



Makita Werkzeug Ges.m.b.H.

Airportstr. 4, 2401 Fischamend

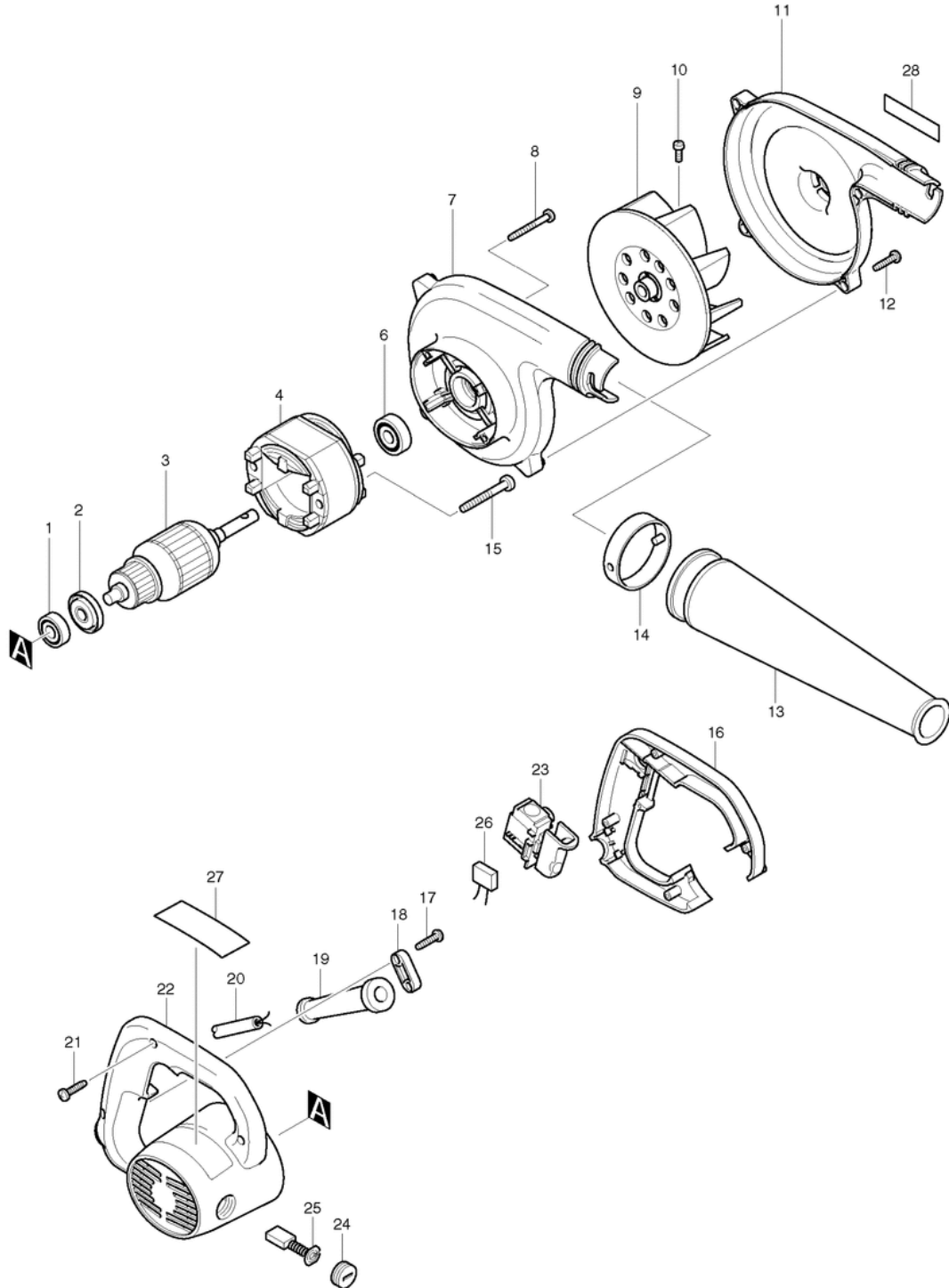
Tel: 02232 / 777 00

Fax: 02232 / 777 00 - 40

Mail: verkauf@makita.at

Web: www.makita.at

Makita Service Information / Model: UB1101





Makita Werkzeug Ges.m.b.H.

Airportstr. 4, 2401 Fischamend

Tel: 02232 / 777 00

Fax: 02232 / 777 00 - 40

Mail: verkauf@makita.at

Web: www.makita.at

Makita Service Information / Model: UB1101

POS	Bestell-Nr.	Artikelbeschreibung	Stk.	Stk.Preis
1	210005-4	LOŽISKO GULIČKOVÉ 608DDW	1	N/A
2	681644-1	IZOLACNA PODLOZKA 681644-1	1	N/A
3	516478-2	ARMATURE ASS'Y 220-240V	1	N/A
3		*** INC. 1,2,6		N/A
4	594438-4	STATOR 220 V UB1101	1	N/A
6	211092-6	LOŽISKO GULIČKOVÉ 629DDW	1	N/A
7	152902-7	FAN HOUSING COMPLETE	1	N/A
8	266053-1	SKRUTKA SAMOREZNÁ 4x35	4	N/A
9	241888-1	KOLESO VENTILÁTORA 110	1	N/A
10	911117-3	SKRUTKA M4x12 UB1101	1	N/A
11	183389-2	FAN COVER	1	N/A
11		*** INC. 28		N/A
11.2	417655-8	FAN COVER	1	N/A
12	265995-6	SKRUTKA SAMOREZNÁ 4x18	4	N/A
13	132025-7	NOZZLE ASS'Y	1	N/A
13		*** INC. 14		N/A
14	414145-2	JOINT	1	N/A
15	266211-9	SKRUTKA IMBUSOVÁ 5x40	2	N/A
16	417657-4	HANDLE COVER	1	N/A
17	265995-6	SKRUTKA SAMOREZNÁ 4x18	2	N/A
18	687063-9	ODLAHCENIE TAHU SNURY	1	N/A
18.2	687123-7	STRAIN RELIEF	1	N/A
19	682502-4	CHRANIC SNURY 8-85	1	N/A
20	666066-6	POWER SUPPLY CORD 1.0-2-2.5	1	N/A
21	265995-6	SKRUTKA SAMOREZNÁ 4x18	4	N/A
22	152903-5	MOTOR HOUSING COMPLETE	1	N/A
23	651298-8	SWITCH TG813AB-1	1	N/A
24	643755-0	HOLDER CAP	2	N/A
25	191963-2	UHLÍKY CB-303	1	N/A
26	645200-1	ODRUSOVACI KONDENZATOR	1	N/A
27	853405-1	NAME PLATE UB1101	1	N/A
28	819063-3	MAKITA LABEL	1	N/A
1001	122321-1	DUST BAG ASS'Y	1	N/A