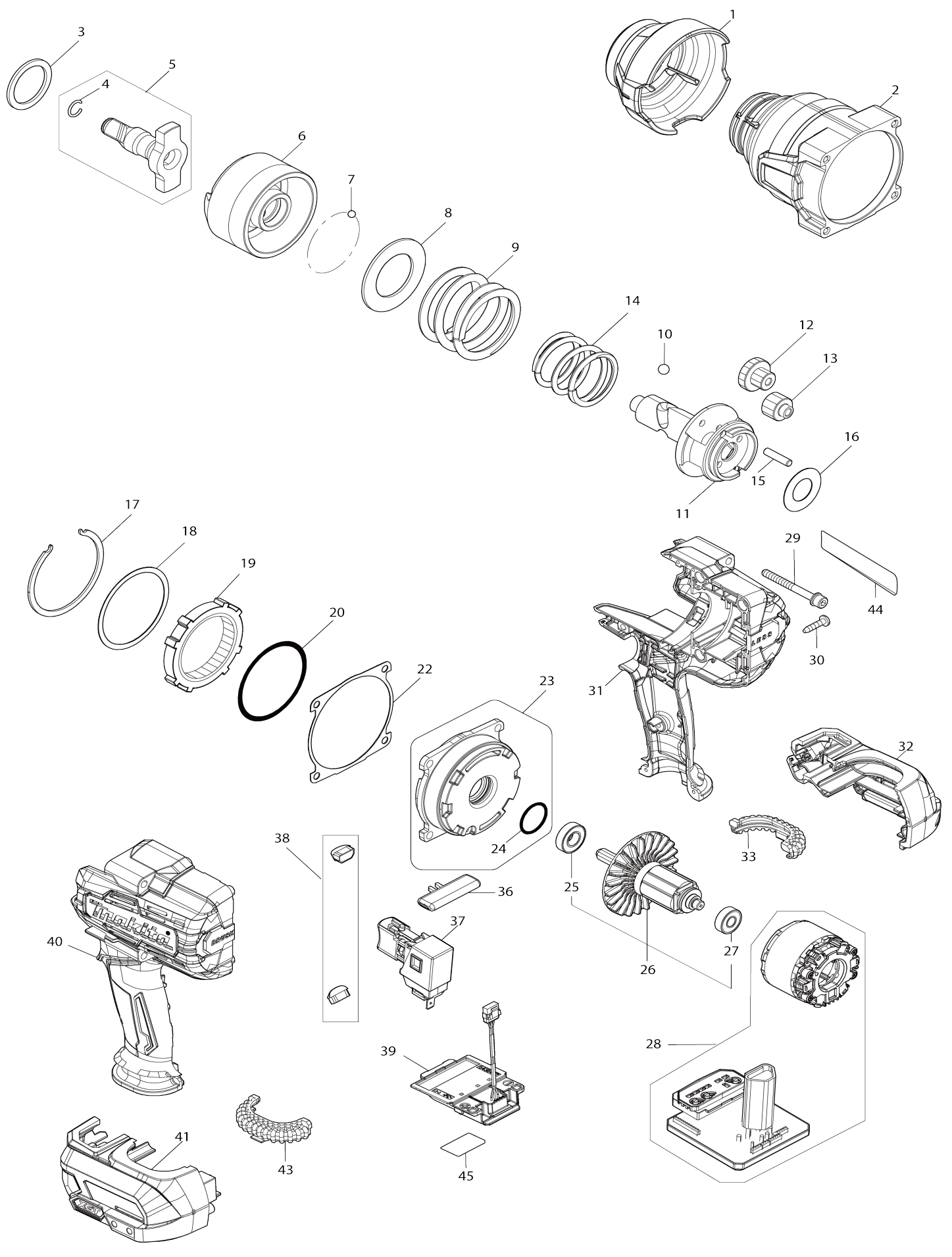


Model No.TW002G CORDLESS IMPACT WRENCH



Model No.TW002G CORDLESS IMPACT WRENCH

Č. pol ožky	Č. dielu	Popis	Zame niteľn osť	Množ.	Nový/ starý	Poznámka 1	Poznámka 2
001	422594-9	BUMPER		1			
002	141V80-0	HAMMER CASE COMPLETE		1			
003	267250-2	FLAT WASHER 30		1			
004	232323-0	RING SPRING 10		1			
005	137152-5	ANVIL W ASS'Y		1			
005		INC. 4					
006	327D63-8	HAMMER		1			
007	216002-8	STEEL BALL 4.8		27			
008	253604-9	FLAT WASHER 35		1			
009	232869-6	COMPRESSION SPRING 46		1			
010	216009-4	STEEL BALL 7.1		2			
011	327D62-0	SPINDLE		1			
012	226990-1	SPUR GEAR 11-22		2			
013	227935-2	SPUR GEAR 15		2			
014	232870-1	COMPRESSION SPRING 34		1			
015	268238-5	PIN 5		4			
016	267235-8	FLAT WASHER 18		1			
017	346947-7	RETAINER		1			
018	253479-6	FLAT WASHER 57		1			
019	226991-9	INTERNAL SPUR GEAR 50		1			
020	213663-5	O RING 55		1			
022	422595-7	GASKET		1			
023	136279-8	INTERNAL GEAR CASE ASS'Y		1			
023		INC. 24					
024	213961-7	O RING 22		1			
025	210069-8	BALL BEARING 6900DDW		1			
026	510604-5	ROTOR ASSY		1			
026		INC. 25,27					
027	210169-4	BALL BEARING 607LLB		1			
028	520195-8	STATOR ASSY 36V		1			
C10	801259-8	SWITCH LABEL		1			
029	265B38-6	H. S. HEAD BOLT M5X50 WITH W RM		4			
030	265995-6	TAPPING SCREW 4X18		9	*		
030-1	265E16-4	TAPPING SCREW 4X18	<	9			
031	1830R8-6	HOUSING SET		1	*		
031		INC. 40			*		
031-1	1831B9-8	HOUSING SET	<	1			
031-1		INC. 40					
032	183S33-5	BATTERY HOUSING SET		1			
C10	263005-3	RUBBER PIN 6		2			
C20	252126-6	HEX. LOCK NUT M4-7		4			
032		INC. 41					
033	422A55-5	CUSHION RUBBER		1			
036	456268-0	F/R CHANGE LEVER		1			
037	141V82-6	SWITCH COMPLETE		1			
C10	424774-3	SWITCH COVER		1			
038	620N85-0	LED CIRCUIT		1			

039	632P49-4	TERMINAL UNIT		1			
040	1830R8-6	HOUSING SET		1	*		
040		INC. 31			*		
040-1	1831B9-8	HOUSING SET	<	1			
040-1		INC. 31					
041	183S33-5	BATTERY HOUSING SET		1			
C10	263005-3	RUBBER PIN 6		2			
C20	252126-6	HEX. LOCK NUT M4-7		4			
041		INC. 32					
043	422A55-5	CUSHION RUBBER		1			
044	8145L6-4	TW002G NAME PLATE		1			
045	8145L8-0	TW002G SERIAL NO. LABEL		1			
A01	251314-2	+ SCREW M4X12		2			
A02	346949-3	HOOK		1			
F01	191G67-2	EXTENSION HANDLE SET		1			

Pri objednávke zadajte číslo dielu.

Dátum tlače 04. 12. 2024