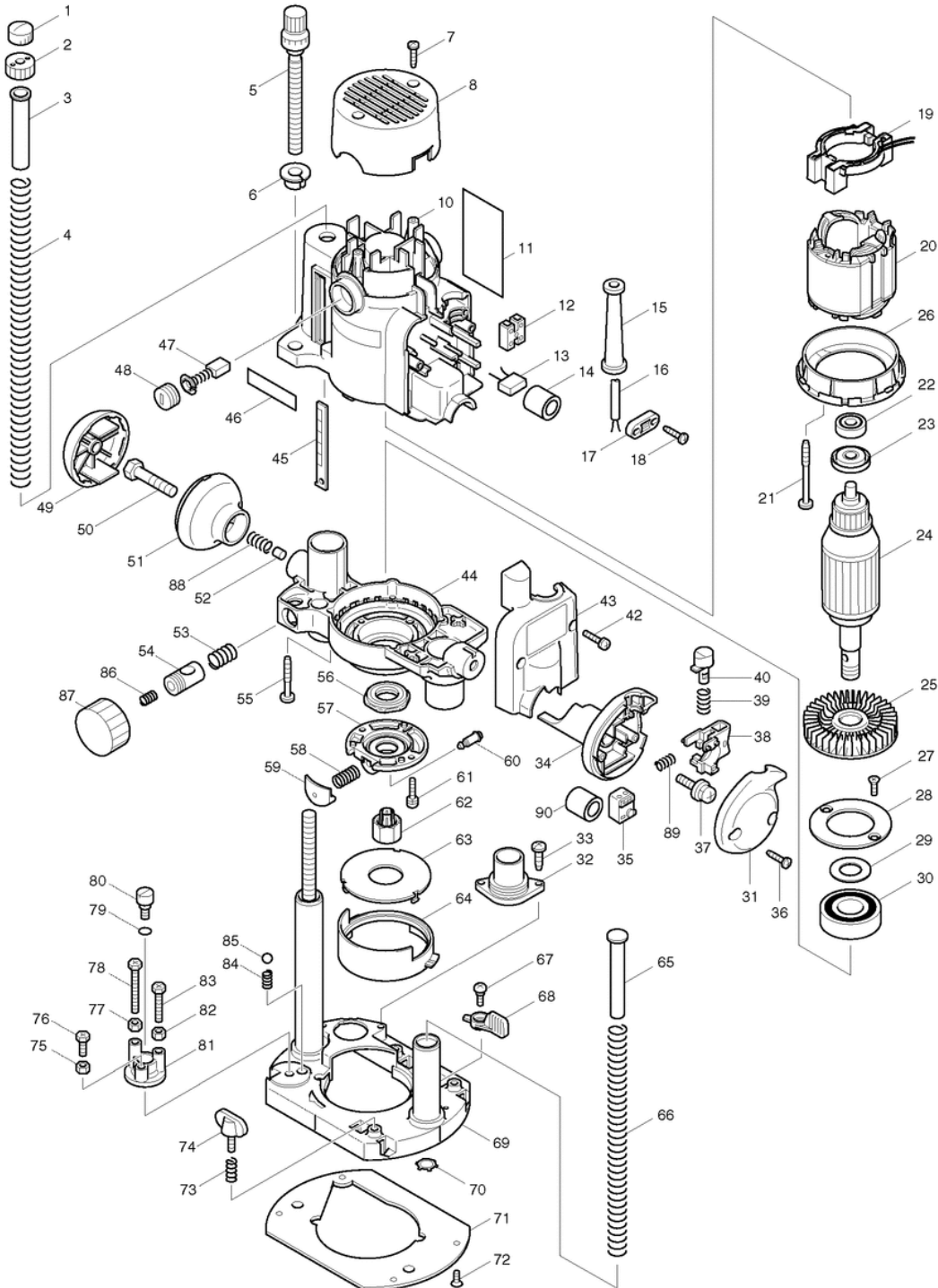




Makita Service Information / Model: RP0910





Makita Werkzeug Ges.m.b.H.

Airportstr. 4, 2401 Fischamend

Tel: 02232 / 777 00

Fax: 02232 / 777 00 - 40

Mail: verkauf@makita.at

Web: www.makita.at

Makita Service Information / Model: RP0910

| POS | Bestell-Nr. | Artikelbeschreibung | Stk. | Stk.Preis |
|------|-------------|------------------------------------|------|-----------|
| 1 | 252643-6 | WING NUT M10 | 1 | N/A |
| 2 | 410129-8 | NYLONOVA MATICA M10 3612,3612C | 1 | N/A |
| 3 | 417320-9 | Silent Pole | 1 | N/A |
| 4 | 233287-1 | COMPRESSION SPRING 13 | 1 | N/A |
| 5 | 265739-4 | THUMB SCREW M10x90 | 1 | N/A |
| 6 | 417247-3 | DEPTH POINTER | 1 | N/A |
| 7 | 265995-6 | SKRUTKA SAMOREZNÁ 4x18 | 2 | N/A |
| 8 | 417239-2 | REAR COVER | 1 | N/A |
| 10 | 152618-4 | KRYT MOTORA KPL. RP0910/1110C | 1 | N/A |
| 11 | 852318-3 | Name Plate RP0910 | 1 | N/A |
| 12 | 654531-7 | SVORKOVNICA HT-345 | 1 | N/A |
| 13 | 645253-0 | ODRUSOVACI KONDENZATOR | 1 | N/A |
| 14 | 685722-9 | FITER 4302C/3620/RP.usw | 1 | N/A |
| 15 | 682559-5 | CHRANIC SNURY 8 | 1 | N/A |
| 15 | 682566-8 | CHRÁNIČ ŠNÚRY 10 HR2450/F/2440F | 1 | N/A |
| 15.2 | 682566-8 | CHRÁNIČ ŠNÚRY 10 HR2450/F/2440F | 1 | N/A |
| 16 | 666855-9 | POWER SUPPLY CORD 1.0-2-4.0 | 1 | N/A |
| 16 | 665890-4 | KÁBEL 1,0-5-4,0 | 1 | N/A |
| 16.2 | 665890-4 | KÁBEL 1,0-5-4,0 | 1 | N/A |
| 17 | 687063-9 | ODLAHCENIE TAHU SNURY | 1 | N/A |
| 17 | 687052-4 | DRŽIAK KÁBLA | 1 | N/A |
| 17.2 | 687052-4 | DRŽIAK KÁBLA | 1 | N/A |
| 18 | 265995-6 | SKRUTKA SAMOREZNÁ 4x18 | 2 | N/A |
| 19 | 638001-4 | DRŽIAK STATORA RP0910 | 1 | N/A |
| 20 | 634368-8 | STATOR RP 0910 | 1 | N/A |
| 21 | 266095-5 | SKRUTKA 5X55 | 2 | N/A |
| 22 | 210005-4 | LOŽISKO GULIČKOVÉ 608DDW | 1 | N/A |
| 23 | 681651-4 | IZOLACNA PODLOZKA HM1100/RP0910 | 1 | N/A |
| 24 | 516403-3 | KOTVA UPLNA RP0910 | 1 | N/A |
| 24 | | *** INC. 22,23,25 | | N/A |
| 25 | 240034-3 | KOLESO VENTILÁTORA 70 RP0910/1110C | 1 | N/A |
| 26 | 413078-8 | BAFFLE PLATE | 1 | N/A |
| 27 | 251295-0 | SKRUTKA M4x14 | 2 | N/A |
| 28 | 285657-0 | DRŽIAK LOŽISKA 3600NB/RP0910/1110 | 1 | N/A |
| 29 | 267114-0 | PODLOŽKA 17 8412DW/RP0910/1110 | 1 | N/A |
| 30 | 211278-2 | LOŽISKO GULIČKOVÉ 6203DDW | 1 | N/A |
| 31 | 417251-2 | KRYTKA RÚČKY (R) RP0910/1110C | 1 | N/A |
| 32 | 417256-2 | Nozzle Joint | 1 | N/A |
| 33 | 266034-5 | SKRUTKA SAMOREZNÁ CT 4x16 | 2 | N/A |
| 34 | 417250-4 | KRYTKA R RP0910/1110C | 1 | N/A |



Makita Werkzeug Ges.m.b.H.

Airportstr. 4, 2401 Fischamend

Tel: 02232 / 777 00

Fax: 02232 / 777 00 - 40

Mail: verkauf@makita.at

Web: www.makita.at

Makita Service Information / Model: RP0910

| POS | Bestell-Nr. | Artikelbeschreibung | Stk. | Stk.Preis |
|------|-------------|-----------------------------------|------|-----------|
| 35 | 651834-0 | VYPINAČ SP115C UH4500/RP | 1 | N/A |
| 36 | 265995-6 | SKRUTKA SAMOREZNÁ 4x18 | 2 | N/A |
| 37 | 911333-7 | SKRUTKA M6x20 | 1 | N/A |
| 38 | 417254-6 | TLAČITKO VYPINAČA RP0910/1110C | 1 | N/A |
| 39 | 233288-9 | PRUŽINA PRÍTLAČNÁ 8 RP0910/1110C | 1 | N/A |
| 40 | 417255-4 | ODIŠŤOVACIE TLAČITKO RP0910/1110C | 1 | N/A |
| 42 | 911133-5 | SKRUTKA M4x18 | 2 | N/A |
| 43 | 417241-5 | COVER | 1 | N/A |
| 44 | 152619-2 | KRYT LOŽISKA RP0910/1110C | 1 | N/A |
| 45 | 816792-9 | SCALE PLATE | 1 | N/A |
| 46 | 819063-3 | MAKITA LABEL | 1 | N/A |
| 47 | 191963-2 | UHLÍKY CB-303 | 1 | N/A |
| 48 | 643750-0 | VIECKO DRZIAKA UHLIKOV | 2 | N/A |
| 49 | 417249-9 | KNOB COVER | 1 | N/A |
| 50 | 265479-4 | SKRUTKA ŠEŠŤHRANNÁ M8x35 RP- | 1 | N/A |
| 51 | 417248-1 | KRYTKA RP0910/1110C | 1 | N/A |
| 52 | 323856-7 | VALČEK RP0910/1110C | 1 | N/A |
| 53 | 231231-2 | PRUŽINA 12 | 1 | N/A |
| 54 | 323858-3 | HALF NUT | 1 | N/A |
| 54 | 153476-1 | HALF NUT COMPLETE | 1 | N/A |
| 54.2 | 153476-1 | HALF NUT COMPLETE | 1 | N/A |
| 55 | 266012-5 | SKRUTKA SAMOREZNÁ 5x35 9069 | 4 | N/A |
| 56 | 285701-3 | ZAISŤ.MATICA RP0910/1110C | 1 | N/A |
| 57 | 317365-6 | VIEČKO DRZIAKA RP0910/1110 | 1 | N/A |
| 58 | 233072-2 | PRUŽINA PRÍTLAČNÁ 8 9522NB | 1 | N/A |
| 59 | 417253-8 | TLACIDLO RP0910/1110C | 1 | N/A |
| 60 | 256437-1 | KOLÍK 4 9521NB/9522NB/RP | 1 | N/A |
| 61 | 911133-5 | SKRUTKA M4x18 | 2 | N/A |
| 62 | 193178-7 | COLLET CONE 8 ASS'Y | 1 | N/A |
| 63 | 417246-5 | DUST GUIDE CAP | 1 | N/A |
| 64 | 417245-7 | DUST GUIDE | 1 | N/A |
| 65 | 417252-0 | DORAZ HLĚBKOVÝ RP0910/1110C | 1 | N/A |
| 66 | 233286-3 | COMPRESSION SPRING 11 | 1 | N/A |
| 67 | 265028-7 | SKRUTKA M4x11 265028-7 | 1 | N/A |
| 68 | 417257-0 | LOCK LEVER | 1 | N/A |
| 69 | 152617-6 | DOSKA ZÁKL. RP0910/1110C | 1 | N/A |
| 70 | 259037-6 | SELF LOCK 16 | 1 | N/A |
| 71 | 413079-6 | ZAKL.DOSKA RP0910/1110C 683 | 1 | N/A |
| 72 | 912112-6 | SKRUTKA SO ZAPUS. HLAVOU M4x10 | 4 | N/A |
| 73 | 231240-1 | PRUŽINA 7 | 3 | N/A |



Makita Werkzeug Ges.m.b.H.

Airportstr. 4, 2401 Fischamend

Tel: 02232 / 777 00

Fax: 02232 / 777 00 - 40

Mail: verkauf@makita.at

Web: www.makita.at

Makita Service Information / Model: RP0910

| POS | Bestell-Nr. | Artikelbeschreibung | Stk. | Stk.Preis |
|--------|-------------|----------------------------------|------|-----------|
| 74 | 265740-9 | SKRUTKA ZAISTOVACIA M5x15 | 3 | N/A |
| 74 | 265720-5 | SKRUTKA KRÍDLOVÁ M5x14 | 3 | N/A |
| 74.2 | 265720-5 | SKRUTKA KRÍDLOVÁ M5x14 | 3 | N/A |
| 75 | 931202-6 | Skrutka M5 | 1 | N/A |
| 76 | 265333-2 | SKRUTKA M5x16 | 1 | N/A |
| 76.2 | 265586-3 | +HEX. BOLT M5x14 | 1 | N/A |
| 77 | 931202-6 | Skrutka M5 | 1 | N/A |
| 78 | 265336-6 | SKRUTKA M4x40 | 1 | N/A |
| 78.2 | 265587-1 | +HEX. BOLT M5x20 | 1 | N/A |
| 79 | 213030-4 | O-KRÚŽOK 8 RP0910/1110C | 1 | N/A |
| 80 | 251467-7 | - FLAT HEAD SCREW M6 | 1 | N/A |
| 81 | 315931-3 | STOPPER | 1 | N/A |
| 82 | 931202-6 | Skrutka M5 | 1 | N/A |
| 83 | 265335-8 | SKRUTKA M5x28 | 1 | N/A |
| 83.2 | 265587-1 | +HEX. BOLT M5x20 | 1 | N/A |
| 84 | 231419-4 | PRUŽINA PRÍTLAČNÁ 5 | 1 | N/A |
| 85 | 216009-4 | GULKA OCEĽOVÁ 7,1 6906/3620/RP | 1 | N/A |
| 86 | 231419-4 | PRUŽINA PRÍTLAČNÁ 5 | 1 | N/A |
| 87 | 252644-4 | MATICA KRÍDLOVÁ M14 | 1 | N/A |
| 88 | 233288-9 | PRUŽINA PRÍTLAČNÁ 8 RP0910/1110C | 1 | N/A |
| 89 | 233127-3 | PRUŽINA PRÍTLAČNÁ 7 RP0910/1110C | 1 | N/A |
| 90 | 685722-9 | FITER 4302C/3620/RP.usw | 1 | N/A |
| 1001 | 122609-9 | NOZZLE ASS'Y | 1 | N/A |
| 1002 | 164834-6 | STRAIGHT GUIDE | 1 | N/A |
| 1003 | 122615-4 | DUST NOZZLE ASS'Y | 1 | N/A |
| 1004 | 344904-9 | TEMPLET GUIDE 12 | 1 | N/A |
| 1005 | 781008-0 | WRENCH 17 | 1 | N/A |
| 1006 | 781213-9 | WRENCH 8 | 1 | N/A |
| 1007 | 915111-7 | BINDING HEAD SCREW M4X10 | 2 | N/A |
| 1008 | 821550-0 | CONNECTOR PLASTIC CASE (TYPE2) | 1 | N/A |
| 1008.2 | 821550-0 | CONNECTOR PLASTIC CASE (TYPE2) | 1 | N/A |
| 1009 | 837660-3 | INNER TRAY | 1 | N/A |
| 1010 | 801F27-7 | RP0910J INDICATION LABEL | 1 | N/A |
| 1011 | 801F28-5 | RP0910J PLASTIC CASE LABEL | 2 | N/A |
| 5003 | 654205-0 | EARTH TERMINAL | 1 | N/A |
| 5004 | 654501-6 | KONEKTOR P-1,25 | 1 | N/A |