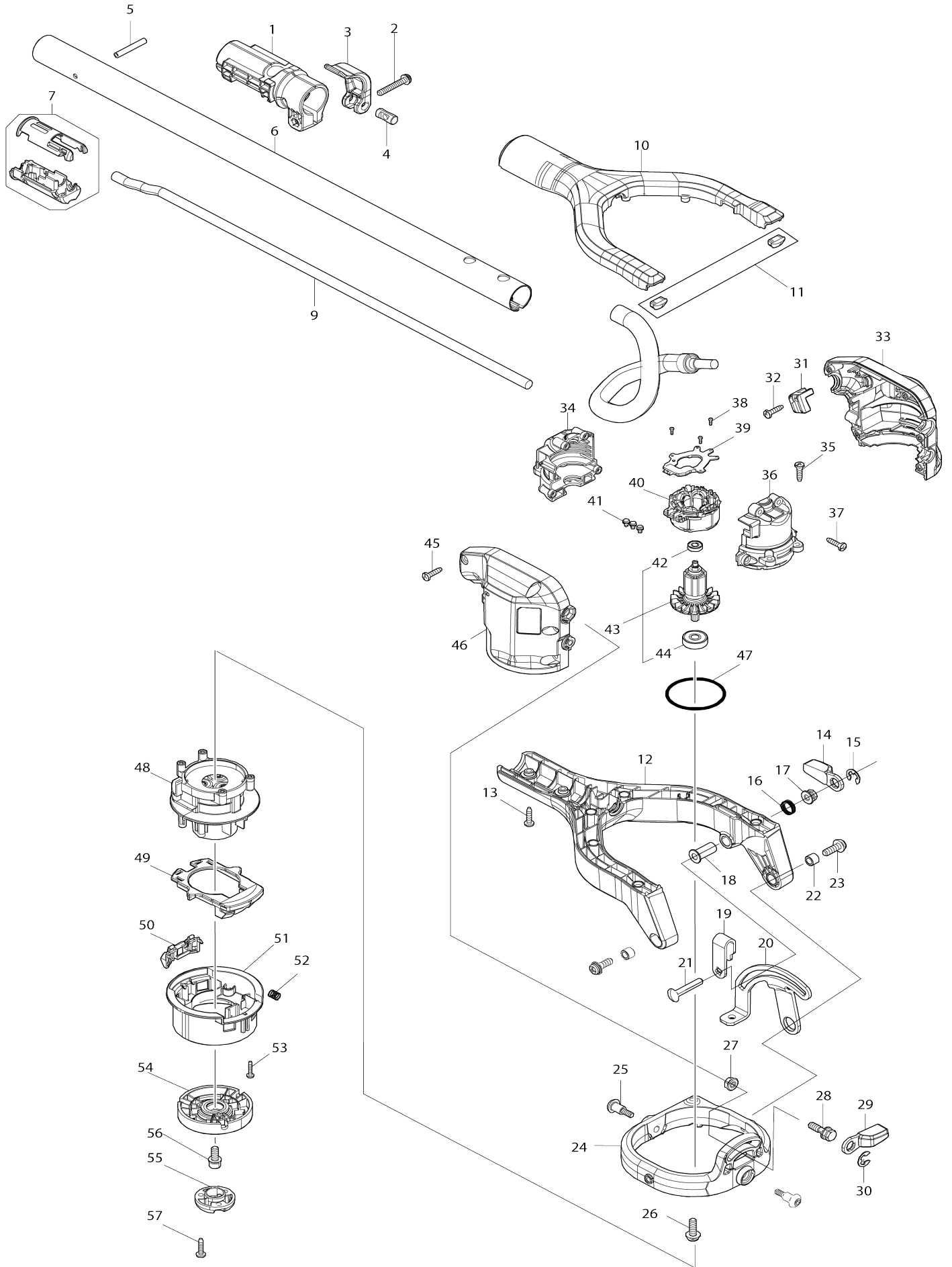
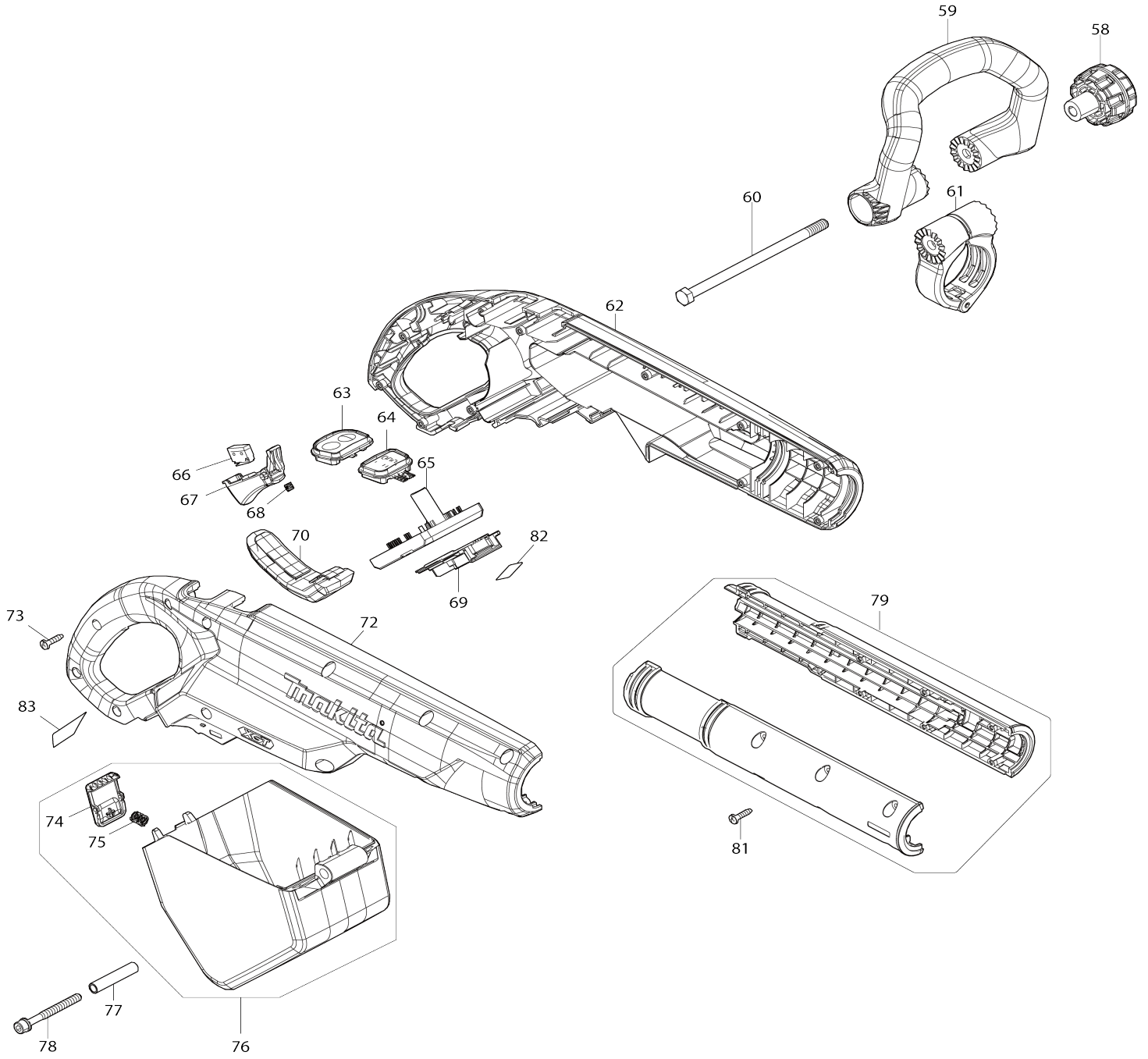


# Model No.PS001G CORDLESS POLISHER SCRUBBER



# Model No.PS001G CORDLESS POLISHER SCRUBBER



**Model No.PS001G CORDLESS POLISHER SCRUBBER**

Č. pol ožky	Č. dielu	Popis	Zame niteľn osť	Množ.	Nový/ starý	Poznámka 1	Poznámka 2
001	4131A8-2	SLEEVE		1			
002	265D91-4	P.H.SCREW M5X35 WITH WR		1			
003	4131A9-0	LEVER		1			
004	327E33-3	PIN9		1			
005	951175-7	Pružinový čap 5-36		1			
006	327E32-5	PIPE 28		1			
007	1830Y7-7	CORD HOLDER SET		1			
009	699251-6	POWER SUPPLY CORD UNIT		1			
010	1830Y9-3	ARM SET		1			
010		INC. 12					
011	620N28-2	LED CIRCUIT		1			
012	1830Y9-3	ARM SET		1			
012		INC. 10					
013	265D95-6	TAPPING SCREW 4X18		8			
014	271483-3	LEVER 39		1			
015	259095-2	STOP RING E-8		1			
016	232908-2	TORSION SPRING 13		1			
017	252351-9	HEX. NUT M6		1			
018	257A52-0	COLLARED SLEEVE 6		1			
019	347D09-8	FIX PLATE		1			
020	347D08-0	ADJUST PLATE		1			
021	265D90-6	R.H SQUARE NECK BOLT M6X35		1			
022	257A53-8	SLEEVE 6		2			
023	265D92-2	P.H.SCREW M6X20 WITH WG		2			
024	312H45-7	FRAME		1			
025	265D88-3	HEX SOCKET BUTTON H BOLT M 8X22		2			
026	265D92-2	P.H.SCREW M6X20 WITH WG		1			
027	252348-8	FLANGE NUT M6		1			
028	265D89-1	HEX.BOLT M6X20		1			
029	271483-3	LEVER 39		1			
030	259095-2	STOP RING E-8		1			
031	687261-5	Svorka kábla		1			
032	265D95-6	TAPPING SCREW 4X18		1			
033	1831C1-1	HEAD COVER SET		1			
C10	8081H1-2	CAUTION LABEL		1			
033		INC. 46					
034	1830Y6-9	MOTOR HOUSING SET		1			
034		INC. 36					
035	265D95-6	TAPPING SCREW 4X18		4			
036	1830Y6-9	MOTOR HOUSING SET		1			
036		INC. 34					
037	265D95-6	TAPPING SCREW 4X18		4			
038	266490-9	Samozávrtná skrutka s plochou hlavou 2X6		3			
039	620N29-0	CONTROLLER B		1			
040	629C80-1	STATOR		1			
041	652069-6	Skrutka s plochou hlavou M3X6		3			
042	210039-7	Gulôčkové ložisko 695DDW		1			

043	519870-1	ROTOR ASS'Y		1		
043		INC. 42,44				
044	210023-2	Gulôčkové ložisko 627DDW		1		
045	265D95-6	TAPPING SCREW 4X18		6		
046	1831C1-1	HEAD COVER SET		1		
C10	8081H1-2	CAUTION LABEL		1		
046		INC. 33				
047	213A01-7	O-RING 50		1		
048	122G86-7	GEAR ASSEMBLY		1		
049	4131C4-4	HOOK A		1		
050	4131C6-0	HOOK B		1		
051	4131C5-2	HOOK COVER		1		
052	232904-0	COMPRESSION SPRING 8		1		
053	265D96-4	TAPPING SCREW 3X16		4		
054	4131C0-2	ADAPTER		1		
055	4131C1-0	CAP36		1		
056	265D93-0	H.S.H.BOLT M6X16 WITH WG		1		
057	265D95-6	TAPPING SCREW 4X18		3		
058	252349-6	THUMB NUT M8		1		
059	4131C2-8	FRONT HANDLE		1		
060	265D87-5	HEX. BOLT M8X150		1		
061	1410A7-5	HANDLE BASE 50 COMPLETE		1		
062	1830Y1-9	HANDLE SET		1		
C10	263005-3	Gumený čap 6		2		
062		INC. 72				
063	141D66-6	Obvod spínača/spínací obvod úp lly E		1		
064	1410B1-4	INDICATION CIRCUIT COMPLETE		1		
065	620N27-4	CONTROLLER		1		
066	632V96-1	SWITCH UNIT		1		
067	4131A7-4	SWITCH LEVER		1		
068	232485-4	Prítlačná pružina 5		1		
069	632P49-4	Jednotka svorkovnice		1		
070	422B90-9	RUBBER GUARD		1		
072	1830Y1-9	HANDLE SET		1		
C10	263005-3	Gumený čap 6		2		
072		INC. 62				
073	265D95-6	TAPPING SCREW 4X18		12		
074	4131C3-6	COVER HOOK		1		
075	232904-0	COMPRESSION SPRING 8		1		
076	137207-6	BATTERY COVER L ASS'Y		1		
076		INC. 74,75				
077	257A54-6	SLEEVE 6		1		
078	265D94-8	HEX. SOCKET HEAD BOLT M6X60 WI		1		
079	1831A0-9	PIPE HOUSING SET		1		
081	265D95-6	TAPPING SCREW 4X18		6		
082	8147Y3-3	PS001G SERIAL NO. LABEL		1		
083	8147X7-8	PS001G NAME PLATE		1		
A01	1914T1-4	BRUSH 190 MEDIUM SET		1		
A02	122H58-8	SPLASH GUARD ASSEMBLY		1		
A03	1914S4-1	PAD HOLDER 175 SET		1		

A04	1914S5-9	FLOOR PAD 200 WHITE SET		1			
A05	1914S6-7	FLOOR PAD 200 RED SET		1			
A06	1914S7-5	FLOOR PAD 200 BLUE SET		1			
A07	1915D1-8	ACCESSORY BAG SET		1			
F01	1914S4-1	PAD HOLDER 175 SET		1			
F02	1914S5-9	FLOOR PAD 200 WHITE SET		1			
F03	1914S6-7	FLOOR PAD 200 RED SET		1			
F04	1914S7-5	FLOOR PAD 200 BLUE SET		1			
F05	1914S8-3	FLOOR PAD 200 BROWN SET		1			
F06	1914S9-1	FLOOR PAD 200 BLACK SET		1			
F07	1914T0-6	BRUSH 190 SOFT SET		1			
F08	1914T1-4	BRUSH 190 MEDIUM SET		1			
F09	1914T2-2	BRUSH 190 HARD SET		1			
F10	1914T3-0	BRUSH 190 ABRASIVE SET		1			
F11	1915D1-8	ACCESSORY BAG SET		1			

Pri objednávke zadajte číslo dielu.

Dátum tlače 16. 01. 2025