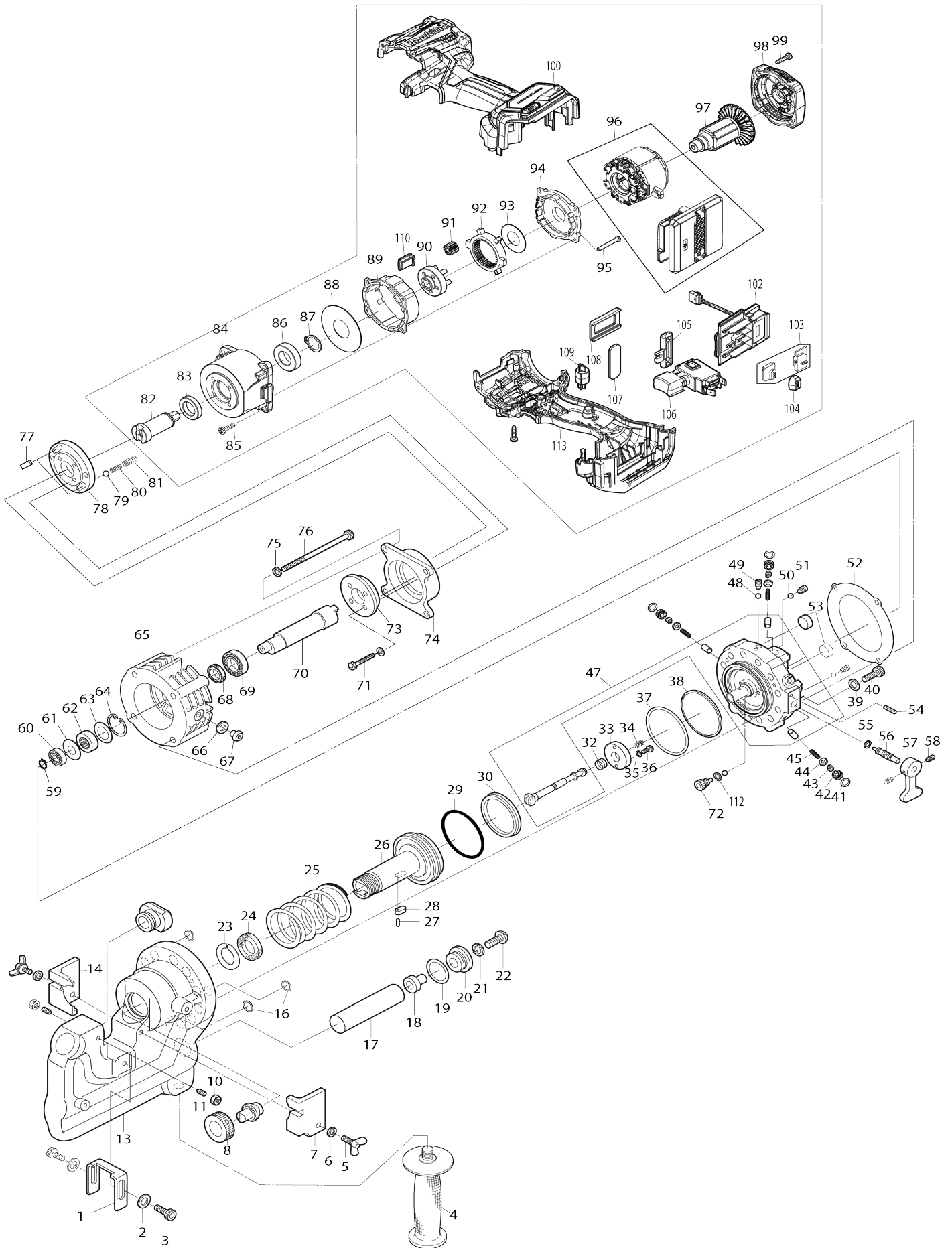


Model No. PP001G CORDLESS HOLE PUNCHER



Model No.PP001G CORDLESS HOLE PUNCHER

Item No.	Parts No.	Description	Interchangability	Q'ty	New/Old	Note1	Note2
001	SC03505970	SLIDE STOPPPER		1			
002	941101-4	FLAT WASHER 5		2			
003	SC00000059	HEX. SOCKET HEAD BOLT M5X12		2			
004	SC00000155	GRIP M14		1			
005	SC07552000	WING BOLT M6X15		2			
006	SC07610040	WASHER SW6		2			
007	SC03303570	STRIPPER R		1			
008	SC03505320	PUNCH RETAINING NUT		1			
010	931301-4	HEX. NUT M6		2			
011	913327-8	SET SCREW (CONE POINT) M6X16		2			
013	SC03103740	C FRAME COMPLETE		1			
014	SC03302580	STRIPPER L		1			
016	SC06506010	O RING P8		3			
017	SC09004910	OIL LEVELER SACK		1			
018	SC03507000	BUSHING		1			
019	SC06505320	O RING P26		1			
020	SC03507010	BUSHING HOLDER		1			
021	SC00000065	SPRING WASHER 8		1			
022	SC00000034	SPECIAL PAN HEAD SCREW M8X20		1			
023	SC06503640	BACK UP RING		1			
024	SC06505880	SKY PACKING		1			
025	SC04000370	RETURN SPRING FOR CUTTER ROD		1			
026	SC03110760	PUNCHING ROD		1			
027	SC00000070	SPRING PIN 2.5X10		1			
028	SC03700020	KEY		1			
029	SC06505510	O RING S67		1			
030	SC00000096	ROD PACKING		1			
032	SC04005170	VALVE RETURN SPRING		1			
033	SC03500690	STOPPER PLATE		1			
034	SC04004170	RELEASE BULB SPRING		1			
035	SC00000068	FLAT WASHER 4		6			
036	SC00000060	HEX. SOCKET HEAD BOLT 4X6		2			
037	SC06505190	O RING G65		1			
038	SC06503630	BACK UP RING G65		1			
039	SC07620040	WASHER HW8		12			
040	SC07514130	HEX. SOCKET HEAD BOLT M8X22		12			
041	SC06505590	O RING S-8		3			
042	SC03500540	METAL PACKING		3			
043	SC00000468	SPRING #43449N2		3			
044	SC00000464	CHECK VALVE #T43445		3			
045	SC00000022	PISTON RETURN SPRING		3			
047	SC09050360	CYLINDER,PISTON & VALVE SET		1			
048	SC07900010	STEEL BALL S4		6	*		
048-1	SC07900010	STEEL BALL S4	O	7			
049	SC07523040	HEX.SOCKET SET SCREW M5X5		6			

050	SC07900000	STEEL BALL 3		3		
051	SC07521010	HEX.SOCKET SET SCREW M4X4		3		
052	SC04601600	LINER B		1		
053	SC00000020	MAGNET		2		
054	951116-3	SPRING PIN 4-20		1		
055	SC00000158	O RING P4		1		
056	SC00000146	RETURN VALVE		1		
057	SC00000147	RETURN LEVER		1		
058	913301-6	SET SCREW (CUP POINT) M6X6		2		
059	SC07411250	CIRCLIP STW5		1		
060	SC07100050	BALL BEARING 698		1		
061	SC03301350	WASHER B		1		
062	SC07201030	NEEDLE BEARING		1		
063	SC03301340	WASHER A		1		
064	SC07411330	RETAINING RING H25		1		
065	SC03211330	PUMP CASE		1		
066	SC00000489	SEAL WASHER		1		
067	SC07550510	T50 BUTTON HEAD BOLT M10X1 5		1		
068	SC06504050	OIL SEAL UE15257		1		
069	SC00000050	BALL BEARING 6002RU		1		
070	SC03501070	CRANK SHAFT		1		
071	SC07511070	HEX. SOCKET HEAD BOLT M4X25		4		
072	SC03513230	SEAL BOLT		1		
073	SC03251180	FLANGE		1		
074	SC03251320	SPACER		1		
075	SC07610030	SPRING WASHER 5		4		
076	SC07512130	HEX. SOCKET HEAD BOLT M5X65		4		
077	SC04007990	LEAF SPRING		2		
078	SC03252560	FLANGE FOR MOTOR		1		
079	SC07900080	STEEL BALL D6		2		
080	SC04007970	POSITION SPRING B		2		
081	SC04007960	POSITION SPRING A		2		
082	327B59-7	SPINDLE		1		
083	211233-4	BALL BEARING 6802LLB		1		
084	312D97-4	GEAR HOUSING		1		
085	266326-2	TAPPING SCREW 4X18		4		
086	211234-2	BALL BEARING 6902LLB		1		
087	961055-9	RETAINING RING S-15		1		
088	253577-6	FLAT WASHER 15		1		
089	412367-8	GEAR CASE		1		
090	141P06-6	CARRIER COMPLETE		1		
091	227A51-6	SPUR GEAR 13		5		
092	227A50-8	INTERNAL GEAR 41		1		
093	253465-7	FLAT WASHER 13		1		
094	412368-6	MOTOR BRACKET		1		
095	911047-8	P.H.SCREW M3X25		4		
096	629B35-0	STATOR COMPLETE		1		
097	619655-6	ROTOR		1		
098	412361-0	REAR COVER		1		
099	266130-9	TAPPING SCREW BIND PT 3X16		11		
100	1830K2-9	HOUSING SET		1		

C10	263005-3	RUBBER PIN 6		2		
C20	252126-6	HEX. LOCK NUT M4-7		2		
C30	422569-8	SPONGE SHEET		2		
100		INC. 113				
102	632P49-4	TERMINAL UNIT		1		
103	620C81-2	SENSOR CIRCUIT		1		
104	620549-0	LED CIRCUIT		1		
105	413R94-8	LOCK LEVER		1		
106	651443-5	SWITCH C3JR-4B		1		
107	8063D5-2	MASKING LABEL		1		
108	413P19-0	COVER A		1		
109	413P20-5	COVER B		1		
110	413P38-6	COVER C		1		
112	SC07610030	SPRING WASHER 5		1		
113	1830K2-9	HOUSING SET		1		
C10	263005-3	RUBBER PIN 6		2		
C20	252126-6	HEX. LOCK NUT M4-7		2		
C30	422569-8	SPONGE SHEET		2		
113		INC. 100				
A02	SC03505300	NUT RETAINING BAR		1		
A03	SC00000103	HEX KEY WRENCH 3		1		
A04	SC00000104	HEX KEY WRENCH 4		1		
A06	SC00000166	WRENCH 8-10		1		
A07	SC09009190	PLASTIC CASE SET		1		
A08	SC08018050	PLASTIC CASE LABEL		1		
A09	SC05340120	PUNCH 14		1		
A10	SC00000219	DIE SB-14		1		

Please state Parts No. when your order.

Print Date 06. 11. 2024