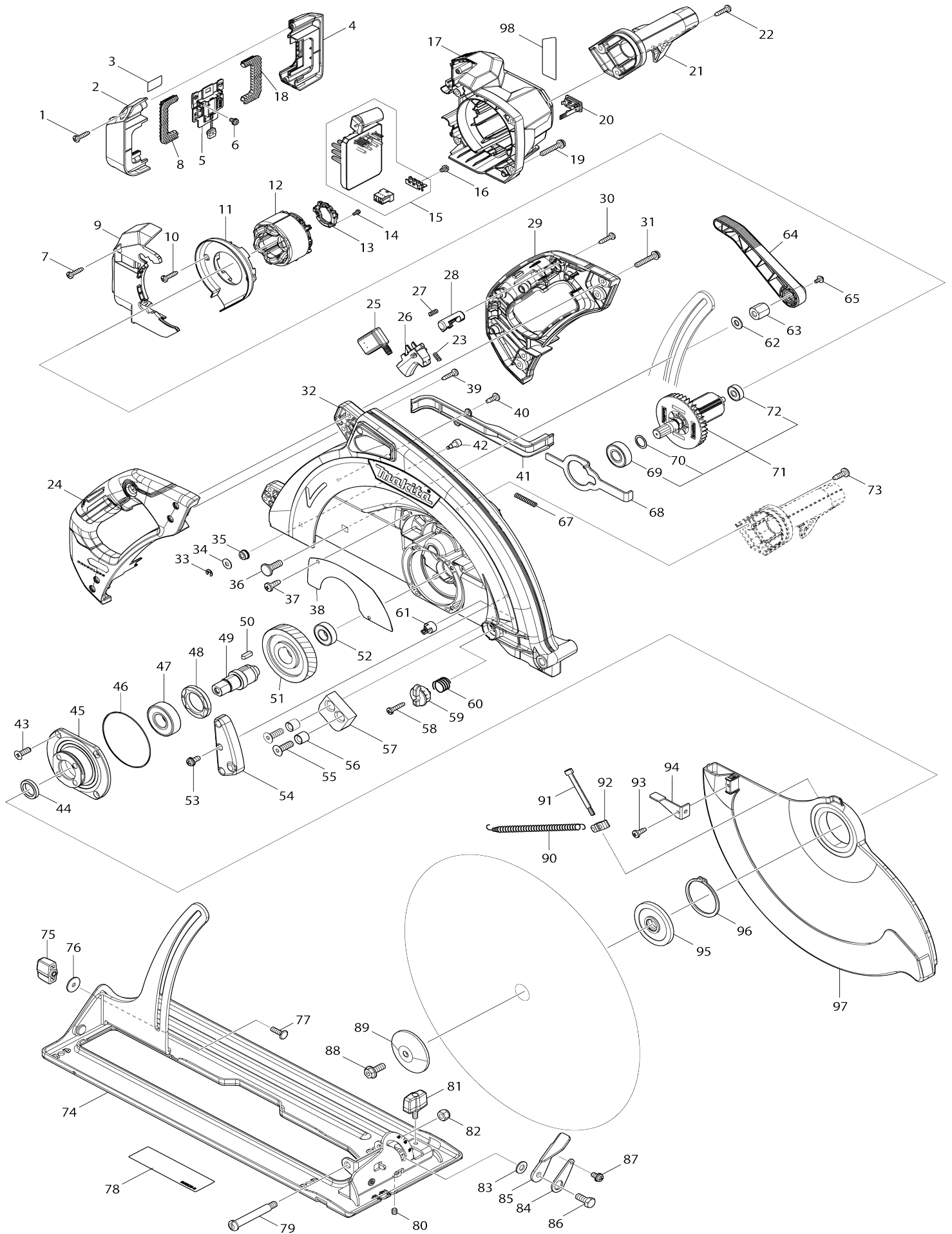


# Model No.HS013G 415MM CORDLESS CIRCULAR SAW



Model No.HS013G 415MM CORDLESS CIRCULAR SAW

Item No.	Parts No.	Description	Interchangeability	Q'ty	New/Old	Note1	Note2
001	266326-2	TAPPING SCREW 4X18		2			
002	1830Y4-3	BATTERY HOUSING SET		1			
C10	263005-3	RUBBER PIN 6		2			
002		INC. 4					
003	8147S0-7	HS013G SERIAL NO. LABEL		1			
004	1830Y4-3	BATTERY HOUSING SET		1			
C10	263005-3	RUBBER PIN 6		2			
004		INC. 2					
005	632T08-2	TERMINAL UNIT		1			
006	652031-1	PAN HEAD SCREW M3X6		2			
007	266326-2	TAPPING SCREW 4X18		2			
008	422543-6	CUSHION RUBBER		1			
009	4131E9-8	MOTOR HOUSING COVER		1			
010	266326-2	TAPPING SCREW 4X18		2			
011	4131F2-9	BAFFLE PLATE		1			
012	629C86-9	STATOR		1			
013	632R96-7	SENSOR UNIT		1			
014	652119-7	PAN HEAD SCREW M2X6		3			
015	620R04-0	CONTROLLER		1			
016	652069-6	FLAT HEAD SCREW M3X6		3			
017	4131E8-0	MOTOR HOUSING		1			
018	422543-6	CUSHION RUBBER		1			
019	911253-5	PAN HEAD SCREW M5X30		4			
020	140F99-0	CAP COMPLETE		1			
C10	213A05-9	O-RING16		1			
021	4131F0-3	FRONT HANDLE		1			
022	266045-0	TAPPING SCREW 4X20		2			
023	231433-0	COMPRESSION SPRING 4		1			
024	1830Y5-1	HANDLE SET		1			
C10	931202-6	HEX. NUT M5		4			
024		INC. 29					
025	651083-9	SWITCH C3XA-1PSPM		1			
026	459829-5	SWITCH LEVER		1			
027	231433-0	COMPRESSION SPRING 4		1			
028	419704-7	LOCK OFF BUTTON		1			
029	1830Y5-1	HANDLE SET		1			
C10	931202-6	HEX. NUT M5		4			
029		INC. 24					
030	266326-2	TAPPING SCREW 4X18		4			
031	911253-5	PAN HEAD SCREW M5X30		4			
032	137229-6	BLADE CASE ASS'Y		1			
C10	263005-3	RUBBER PIN 6		1			
033	961017-7	STOP RING E-3		1			
034	267099-0	FLAT WASHER 4		1			
035	262104-8	SHOULDER RING 4		1			
036	266249-4	CAP SQUARE NECK BOLT M8X24		1			
037	266026-4	TAPPING SCREW BIND CT 4X12		2			

038	344891-2	COVER PLATE		1		
039	266326-2	TAPPING SCREW 4X18		2		
040	266026-4	TAPPING SCREW BIND CT 4X12		2		
041	417276-6	LEAD COVER		1		
042	266289-2	HEX. SOCKET HEAD BOLT M6		1		
043	265034-2	+ COUNTERSUNK HEAD SCREW M5X16		4		
044	257230-6	RING 20		1		
045	317378-7	BEARING BOX		1		
046	213763-1	O RING 75		1		
047	211329-1	BALL BEARING 6204DDW		1		
048	285824-7	BEARING RETAINER 31-48		1		
049	323938-5	SPINDLE		1		
050	254229-2	KEY 5		1		
051	227B85-5	HELICAL GEAR 61		1		
052	211247-3	BALL BEARING 6002DDW		1		
053	911113-1	PAN HEAD SCREW M4X10 WITH WR		1		
054	417282-1	STOPPER PLATE		1		
055	251973-2	HEX.SOCKET C.S.HEAD BOLT M8 X25		2	*	
055-1	251973-2	HEX.SOCKET C.S.HEAD BOLT M8 X25	O	2		
056	257720-9	SLEEVE 8		2		
057	421820-3	RUBBER CUSHION		1		
058	266045-0	TAPPING SCREW 4X20		1		
059	417279-0	LOCK LEVER		1		
060	233272-4	COMPRESSION SPRING 16		1		
061	417280-5	STOPPER PIN		1		
062	941201-0	FLAT WASHER 8		1		
063	252352-7	HEX.NUT M8-17		1		
064	4131F1-1	DEPTH LEVER		1		
065	911114-9	PAN HEAD SCREW M4X10		1		
067	233264-3	COMPRESSION SPRING 5		1		
068	344890-4	SHAFT LOCK		1		
069	211228-7	BALL BEARING 6202DDW		1		
070	253147-1	FLAT WASHER 15		1		
071	519883-2	ROTOR ASS'Y		1		
071		INC. 69,70,72				
072	210045-2	BALL BEARING 627DDW		1		
073	266027-2	TAPPING SCREW CT5X16		2		
074	163498-3	BASE		1		
075	252624-0	WING NUT M6		1		
076	253010-8	FLAT WASHER 6		1		
077	251919-8	CAP SQUARE NECK BOLT M6X20		1		
078	8081C5-9	INDICATION LABEL		1		
079	251405-9	- SHOULDER PAN HEAD SCREW M8		1	*	
079-1	251405-9	- SHOULDER PAN HEAD SCREW M8	O	1		
080	266208-8	H.S.SET SCREW(CUP POINT)M6X8		1		
081	251858-2	THUMB SCREW M6X15		1		
082	252105-4	HEX. LOCK NUT M8-13		1		

083	941201-0	FLAT WASHER 8		1		
084	341415-5	LOCK PLATE		1		
085	344980-3	LEVER PLATE		1		
086	921432-7	HEX. BOLT M8X20		1		
087	911108-4	PAN HEAD SCREW M4X8		1		
088	266283-4	HEX. SOCKET HEX. BOLT M8X20		1		
089	224310-3	OUTER FLANGE 65		1		
090	231826-1	TENSION SPRING 8		1		
091	266290-7	HEX. SOCKET HEAD BOLT M5		1		
092	163431-5	ROLLER COMPLETE		1		
093	266026-4	TAPPING SCREW BIND CT 4X12		1		
094	344966-7	LEVER		1		
095	224638-9	INNER FLANGE 65		1		
096	961252-7	RETAINING RING S-55		1		
097	312H48-1	SAFETY COVER		1		
098	8147R4-2	HS013G NAME PLATE		1		
A01	266036-1	TAPPING SCREW BIND CT 5X20		1		
A02	450316-7	JOINT		1		
A03	4131E7-2	PROTECT STAND		1		
A04	E-24848	TCT SAW EFFI 415X35T		1		
A05	783204-6	HEX. WRENCH 6		1		
F05	199427-0	JOINT SET		1		
C10	450316-7	JOINT		1		
C20	266036-1	TAPPING SCREW BIND CT 5X20		1		

Please state Parts No. when your order.

Print Date 11. 02. 2025