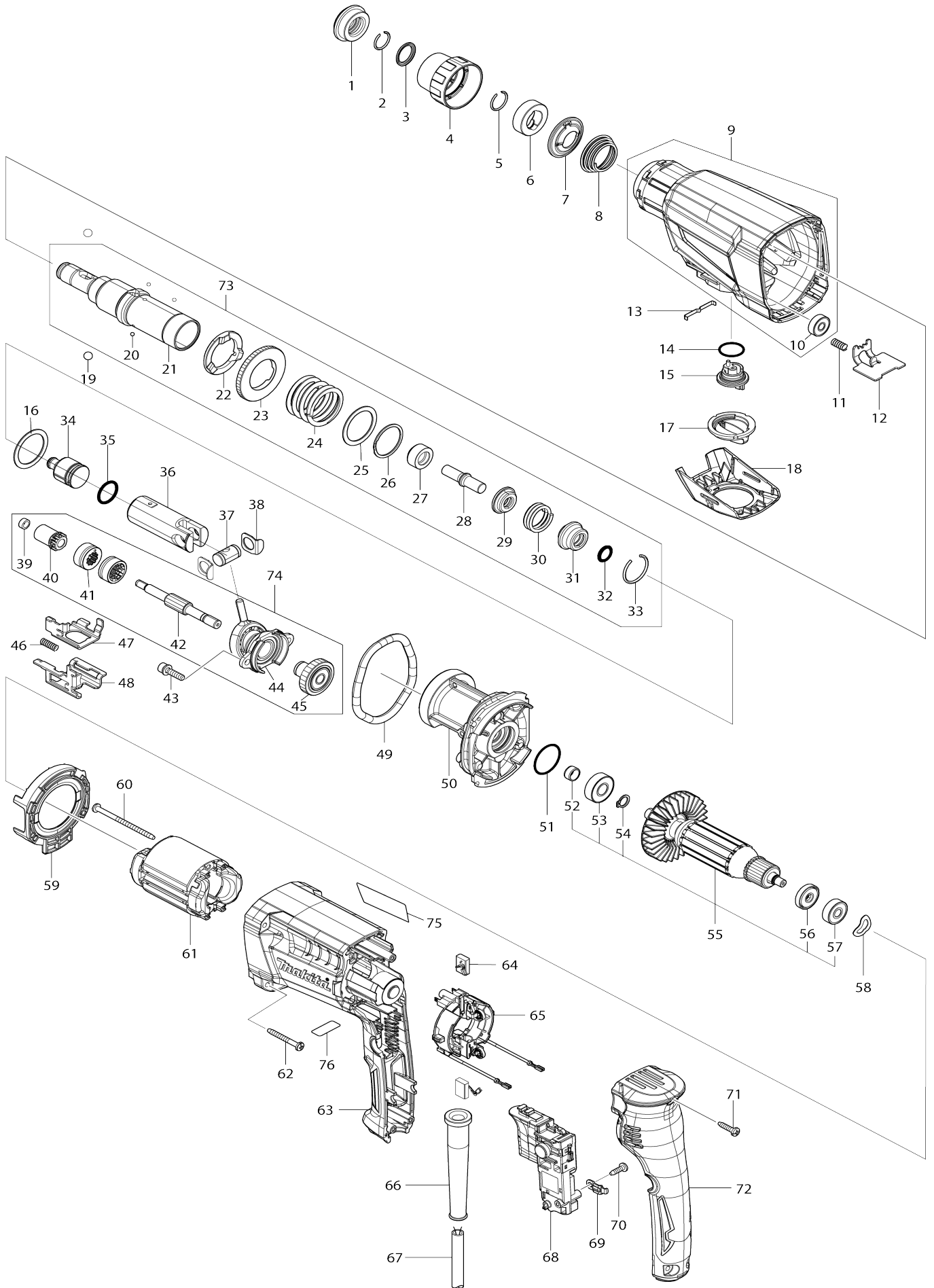


Model No.HR2670 26MM COMBINATION HAMMER



Model No.HR2670 26MM COMBINATION HAMMER

Item No.	Parts No.	Description	Interchangability	Q'ty	New/Old	Note1	Note2
001	286288-8	CAP 35		1			
002	233989-9	RING SPRING 14		1			
003	346834-0	WASHER 16		1			
004	4130J0-5	CHUCK COVER		1			
005	233992-0	RING SPRING 15		1			
006	327269-4	RING 17		1			
007	347944-6	GUIDE WASHER		1			
008	232503-8	CONICAL COMP. SPRING 21-34		1			
009	137222-0	GEAR HOUSING ASS'Y		1			
009		INC. 10					
010	210143-2	BALL BEARING 626ZZ		1			
011	233360-7	COMPRESSION SPRING 4		1			
012	347C59-7	LOCK PLATE		1			
013	232286-0	LEAF SPRING		1			
014	213278-8	O RING 17		1			
015	137166-4	CHANGE LEVER ASSEMBLY		1			
C10	263005-3	RUBBER PIN 6		1			
016	267153-0	FLAT WASHER 30		1			
017	455394-2	CHANGE LEVER CAP		1			
018	4130H9-3	CHANGE LEVER COVER		1			
019	216022-2	STEEL BALL 7.0		2			
020	216019-1	STEEL BALL 3		3	*		
020-1	216061-2	STEEL BALL 3	O	3	*		
020-2	216068-8	STEEL BALL 3	<	3			
021	141W48-2	TOOL HOLDER COMPLETE		1			
022	327D75-1	DRIVING FLANGE		1			
023	227B57-0	SPUR GEAR 40		1			
024	234148-8	COMPRESSION SPRING 31		1			
025	267153-0	FLAT WASHER 30		1			
026	257932-4	SPIRO LOCK WASHER 30		1			
027	327D80-8	SLEEVE 9		1			
028	327D81-6	IMPACT BOLT A		1			
029	325792-3	WASHER 10		1			
030	234149-6	COMPRESSION SPRING 20		1			
031	325793-1	O-RING CASE B		1			
032	213073-6	O RING 9		1			
033	233979-2	RING SPRING 28		1			
034	325784-2	STRIKER		1			
035	213258-4	O RING 17.5		1			
036	327D74-3	PISTON CYLINDER		1			
037	327D79-3	PISTON JOINT		1			
038	347C60-2	GUIDE PLATE		2			
039	257A41-5	RING 6		1			
040	227B56-2	SPUR GEAR 9		1			
041	310678-4	CLUTCH CAM		2			
042	327D78-5	CAM SHAFT		1			
043	265D67-1	HEX SOCKET HEAD BOLT M5X20 WIT		2			

044	219036-0	SWASH BEARING 9-15		1		
045	141W51-3	HELICAL GEAR 30 COMPLETE		1		
046	234343-0	COMPRESSION SPRING 5		1		
047	346833-2	CHANGE PLATE B		1		
048	346832-4	CHANGE PLATE A		1		
049	213728-3	O-RING 68		1		
050	141W46-6	INNER HOUSING COMPLETE		1		
051	213407-3	O RING 26		1		
052	257A43-1	SLEEVE 9		1		
053	210059-1	BALL BEARING 6000DDW		1		
054	961006-2	RETAINING RING S-10		1		
055	510613-4	ARMATURE ASS'Y 240V		1		
055		INC. 52-54,56,57				
056	681652-2	INSULATION WASHER		1		
057	210023-2	BALL BEARING 627DDW		1		
058	267804-5	WAVE WASHER 15		1		
059	4130J1-3	BAFFLE PLATE		1		
060	266340-8	TAPPING SCREW 4X65		2		
061	634864-6	FIELD 240V		1		
062	266053-1	TAPPING SCREW 4X35		4		
063	4130H6-9	MOTOR HOUSING		1		
064	194074-2	CARBON BRUSH CB-325		1		
065	632V64-4	BRUSH HOLDER UNIT		1		
066	682566-8	CORD GUARD 10		1		
067	665890-4	POWER SUPPLY CORD 1.0-2-4.0		1		
068	651086-3	SWITCH TG853TB-2		1		
069	687682-1	STRAIN RELIEF		1		
070	266385-6	TAPPING SCREW 4X14		1	*	
070-1	265B74-2	TAPPING SCREW 4X14	O	1		
071	266326-2	TAPPING SCREW 4X18		3	*	
071-1	265B67-9	TAPPING SCREW 4X18	O	3		
072	4130H8-5	HANDLE COVER		1		
073	137223-8	TOOL HOLDER ASS'Y		1	*	
073		INC. 20-33			*	
073-1	137259-7	TOOL HOLDER ASS'Y	<	1		
073-1		INC. 20-33				
074	137224-6	CAM SHAFT ASS'Y		1		
074		INC. 39-42,44,45				
075	8147U1-9	HR2670 NAME PLATE		1		
076	8147U2-7	HR2670 SERIAL NO. LABEL		1		
A01	122G56-6	GRIP ASSEMBLY		1		
C10	265D68-9	THUMB SCREW M6X52		1		
A02	321144-6	DEPTH GAUGE		1		
A03	821925-3	PLASTIC CARRYING CASE		1		
C10	417724-5	LATCH		2		
A05B	B-55784	CENTERINGTIPFORSDS-PLUS5PC SSET		1		
B01	196967-9	HAMMER SERVICE KIT		1		
C10	195127-0	OIL VESSEL SET		2		
B01		INC. 1,2,5,19,32,33,35,64				
F06	1914L7-6	DUSTCUP SET		1		
F07	1914L9-2	DUSTCUP SET		1		

G12	1914X3-8	DUST EXTRACTION PAD SET		1			
-----	----------	-------------------------	--	---	--	--	--

Please state Parts No. when your order.

Print Date 05. 02. 2025