



# Makita Werkzeug Ges.m.b.H.

Airportstr. 4, 2401 Fischamend

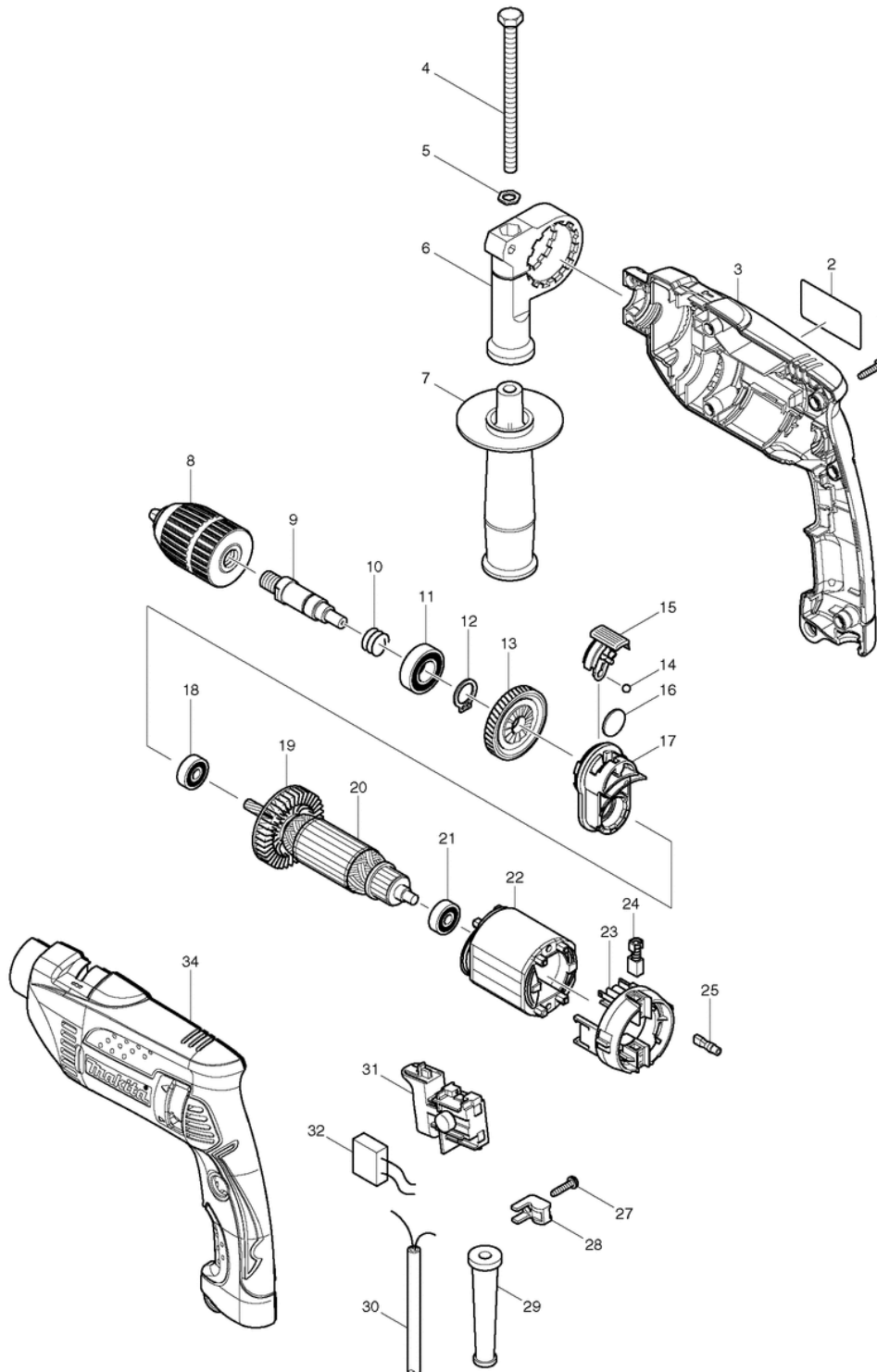
Tel: 02232 / 777 00

Fax: 02232 / 777 00 - 40

Mail: verkauf@makita.at

Web: www.makita.at

## Makita Service Information / Model: HP1641





## Makita Werkzeug Ges.m.b.H.

Airportstr. 4, 2401 Fischamend

Tel: 02232 / 777 00

Fax: 02232 / 777 00 - 40

Mail: verkauf@makita.at

Web: www.makita.at

### Makita Service Information / Model: HP1641

POS	Bestell-Nr.	Artikelbeschreibung	Stk.	Stk.Preis
1	265995-6	SKRUTKA SAMOREZNÁ 4x18	7	N/A
2	866006-6	HP1641 NAME PLATE	1	N/A
3	188611-2	HOUSING CPL.	1	N/A
3		*** INC. 34		N/A
4	265583-9	HEX. BOLT M8x120	1	N/A
5	345280-4	PODLOŽKA	1	N/A
6	417630-4	DRŽIAK RÚČKY HR2440/2020/2450F	1	N/A
7	152489-9	GRIP 36 COMPLETE	1	N/A
8	192692-0	KEYLESS DRILL CHUCK	1	N/A
8	196193-0	KEYLESS DRILL CHUCK	1	N/A
8.2	196193-0	KEYLESS DRILL CHUCK	1	N/A
8.2	196564-1	KEYLESS DRILL CHUCK	1	N/A
8.3	196564-1	KEYLESS DRILL CHUCK	1	N/A
9	324397-6	OSKA HP1620/1621	1	N/A
10	233389-3	PRUŽINA PRÍTLAČNÁ 15 HP1641	1	N/A
11	211201-7	LOŽISKO GULIČKOVÉ 6002LLB	1	N/A
12	961055-9	POISTNÝ KRÚŽOK S-15 3706-3708	1	N/A
13	226579-5	KOLESO OZUBENÉ HP1620/1621	1	N/A
14	216018-3	GULKA OCEĽOVÁ 5,0	1	N/A
15	418319-7	Páčka prepínača HP1620/1621	1	N/A
16	345354-1	PLATNIČKA 19 HP1620/1621	1	N/A
17	153831-7	VEKO LOŽISKA	1	N/A
17	141165-0	PUZDRO LOŽISKA HP1620/1621	1	N/A
17.2	141165-0	PUZDRO LOŽISKA HP1620/1621	1	N/A
18	210023-2	LOŽISKO GULIČKOVÉ 627DDW	1	N/A
19	240067-8	KOLESO VENTILÁTORA 55 HP1620/1621	1	N/A
20	517458-1	KOTVA UPLNA 220 V HP1620	1	N/A
20		*** INC. 18,19,21		N/A
21	211028-5	LOŽISKO GULIČKOVÉ 627LB	1	N/A
22	633568-7	STATOR 220 V	1	N/A
23	638237-5	DRŽIAK UHLÍKOV HP1620/21	1	N/A
24	191962-4	UHLÍKY CB-419 (CB-406/407)1187	1	N/A
25	686038-5	KRYT IZOLAČNÝ HP1620/21/HP2070	2	N/A
27	265995-6	SKRUTKA SAMOREZNÁ 4x18	1	N/A
28	687260-7	DRŽIAK KÁBLA GA6020/HR2230	1	N/A
29	682502-4	CHRANIC SNURY 8-85	1	N/A
30	665383-1	KÁBEL 1.0-2-2.0 HP1630/1631K	1	N/A
31	650570-5	VYPINAC TG 843TB	1	N/A
32	645200-1	ODRUSOVACI KONDENZATOR	1	N/A
32	645267-9	NOISE SUPPRESSOR	1	N/A



## Makita Werkzeug Ges.m.b.H.

Airportstr. 4, 2401 Fischamend

Tel: 02232 / 777 00

Fax: 02232 / 777 00 - 40

Mail: [verkauf@makita.at](mailto:verkauf@makita.at)

Web: [www.makita.at](http://www.makita.at)

### Makita Service Information / Model: HP1641

POS	Bestell-Nr.	Artikelbeschreibung	Stk.	Stk.Preis
32.2	645267-9	NOISE SUPPRESSOR	1	N/A
34	188611-2	HOUSING CPL.	1	N/A
34		*** INC. 3		N/A
1001	324219-0	DORAZ HL BKOVÝ	1	N/A
1002	824724-2	PLASTIC CARRYING CASE	1	N/A
1002	824674-1	PLASTIC CASE	1	N/A
1002	821549-5	CONNECTOR PLASTIC CASE (TYPE1)	1	N/A
1002.2	824923-6	PLASTIC CARRYING CASE	1	N/A
1002.2	824811-7	PLASTIC CARRYING CASE	1	N/A
1003	D-08660	DRILL BIT ASSORTMENT	1	N/A
1003	837666-1	INNER TRAY	1	N/A
1003.2	838038-3	INNER TRAY	1	N/A
1004	801C94-4	HP1641J INDICATION LABEL	1	N/A
1005	801C95-2	HP1641J PLASTIC CASE LABEL	2	N/A