



Makita Werkzeug Ges.m.b.H.

Airportstr. 4, 2401 Fischamend

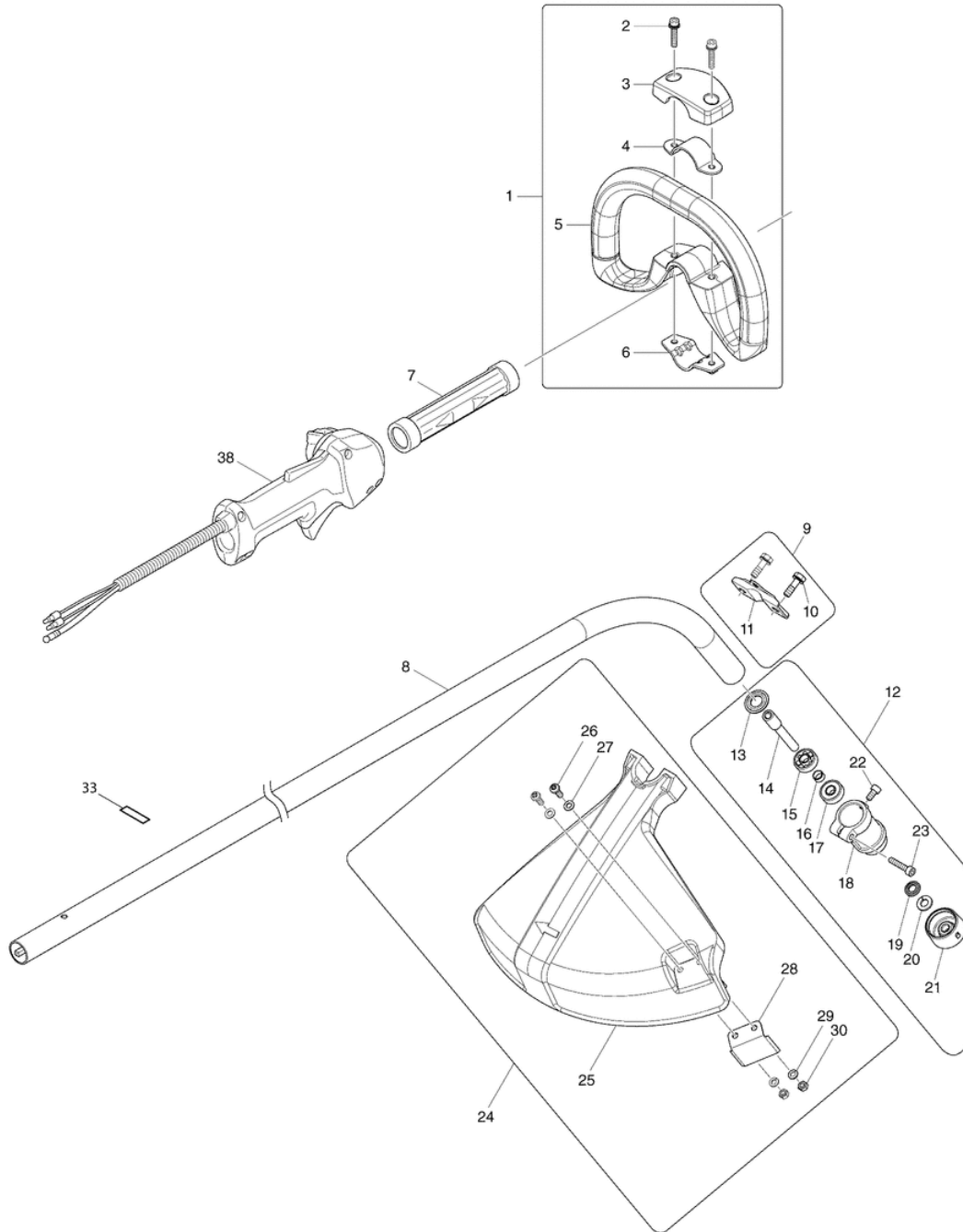
Tel: 02232 / 777 00

Fax: 02232 / 777 00 - 40

Mail: verkauf@makita.at

Web: www.makita.at

Makita Service Information / Model: ER2550LH





Makita Werkzeug Ges.m.b.H.

Airportstr. 4, 2401 Fischamend

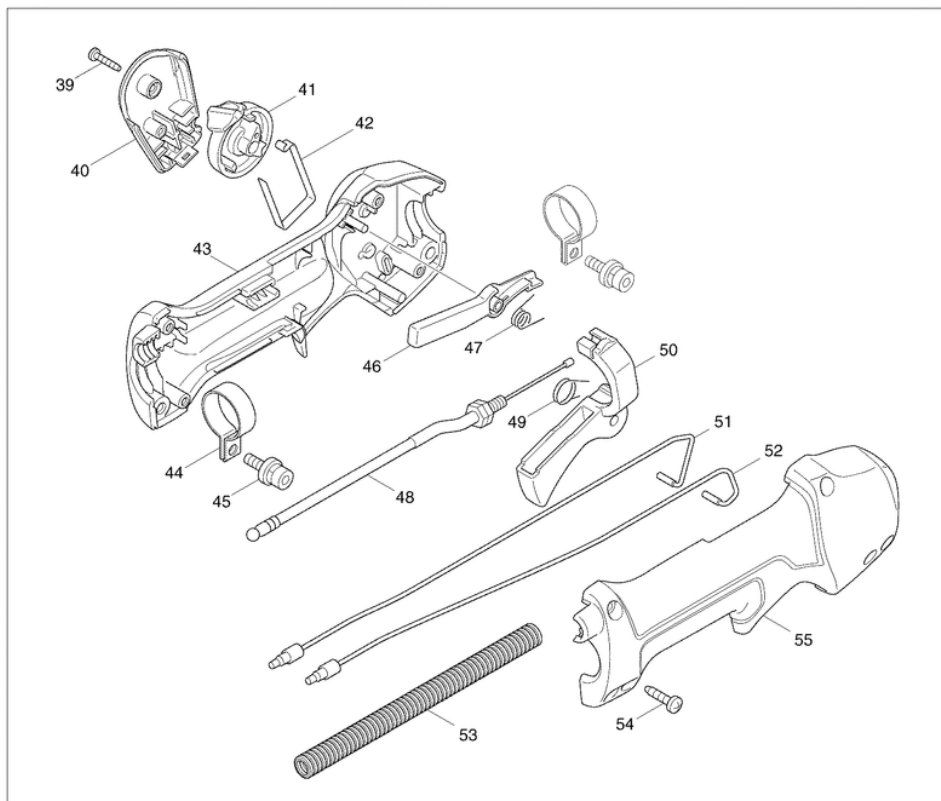
Tel: 02232 / 777 00

Fax: 02232 / 777 00 - 40

Mail: verkauf@makita.at

Web: www.makita.at

Makita Service Information / Model: ER2550LH



38



Makita Werkzeug Ges.m.b.H.

Airportstr. 4, 2401 Fischamend

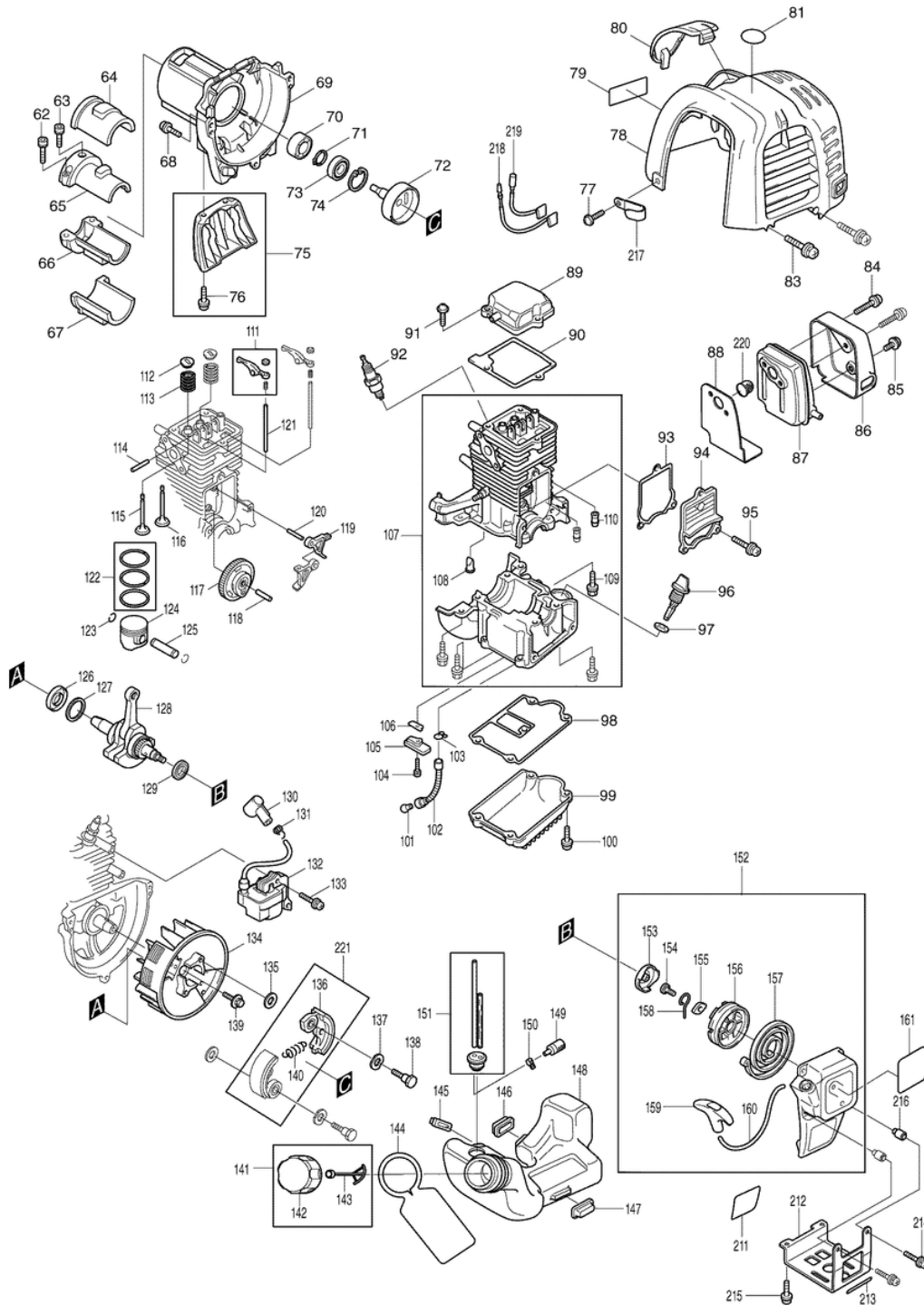
Tel: 02232 / 777 00

Fax: 02232 / 777 00 - 40

Mail: verkauf@makita.at

Web: www.makita.at

Makita Service Information / Model: ER2550LH





Makita Werkzeug Ges.m.b.H.

Airportstr. 4, 2401 Fischamend

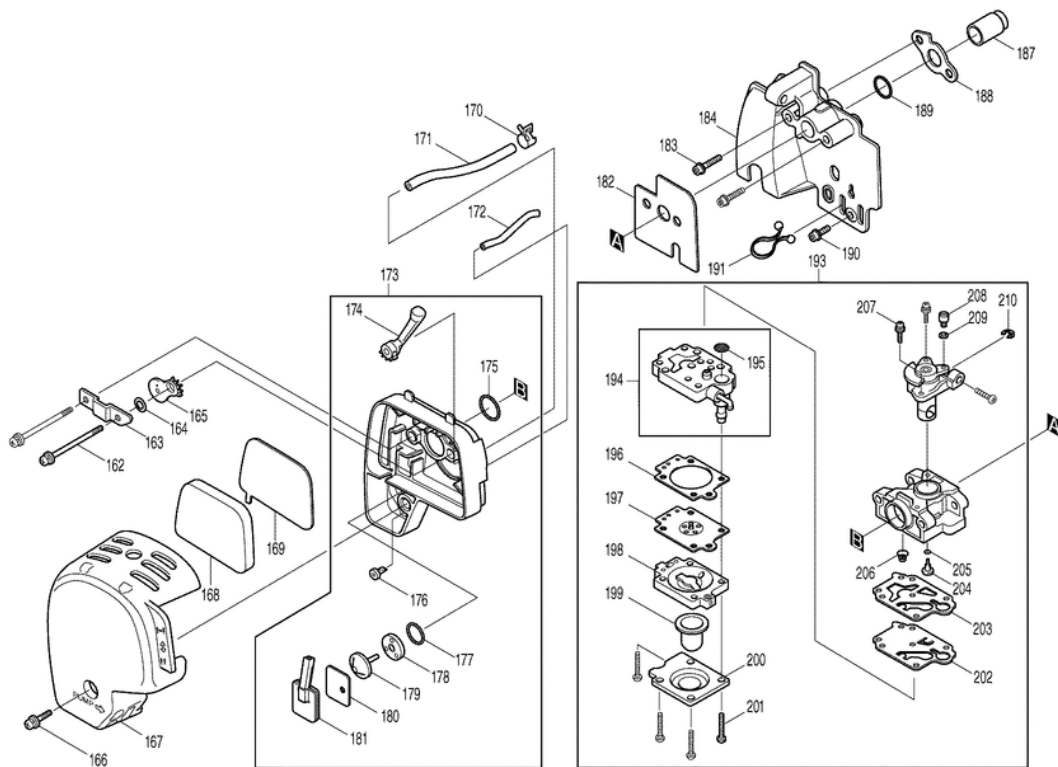
Tel: 02232 / 777 00

Fax: 02232 / 777 00 - 40

Mail: verkauf@makita.at

Web: www.makita.at

Makita Service Information / Model: ER2550LH





Makita Werkzeug Ges.m.b.H.

Airportstr. 4, 2401 Fischamend

Tel: 02232 / 777 00

Fax: 02232 / 777 00 - 40

Mail: verkauf@makita.at

Web: www.makita.at

Makita Service Information / Model: ER2550LH

POS	Bestell-Nr.	Artikelbeschreibung	Stk.	Stk.Preis
1	195626-2	HANDGRIFF KPL.	1	N/A
1		*** INC. 2-6		N/A
2	922243-3	IMBUSOVA SKRUTKA M5X25 922243-3	2	N/A
3	452843-0	ABDECKUNG	1	N/A
4	346468-9	KLEMMSCHELLE	1	N/A
4.2	346468-9	KLEMMSCHELLE	1	N/A
5	452841-4	HANDGRIFF	1	N/A
6	346467-1	KLEMMSCHELLE	1	N/A
6.2	346467-1	KLEMMSCHELLE	1	N/A
7	450659-7	SPACER	1	N/A
8	141497-5	ROHR KOMPLETT ER2550LH	1	N/A
9	141014-1	KLEMMVORRICHTUNG KPL. 195524-0	1	N/A
9		*** INC. 10,11		N/A
10	266775-3	INBUSSCHRAUBE M6x20	2	N/A
11	346469-7	KLEMMPLATTE zu 195524-0	1	N/A
12	141013-3	KOPFLAGER KOMPLETT zu 195524-0	1	N/A
12		*** INC. 13-23		N/A
12.2	141894-5	LAGERGEHÄUSE KPL.	1	N/A
12.2		*** INC. 14-21,23		N/A
13	267845-1	LAGERSCHEIBE	1	N/A
13.2	267845-1	LAGERSCHEIBE	1	N/A
14	326195-4	WELLE	1	N/A
15	211368-1	KUGELLAGER	1	N/A
16	257335-2	BUNDBUCHSE	1	N/A
17	211367-3	KUGELLAGER	1	N/A
18	318900-3	LAGERGEHÄUSE	1	N/A
19	267844-3	SCHEIBE	1	N/A
20	267846-9	FEDERSCHEIBE	1	N/A
21	318901-1	AUFNAHMESCHEIBE	1	N/A
22	922207-7	HEX. SOCKET HEAD BOLT M5	1	N/A
22.2	922207-7	HEX. SOCKET HEAD BOLT M5	1	N/A
23	922242-5	HEX. SOCKET HEAD BOLT M5	1	N/A
24	141015-9	SCHUTZVORRICHTUNG EX2650LH	1	N/A
24		*** INC. 25-30		N/A
25	453782-7	SCHUTZVORRICHTUNG zu 195524-0	1	N/A
26	266776-1	SCHRAUBE M5X14	2	N/A
27	267842-7	SCHEIBE zu 195524-0	2	N/A
28	346612-8	ABSCHNEIDVORRICHT. zu 195524-0	1	N/A
29	267843-5	FEDERSCHEIBE M5 zu 195524-0	2	N/A
30	264079-7	6KT-MUTTER ER400MP	2	N/A



Makita Werkzeug Ges.m.b.H.

Airportstr. 4, 2401 Fischamend

Tel: 02232 / 777 00

Fax: 02232 / 777 00 - 40

Mail: verkauf@makita.at

Web: www.makita.at

Makita Service Information / Model: ER2550LH

POS	Bestell-Nr.	Artikelbeschreibung	Stk.	Stk.Preis
33	819760-1	Label, Date Code	1	N/A
33.2	801D20-9	ETIKETTE ER2550LH	1	N/A
34	819431-0	CAUTION TAG	1	N/A
38	125759-9	BEDIENUNGSHANDGRIFF	1	N/A
38		*** INC. 39-55		N/A
38.2	126487-9	STEUERHEBEL ER2550LH	1	N/A
38.2		*** INC. 39-55		N/A
39	266130-9	SKRUTKA SAMOREZNÁ BIND3X16	1	N/A
40	451595-0	SWITCH COVER	1	N/A
41	451594-2	Switch Lever	1	N/A
42	232251-9	PRUŽINA PRÍTLAČNÁ	1	N/A
43	188832-6	LEVER CASE Set	1	N/A
43		*** INC. 55		N/A
44	346248-3	CABLE HOLDER	2	N/A
44.2	346248-3	CABLE HOLDER	2	N/A
45	922218-2	INBUSOVA SKRUTKA M5X14	2	N/A
46	451593-4	Lock Off Lever	1	N/A
47	233541-3	TORSION SPRING 7	1	N/A
48	168549-7	BOWDENZUG	1	N/A
49	233540-5	TORSION SPRING 11	1	N/A
50	451592-6	THROTTLE LEVER	1	N/A
50.2	455313-8	GASHEBEL EX2650LH	1	N/A
51	638676-9	KABEL	1	N/A
52	638677-7	KABEL	1	N/A
53	451602-9	FALTENSCHLAUCH	1	N/A
54	266326-2	SKRUTKA SAMOREZNÁ	4	N/A
55	188832-6	LEVER CASE Set	1	N/A
55		*** INC. 43		N/A
62	922226-3	INBUSOVÁ SKRUTKA M5x18 4340CT-41FCT	2	N/A
63	922211-6	HEX. SOCKET HEAD BOLT M5x12	1	N/A
64	424191-7	PIPE DAMPER (1)	1	N/A
65	318270-0	PIPE BRACKET (1)	1	N/A
66	318271-8	PIPE BRACKET (2)	1	N/A
67	424107-2	PIPE DAMPER (2)	1	N/A
68	922222-1	IMBUSOVA SKRUTKA M5x16	3	N/A
69	318329-3	CLUTCH CASE	1	N/A
70	450569-8	SPACER	1	N/A
70.2	450569-8	SPACER	1	N/A
71	961052-5	POISTNÝ KRÚŽOK S-12	1	N/A
72	168710-6	KUPPLUNGSTROMMEL	1	N/A



Makita Werkzeug Ges.m.b.H.

Airportstr. 4, 2401 Fischamend

Tel: 02232 / 777 00

Fax: 02232 / 777 00 - 40

Mail: verkauf@makita.at

Web: www.makita.at

Makita Service Information / Model: ER2550LH

POS	Bestell-Nr.	Artikelbeschreibung	Stk.	Stk.Preis
73	210111-5	BALL BEARING	1	N/A
74	962151-6	POISTNY KRUZOK R-32	1	N/A
75	195144-0	Stand Set	1	N/A
75		*** INC. 76		N/A
76	911218-7	PAN HEAD SCREW M5x14	2	N/A
77	911213-7	SKRUTKA M5x12	2	N/A
78	450654-7	CYLINDER COVER	1	N/A
79	819312-8	MAKITA Logo Label	1	N/A
80	450568-0	PLUG COVER	1	N/A
80.2	452144-6	PLUG COVER	1	N/A
83	911128-8	SKRUTKA M4x16	2	N/A
84	266440-4	HEX. SOCKET HEAD BOLT M5x40	2	N/A
85	265184-3	Screw	1	N/A
86	345915-7	MUFFLER CPL.	1	N/A
87	168469-5	EXHAUST MUFFLER	1	N/A
88	345916-5	MUFFLER GASKET	1	N/A
89	140023-7	ROCKER COVER COMPLETE	1	N/A
90	162275-0	Rocker Cover Gasket	1	N/A
91	922223-9	Hex. Socket Head Bolt M5x16	3	N/A
92	168534-0	Spark Plug	1	N/A
93	162274-2	Cam Gear Cover Gasket	1	N/A
94	318443-5	Cam Gear Cover	1	N/A
95	922217-4	HEX. SOCKET HEAD BOLT M5x14	3	N/A
96	450565-6	OIL GAUGE	1	N/A
97	424100-6	Gasket	1	N/A
98	162276-8	Case Gasket	1	N/A
99	318442-7	OIL CASE	1	N/A
100	922217-4	HEX. SOCKET HEAD BOLT M5x14	4	N/A
101	325666-8	Oil Weight	1	N/A
102	424202-8	OIL TUBE	1	N/A
103	282020-8	HOSE CLAMP	1	N/A
104	922112-8	IMBUSOVA SKRUTKA 4x10	1	N/A
105	318440-1	Retainer Plate	1	N/A
106	346083-9	Lead Valve	1	N/A
107	135375-9	CYLINDER BLOCK ASSY	1	N/A
107		*** INC. 108-110		N/A
108	424201-0	CHECK VALVE	2	N/A
109	922217-4	HEX. SOCKET HEAD BOLT M5x14	8	N/A
110	424200-2	SPACER	2	N/A
111	125554-7	Rocker Arm Ass'y	2	N/A



Makita Werkzeug Ges.m.b.H.

Airportstr. 4, 2401 Fischamend

Tel: 02232 / 777 00

Fax: 02232 / 777 00 - 40

Mail: verkauf@makita.at

Web: www.makita.at

Makita Service Information / Model: ER2550LH

POS	Bestell-Nr.	Artikelbeschreibung	Stk.	Stk.Preis
112	325668-4	Spring Retainer	2	N/A
113	234108-0	COMPRESSION SPRING 9	2	N/A
114	256200-2	KOLÍK 5 2704	1	N/A
115	325670-7	Intake Valve	1	N/A
115.2	326367-1	EINLASSVENTIL EW1050H	1	N/A
116	325669-2	Exhaust Valve	1	N/A
116.2	326366-3	AUSLASSVENTIL	1	N/A
117	125552-1	Cam Gear Ass'y	1	N/A
118	268238-5	PIN 5	1	N/A
119	313169-4	CAM LIFTER	2	N/A
120	268239-3	PIN 4	1	N/A
121	256865-0	ROD 2.5	2	N/A
122	195145-8	PISTON RING SET	1	N/A
122.2	196595-0	KOLBENRINGSET EW1050H	1	N/A
123	233976-8	Clip	2	N/A
124	318441-9	PISTON	1	N/A
125	257781-9	PISTON PIN	1	N/A
126	213147-3	OIL SEAL 12	1	N/A
127	267400-9	FLAT WASHER 23	1	N/A
128	135374-1	CRANK SHAFT COMPLETE	1	N/A
128.2	135539-5	CRANK SHAFT COMPLETE	1	N/A
129	213148-1	TESNIACI KRÚŽOK 10 EBH252U	1	N/A
130	424105-6	PLUG CAP	1	N/A
131	324891-8	PLUG CAP SPRING	1	N/A
132	168501-5	ZAPALOVANIE EBH252,4	1	N/A
133	922138-0	HEX. SOCKET HEAD BOLT M4x20	2	N/A
134	318343-9	FLYWHEEL	1	N/A
135	267812-6	FLAT WASHER 6	2	N/A
136	168498-8	Clutch Shoe	2	N/A
137	267817-6	FLAT WASHER 8	2	N/A
138	266457-7	Shoulder Hex. Bolt M6 EBH252U	2	N/A
138.2	266864-4	SCHRAUBE	2	N/A
139	265577-4	HEX. SOCKET HEAD BOLT M6x16	1	N/A
140	231858-8	Tension Spring 6	1	N/A
140.2	231881-3	TENSION SPRING 7	1	N/A
141	125472-9	FUEL TANK CAP	1	N/A
141		*** INC. 142,143		N/A
142	140435-4	FUEL TANK CAP	1	N/A
143	140436-2	STRAP complete	1	N/A
144	810455-9	CAUTION LABEL	1	N/A



Makita Werkzeug Ges.m.b.H.

Airportstr. 4, 2401 Fischamend

Tel: 02232 / 777 00

Fax: 02232 / 777 00 - 40

Mail: verkauf@makita.at

Web: www.makita.at

Makita Service Information / Model: ER2550LH

POS	Bestell-Nr.	Artikelbeschreibung	Stk.	Stk.Preis
145	424102-2	PLATE	1	N/A
146	424103-0	PLATE	1	N/A
147	424104-8	Damper	1	N/A
148	450566-4	FUEL TANK CPL.	1	N/A
149	163447-0	FILTER PALIVOVÝ DCS230T	1	N/A
150	345920-4	HOSE CLAMP	1	N/A
151	168472-6	Tube complete	1	N/A
152	195146-6	RECOIL STARTER SET	1	N/A
152		*** INC. 153-160		N/A
153	168483-1	Pulley	1	N/A
154	266585-8	TAPPING SCREW 5x12	1	N/A
155	451938-6	Collar	1	N/A
156	451937-8	REEL	1	N/A
157	232258-5	SPIRAL SPRING	1	N/A
158	325923-4	SWING ARM	1	N/A
159	424319-7	STARTER KNOB	1	N/A
160	444019-3	STARTER ROPE	1	N/A
161	893142-5	ER2550LH MODEL NO. LABEL	1	N/A
162	265188-5	SCREW	2	N/A
163	345919-9	PLATE	1	N/A
164	423376-2	Gasket	1	N/A
165	450560-6	Choke Plate	1	N/A
166	911218-7	PAN HEAD SCREW M5x14	1	N/A
167	450561-4	AIR CLEANER COVER	1	N/A
168	443141-3	Air Cleaner Element	1	N/A
169	443140-5	Air Cleaner Element	1	N/A
170	345918-1	HOSE CLAMP	1	N/A
171	422041-0	Breather Pipe	1	N/A
172	422042-8	PIPE	1	N/A
173	125468-0	CLEANER PLATE	1	N/A
173		*** INC. 174-181		N/A
174	451925-5	CHOKE LEVER	1	N/A
175	213540-1	O RING 15	1	N/A
176	424316-3	Check Valve	1	N/A
177	213539-6	O RING 14	1	N/A
178	451924-7	CHECK VALVE PLATE	1	N/A
179	424315-5	CHECK VALVE	1	N/A
180	168577-2	GASKET	1	N/A
181	168576-4	SEPARATOR PLATE	1	N/A
182	413121-3	CARBURETOR GASKET	1	N/A



Makita Werkzeug Ges.m.b.H.

Airportstr. 4, 2401 Fischamend

Tel: 02232 / 777 00

Fax: 02232 / 777 00 - 40

Mail: verkauf@makita.at

Web: www.makita.at

Makita Service Information / Model: ER2550LH

POS	Bestell-Nr.	Artikelbeschreibung	Stk.	Stk.Preis
183	922228-9	HEX.SOCKET HEAD BOLT M5X18	2	N/A
184	450559-1	INSULATOR	1	N/A
187	324961-3	INTAKE PIPE	1	N/A
188	413120-5	INSULATOR GASKET	1	N/A
189	213078-6	O-RING 10	1	N/A
190	922213-2	HEX.SOCKET HEAD BOLT M5X12	1	N/A
191	450562-2	CLAMP	1	N/A
193	168497-0	Carburetor	1	N/A
193		*** INC. 194,196-210		N/A
194	140437-0	PUMP BODY	1	N/A
194		*** INC. 195		N/A
195	352010-6	INLET SCREEN	1	N/A
196	442154-1	METERING DIAPHRAGM GASKET	1	N/A
197	168574-8	METERING DIAPHRAGM	1	N/A
198	140438-8	Air Purge Body	1	N/A
199	424314-7	PRIMER PUMP	1	N/A
200	346270-0	PRIMER PUMP COVER	1	N/A
201	266582-4	TAPPING SCREW 3X24	4	N/A
202	168575-6	PUMP DIAPHRAGM	1	N/A
203	442155-9	PUMP GASKET	1	N/A
204	325924-2	JET	1	N/A
205	213538-8	O RING 2	1	N/A
206	234183-6	CONICAL COMPRESSION SPRING	1	N/A
207	266581-6	PAN HEAD SCREW M3x8	2	N/A
207.2	WJ00096364	Screw	2	N/A
208	325922-6	SWIVEL	1	N/A
209	413140-9	WASHER	1	N/A
210	257964-1	STOP RING E-3	1	N/A
211	806902-6	Engine Label EBH252U	1	N/A
211.2	806902-6	Engine Label EBH252U	1	N/A
212	345964-4	TANK GUARD	1	N/A
213	814998-3	Serial No. Label	1	N/A
214	911148-2	SKRUTKA M4x25	2	N/A
215	911213-7	SKRUTKA M5x12	2	N/A
216	331835-1	Spacer	2	N/A
217	345963-6	Clamp	1	N/A
218	638664-6	LEAD UNIT	1	N/A
219	638665-4	LEAD UNIT	1	N/A
220	324980-9	Spark Arrester	1	N/A
221	125518-1	CLUTCH ASSY.	1	N/A



Makita Werkzeug Ges.m.b.H.

Airportstr. 4, 2401 Fischamend

Tel: 02232 / 777 00

Fax: 02232 / 777 00 - 40

Mail: verkauf@makita.at

Web: www.makita.at

Makita Service Information / Model: ER2550LH

POS	Bestell-Nr.	Artikelbeschreibung	Stk.	Stk.Preis
221		*** INC. 136,140		N/A
221.2	126135-0	CLUTCH ASSY. new	1	N/A
221.2		*** INC. 136,140		N/A
1001	122980-1	SCHNEIDKOPF 195650-5	1	N/A
1002	195500-4	OIL SET	1	N/A
1002.2	196121-5	MOTOR□L 80 cc EM2650UH	1	N/A
1003	831304-7	ACCESSORY BAG	1	N/A
1004	256530-1	STIFTSCHL□SSEL	1	N/A
1005	782233-6	KOMBISCHL□SSEL	1	N/A
1006	783223-2	WRENCH 4	1	N/A