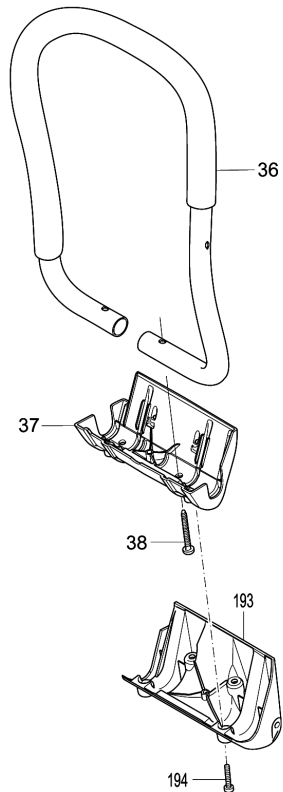
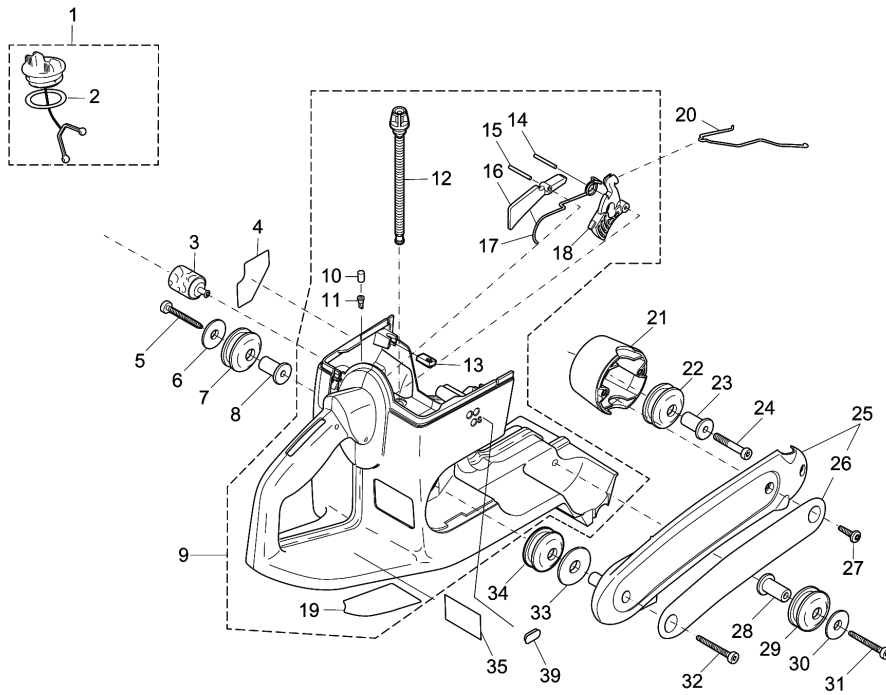
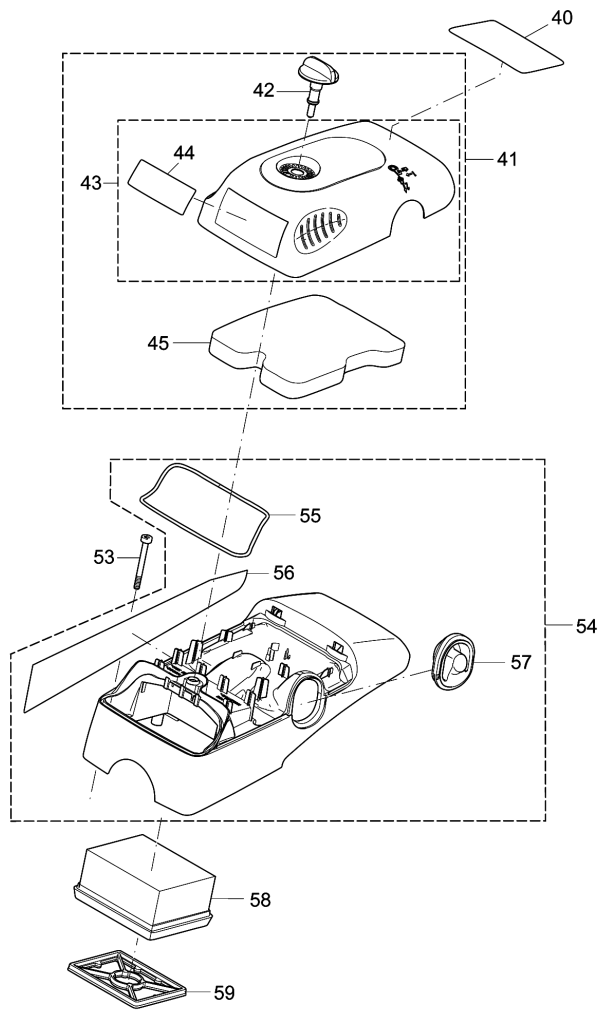


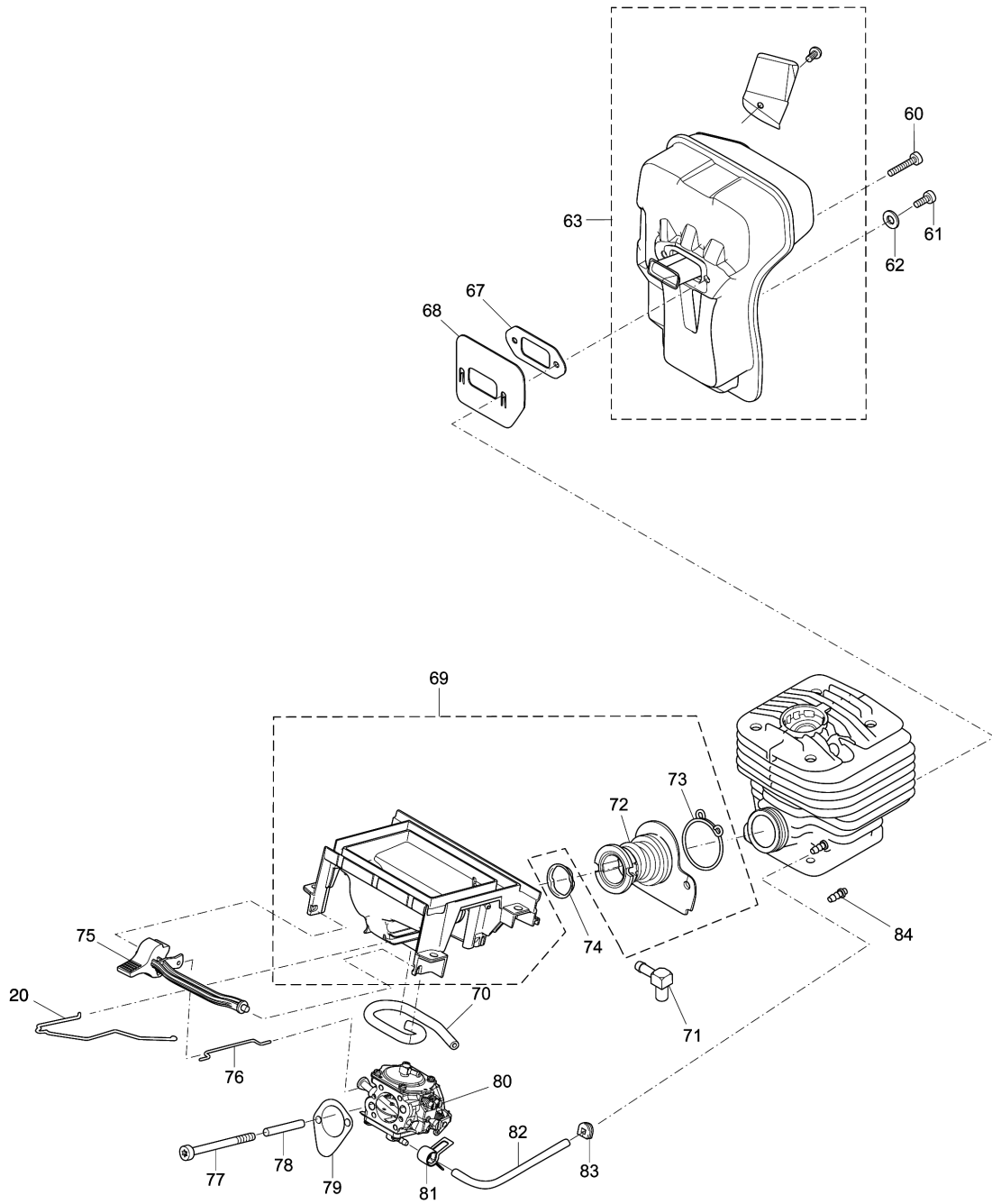
Model No.EK8100 POWER CUTTER



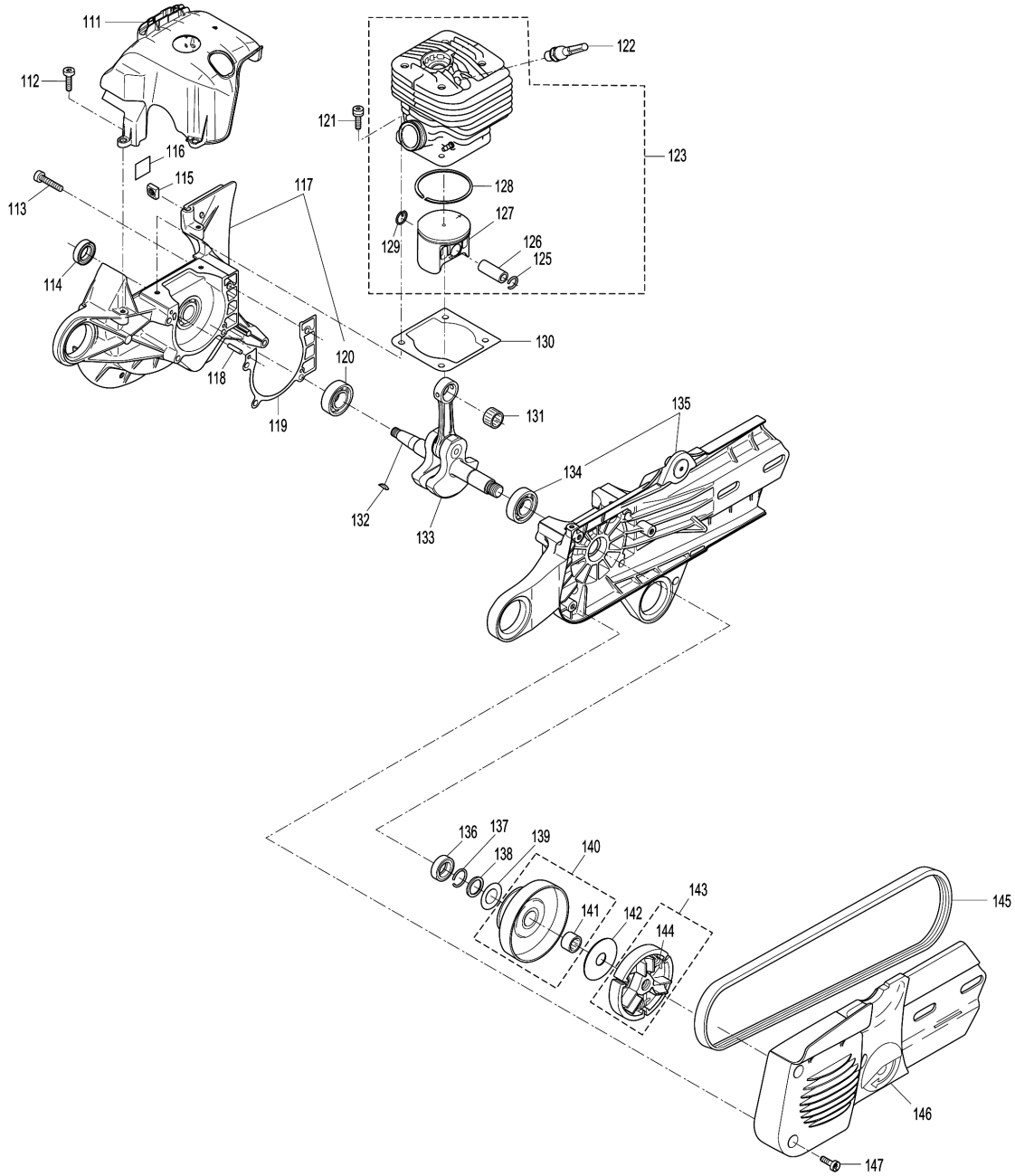
Model No.EK8100 POWER CUTTER



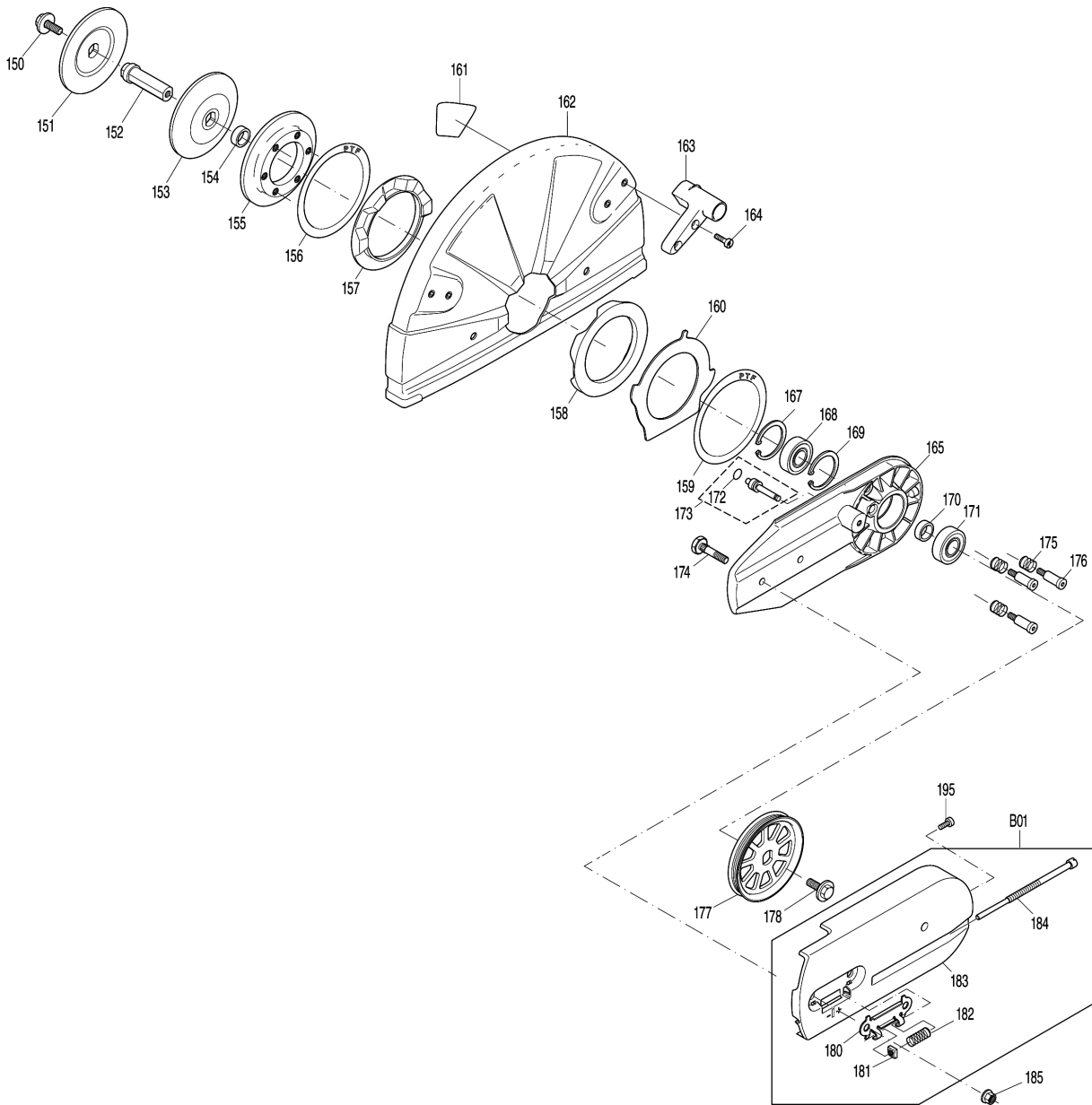
Model No.EK8100 POWER CUTTER



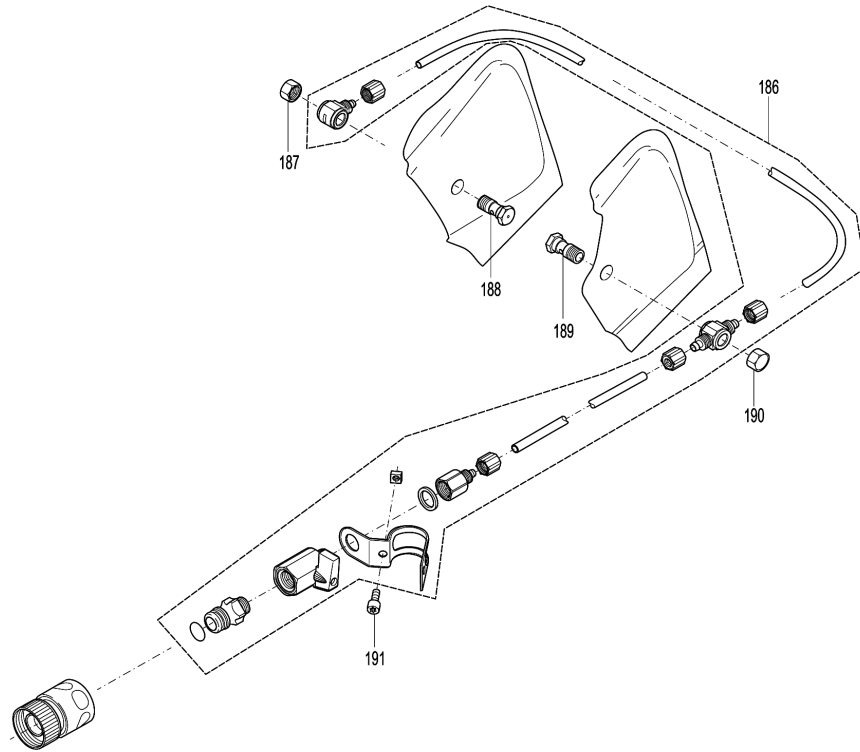
Model No.EK8100 POWER CUTTER



Model No.EK8100 POWER CUTTER



Model No.EK8100 POWER CUTTER



Model No.EK8100 POWER CUTTER

| Položka | Objednávacie číslo | Popis | Zmena | ks | New/Old | Možnosť 1 | Možnosť 2 | Poznámka |
|---------|--------------------|-----------------------------|-------|----|---------|-----------|-----------|----------|
| 001 | 168507-3 | TANK CAP COMPLETE | | 1 | | | | |
| D10 | | INC. 2 | | | | | | |
| 002 | 213080-9 | O RING 29.5 | | 1 | | | | |
| 003 | 163499-1 | SUCTION HEAD | | 1 | | | | |
| 005 | 266687-0 | TAPPING SCREW 5.5X45 | | 1 | | | | |
| 006 | 346870-6 | WASHER 5.8X26X2 | | 1 | | | | |
| 007 | 424695-9 | VIBRATION DAMPER | | 1 | | | | |
| 008 | 319268-0 | AXLE FOR VIBRATION DAMPER | | 1 | | | | |
| 009 | 123321-4 | FUEL TANK CPL. BLUE | | 1 | * | | | |
| D10 | | INC. 10-19 | | | * | | | |
| 009-1 | 140Y29-5 | FUEL TANK CPL. BLUE | O | 1 | | | | |
| D10 | | INC. 10-19 | | | | | | |
| 010 | 422063-0 | SINTER INSERT | | 1 | * | | | |
| 011 | 424170-5 | VALVE | | 1 | * | | | |
| 011-1 | 195762-4 | AIR VALVE SET | S | 1 | | | | |
| 012 | 424723-0 | FUEL LINE | | 1 | | | | |
| 013 | 252897-5 | SCREW PLUG | | 4 | | | | |
| 014 | 268335-7 | PIN 3 | | 1 | | | | |
| 015 | 268233-5 | PIN 3 | | 1 | | | | |
| 016 | 455821-9 | SAFETY LEVER | | 1 | | | | |
| 017 | 233626-5 | SPRING | | 1 | | | | |
| 018 | 455820-1 | THROTTLE LEVER | | 1 | | | | |
| 019 | 806J47-0 | INDICATION LABEL | | 1 | | | | |
| 020 | 326497-8 | THROTTLE LINKAGE | | 1 | | | | |
| 021 | 455806-5 | RETAINER FOR DAMPER BLACK | | 1 | | | | |
| 022 | 424695-9 | VIBRATION DAMPER | | 1 | | | | |
| 023 | 319268-0 | AXLE FOR VIBRATION DAMPER | | 1 | | | | |
| 024 | 266943-8 | H.L. SOCKET HEAD BOLT M5X40 | | 1 | | | | |
| 025 | 143211-5 | SIDE SUPPORT MAKITA | | 1 | | | | |
| D10 | | INC. 26 | | | | | | |
| 026 | 806J44-6 | MAKITA LOGO LABEL | | 1 | | | | |
| 027 | 266475-5 | H.L.TAPPING SCREW 5.5X20 | | 2 | | | | |
| 028 | 319268-0 | AXLE FOR VIBRATION DAMPER | | 1 | | | | |
| 029 | 424695-9 | VIBRATION DAMPER | | 1 | | | | |
| 030 | 346870-6 | WASHER 5.8X26X2 | | 1 | | | | |
| 031 | 266687-0 | TAPPING SCREW 5.5X45 | | 1 | | | | |
| 032 | 266687-0 | TAPPING SCREW 5.5X45 | | 1 | | | | |
| 033 | 346871-4 | WASHER | | 1 | | | | |
| 034 | 424695-9 | VIBRATION DAMPER | | 1 | | | | |
| 035 | 852C52-3 | EK8100 NAME PLATE | | 1 | | | | |
| 036 | 143097-7 | WRAP AROUND HANDLE CPL | | 1 | | | | |
| 037 | 319270-3 | FOOT, MACHINED | | 1 | | | | |
| 038 | 266687-0 | TAPPING SCREW 5.5X45 | | 2 | | | | |

Please order the parts with part number.

Print Date 8/10/2021

Model No.EK8100 POWER CUTTER

| Položka | Objednávacie číslo | Popis | Zmena | ks | New/Old | Možnosť 1 | Možnosť 2 | Poznámka |
|---------|--------------------|-----------------------------|-------|----|---------|-----------|-----------|----------|
| 039 | 424693-3 | PLUG | | 1 | | | | |
| 041 | 123309-4 | COVER CPL. BLACK PRE-FILTER | | 1 | * | | | |
| D10 | | INC. 43,45 | | | * | | | |
| 041-1 | 127087-8 | FILTER COVER ASSEMBLY | < | 1 | | | | |
| D10 | | INC. 43,45 | | | | | | |
| 042 | 266692-7 | THUMB SCREW M6X15 | | 1 | | | | |
| 043 | 123312-5 | FILTER COVER COMPLETE | | 1 | | | | |
| D10 | | INC. 42,44 | | | | | | |
| 044 | 806J48-8 | CAUTION LABEL | | 1 | * | | | |
| 044-1 | 807L79-2 | CAUTION LABEL | O | 1 | | | | |
| 045 | 424700-2 | PRE-FILTER | | 1 | | | | |
| 053 | 266941-2 | H.L. SOCKET HEAD BOLT M5X50 | | 4 | | | | |
| 054 | 123308-6 | HOOD CPL. BLACK | | 1 | | | | |
| D10 | | INC. 55-57 | | | | | | |
| 055 | 424697-5 | PACKING RING | | 1 | | | | |
| 056 | 806J50-1 | CAUTION LABEL | | 1 | | | | |
| 057 | 424703-6 | DEKO COVER | | 1 | | | | |
| 058 | 424701-0 | AIR FILTER | | 1 | | | | |
| 059 | 424705-2 | INNER FILTER | | 1 | | | | |
| 060 | 266960-8 | H.L. SOCKET HEAD BOLT M5X20 | | 2 | | | | |
| 061 | 266946-2 | H.L. SOCKET HEAD BOLT M5X12 | | 1 | | | | |
| 062 | 267821-5 | SPRING WASHER 5 | | 1 | | | | |
| 063 | 161338-9 | MUFFLER CPL. | | 1 | | | | |
| 067 | 346876-4 | MUFFLER GASKET | | 1 | | | | |
| 068 | 346868-3 | COOLING PLATE | | 1 | | | | |
| 069 | 123310-9 | INTAKE MANIFOLD CPL. | | 1 | * | | | |
| D10 | | INC. 70,72,73 | | | * | | | |
| D11 | | INC. 72,73 | | | * | | | |
| 069-1 | 127098-3 | INTAKE MANIFOLD ASSEMBLY | S | 1 | | | | |
| D11 | | INC. 72,73 | | | | | | |
| 070 | 424699-1 | TUBE BLACK RED | | 1 | * | | | |
| 071 | 161311-9 | ANGULAR NIPPLE | | 1 | * | | | |
| 072 | 424708-6 | INTAKE HOSE | | 1 | | | | |
| 073 | 233625-7 | SPRING CLAMP | | 1 | | | | |
| 074 | 346867-5 | GUIDE RING | | 1 | | | | |
| 075 | 455808-1 | CHOKE SHAFT | | 1 | | | | |
| 076 | 326496-0 | CHOKE LINKAGE | | 1 | | | | |
| 077 | 266944-6 | H.L. SOCKET HEAD BOLT M4X55 | | 2 | | | | |
| 078 | 424710-9 | INSULATION TUBE | | 2 | * | | | |
| 078-1 | 412601-6 | INSULATION TUBE 4-15 | O | 2 | | | | |
| 079 | 346874-8 | GASKET | | 1 | | | | |
| 080 | 161315-1 | CARBURETOR | | 1 | * | | | |
| 080-1 | 162532-6 | CARBURETOR | S | 1 | | | | |

Please order the parts with part number.

Print Date 8/10/2021

Model No.EK8100 POWER CUTTER

| Položka | Objednávacie číslo | Popis | Zmena | ks | New/Old | Možnosť 1 | Možnosť 2 | Poznámka |
|---------|--------------------|-----------------------------|-------|----|---------|-----------|-----------|----------|
| 081 | 324616-0 | HOSE CLAMP | | 1 | | | | |
| 082 | 424698-3 | TUBE 3-120 | | 1 | | | | |
| 083 | 424696-7 | RUBBER GROMMET | | 1 | | | | |
| 084 | 326499-4 | NIPPLE | | 1 | * | | | |
| 085 | 806K78-5 | MAKITA LOGO LABEL | | 1 | | | | |
| 086 | 123357-3 | STARTING DEVICE CPL. BLUE | | 1 | | | | |
| D10 | | INC. 87-94 | | | * | | | |
| D11 | | INC. 87-94,202 | | | | | | |
| 087 | 267862-1 | SPRING WASHER 5 | | 1 | | | | |
| 088 | 452458-3 | STARTER GRIP | | 1 | | | | |
| 089 | 266938-1 | H.L. SOCKET HEAD BOLT M5X20 | | 4 | | | | |
| 090 | 123315-9 | STARTER HOUSING BLUE | | 1 | | | | |
| 091 | 140587-1 | REWIND SPRING COMPLETE | | 1 | | | | |
| 092 | 143098-5 | CABLE DRUM COMPLETE | | 1 | | | | |
| 093 | 455805-7 | AIR GUIDE PLATE | | 1 | | | | |
| 094 | 257997-6 | RETAINING RING A14X1V | | 1 | | | | |
| 095 | 264107-8 | HEXAGONAL NUT M8 | | 1 | | | | |
| 096 | 267822-3 | SPRING WASHER 8 | | 1 | | | | |
| 097 | 123306-0 | FLYWHEEL D=120 CPL | | 1 | | | | |
| D10 | | INC. 98-100 | | | | | | |
| 098 | 326500-5 | BEARING BOLT | | 2 | * | | | |
| 098-1 | 327728-8 | BEARING BOLT | < | 2 | | | | |
| 099 | 346865-9 | STARTER-RATCHET | | 2 | | | | |
| 100 | 233535-8 | TORSION SPRING 13 | | 2 | | | | |
| 101 | 632E41-4 | CABLE WITH PLUG | | 1 | | | | |
| 103 | 346869-1 | CONTACT SPRING | | 1 | | | | |
| 104 | 266942-0 | H.L. SOCKET HEAD BOLT M5X20 | | 2 | | | | |
| 105 | 451462-9 | ISOLATING WASHER | | 2 | | | | |
| 106 | 161310-1 | IGNITION COIL CDIM 120-15 | | 1 | * | | | |
| 106-1 | 161310-1 | IGNITION COIL CDIM 120-15 | O | 1 | | | | |
| 107 | 424706-0 | PLUG CAP | | 1 | | | | |
| 108 | 234358-7 | TERMINAL SPRING | | 1 | | | | |
| 109 | 168517-0 | SPARK PLUG | | 1 | | | | |
| 111 | 455819-6 | HOOD | | 1 | | | | |
| 112 | 266940-4 | H.L. SOCKET HEAD BOLT M5X15 | | 3 | | | | |
| 113 | 266945-4 | H.L. SOCKET HEAD BOLT M5X30 | | 5 | | | | |
| 114 | 213814-0 | RADIAL RING | | 1 | | | | |
| 115 | 264108-6 | SQUARE NUT M5 | | 1 | | | | |
| 116 | 424707-8 | RUBBER SHEET | | 1 | | | | |
| 117 | 143226-2 | CRANKCASE MS CPL. | | 1 | | | | |
| D10 | | INC. 120 | | | | | | |
| 118 | 258038-1 | CLAMPING PIN | | 2 | | | | |
| 119 | 346877-2 | CRANK CASE GASKET | | 1 | | | | |

Please order the parts with part number.

Print Date 8/10/2021

Model No.EK8100 POWER CUTTER

| Položka | Objednávacie číslo | Popis | Zmena | ks | New/Old | Možnosť 1 | Možnosť 2 | Poznámka |
|---------|--------------------|--------------------------------|-------|----|---------|-----------|-----------|----------|
| 120 | 211154-0 | BALL BEARING 6202 | | 1 | | | | |
| 121 | 266473-9 | H.L. SOCKET HEAD BOLT M5X23 | | 4 | * | | | |
| 121-1 | 266473-9 | H.L. SOCKET HEAD BOLT M5X23 | O | 4 | | | | |
| 122 | 455804-9 | DECOMPRESSION VALVE | | 1 | | | | |
| 123 | 123441-4 | CYLINDER PISTON SET | | 1 | * | | | |
| D10 | | INC. 125-129 | | | * | | | |
| 123-1 | 135794-9 | CYLINDER ASS'Y | S | 1 | | | | |
| D10 | | INC. 125-129 | | | | | | |
| 125 | 234359-5 | CIRCLIP 12 | | 1 | | | | |
| 126 | 257841-7 | PISTON PIN | | 1 | | | | |
| 127 | 319282-6 | PISTON 52 | | 1 | * | | | |
| 127-1 | 198667-7 | PISTON SET | X | 1 | | | | |
| D10 | | INC. 125,126,128,129 | | | | | | |
| 128 | 257381-5 | PISTON RING 52 | | 1 | | | | |
| 129 | 234359-5 | CIRCLIP 12 | | 1 | | | | |
| 130 | 346873-0 | GASKET | | 1 | | | | |
| 131 | 212133-1 | PISTON PIN BEARING 12X16X13 | | 1 | | | | |
| 132 | 254042-8 | WOODRUFF-KEY 3X3,7 | | 1 | | | | |
| 133 | 143109-6 | CRANKSHAFT CPL. | | 1 | | | | |
| 134 | 211154-0 | BALL BEARING 6202 | | 1 | | | | |
| 135 | 143225-4 | CRANKCASE CS CPL | | 1 | | | | |
| D10 | | INC. 134 | | | | | | |
| 136 | 213814-0 | RADIAL RING | | 1 | | | | |
| 137 | 234366-8 | SNAP RING A 16 | | 1 | | | | |
| 138 | 346872-2 | STOP RING | | 1 | | | | |
| 139 | 346866-7 | GUIDE DISK | | 1 | | | | |
| 140 | 161318-5 | CLUTCH DRUM CPL. | | 1 | | | | |
| D10 | | INC. 141 | | | | | | |
| 141 | 212134-9 | NEEDLE ROLLER BEARING 15X21X16 | | 1 | | | | |
| 142 | 267389-1 | FLAT WASHER 12 | | 1 | | | | |
| 143 | 123305-2 | CLUTCH, CPL | | 1 | | | | |
| D10 | | INC. 144 | | | | | | |
| 144 | 231892-8 | TENSION SPRING | | 3 | * | | | |
| 144-1 | 231896-0 | TENSION SPRING | O | 3 | * | | | |
| 144-2 | 232352-3 | TENSION SPRING 6 | O | 3 | * | | | |
| 144-3 | 232352-3 | TENSION SPRING 6 | O | 3 | | | | |
| 145 | 424711-7 | V-BELT | | 1 | | | | |
| 146 | 455832-4 | CLUTCH COVER | | 1 | | | | |
| 147 | 266947-0 | H.L. SOCKET HEAD BOLT M5X14 | | 3 | | | | |
| 150 | 266976-3 | HEX. BOLT M8X25 | | 1 | | | | |
| 151 | 224443-4 | FLANGE 102 | | 1 | | | | |
| 152 | 326503-9 | AXLE | | 1 | | | | |
| 153 | 224443-4 | FLANGE 102 | | 1 | | | | |

Please order the parts with part number.

Print Date 8/10/2021

Model No.EK8100 POWER CUTTER

| Položka | Objednávacie číslo | Popis | Zmena | ks | New/Old | Možnosť 1 | Možnosť 2 | Poznámka |
|---------|--------------------|-------------------------------|-------|----|---------|-----------|-----------|----------|
| 154 | 257375-0 | SPACER, 8MM | | 1 | | | | |
| 155 | 318746-7 | PRESSURE RING | | 1 | | | | |
| 156 | 442169-8 | SLIDING DISC | | 1 | | | | |
| 157 | 424426-6 | RUBBER RING(INNER) | | 1 | | | | |
| 158 | 424427-4 | RUBBER RING(OUTER) | | 1 | | | | |
| 159 | 442169-8 | SLIDING DISC | | 1 | | | | |
| 160 | 346455-8 | IMPACT PLATE | | 1 | | | | |
| 161 | 807B76-8 | CAUTION LABEL | | 1 | * | | | |
| 161-1 | 807B76-8 | CAUTION LABEL | O | 1 | | | | |
| 162 | 347005-2 | HOOD | | 1 | * | | | |
| 162-1 | 143794-5 | HOOD COMPLETE | < | 1 | | | | |
| D10 | | INC. 161 | | | | | | |
| 163 | 452938-9 | GRIP | | 1 | | | | |
| 164 | 266725-8 | H.L.SOCKET HEAD BOLT M5X16 | | 2 | * | | | |
| 164-1 | 265642-9 | H.L.SOCKET HEAD BOLT M5X16 | O | 2 | | | | |
| 165 | 319289-2 | CUTTING DEVICE | | 1 | | | | |
| 167 | 257998-4 | RETAINING RING 40X1,75 | | 1 | | | | |
| 168 | 211281-3 | BALL BEARING 6203LLU | | 1 | | | | |
| 169 | 257998-4 | RETAINING RING 40X1,75 | | 1 | | | | |
| 170 | 257375-0 | SPACER, 8MM | | 1 | | | | |
| 171 | 211281-3 | BALL BEARING 6203LLU | | 1 | | | | |
| 172 | 213625-3 | O-RING 9 | | 1 | | | | |
| 173 | 123307-8 | STOP BOLT CPL. | | 1 | | | | |
| D10 | | INC. 172 | | | | | | |
| 174 | 266688-8 | HEX. BOLT M8 | | 2 | * | | | |
| 174-1 | 266969-0 | HEX. BOLT M8 | O | 2 | | | | |
| 175 | 234216-7 | COMPRESSION SPRING 8 | | 3 | | | | |
| 176 | 266689-6 | H.L.COLLAR BOLT M6 | | 3 | | | | |
| 177 | 222185-4 | BELT PULLEY | | 1 | | | | |
| 178 | 266976-3 | HEX. BOLT M8X25 | | 1 | | | | |
| 180 | 346457-4 | PLATE | | 1 | | | | |
| 181 | 264112-5 | SQUARE NUT M6 | | 1 | | | | |
| 182 | 234215-9 | COMPRESSION SPRING 6 | | 1 | | | | |
| 183 | 455831-6 | BELT COVER | | 1 | | | | |
| 184 | 266691-9 | TENSIONING SCREW M6 | | 1 | * | | | |
| 184-1 | 265644-5 | TENSIONING SCREW M6 | O | 1 | | | | |
| 185 | 252145-2 | COLLARED HEX NUT M8 | | 2 | | | | |
| 186 | 123369-6 | PARTS FOR WATER ATTCHMENT KIT | | 1 | | | | |
| 187 | 264109-4 | CAPPING NUT | | 1 | | | | |
| 188 | 266949-6 | HOLLOW SCREW, BORED | | 1 | | | | |
| 189 | 266949-6 | HOLLOW SCREW, BORED | | 1 | | | | |
| 190 | 264109-4 | CAPPING NUT | | 1 | | | | |
| 191 | 266950-1 | H.L.SOCKET HEAD BOLT M6X14 | | 1 | | | | |

Please order the parts with part number.

Print Date 8/10/2021

Model No.EK8100 POWER CUTTER

| Položka | Objednávacie číslo | Popis | Zmena | ks | New/Old | Možnosť 1 | Možnosť 2 | Poznámka |
|---------|--------------------|-----------------------------|-------|----|---------|-----------|-----------|----------|
| 192 | 183F34-5 | STARTER-RATCHET SET | | 2 | | | | |
| D10 | | INC. 98,99,100 | | | | | | |
| 193 | 319294-9 | FOOT | | 1 | | | | |
| 194 | 266605-8 | H.L. SOCKET HEAD BOLT M5X16 | | 4 | | | | |
| 195 | 266974-7 | H.L. TAPPING SCREW 5 12 | | 1 | | | | |
| 201 | 422383-2 | SEALING | S | 1 | | | | |
| 202 | 422655-5 | STARTER ROPE | | 1 | | | | |
| A01 | 197200-2 | TOOL KIT | | 1 | * | | | |
| C10 | 782025-3 | TORX WRENCH | | 1 | * | | | |
| C20 | 782028-7 | UNIVERSAL WRENCH 13-19 | | 1 | * | | | |
| C30 | 783012-5 | SCREWDRIVER | | 1 | * | | | |
| C40 | 831340-3 | TOOL BAG | | 1 | * | | | |
| A01-1 | 197200-2 | TOOL KIT | O | 1 | | | | |
| C10 | 782025-3 | TORX WRENCH | | 1 | | | | |
| C20 | 782028-7 | UNIVERSAL WRENCH 13-19 | | 1 | | | | |
| C30 | 783012-5 | SCREWDRIVER | | 1 | | | | |
| C40 | 831340-3 | TOOL BAG | | 1 | | | | |
| A02 | 123121-2 | COUPLING SLEEVE | | 1 | | | | |
| B01 | 135923-4 | BELT COVER ASS'Y | | 1 | | | | |
| D10 | | INC. 180-184 | | | | | | |
| E01 | 809P12-4 | CLEAR LABEL | | 1 | * | | | |

Please order the parts with part number.

Print Date 8/10/2021