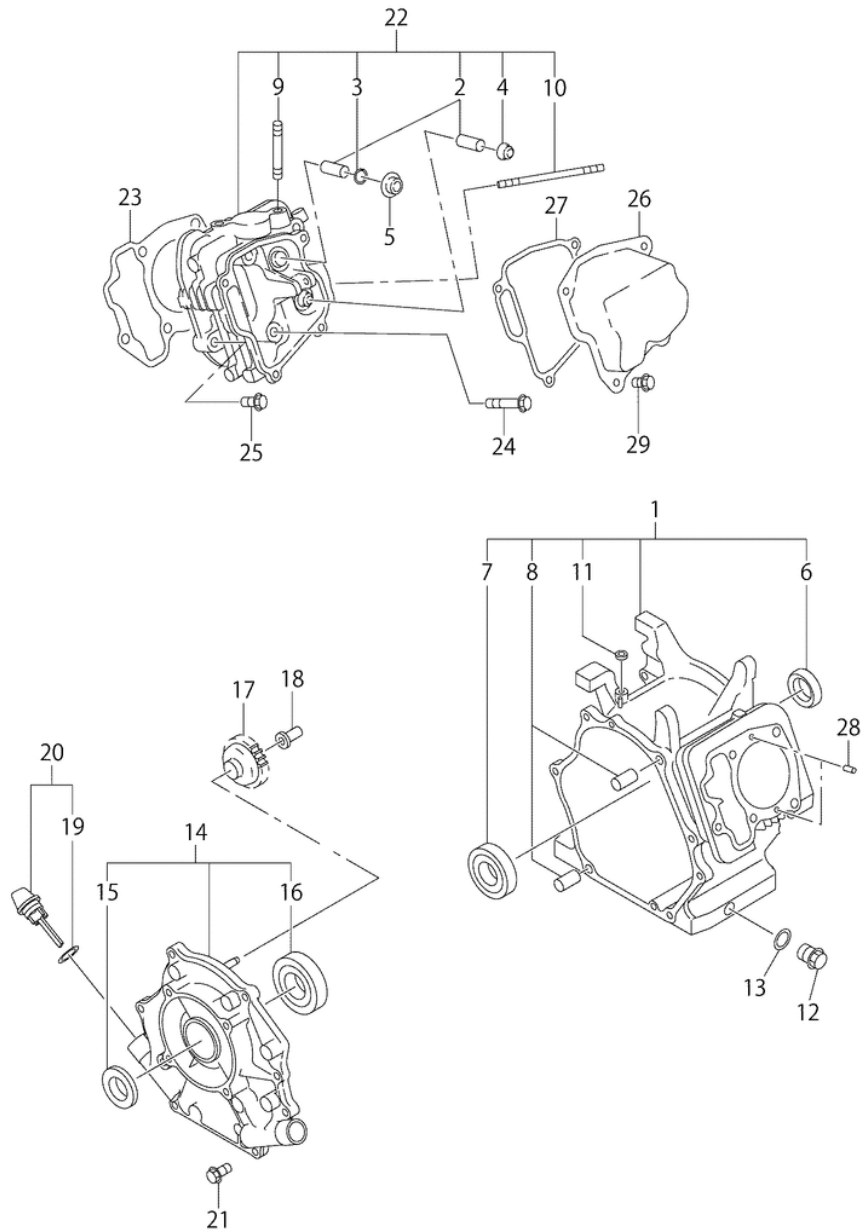




Makita Service Information / Model: EG671A



30 – GASKET SET



Makita Werkzeug Ges.m.b.H.

Airportstr. 4, 2401 Fischamend

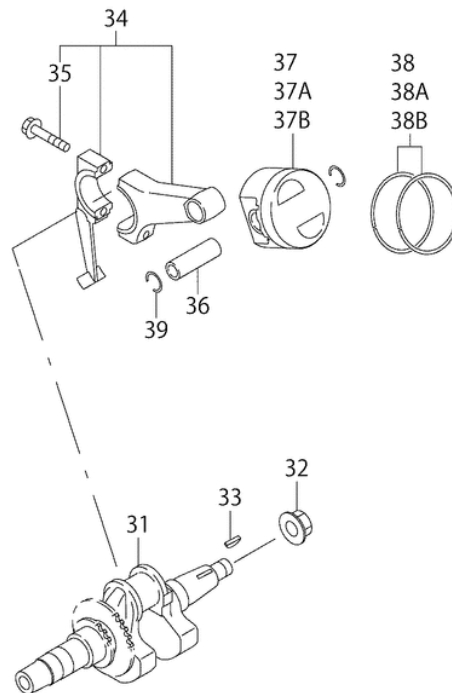
Tel: 02232 / 777 00

Fax: 02232 / 777 00 - 40

Mail: verkauf@makita.at

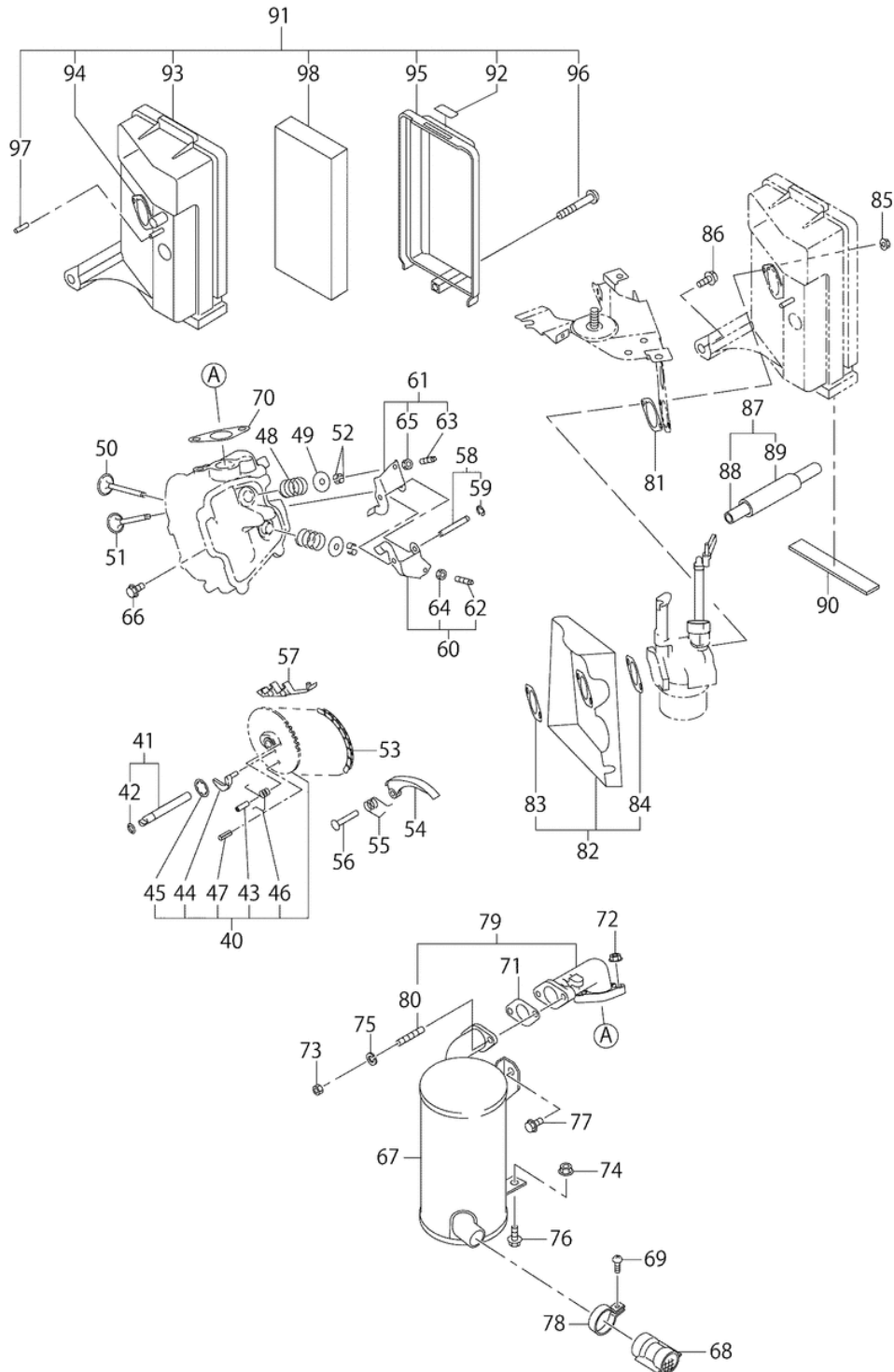
Web: www.makita.at

Makita Service Information / Model: EG671A





Makita Service Information / Model: EG671A





Makita Werkzeug Ges.m.b.H.

Airportstr. 4, 2401 Fischamend

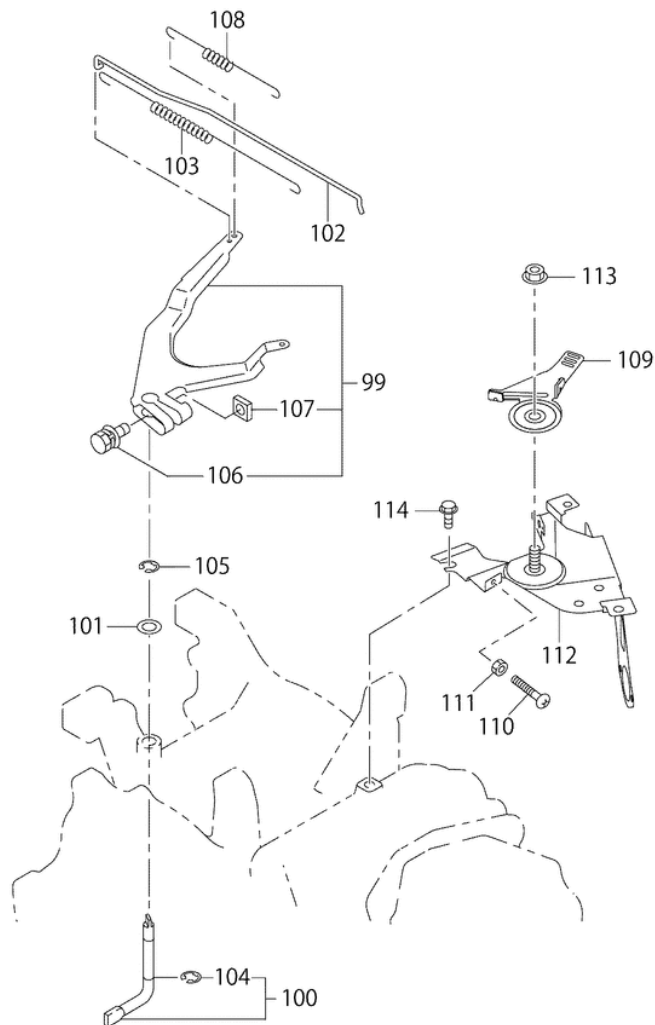
Tel: 02232 / 777 00

Fax: 02232 / 777 00 - 40

Mail: verkauf@makita.at

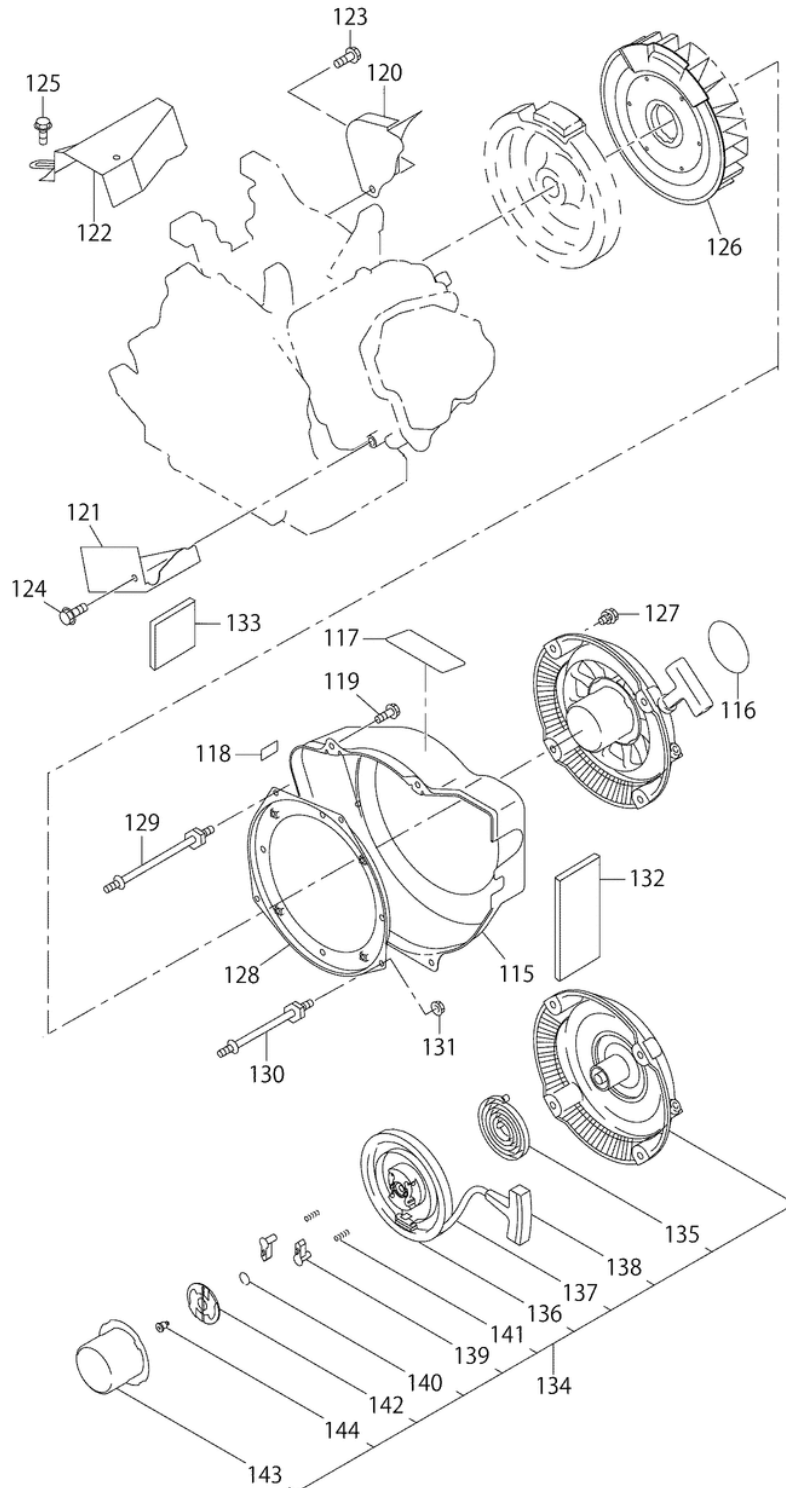
Web: www.makita.at

Makita Service Information / Model: EG671A



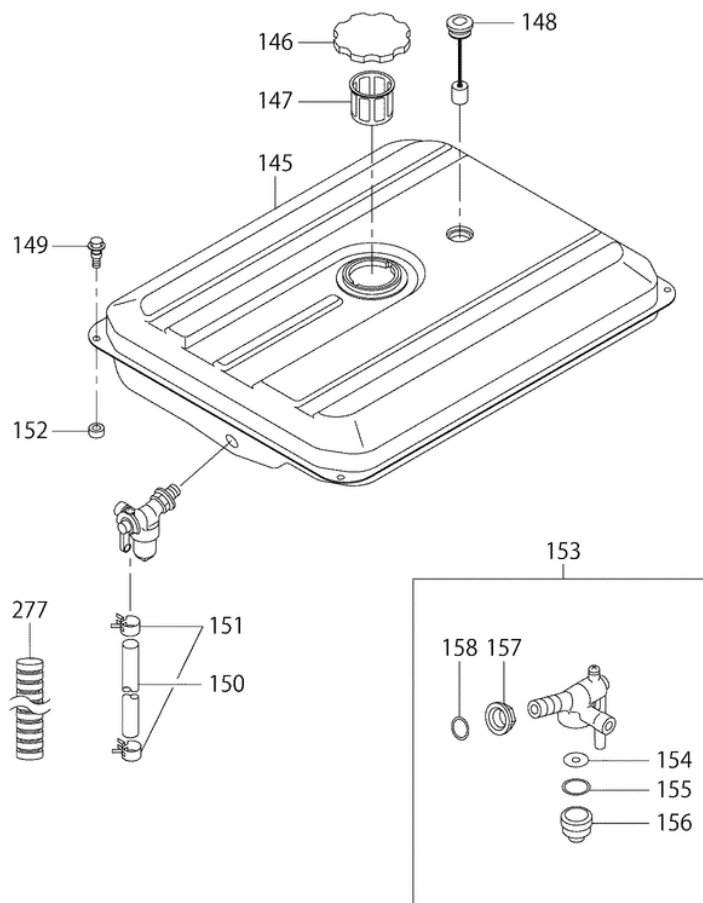


Makita Service Information / Model: EG671A



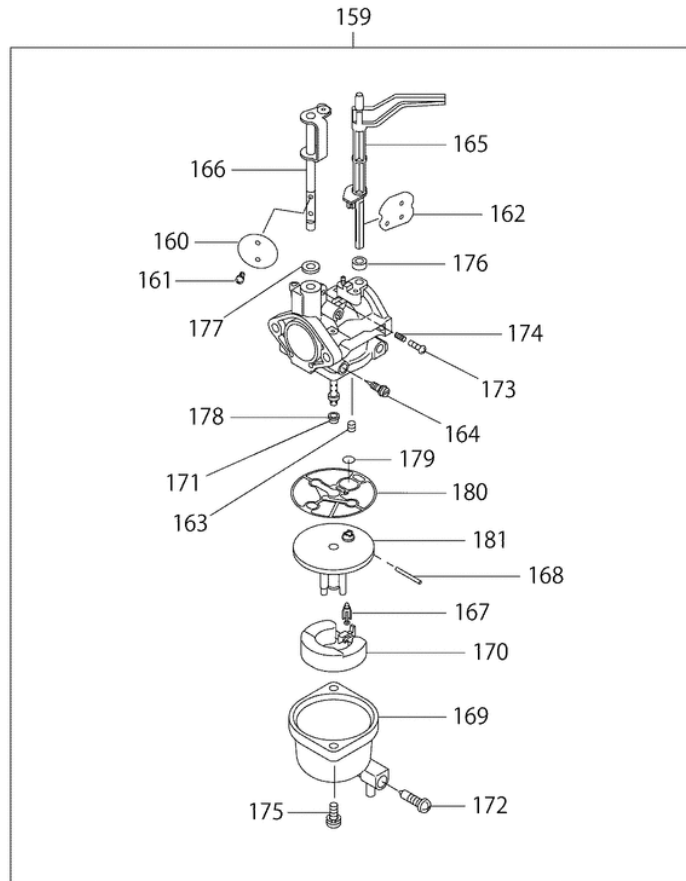


Makita Service Information / Model: EG671A



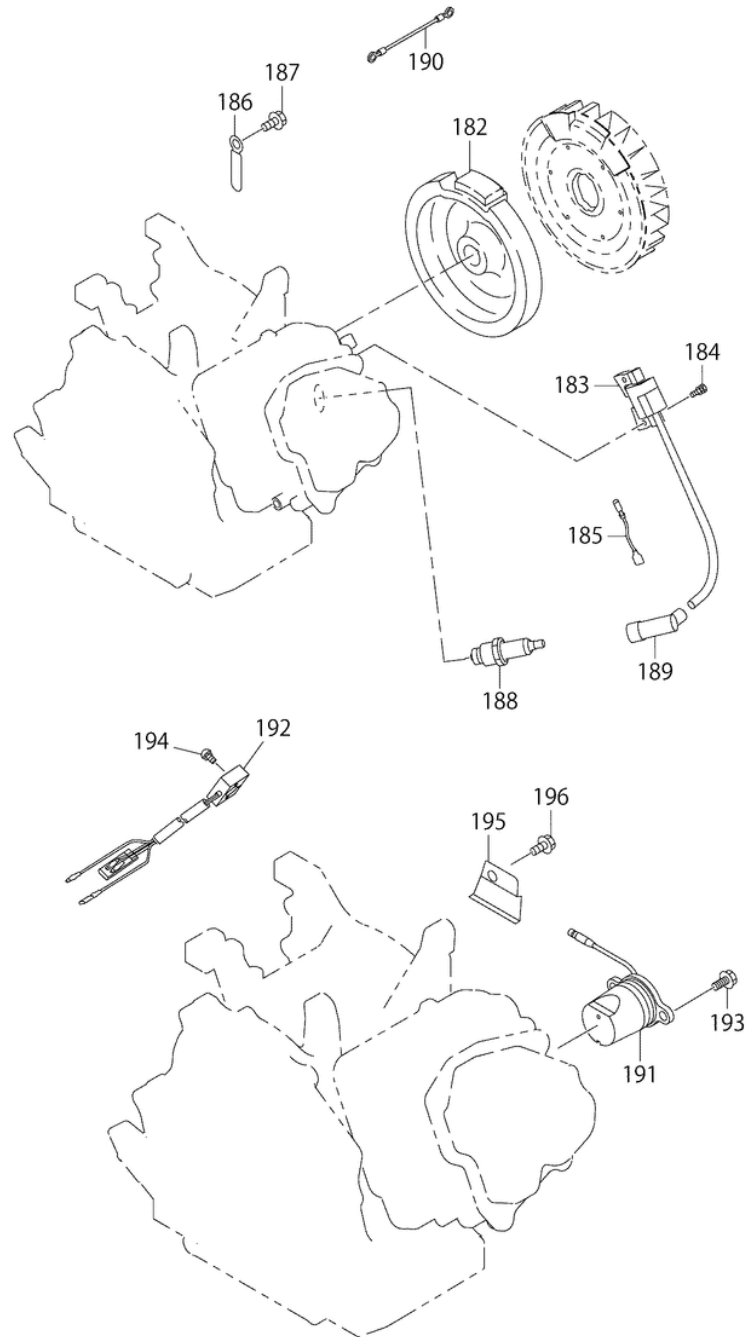


Makita Service Information / Model: EG671A



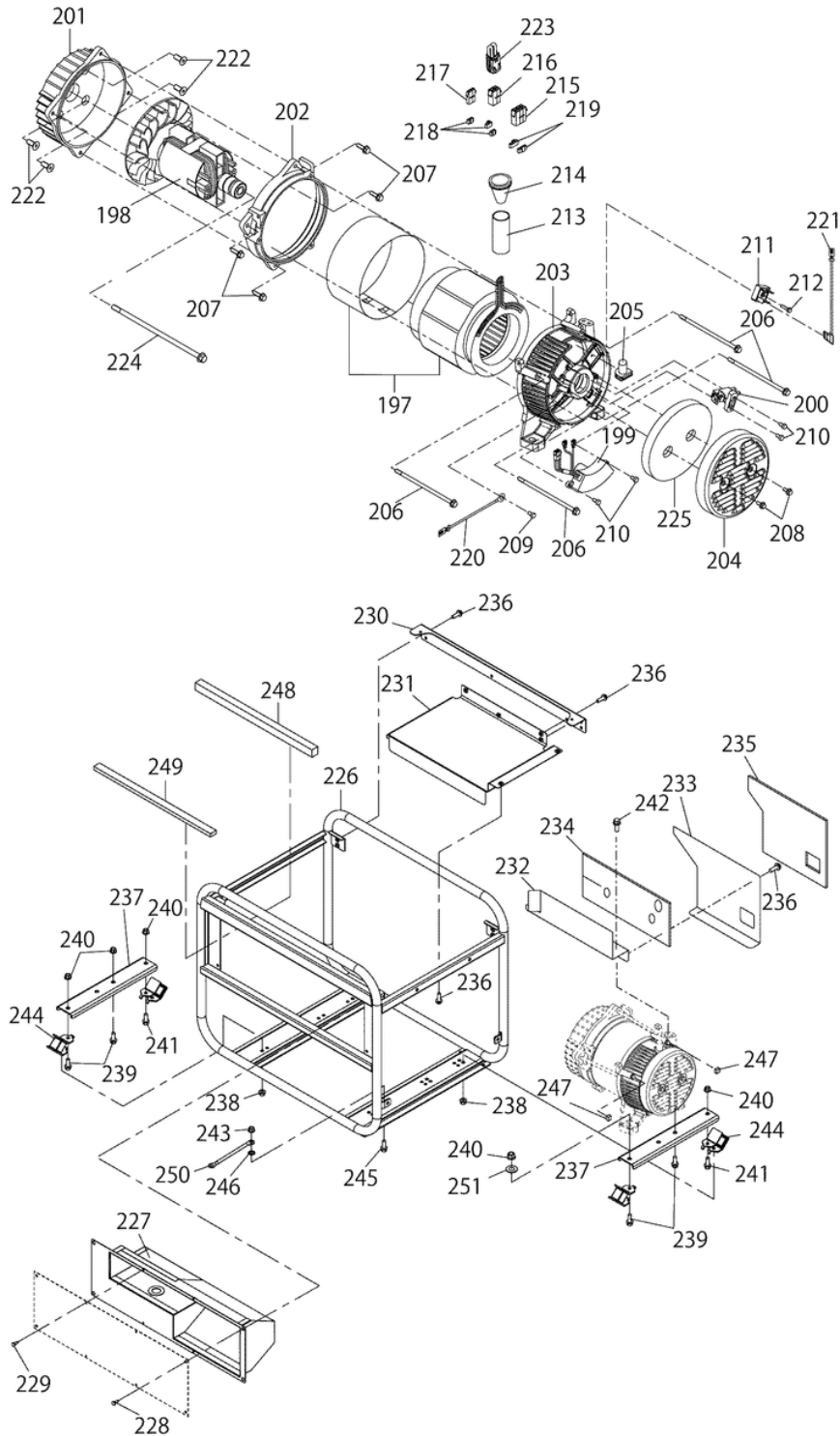


Makita Service Information / Model: EG671A



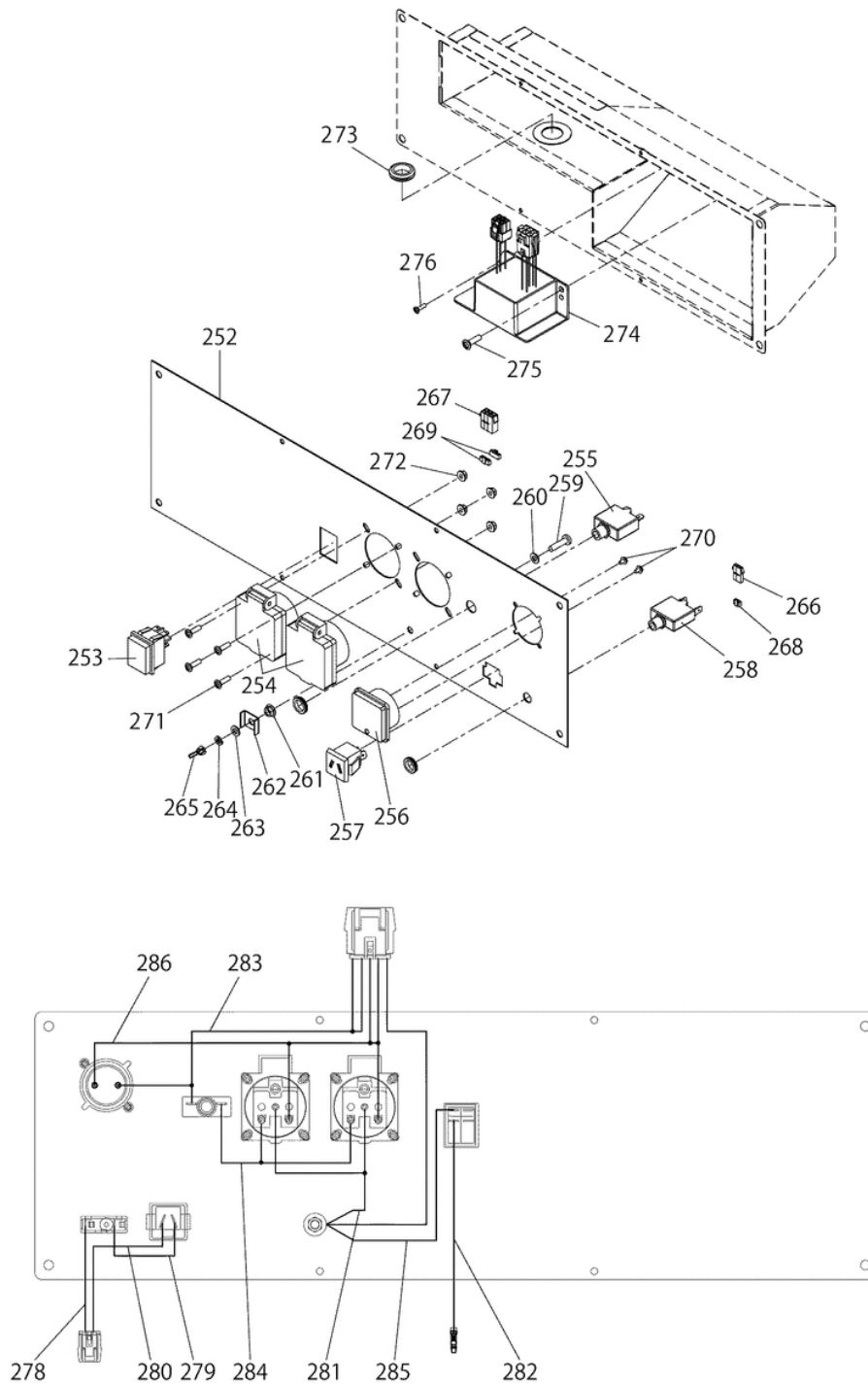


Makita Service Information / Model: EG671A





Makita Service Information / Model: EG671A





Makita Werkzeug Ges.m.b.H.

Airportstr. 4, 2401 Fischamend

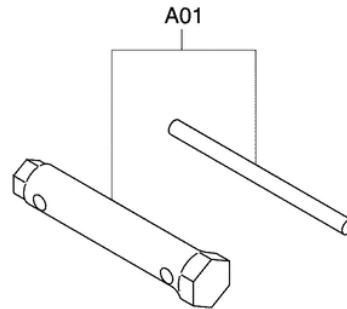
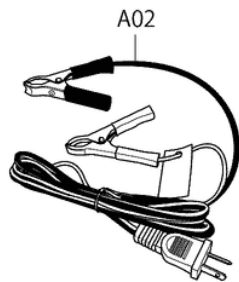
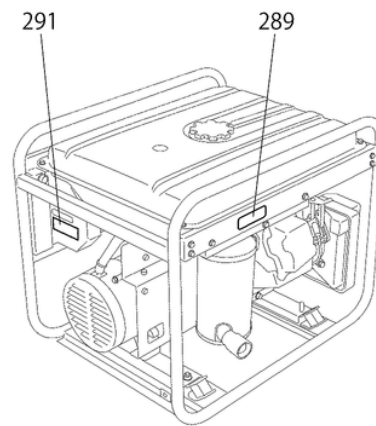
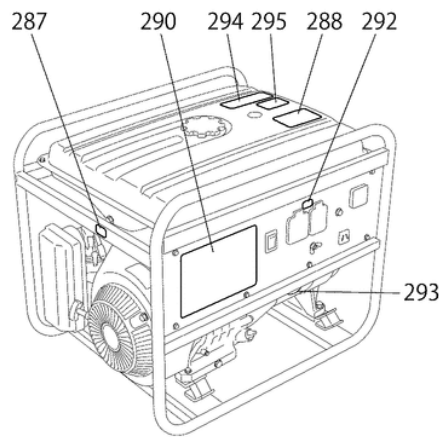
Tel: 02232 / 777 00

Fax: 02232 / 777 00 - 40

Mail: verkauf@makita.at

Web: www.makita.at

Makita Service Information / Model: EG671A





Makita Werkzeug Ges.m.b.H.

Airportstr. 4, 2401 Fischamend

Tel: 02232 / 777 00

Fax: 02232 / 777 00 - 40

Mail: verkauf@makita.at

Web: www.makita.at

Makita Service Information / Model: EG671A

POS	Bestell-Nr.	Artikelbeschreibung	Stk.	Stk.Preis
1	20B1010431	Crank Case CP	1	N/A
1		*** INC. 6-8,11		N/A
2	20B1420203	VALVE GUIDE	2	N/A
3	0565100050	Clip	1	N/A
4	13211AA110	SEAL (Intake Valve)	1	N/A
5	2633534103	RETAINER PLATE	1	N/A
6	0440350090	Oil Seal (TB 35x48x8mm)	1	N/A
6.2	0440350091	Oil Seal (TB 35x48x8mm)	1	N/A
7	X600350240	Ball Bearing	1	N/A
8	2771501103	PIPE 10.3Dx8.5Dx14L	2	N/A
9	0105080290	Muffler Stud	2	N/A
10	0105060351	STUD M6x1.0x98L	2	N/A
11	0440080010	OIL SEAL	1	N/A
12	0401140030	PLUG	2	N/A
13	0211140020	GASKET	2	N/A
14	20B1100411	Main Bearing Cover Cp	1	N/A
14		*** INC. 15-16		N/A
14.2	20B1100421	MAINBEARING COVER CP	1	N/A
14.2		*** INC. 15-16		N/A
15	0440350090	Oil Seal (TB 35x48x8mm)	1	N/A
15.2	0440350091	Oil Seal (TB 35x48x8mm)	1	N/A
16	X600350240	Ball Bearing	1	N/A
17	20B4500301	Governor Gear CP	1	N/A
17.2	20B4500311	GOVERNOR GEAR CP	1	N/A
18	2774190103	Governor sleeve	1	N/A
18.2	2774190201	GOVERNOR SLEEVE CP	1	N/A
19	0213200050	GASKET	2	N/A
19.2	2796360108	GASKET	2	N/A
20	2796360130	Oil Gauge	2	N/A
20		*** INC. 19		N/A
21	0110080340	Flange Bolt	8	N/A
22	20B1300100	CYLINDER HEAD AY	1	N/A
22		*** INC. 2-4,9-10		N/A
23	20B1500103	Gasket (Head)	1	N/A
23.2	20B1500123	GASKET(HEAD)	1	N/A
23.3	20B1500133	GASKET(HEAD)	1	N/A
24	0110100040	Flange Bolt	4	N/A
25	0010408350	Flange Bolt	2	N/A
26	20B1550101	ROCKER COVER CP	1	N/A
27	20B1600103	GASKET	1	N/A



Makita Werkzeug Ges.m.b.H.

Airportstr. 4, 2401 Fischamend

Tel: 02232 / 777 00

Fax: 02232 / 777 00 - 40

Mail: verkauf@makita.at

Web: www.makita.at

Makita Service Information / Model: EG671A

POS	Bestell-Nr.	Artikelbeschreibung	Stk.	Stk.Preis
28	0310060010	DOWEL PIN	2	N/A
29	0110060020	Flange Bolt M6x1.0x14Dx12L	4	N/A
30	20B9900107	GASKET SET	1	N/A
30.2	20B9900117	GASKET SET	1	N/A
30.3	20B9900117	GASKET SET	1	N/A
30.3		*** INC.013,019,023,027,070,081,		N/A
30.3		*** INC.083,084		N/A
30.4	20B9900127	GASKET SET	1	N/A
30.4		*** INC.013,019,023,027,070,081,		N/A
30.4		*** INC.083,084		N/A
30.5	20B9900137	GASKET SET	1	N/A
30.5		*** INC.013,019,023,027,070,081,		N/A
30.5		*** INC.083,084		N/A
31	20B2070101	CRANK SHAFT COMPLETE	1	N/A
32	0180180010	FLANGE NUT M18x15x31Dx14H	1	N/A
33	0053205401	WOODRUFF KEY	1	N/A
34	20B2250100	CONNECTING ROD AY	1	N/A
34		*** INC. 35		N/A
34.2	20B2250300	CONNECTING ROD AY	1	N/A
34.2		*** INC. 35		N/A
35	0010508400	Flange Bolt	2	N/A
36	2632330133	PISTON PIN	1	N/A
37	20B23401H3	PISTON	1	N/A
37	20B23403H3	PISTON O/S 0.25	1	N/A
37	20B23404H3	PISTON O/S 0.5	1	N/A
37.2	20B23401J3	PISTON	1	N/A
37.2	20B23403J3	PISTON O/S 0.25	1	N/A
37.2	20B23404J3	PISTON O/S 0.5	1	N/A
38	20B2350107	PISTON RING Set	1	N/A
38	20B2350207	PISTON RING Set O/S 0.25	1	N/A
38	20B2350307	PISTON RING O/S 0.5	1	N/A
39	0565210020	CLIP	2	N/A
40	20B3160210	CAM SHAFT AY	1	N/A
40		*** INC. 43-47		N/A
41	20B3510121	Pin (Cam Shaft) CP	1	N/A
42	0240070021	O Ring	1	N/A
43	0051904100	SPRING PIN	1	N/A
44	2773640103	RELEASE LEVER	1	N/A
44.2	2773640113	RELEASE LEVER	1	N/A
45	20B3650103	Clip	1	N/A



Makita Werkzeug Ges.m.b.H.

Airportstr. 4, 2401 Fischamend

Tel: 02232 / 777 00

Fax: 02232 / 777 00 - 40

Mail: verkauf@makita.at

Web: www.makita.at

Makita Service Information / Model: EG671A

POS	Bestell-Nr.	Artikelbeschreibung	Stk.	Stk.Preis
46	20B3870103	RETURN SPRING	1	N/A
47	0318050020	Roll Pin	1	N/A
48	2463361103	VALVE SPRING	2	N/A
49	2463371113	SPRING RETAINER	2	N/A
50	20B33401H3	Intake Valve	1	N/A
51	20B33501H3	Exhaust Valve	1	N/A
52	2463550103	Clip	4	N/A
53	20B35601H1	Timing Chain cp.	1	N/A
54	2773691103	TENSIONER	1	N/A
54.2	20A3691103	TENSIONER EG241A	1	N/A
55	2773710103	SPRING (Tensioner)	1	N/A
56	2773690203	PIN 6Dx13Dx34L	1	N/A
57	2773691313	CHAIN GUIDE	1	N/A
57.2	20A3691303	KETTENFÜHRUNG EG241A	1	N/A
58	20B3500101	PIN (Rocker) CP	1	N/A
58		*** INC. 59		N/A
59	0031306000	Clip	1	N/A
60	20B3610100	Rocker Arm (In) AY	1	N/A
60		*** INC. 62,64		N/A
61	20B3610210	Rocker Arm (Ex) AY	1	N/A
61		*** INC. 63,65		N/A
62	0149050020	ADJUST SCREW M5x23	1	N/A
63	0149050020	ADJUST SCREW M5x23	1	N/A
64	0170050030	NUT M5	1	N/A
65	0170050030	NUT M5	1	N/A
66	0110060010	Flange Bolt	1	N/A
67	20B30103A1	MUFFLER CP	1	N/A
68	20B3760211	SILENCER CP	1	N/A
69	0043104160	SCREW Panhead	1	N/A
70	20B3520103	GASKET (Muffler)	1	N/A
70.2	20B3520113	GASKET(MUFFLER)	1	N/A
71	2703520101	Gasket Complete (exhaust)	1	N/A
72	0023808000	FLANGE NUT	2	N/A
73	0021808000	NUT	2	N/A
74	0023808000	FLANGE NUT	1	N/A
75	0032008000	SPRING WASHER	2	N/A
76	0110080010	Flange Bolt	1	N/A
77	0110080320	Flange Bolt	1	N/A
78	20B3920301	SILENCER RING	1	N/A
79	20B3400101	Exhaust Pipe Complete	1	N/A



Makita Werkzeug Ges.m.b.H.

Airportstr. 4, 2401 Fischamend

Tel: 02232 / 777 00

Fax: 02232 / 777 00 - 40

Mail: verkauf@makita.at

Web: www.makita.at

Makita Service Information / Model: EG671A

POS	Bestell-Nr.	Artikelbeschreibung	Stk.	Stk.Preis
79		*** INC. 79		N/A
80	0105080290	Muffler Stud	2	N/A
81	20B3590313	GASKET 3	1	N/A
82	20B32901J1	INSULATOR CP	1	N/A
82		*** INC. 83-84		N/A
82.2	20B32901K1	INSULATOR CP	1	N/A
82.2		*** INC. 83-84		N/A
83	20B35902H3	GASKET 2	1	N/A
84	20B35901H3	GASKET 1	1	N/A
85	0023806000	FLANGE NUT M6	2	N/A
86	0010406160	Flange Bolt	1	N/A
87	20B66001H0	RUBBER PIPE AY	1	N/A
87		*** INC. 88-89		N/A
88	X851100170	RUBBER PIPE	1	N/A
89	20B69001H3	Sponge Protector	1	N/A
90	20B3280101	SPONGE	2	N/A
91	20B32621H0	AIR CLEANER AY	1	N/A
91		*** INC. 92-98		N/A
91.2	20B32621J0	AIR CLEANER AY	1	N/A
91.2		*** INC. 92-98		N/A
92	20B32660H8	CHOKE LABEL	1	N/A
92.2	0732004430	LABEL (Choke)	1	N/A
93	20B32631H8	AIR CLEANER BODY	1	N/A
93.2	20B32631J8	LUFTFILTER	1	N/A
94	20B32720H8	Packing	1	N/A
95	20B32640H8	AIR CLEANER COVER	1	N/A
96	20B32650H8	BOLT	1	N/A
97	20B32850H8	CAP	1	N/A
98	20B32610H7	Element	1	N/A
98.2	20B32610J7	ELEMENT AY	1	N/A
99	20B4230110	Governor Lever	1	N/A
99		*** INC. 106-107		N/A
100	20B4220101	Governor Shaft CP	1	N/A
100		*** INC. 104		N/A
101	0031108000	WASHER	1	N/A
102	20B4270113	Governor Rod	1	N/A
103	20B4280113	ROD SPRING	1	N/A
104	0031306000	Clip	1	N/A
105	0031306000	Clip	1	N/A
106	0011406250	Bolt & Washer Ass'y	1	N/A



Makita Werkzeug Ges.m.b.H.

Airportstr. 4, 2401 Fischamend

Tel: 02232 / 777 00

Fax: 02232 / 777 00 - 40

Mail: verkauf@makita.at

Web: www.makita.at

Makita Service Information / Model: EG671A

POS	Bestell-Nr.	Artikelbeschreibung	Stk.	Stk.Preis
107	0186060020	NUT M6x1.0x4.9H	1	N/A
108	20B4250213	GOVERNOR SPRING	1	N/A
109	20B4335103	GOVERNOR SPRING	1	N/A
110	0043106400	SCREW	1	N/A
111	0022706000	NUT M6	1	N/A
112	20B4600121	SPEED CONTROL BKT CP	1	N/A
113	0023506000	SELF LOCK NUT	1	N/A
114	0110060020	Flange Bolt M6x1.0x14Dx12L	1	N/A
115	20B51201H1	Blower Housing	1	N/A
116	0732005820	LABEL (Trade Mark)	1	N/A
117	0732005760	LABEL (Warning)	1	N/A
118	0732005570	CAUTION LABEL	1	N/A
119	0010406160	Flange Bolt	5	N/A
120	2795271111	BAFFLE (Case) complete	1	N/A
121	20B52702H1	BAFFLE 2 (Head) CP	1	N/A
122	20B5500103	Duct (Case)	1	N/A
123	0016508120	Bolt	1	N/A
124	0110060020	Flange Bolt M6x1.0x14Dx12L	3	N/A
125	0110060020	Flange Bolt M6x1.0x14Dx12L	3	N/A
126	20B54101H3	FAN	1	N/A
127	0130060281	Bolt & Washer Ass'y	4	N/A
128	20B5510102	Connecting Plate	1	N/A
129	0100080440	Bolt	1	N/A
130	0100080450	Bolt	2	N/A
131	0023806000	FLANGE NUT M6	3	N/A
132	20B5960103	SPONGE	1	N/A
133	20B5960203	SPONGE	1	N/A
134	20B5070120	RECOIL STARTER AY	1	N/A
134		*** INC. 135-144		N/A
135	2775015508	SPIRAL SPRING	1	N/A
136	20B5012008	REEL	1	N/A
137	20B5011008	STARTER ROPE	1	N/A
138	2615010018	STARTER KNOB	1	N/A
139	1615012508	Ratchet	2	N/A
140	2275013108	FRICTION SPRING	1	N/A
141	2275013508	RETURN SPRING	2	N/A
142	1615015008	GUIDE PLATE	1	N/A
143	20B5014608	PULLEY	1	N/A
144	20B5010108	Screw	1	N/A
145	31H3600501	FUEL TANK , CPL.	1	N/A



Makita Werkzeug Ges.m.b.H.

Airportstr. 4, 2401 Fischamend

Tel: 02232 / 777 00

Fax: 02232 / 777 00 - 40

Mail: verkauf@makita.at

Web: www.makita.at

Makita Service Information / Model: EG671A

POS	Bestell-Nr.	Artikelbeschreibung	Stk.	Stk.Preis
146	0430590011	ZÁTKA BENZ.NÁDRŽE KPL.	1	N/A
147	0641540011	FILTER PALIVA	1	N/A
148	0648001500	Fuel Gauge complete	1	N/A
149	0110060220	Flange Bolt	4	N/A
150	0851061860	RUBBER PIPE	1	N/A
151	0561100030	HOSE CLAMP	2	N/A
152	3913900013	RUBBER (Tank)	4	N/A
153	0642006400	Strainer, Tank	1	N/A
153		*** INC. 154-158		N/A
154	0642006420	SCREW	1	N/A
155	0642006410	RUBBER PACKING	1	N/A
156	0642004210	CUP	1	N/A
157	0642006430	NUT	1	N/A
158	0642006440	RUBBER PACKING	1	N/A
159	20B6230110	CARBURETOR	1	N/A
159		*** INC, 160-181		N/A
159.2	20B6230120	CARBURETOR AY	1	N/A
159.2		*** INC, 160-181		N/A
159.3	20B6230140	CARBURETOR AY	1	N/A
159.3		*** INC, 160-181		N/A
160	20B6253508	Valve Throttle	1	N/A
161	2616235208	SCREW Valve Set	2	N/A
162	20B6252608	CHOKE VALVE	1	N/A
163	20B6242008	Jet slow	1	N/A
163.2	20B6242308	JET, SLOW	1	N/A
164	20B6235708	Needle CP	1	N/A
164.2	2616243508	NEEDLE(IDLE ADJUST)	1	N/A
165	20B6252718	CHOKE SHAFT	1	N/A
166	20B6253008	THROTTLE SHAFT	1	N/A
167	20B6250008	VALVE AY FLOAT	1	N/A
168	2636251508	PIN Float	1	N/A
169	20B6255008	Float	1	N/A
170	20B6250508	Float Ay	1	N/A
171	20B6240008	Jet	1	N/A
171.2	20B6241908	JET, MAIN (#117)	1	N/A
172	20B6235408	SCREW	1	N/A
173	20B6235308	Screwthro. Adjust	1	N/A
174	20B6244508	Adjust	1	N/A
175	20B6245308	SCREW	2	N/A
176	2586255408	Filter Choke Shaft	1	N/A



Makita Werkzeug Ges.m.b.H.

Airportstr. 4, 2401 Fischamend

Tel: 02232 / 777 00

Fax: 02232 / 777 00 - 40

Mail: verkauf@makita.at

Web: www.makita.at

Makita Service Information / Model: EG671A

POS	Bestell-Nr.	Artikelbeschreibung	Stk.	Stk.Preis
177	2266258008	AIR FILTER	1	N/A
178	20B6254208	O RING	1	N/A
179	20B6254108	O RING	1	N/A
180	20B6254008	SPACER	1	N/A
181	20B6252008	SPACER	1	N/A
182	20B79230H1	FLYWHEEL CP	1	N/A
183	20B79430H1	IGNITION COIL CP	1	N/A
184	0011406300	Bolt & Washer Ass'y	2	N/A
185	20B7310101	Wire 1 CP	1	N/A
186	2147900601	Clamp Complete	1	N/A
187	0110060010	Flange Bolt	1	N/A
188	0650140150	SVIEČKA BR6HS NA ELEKTROCENTRÁLY	1	N/A
189	0655000320	SPARK PLUG	1	N/A
190	20B7310201	Wire 2 CP	1	N/A
191	2797630151	Oil Level Sensor cpl.	1	N/A
192	KU31107601	Float	1	N/A
193	0010406140	Flange Bolt	2	N/A
194	0043604120	SCREW & WASHER AY	2	N/A
195	20B7550103	Wire Clamp	1	N/A
196	0152060050	Tapping Bolt	1	N/A
197	36E2000308	Stator	1	N/A
198	36E2010208	Rotor	1	N/A
199	36E2020308	autom. voltage regulator	1	N/A
200	36A2030008	Brush	1	N/A
201	36D2200008	Gen Bracket 1	1	N/A
202	36C2210008	BRACKET N	1	N/A
203	36C2220008	BRACKET 2	1	N/A
204	36C2300008	BRACKET COVER	1	N/A
205	36C2500008	BUSHING	1	N/A
206	36E2100108	Stator Bolt	4	N/A
207	36A8000508	Flange Bolt	4	N/A
208	36A8000108	Flange Bolt	2	N/A
209	36A8010008	SCREW & WASHER	1	N/A
210	36A8000208	Flange Bolt	4	N/A
211	36A2500108	DIODE	1	N/A
212	36A8010108	SCREW & WASHER ASS'Y	1	N/A
213	36C2500208	TUBE	1	N/A
214	36A2500308	GROMMET	1	N/A
215	36A7000008	CONNECTOR 6P	1	N/A
216	36A7000408	CONNECTOR 4P	1	N/A



Makita Werkzeug Ges.m.b.H.

Airportstr. 4, 2401 Fischamend

Tel: 02232 / 777 00

Fax: 02232 / 777 00 - 40

Mail: verkauf@makita.at

Web: www.makita.at

Makita Service Information / Model: EG671A

POS	Bestell-Nr.	Artikelbeschreibung	Stk.	Stk.Preis
217	36A7000208	CONNECTOR 2P	1	N/A
218	36A7010108	RETAINER 2P	3	N/A
219	36A7010008	RETAINER 3P	2	N/A
220	36A7101308	Wire Green	1	N/A
221	36A7100108	Wire White	1	N/A
222	36A8020008	Screw	4	N/A
223	36A7000508	CONNECTOR	1	N/A
224	36E2110108	Rotor Bolt	1	N/A
225	36C2500408	SPONGE (Filter)	1	N/A
226	36D3000108	Pipe Frame CP	1	N/A
227	36C4000108	Control box Ay	1	N/A
228	36A8010408	SCREW & WASHER AY	4	N/A
229	36A8010508	SCREW & WASHER AY	4	N/A
230	36D3400008	BRACKET (Tank-A) CP	1	N/A
231	36D3410108	GUIDE PLATE	1	N/A
232	36D3410208	PLATE ALT1	1	N/A
233	36D3410308	PLATE ALT2	1	N/A
234	36D3410408	SPONGE 1 (Barrier)	1	N/A
235	36D3410508	SPONGE 2 (Barrier)	1	N/A
236	36A8030008	Bolt & Washer Ass'y	12	N/A
237	36D3300008	Mount Base CP	2	N/A
238	36A8100208	FLANGE NUT	8	N/A
239	36A8000608	Flange Bolt	4	N/A
240	36A8100308	FLANGE NUT	6	N/A
241	36A8000708	Flange Bolt	2	N/A
242	36A8000808	Flange Bolt	1	N/A
243	36A8100408	FLANGE NUT	1	N/A
244	36D3700008	MOUNTING BAR	4	N/A
245	36A8000408	Flange Bolt	1	N/A
246	36A8200108	LOCK WASHER	1	N/A
247	36A2500508	SPONGE (GEN)	2	N/A
248	36D3500008	SPONGE (Tank)	1	N/A
249	36C3500108	SPONGE (Panel)	1	N/A
250	36A7101908	Wire Green/Yellow	1	N/A
251	36A8220208	WASHER	1	N/A
252	36E4100408	CONTROL PANEL CP	1	N/A
253	36A4900008	SWITCH (Engine)	1	N/A
254	36A4700108	AC Concent (Ger)	2	N/A
255	36E4800108	CIRCUIT BREAKER (24A)	1	N/A
256	36A4900108	Volt Meter	1	N/A



Makita Werkzeug Ges.m.b.H.

Airportstr. 4, 2401 Fischamend

Tel: 02232 / 777 00

Fax: 02232 / 777 00 - 40

Mail: verkauf@makita.at

Web: www.makita.at

Makita Service Information / Model: EG671A

POS	Bestell-Nr.	Artikelbeschreibung	Stk.	Stk.Preis
257	36A4710108	DC Concent	1	N/A
258	36A4800108	VYPÍNAČ EG601A	1	N/A
259	36A8010208	SCREW & WASHER AY	1	N/A
260	36A8200008	LOCK WASHER	1	N/A
261	36A8100008	FLANGE NUT	1	N/A
262	36A8210008	Cap Washer	1	N/A
263	36A8220008	Washer	1	N/A
264	36A8230008	SPRING WASHER	1	N/A
265	36A8110008	WING NUT	1	N/A
266	36A7000308	CONNECTOR 2P	1	N/A
267	36A7000108	CONNECTOR 6P	1	N/A
268	36A7010108	RETAINER 2P	1	N/A
269	36A7010008	RETAINER 3P	2	N/A
270	36A8010308	SCREW & WASHER	2	N/A
271	36A8020108	SCREW	8	N/A
272	36A8100108	FLANGE NUT	8	N/A
273	36C4990008	Grommet	1	N/A
274	36A7500108	Noise Filter	1	N/A
275	36A8030008	Bolt & Washer Ass'y	1	N/A
276	36A8010708	SCREW & WASHER	1	N/A
277	36D6000108	Corrugated Tube (150)	1	N/A
278	36A7100208	Wire White	1	N/A
279	36A7100308	Wire White	1	N/A
280	36A7100408	Wire Black	1	N/A
281	36A7101408	Wire Green	1	N/A
282	36A7100608	Wire Black	1	N/A
283	36A7101508	Wire Red	1	N/A
284	36A7101608	Wire Red	1	N/A
285	36A7101708	Wire Green	1	N/A
286	36A7101808	Wire Blue	1	N/A
287	36A9800108	LABEL (Fuel Cock)	1	N/A
288	36A9800208	LABEL (Symbol Tank)	1	N/A
289	36A9800308	LABEL (Hot & Gas)	1	N/A
290	36E9000408	LABEL (Trade Mark)	1	N/A
291	36E9100408	LABEL (spec)	1	N/A
292	36A9800408	LABEL (Elec. Shock)	1	N/A
293	0732005820	LABEL (Trade Mark)	1	N/A
294	36A9802108	LABEL (Ce Caution)	1	N/A
295	36C9800108	LABEL (Sound 97DB)	1	N/A
1001	2249030300	ACCESSORY TOOLS KIT	1	N/A



Makita Werkzeug Ges.m.b.H.

Airportstr. 4, 2401 Fischamend

Tel: 02232 / 777 00

Fax: 02232 / 777 00 - 40

Mail: verkauf@makita.at

Web: www.makita.at

Makita Service Information / Model: EG671A

POS	Bestell-Nr.	Artikelbeschreibung	Stk.	Stk.Preis
1002	36A7900008	BATTERY CABLE	1	N/A