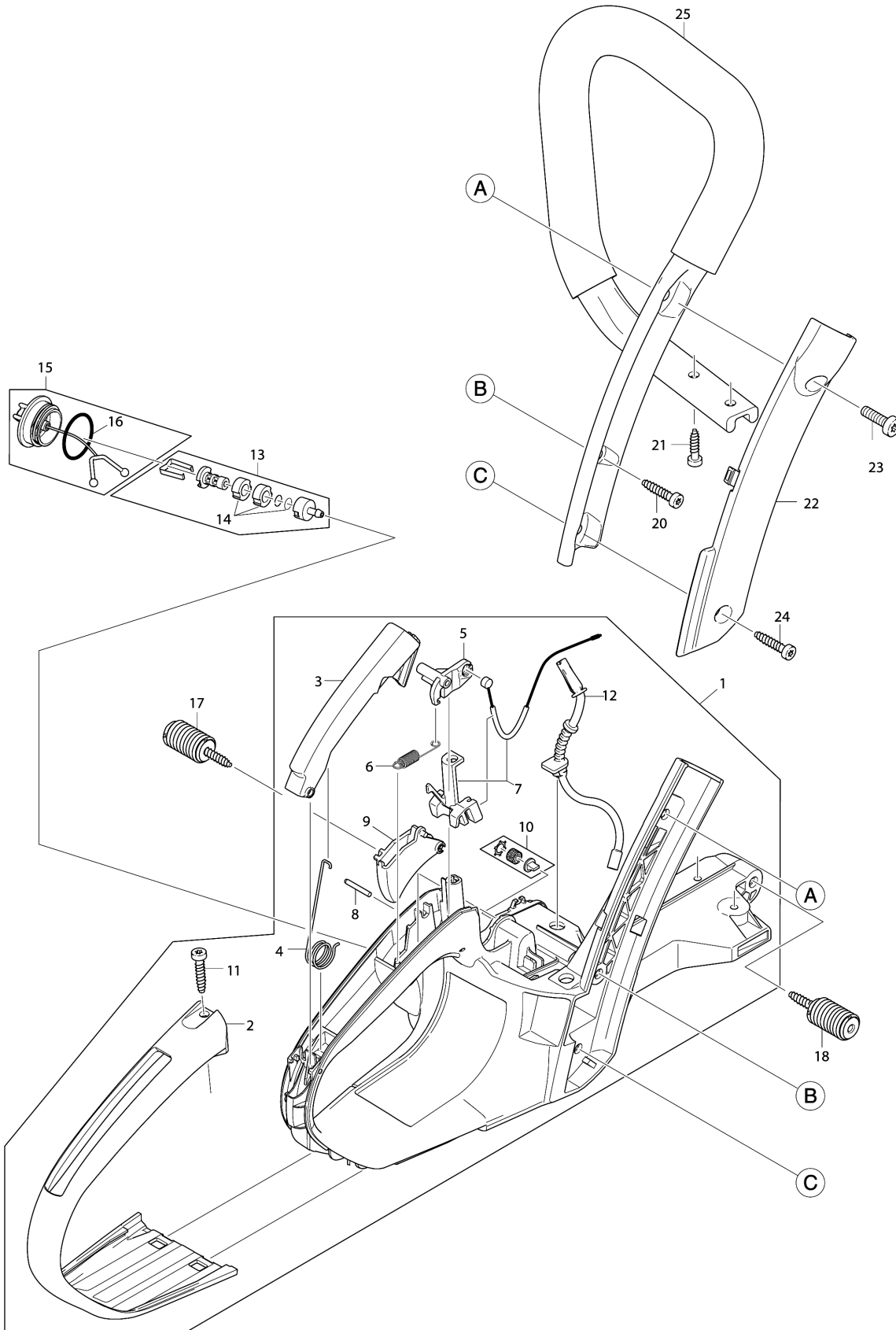
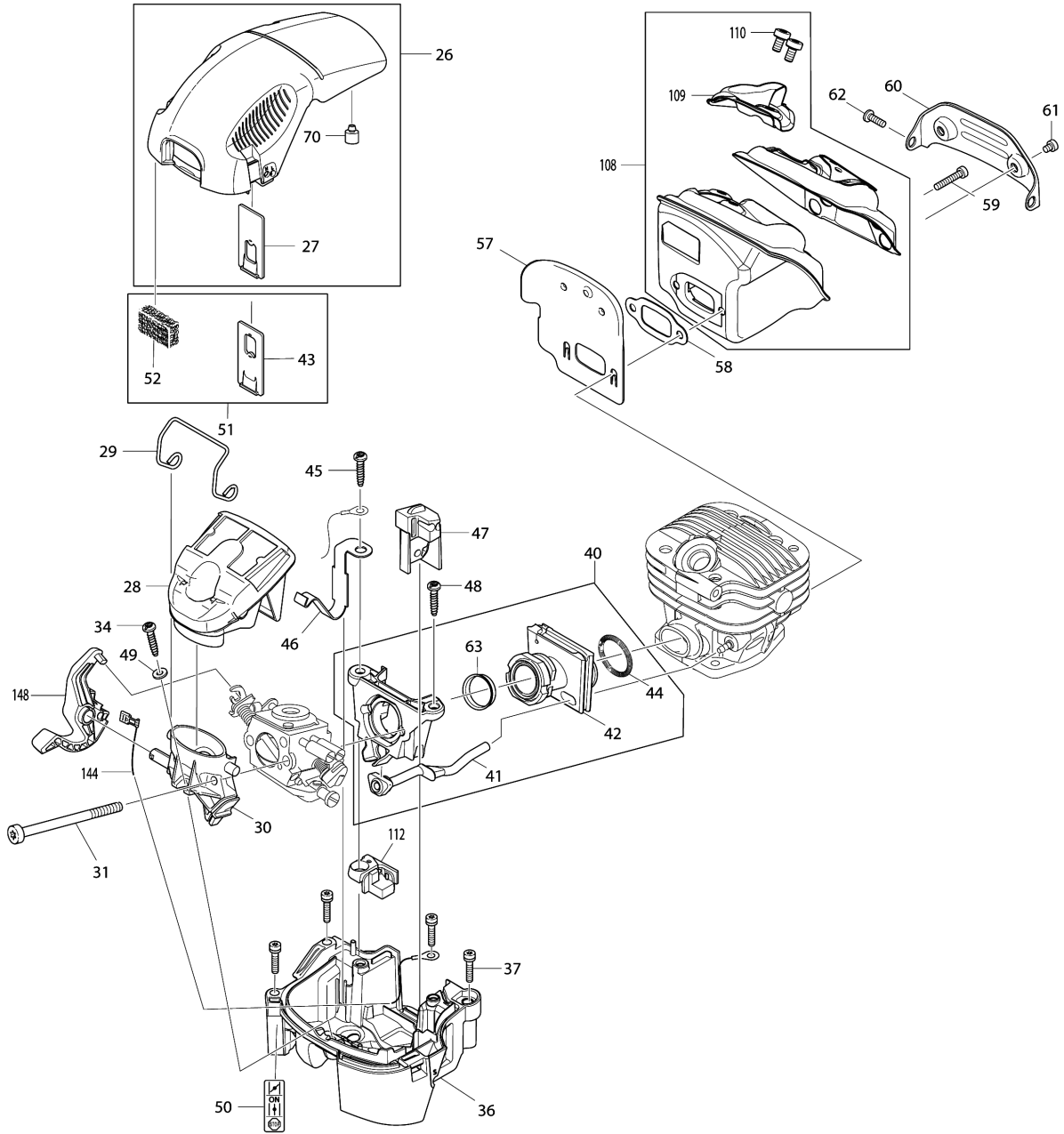


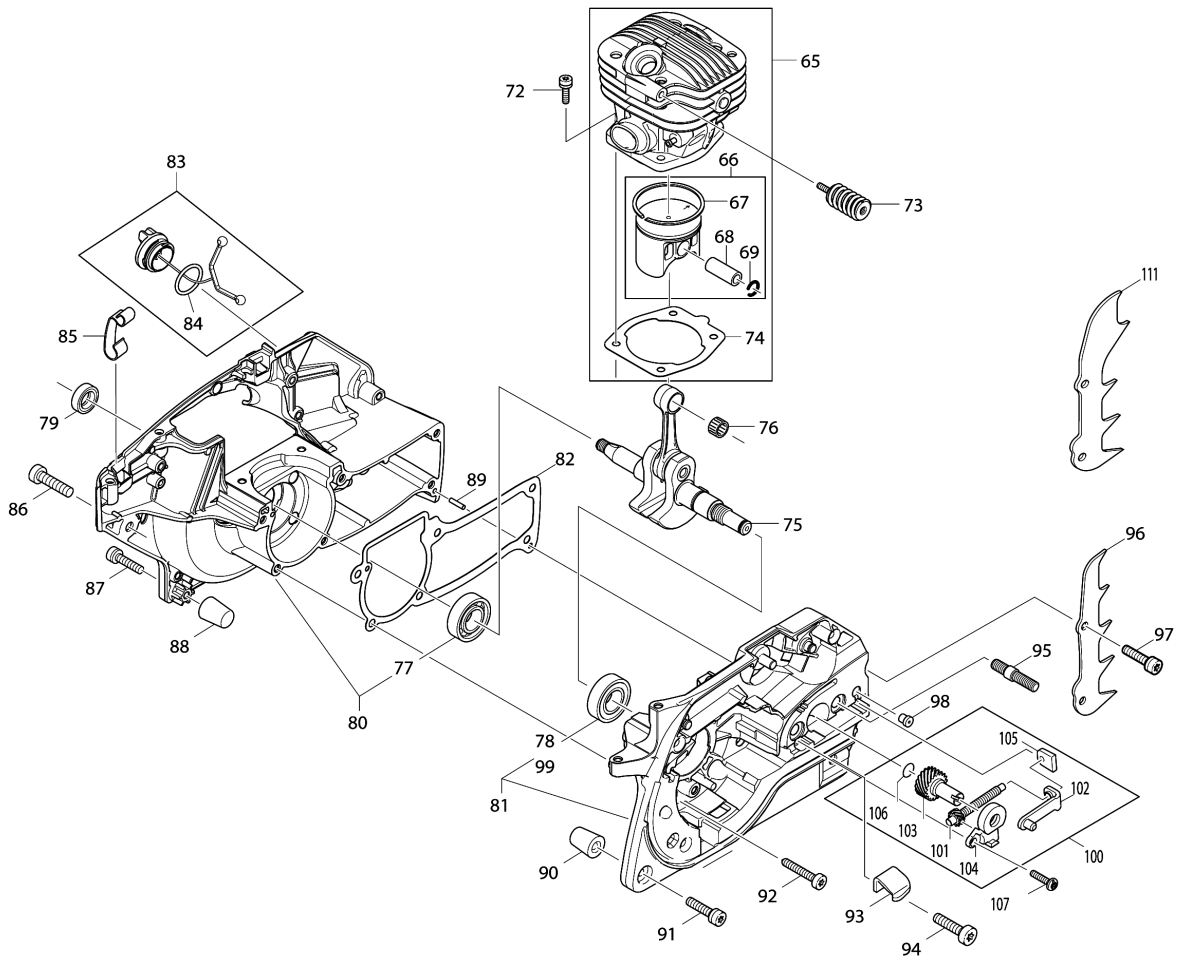
Model No.EA5000P PETROL CHAIN SAW



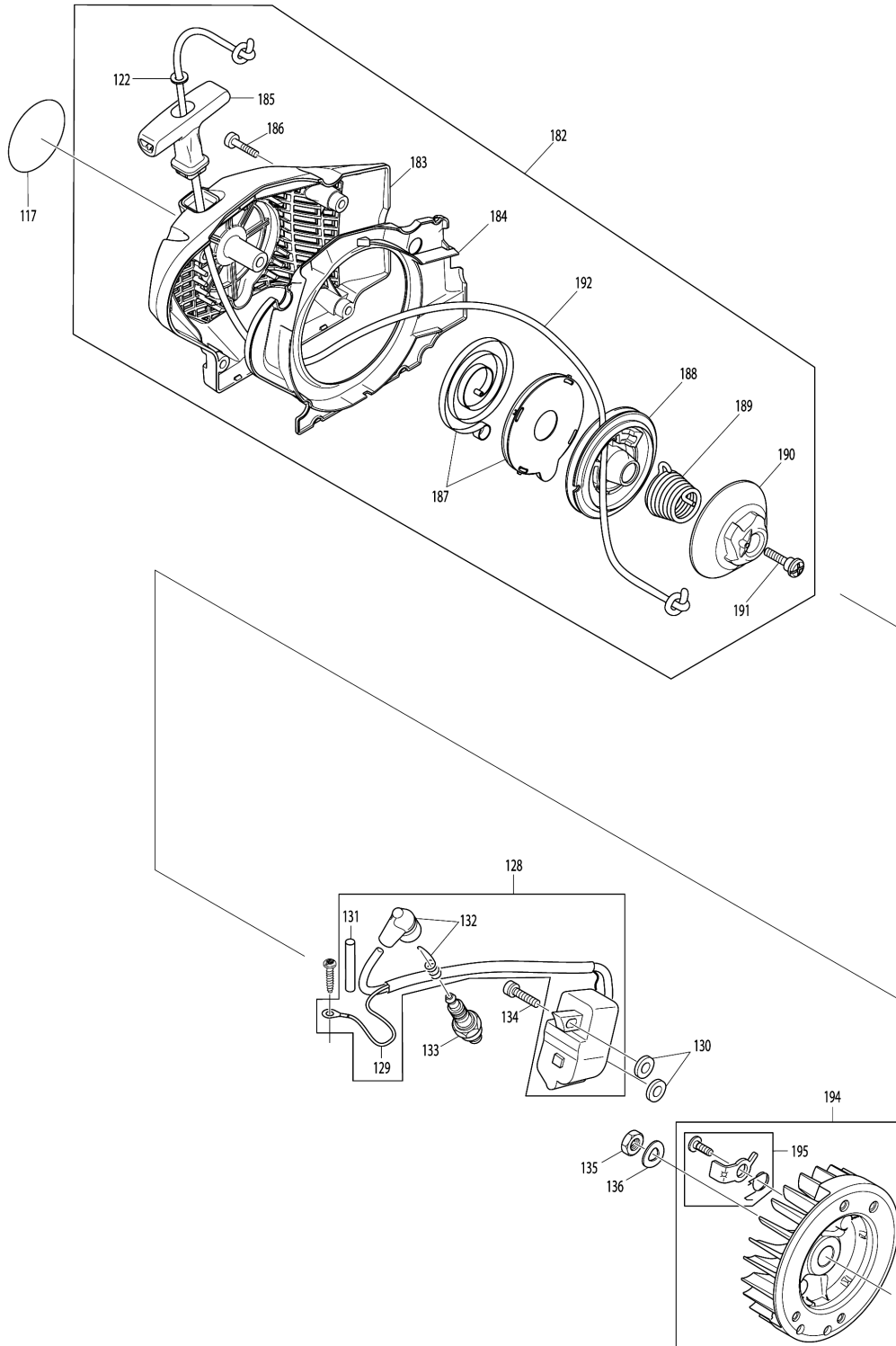
# Model No.EA5000P PETROL CHAIN SAW



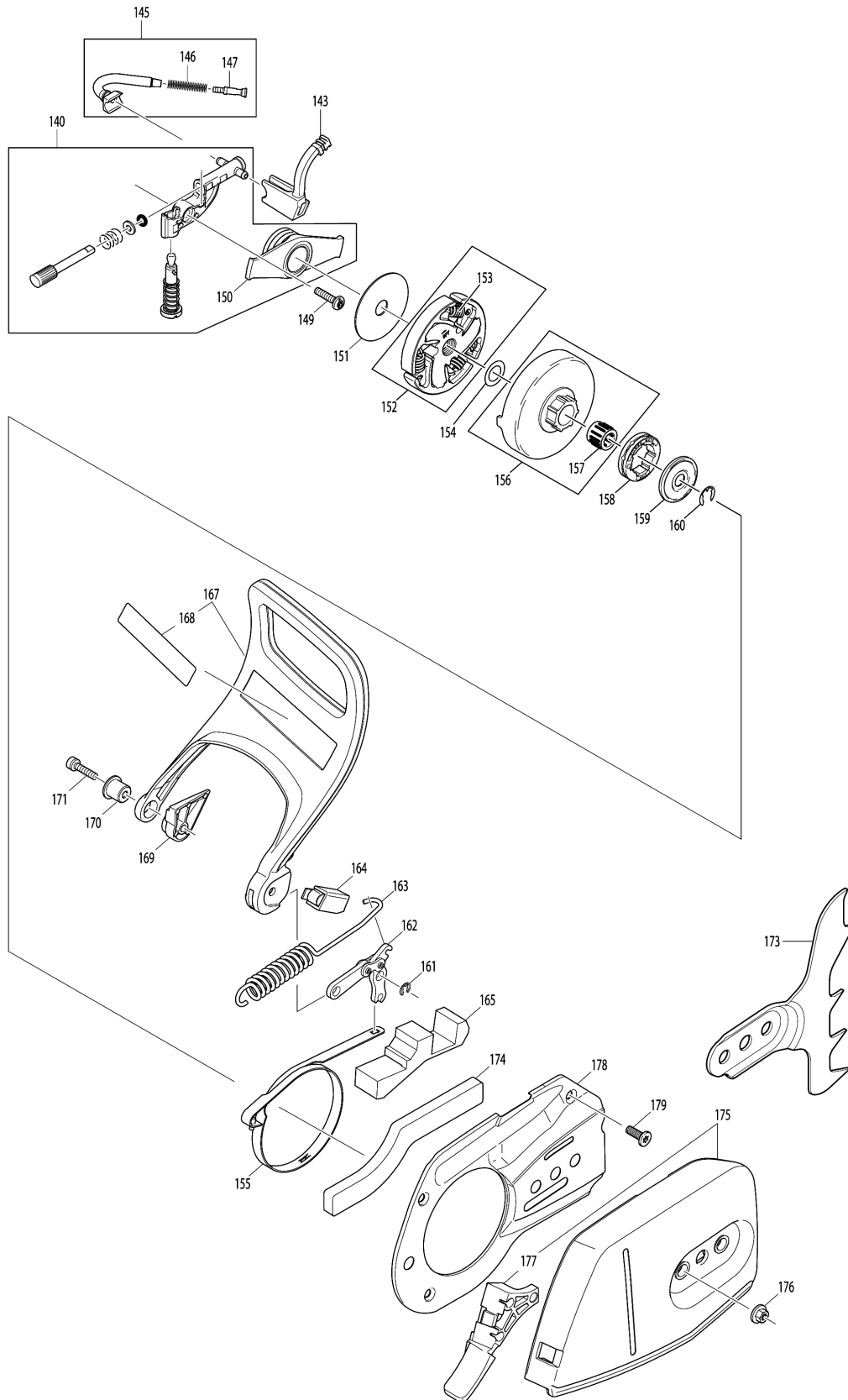
# Model No.EA5000P PETROL CHAIN SAW



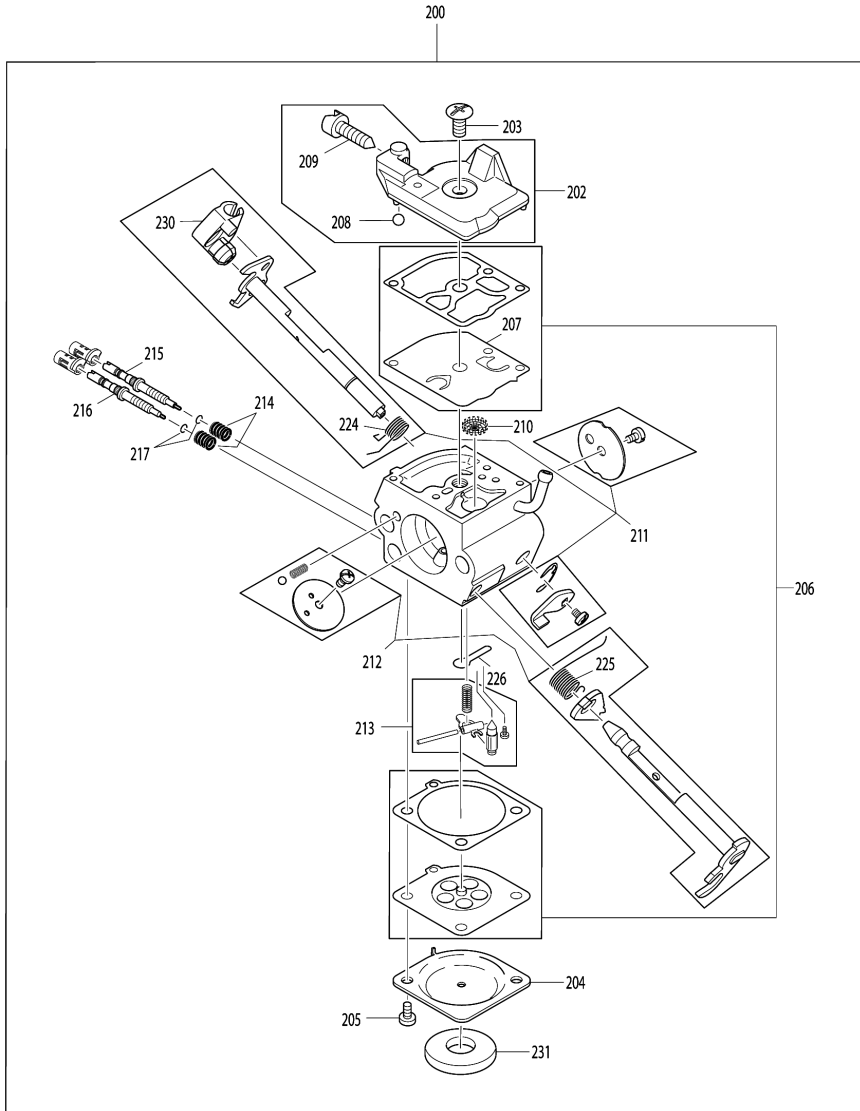
Model No.EA5000P PETROL CHAIN SAW



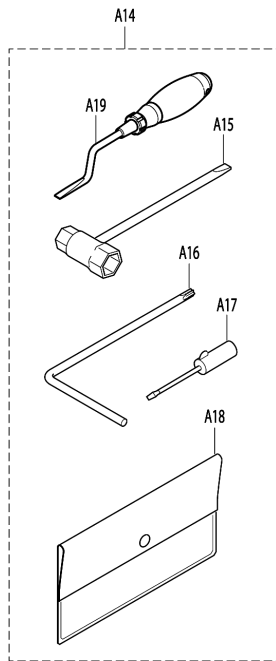
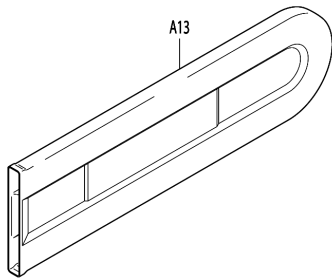
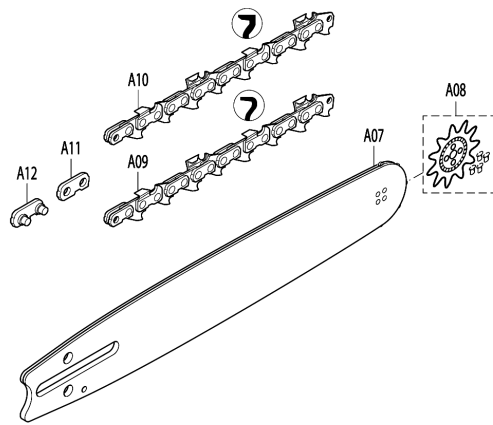
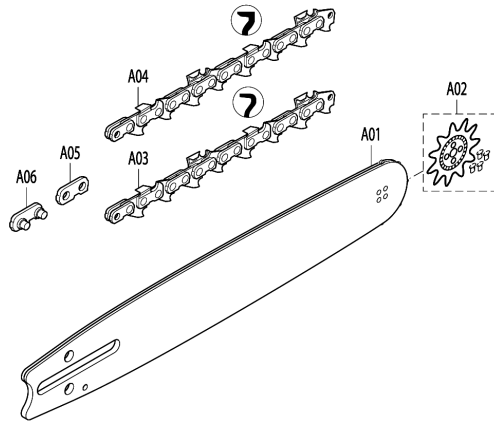
# Model No.EA5000P PETROL CHAIN SAW



Model No.EA5000P PETROL CHAIN SAW



# Model No.EA5000P PETROL CHAIN SAW



## Model No.EA5000P PETROL CHAIN SAW

| Položka | Objednávacie číslo | Popis                         | Zmena | ks | New/Old | Možnosť 1 | Možnosť 2 | Poznámka |
|---------|--------------------|-------------------------------|-------|----|---------|-----------|-----------|----------|
| 001     | 181114605          | FUEL TANK ASSY BLUE           |       | 1  |         |           |           |          |
| D10     |                    | INC.2-12                      |       |    |         |           |           |          |
| 002     | 181117050          | GRIP OUTER SHELL              |       | 1  | *       |           |           |          |
| 002-1   | 450851-5           | GRIP OUTER SHELL              | O     | 1  |         |           |           |          |
| 003     | 181117132          | CATCH LEVER                   |       | 1  |         |           |           |          |
| 004     | 181117031          | SPRING                        |       | 1  |         |           |           |          |
| 005     | 181117081          | ROCKER                        |       | 1  |         |           |           |          |
| 006     | 181117110          | SPRING                        |       | 1  |         |           |           |          |
| 007     | 010117050          | MODIFICATION SET              |       | 1  |         |           |           |          |
| D10     |                    | INC.30                        |       |    |         |           |           |          |
| 008     | 935930240          | CYLINDRICAL PIN 3X24          |       | 1  | *       |           |           |          |
| 008-1   | 268233-5           | PIN 3                         | O     | 1  |         |           |           |          |
| 009     | 181117121          | THROTTLE LEVER                |       | 1  |         |           |           |          |
| 010     | 957114061          | AIR VALVE CPL.                |       | 1  |         |           |           |          |
| 011     | 913455204          | H.L.TAPPING SCREW 5.5X20      |       | 1  | *       |           |           |          |
| 011-1   | 913455204          | H.L.TAPPING SCREW 5.5X20      | O     | 1  | *       |           |           |          |
| 011-2   | 266475-5           | H.L.TAPPING SCREW 5.5X20      | O     | 1  |         |           |           |          |
| 012     | 181114065          | FUEL LINE                     |       | 1  |         |           |           |          |
| 013     | 010114010          | SUCTION HEAD(FUEL)            |       | 1  | *       |           |           |          |
| D10     |                    | INC.14                        |       |    | *       |           |           |          |
| 013-1   | 163499-1           | SUCTION HEAD                  | O     | 1  |         |           |           |          |
| D10     |                    | INC.14                        |       |    |         |           |           |          |
| 014     | 010114020          | REP.KIT, FILTER(FELT ELEMENT) |       | 1  | *       |           |           |          |
| 015     | 181114202          | TANK CAP CPL.                 |       | 1  | *       |           |           |          |
| D10     |                    | INC.16                        |       |    | *       |           |           |          |
| 015-1   | 168507-3           | TANK CAP COMPLETE             | O     | 1  |         |           |           |          |
| D10     |                    | INC.16                        |       |    |         |           |           |          |
| 016     | 963229036          | PACKING RING                  |       | 1  | *       |           |           |          |
| 016-1   | 213080-9           | O RING 29.5                   | O     | 1  |         |           |           |          |
| 017     | 181114301          | DAMPING SPRING, CPL.          |       | 1  |         |           |           |          |
| 018     | 181114301          | DAMPING SPRING, CPL.          |       | 1  |         |           |           |          |
| 020     | 913455204          | H.L.TAPPING SCREW 5.5X20      |       | 1  | *       |           |           |          |
| 020-1   | 913455204          | H.L.TAPPING SCREW 5.5X20      | O     | 1  | *       |           |           |          |
| 020-2   | 266475-5           | H.L.TAPPING SCREW 5.5X20      | O     | 1  |         |           |           |          |
| 021     | 913455164          | H.L. TAPPING SCREW 5.5X16     |       | 2  | *       |           |           |          |
| 021-1   | 266478-9           | H.L.TAPPING SCREW 5.5X16      | O     | 2  |         |           |           |          |
| 022     | 181114652          | HANDLE COVER MAKITA BLUE      |       | 1  |         |           |           |          |
| 023     | 908006205          | H.L. SOCKET HEAD BOLT M6X20   |       | 1  | *       |           |           |          |
| 023-1   | 266479-7           | H.L. SOCKET HEAD BOLT M6X20   | O     | 1  | *       |           |           |          |
| 023-2   | 266479-7           | H.L. SOCKET HEAD BOLT M6X20   | O     | 1  |         |           |           |          |
| 024     | 913455204          | H.L.TAPPING SCREW 5.5X20      |       | 1  | *       |           |           |          |
| 024-1   | 913455204          | H.L.TAPPING SCREW 5.5X20      | O     | 1  | *       |           |           |          |
| 024-2   | 266475-5           | H.L.TAPPING SCREW 5.5X20      | O     | 1  |         |           |           |          |

Please order the parts with part number.

Print Date 8/10/2021



## Model No.EA5000P PETROL CHAIN SAW

| Položka | Objednávacie číslo | Popis                         | Zmena | ks | New/Old | Možnosť 1 | Možnosť 2 | Poznámka |
|---------|--------------------|-------------------------------|-------|----|---------|-----------|-----------|----------|
| 025     | 181310250          | TUBULAR HANDLE                |       | 1  | *       |           |           |          |
| 025-1   | 140G07-7           | TUBULAR HANDLE CPL.           | O     | 1  |         |           |           |          |
| 026     | 181118240          | AIR FILTER ELEMENT COVER      |       | 1  |         |           |           |          |
| D10     |                    | INC.27,70                     |       |    |         |           |           |          |
| 027     | 181118060          | ANTI ICING PLATE SUMMER       |       | 1  |         |           |           |          |
| 028     | 181173090          | AIR FILTER ELEMENT NYLON MESH |       | 1  |         |           |           |          |
| 029     | 181171050          | CLIP FOR AIR FILTER           |       | 1  | *       |           |           |          |
| 029-1   | 325593-9           | CLIP                          | O     | 1  |         |           |           |          |
| 030     | 010117050          | MODIFICATION SET              |       | 1  |         |           |           |          |
| D10     |                    | INC.7                         |       |    |         |           |           |          |
| 031     | 908505555          | H.L. SOCKET HEAD BOLT M5X55   |       | 2  | *       |           |           |          |
| 031-1   | 266480-2           | H.L. SOCKET HEAD BOLT M5X55   | O     | 2  |         |           |           |          |
| 034     | 913455164          | H.L. TAPPING SCREW 5.5X16     |       | 1  | *       |           |           |          |
| 034-1   | 266478-9           | H.L.TAPPING SCREW 5.5X16      | O     | 1  |         |           |           |          |
| 036     | 181131680          | CARBURETOR HOUSING ASSY BLUE  |       | 1  |         |           |           |          |
| 037     | 908805205          | H.L. SOCKET HEAD BOLT M5X20   |       | 4  | *       |           |           |          |
| 037-1   | 266472-1           | TORX SOCKET HEAD BOLT M5X20   | O     | 4  |         |           |           |          |
| 040     | 181171160          | INTAKE MANIFOLD SET           |       | 1  |         |           |           |          |
| D10     |                    | INC.41-42,44,63               |       |    |         |           |           |          |
| 041     | 181131090          | OIL RESISTANT HOSE            |       | 1  |         |           |           |          |
| 042     | 181131040          | INTAKE MANIFOLD               |       | 1  | *       |           |           |          |
| 042-1   | 181131041          | INTAKE MANIFOLD               | O     | 1  |         |           |           |          |
| 043     | 181118160          | ANTI ICING PLATE WINTER       |       | 1  |         |           |           |          |
| 044     | 181131070          | RING SPRING                   |       | 1  | *       |           |           |          |
| 044-1   | 233971-8           | RING SPRING                   | O     | 1  |         |           |           |          |
| 045     | 913455164          | H.L. TAPPING SCREW 5.5X16     |       | 1  | *       |           |           |          |
| 045-1   | 266478-9           | H.L.TAPPING SCREW 5.5X16      | O     | 1  |         |           |           |          |
| 046     | 181155060          | CONTACT SPRING                |       | 1  |         |           |           |          |
| 047     | 181155030          | ADJUSTING GUIDE               |       | 1  |         |           |           |          |
| 048     | 913455164          | H.L. TAPPING SCREW 5.5X16     |       | 1  | *       |           |           |          |
| 048-1   | 266478-9           | H.L.TAPPING SCREW 5.5X16      | O     | 1  |         |           |           |          |
| 049     | 928405000          | SPRING WASHER 5               |       | 1  | *       |           |           |          |
| 049-1   | 928405000          | SPRING WASHER 5               | O     | 1  | *       |           |           |          |
| 049-2   | 267821-5           | SPRING WASHER 5               | O     | 1  |         |           |           |          |
| 050     | 980114928          | LABEL                         |       | 1  | *       |           |           |          |
| 050-1   | 816917-5           | INDICATION LABEL              | O     | 1  |         |           |           |          |
| 051     | 957173250          | ANTI ICING SET                |       | 1  |         |           |           |          |
| D10     |                    | INC. 43,52                    |       |    |         |           |           |          |
| 052     | 181173250          | ANTI ICING PRE-FILTER         |       | 1  |         |           |           |          |
| 057     | 181174062          | HEAT INSULATION PLATE         |       | 1  |         |           |           |          |
| 058     | 181174050          | MUFFLER GASKET                |       | 1  |         |           |           |          |
| 059     | 908005205          | H.L. SOCKET HEAD BOLT M5X20   |       | 2  | *       |           |           |          |

Please order the parts with part number.

Print Date 8/10/2021

## Model No.EA5000P PETROL CHAIN SAW

| Položka | Objednávacie číslo | Popis                          | Zmena | ks | New/Old | Možnosť 1 | Možnosť 2 | Poznámka |
|---------|--------------------|--------------------------------|-------|----|---------|-----------|-----------|----------|
| 059-1   | 266476-3           | H.L. SOCKET HEAD BOLT M5X20    | O     | 2  | *       |           |           |          |
| 059-2   | 266476-3           | H.L. SOCKET HEAD BOLT M5X20    | O     | 2  |         |           |           |          |
| 060     | 181174091          | MUFFLER COVER                  |       | 1  |         |           |           |          |
| 061     | 909005105          | H.L. SOCKET HEAD BOLT M5X10    |       | 2  | *       |           |           |          |
| 061-1   | 266612-1           | H.L. SOCKET HEAD BOLT M5X10    | O     | 2  |         |           |           |          |
| 062     | 908805205          | H.L. SOCKET HEAD BOLT M5X20    |       | 1  | *       |           |           |          |
| 062-1   | 266472-1           | TORX SOCKET HEAD BOLT M5X20    | O     | 1  |         |           |           |          |
| 063     | 181131021          | INSERT                         |       | 1  | *       |           |           |          |
| 063-1   | 185131020          | INSERT                         | O     | 1  | *       |           |           |          |
| 063-2   | 346413-4           | BUSH 17                        | O     | 1  |         |           |           |          |
| 065     | 181130217          | CYLINDER 45 & PISTON SET       |       | 1  |         |           |           |          |
| D10     |                    | INC. 66,74                     |       |    |         |           |           |          |
| 066     | 181132063          | PISTON CPL.                    |       | 1  | *       |           |           |          |
| D10     |                    | INC. 67-69                     |       |    | *       |           |           |          |
| 066-1   | 181132064          | PISTON, PISTON RING & PIN SET  | O     | 1  |         |           |           |          |
| D10     |                    | INC. 67-69                     |       |    |         |           |           |          |
| 067     | 181132080          | PISTON RING 45MM               |       | 1  |         |           |           |          |
| 068     | 181132090          | PISTON PIN                     |       | 1  |         |           |           |          |
| 069     | 181132050          | CIRCLIP 10                     |       | 2  | *       |           |           |          |
| 069-1   | 181132050          | CIRCLIP 10                     | O     | 2  |         |           |           |          |
| 070     | 181118070          | RUBBER DAMPING PLUG            |       | 2  | *       |           |           |          |
| 070-1   | 424173-9           | DAMPING PLUG                   | O     | 2  |         |           |           |          |
| 072     | 908805235          | H.L. SOCKET HEAD BOLT M5X23    |       | 4  | *       |           |           |          |
| 072-1   | 266473-9           | H.L. SOCKET HEAD BOLT M5X23    | O     | 4  |         |           |           |          |
| 073     | 181114401          | DAMPING SPRING,CPL.            |       | 1  |         |           |           |          |
| 074     | 181131132          | GASKET                         |       | 1  | *       |           |           |          |
| 074-1   | 181131133          | CYLINDER GASKET                | O     | 1  | *       |           |           |          |
| 074-2   | 181131134          | CYLINDER GASKET                | O     | 1  |         |           |           |          |
| 075     | 181120102          | CRANKSHAFT CPL.                |       | 1  |         |           |           |          |
| 076     | 962210033          | NEEDLE CAGE                    |       | 1  | *       |           |           |          |
| 076-1   | 962210103          | NEEDLE CAGE                    | O     | 1  |         |           |           |          |
| 077     | 960102159          | BALL BAERING 6202              |       | 1  | *       |           |           |          |
| 077-1   | 211154-0           | BALL BEARING 6202              | X     | 1  |         |           |           |          |
| 078     | 960123159          | BALL BEARING 6202              |       | 1  | *       |           |           |          |
| 078-1   | 211250-4           | BALL BEARING 1514              | O     | 1  |         |           |           |          |
| 079     | 962900156          | OIL SEAL                       |       | 1  | *       |           |           |          |
| 079-1   | 213141-5           | OIL SEAL 12                    | O     | 1  |         |           |           |          |
| 080     | 181111655          | CRANKCASE ASSY LEFT BLUE       |       | 1  | *       |           |           |          |
| D10     |                    | INC. 77                        |       |    | *       |           |           |          |
| 080-1   | 191P61-8           | CRANKCASE MS BLUE COMPLETE SET | S     | 1  |         |           |           |          |

Please order the parts with part number.

Print Date 8/10/2021

## Model No.EA5000P PETROL CHAIN SAW

| Položka | Objednávacie číslo | Popis                          | Zmena | ks | New/Old | Možnosť 1 | Možnosť 2 | Poznámka |
|---------|--------------------|--------------------------------|-------|----|---------|-----------|-----------|----------|
| C10     | 191P62-6           | SCREW MS SET                   |       | 1  |         |           |           |          |
| C20     | 451462-9           | ISOLATING WASHER               |       | 2  |         |           |           |          |
| D10     |                    | INC. 77,89                     |       |    |         |           |           |          |
| 081     | 181111642          | CRANKCASE ASSY RIGHT BLUE      |       | 1  | *       |           |           |          |
| D10     |                    | INC. 78,99                     |       |    | *       |           |           |          |
| 081-1   | 191P58-7           | CRANKCASE CS BLUE COMPLETE SET | S     | 1  |         |           |           |          |
| C10     | 191P63-4           | SCREW CS SET                   |       | 1  |         |           |           |          |
| D10     |                    | INC. 78,98,99                  |       |    |         |           |           |          |
| 082     | 181111060          | GASKET                         |       | 1  | *       |           |           |          |
| 082-1   | 181111061          | CRANKCASE GASKET               | <     | 1  |         |           |           |          |
| 083     | 170114100          | TANK CAP COMPLETE              |       | 1  | *       |           |           |          |
| D10     |                    | INC. 84                        |       |    | *       |           |           |          |
| 083-1   | 168508-1           | TANK CAP COMPLETE              | O     | 1  |         |           |           |          |
| D10     |                    | INC. 84                        |       |    |         |           |           |          |
| 084     | 963225030          | O RING                         |       | 1  | *       |           |           |          |
| 084-1   | 213355-6           | O-RING 25                      | O     | 1  |         |           |           |          |
| 085     | 181118050          | STEELCLIP                      |       | 3  |         |           |           |          |
| 086     | 908006205          | H.L. SOCKET HEAD BOLT M6X20    |       | 1  | *       |           |           |          |
| 086-1   | 266479-7           | H.L. SOCKET HEAD BOLT M6X20    | O     | 1  | *       |           |           |          |
| 086-2   | 266479-7           | H.L. SOCKET HEAD BOLT M6X20    | O     | 1  |         |           |           |          |
| 087     | 908805205          | H.L. SOCKET HEAD BOLT M5X20    |       | 1  | *       |           |           |          |
| 087-1   | 266472-1           | TORX SOCKET HEAD BOLT M5X20    | O     | 1  |         |           |           |          |
| 088     | 181111230          | RUBBER BUFFER                  |       | 1  |         |           |           |          |
| 089     | 936430160          | PIN 3X16                       |       | 2  | *       |           |           |          |
| 089-1   | 258038-1           | CLAMPING PIN                   | O     | 2  | *       |           |           |          |
| 089-2   | 258038-1           | CLAMPING PIN                   | O     | 2  |         |           |           |          |
| 090     | 181111230          | RUBBER BUFFER                  |       | 1  |         |           |           |          |
| 091     | 908805205          | H.L. SOCKET HEAD BOLT M5X20    |       | 1  | *       |           |           |          |
| 091-1   | 266472-1           | TORX SOCKET HEAD BOLT M5X20    | O     | 1  |         |           |           |          |
| 092     | 908005205          | H.L. SOCKET HEAD BOLT M5X20    |       | 6  | *       |           |           |          |
| 092-1   | 266476-3           | H.L. SOCKET HEAD BOLT M5X20    | O     | 6  | *       |           |           |          |
| 092-2   | 266476-3           | H.L. SOCKET HEAD BOLT M5X20    | O     | 6  |         |           |           |          |
| 093     | 181111050          | CHAIN CATCH                    |       | 1  | *       |           |           |          |
| 093-1   | 181111051          | CHAIN CATCH                    | O     | 1  |         |           |           |          |
| 094     | 908006205          | H.L. SOCKET HEAD BOLT M6X20    |       | 1  | *       |           |           |          |
| 094-1   | 266479-7           | H.L. SOCKET HEAD BOLT M6X20    | O     | 1  | *       |           |           |          |
| 094-2   | 266479-7           | H.L. SOCKET HEAD BOLT M6X20    | O     | 1  |         |           |           |          |
| 095     | 905808210          | GUIDE BAR BOLT M8X21           |       | 2  |         |           |           |          |
| 096     | 181250011          | SPIKE BAR                      |       | 1  |         |           |           |          |

Please order the parts with part number.

Print Date 8/10/2021

## Model No.EA5000P PETROL CHAIN SAW

| Položka | Objednávacie číslo | Popis                          | Zmena | ks | New/Old | Možnosť 1 | Možnosť 2 | Poznámka |
|---------|--------------------|--------------------------------|-------|----|---------|-----------|-----------|----------|
| 097     | 908805205          | H.L. SOCKET HEAD BOLT<br>M5X20 |       | 2  | *       |           |           |          |
| 097-1   | 266472-1           | TORX SOCKET HEAD BOLT<br>M5X20 | O     | 2  |         |           |           |          |
| 098     | 010245030          | VENT VALVE                     |       | 1  | *       |           |           |          |
| 098-1   | 168504-9           | VENT VALVE                     | O     | 1  | *       |           |           |          |
| 098-2   | 168504-9           | VENT VALVE                     | O     | 1  |         |           |           |          |
| 099     | 962900065          | OIL SEAL                       |       | 1  | *       |           |           |          |
| 100     | 181213300          | CHAIN TENSIONER CPL.           |       | 1  |         |           |           |          |
| D10     |                    | INC. 101-106                   |       |    |         |           |           |          |
| 101     | 181213230          | TENSIONING SCREW               |       | 1  | *       |           |           |          |
| 101-1   | 227743-1           | HELICAL GEAR 11                | O     | 1  |         |           |           |          |
| 102     | 181213240          | TENSION SLIDE                  |       | 1  |         |           |           |          |
| 103     | 181213250          | ADJUSTING SCREW                |       | 1  | *       |           |           |          |
| 103-1   | 227744-9           | HELICAL GEAR 18                | O     | 1  |         |           |           |          |
| 104     | 181213270          | TRANSMISSION COVER             |       | 1  | *       |           |           |          |
| 104-1   | 185213270          | TRANSMISSION COVER             | O     | 1  | *       |           |           |          |
| 104-2   | 452667-4           | GEAR COVER PROFESSIONAL        | O     | 1  |         |           |           |          |
| 105     | 181213260          | TENSIONING SCREW BEARING       |       | 1  |         |           |           |          |
| 106     | 963207020          | O RING                         |       | 1  |         |           |           |          |
| 107     | 908705125          | H.L. SOCKET HEAD BOLT<br>M5X12 |       | 1  | *       |           |           |          |
| 107-1   | 266484-4           | H.L. SOCKET HEAD BOLT<br>M5X12 | O     | 1  |         |           |           |          |
| 108     | 181174301          | MUFFLER SET                    |       | 1  |         |           |           |          |
| D10     |                    | INC. 109-110                   |       |    |         |           |           |          |
| 109     | 181174470          | SPARK ARRESTER SCREEN          |       | 1  |         |           |           |          |
| 110     | 908005095          | H.L. SOCKET HEAD BOLT<br>M5X9  |       | 2  | *       |           |           |          |
| 110-1   | 266474-7           | H.L. SOCKET HEAD BOLT<br>M5X9  | O     | 2  |         |           |           |          |
| 111     | 181250020          | SPIKE BAR(WIDE LEFT)           |       | 1  |         |           |           |          |
| 112     | 181131140          | RUBBER BUSH                    |       | 1  |         |           |           |          |
| 117     | 980115758          | LABEL                          |       | 1  |         |           |           |          |
| 122     | 928405000          | SPRING WASHER 5                |       | 1  | *       |           |           |          |
| 122-1   | 928405000          | SPRING WASHER 5                | O     | 1  | *       |           |           |          |
| 122-2   | 267821-5           | SPRING WASHER 5                | O     | 1  |         |           |           |          |
| 128     | 181143211          | IGNITI.COIL,CPL.BLACK          |       | 1  | *       |           |           |          |
| D10     |                    | INC. 129,131-132               |       |    | *       |           |           |          |
| 128-1   | 181143212          | IGNITION COIL COMPLETE         | O     | 1  | *       |           |           |          |
| D10     |                    | INC. 129,131-132               |       |    | *       |           |           |          |
| 128-2   | 181143213          | IGNITION COIL COMPLETE         | O     | 1  |         |           |           |          |
| D10     |                    | INC. 129,131-132               |       |    |         |           |           |          |
| 129     | 181147050          | IGNITION CABLE                 |       | 1  |         |           |           |          |
| 130     | 195143030          | ISOLATING WASHER               |       | 2  | *       |           |           |          |
| 130-1   | 195143031          | ISOLATION WASHER               | O     | 2  | *       |           |           |          |
| 130-2   | 451462-9           | ISOLATING WASHER               | O     | 2  |         |           |           |          |
| 131     | 970502110          | INSULATING TUBE 6 L=1M         |       | 1  | *       |           |           |          |

Please order the parts with part number.

Print Date 8/10/2021

## Model No.EA5000P PETROL CHAIN SAW

| Položka | Objednávacie číslo | Popis                       | Zmena | ks | New/Old | Možnosť 1 | Možnosť 2 | Poznámka |
|---------|--------------------|-----------------------------|-------|----|---------|-----------|-----------|----------|
| 131-1   | 970502120          | INSULATING TUBE             | O     | 1  |         |           |           |          |
| 132     | 957604260          | PLUG CAP COMPLETE           |       | 1  |         |           |           |          |
| 133     | 965603021          | SPARK PLUG BPMR7A           |       | 1  | *       |           |           |          |
| 133-1   | 168648-5           | SPARK PLUG (BPMR7A)         | O     | 1  |         |           |           |          |
| 134     | 908805205          | H.L. SOCKET HEAD BOLT M5X20 |       | 2  | *       |           |           |          |
| 134-1   | 266472-1           | TORX SOCKET HEAD BOLT M5X20 | O     | 2  |         |           |           |          |
| 135     | 920308024          | HEX. NUT M8X1 (FINE THREAD) |       | 1  | *       |           |           |          |
| 135-1   | 264022-6           | HEX. NUT M8X1               | O     | 1  |         |           |           |          |
| 136     | 926208001          | SPRING WASHER 8             |       | 1  | *       |           |           |          |
| 136-1   | 267822-3           | SPRING WASHER 8             | O     | 1  |         |           |           |          |
| 140     | 181245251          | OIL PUMP CPL.               |       | 1  |         |           |           |          |
| D10     |                    | INC. 150                    |       |    |         |           |           |          |
| 143     | 181245120          | OIL LINE                    |       | 1  | *       |           |           |          |
| 143-1   | 424178-9           | OIL TUBE                    | O     | 1  |         |           |           |          |
| 144     | 970311580          | EARTH CABLE                 |       | 1  |         |           |           |          |
| 145     | 181245100          | OIL LINE CPL.               |       | 1  |         |           |           |          |
| D10     |                    | INC. 146-147                |       |    |         |           |           |          |
| 146     | 021245060          | PRESSURE SPRING             |       | 1  | *       |           |           |          |
| 146-1   | 231975-4           | SPRING                      | O     | 1  |         |           |           |          |
| 147     | 001245020          | HOSE STEM                   |       | 1  |         |           |           |          |
| 148     | 181155070          | ENGINE STOP / CHOKE LEVER   |       | 1  |         |           |           |          |
| 149     | 908705125          | H.L. SOCKET HEAD BOLT M5X12 |       | 1  | *       |           |           |          |
| 149-1   | 266484-4           | H.L. SOCKET HEAD BOLT M5X12 | O     | 1  |         |           |           |          |
| 150     | 181245090          | PUMP DRIVE                  |       | 1  | *       |           |           |          |
| 150-1   | 450956-1           | PUMP DRIVE                  | O     | 1  |         |           |           |          |
| 151     | 001182042          | DISC                        |       | 1  | *       |           |           |          |
| 151-1   | 267389-1           | FLAT WASHER 12              | O     | 1  |         |           |           |          |
| 152     | 181180200          | CLUTCH ASSY.                |       | 1  | *       |           |           |          |
| D10     |                    | INC. 153                    |       |    | *       |           |           |          |
| 152-1   | 168510-4           | CLUTCH COMPLETE             | O     | 1  |         |           |           |          |
| D10     |                    | INC. 153                    |       |    |         |           |           |          |
| 153     | 181184010          | SPRING                      |       | 3  | *       |           |           |          |
| 153-1   | 231860-1           | TENSION SPRING 7            | O     | 3  |         |           |           |          |
| 154     | 181224090          | FLAT WASHER 10              |       | 1  | *       |           |           |          |
| 154-1   | 181224090          | FLAT WASHER 10              | O     | 1  |         |           |           |          |
| 155     | 181213011          | BRAKE BAND                  |       | 1  | *       |           |           |          |
| 155-1   | 346029-5           | BRAKE BAND                  | O     | 1  |         |           |           |          |
| 156     | 181223062          | CLUTCH DRUM CPL.            |       | 1  | *       |           |           |          |
| D10     |                    | INC. 157                    |       |    | *       |           |           |          |
| 156-1   | 181223200          | CLUTCH DRUM COMPLETE        | O     | 1  | *       |           |           |          |
| D10     |                    | INC. 157                    |       |    | *       |           |           |          |
| 156-2   | 144765-5           | CLUTCH DRUM COMPLETE        | O     | 1  |         |           |           |          |

Please order the parts with part number.

Print Date 8/10/2021

## Model No.EA5000P PETROL CHAIN SAW

| Položka | Objednávacie číslo | Popis                        | Zmena | ks | New/Old | Možnosť 1 | Možnosť 2 | Poznámka |
|---------|--------------------|------------------------------|-------|----|---------|-----------|-----------|----------|
| D10     |                    | INC. 157                     |       |    |         |           |           |          |
| 157     | 962300009          | NEEDLE BEARING               |       | 1  | *       |           |           |          |
| 157-1   | 212082-2           | NEEDLE BEARING 1012          | O     | 1  |         |           |           |          |
| 158     | 026224010          | RIM SPROCKET 3/8" SM7-7      |       | 1  |         |           |           |          |
| 158A_   | 181224040          | RIM SPROCKET .325" SM7-7     |       | 1  |         |           |           |          |
| 159     | 181224081          | WASHER 29                    |       | 1  | *       |           |           |          |
| 159-1   | 267820-7           | WASHER 29                    | O     | 1  |         |           |           |          |
| 160     | 927408000          | STOP RING E-8                |       | 1  | *       |           |           |          |
| 160-1   | 259045-7           | STOP RING E-8                | O     | 1  |         |           |           |          |
| 161     | 927304000          | STOP RING E-4                |       | 1  | *       |           |           |          |
| 161-1   | 257934-0           | STOP RING E-4                | O     | 1  |         |           |           |          |
| 162     | 181213100          | BRAKING MECHANISM            |       | 1  | *       |           |           |          |
| 162-1   | 163500-2           | LINK PLATE COMPLETE          | O     | 1  |         |           |           |          |
| 163     | 181213022          | TENSION SPRING               |       | 1  | *       |           |           |          |
| 163-1   | 231870-8           | TENSION SPRING 10            | O     | 1  |         |           |           |          |
| 164     | 181213170          | HANDGUARD GUIDE,CPL.         |       | 1  | *       |           |           |          |
| 164-1   | 450926-0           | STOPPER CASE                 | O     | 1  |         |           |           |          |
| 165     | 181213371          | FOAM SPONGE                  |       | 1  |         |           |           |          |
| 167     | 181213161          | HAND GUARD CPL.              |       | 1  | *       |           |           |          |
| 167-1   | 457080-1           | HAND GUARD                   | O     | 1  | *       |           |           |          |
| 167-2   | 450857-3           | HAND GUARD                   | O     | 1  | *       |           |           |          |
| 167-3   | 450857-3           | HAND GUARD                   | O     | 1  |         |           |           |          |
| 168     | 980114237          | LABEL                        |       | 1  | *       |           |           |          |
| 168-1   | 818N32-5           | CAUTION LABEL                | <     | 1  |         |           |           |          |
| 169     | 181213310          | SPACER                       |       | 1  |         |           |           |          |
| 170     | 181213320          | BUSHING                      |       | 1  | *       |           |           |          |
| 170-1   | 325604-0           | BUSH                         | O     | 1  |         |           |           |          |
| 171     | 908805205          | H.L. SOCKET HEAD BOLT M5X20  |       | 1  | *       |           |           |          |
| 171-1   | 266472-1           | TORX SOCKET HEAD BOLT M5X20  | O     | 1  |         |           |           |          |
| 173     | 181250030          | SPIKE BAR(WIDE RIGHT)        |       | 1  |         |           |           |          |
| 174     | 181213400          | FOAM SPONGE                  |       | 1  |         |           |           |          |
| 175     | 957213600          | SPROCKET GUARD COMPLETE BLUE |       | 1  |         |           |           |          |
| D10     |                    | INC. 177                     |       |    |         |           |           |          |
| 176     | 923208004          | HEX. FLANGE NUT M8(BAR NUT)  |       | 2  | *       |           |           |          |
| 176-1   | 252145-2           | COLLARED HEX NUT M8          | O     | 2  |         |           |           |          |
| 177     | 957213220          | CHIP GUIDE                   |       | 1  |         |           |           |          |
| 178     | 181213191          | COVER                        |       | 1  |         |           |           |          |
| 179     | 908105126          | H.L.S. FLAT HEAD BOLT M5X12  |       | 3  | *       |           |           |          |
| 179-1   | 266477-1           | H.L. C.S. HEAD SCREW M5X12   | O     | 3  |         |           |           |          |
| 182     | 181160670          | STARTER ASSY. BLUE           |       | 1  | *       |           |           |          |
| D10     |                    | INC. 122,183-192             |       |    | *       |           |           |          |
| 182-1   | 123562-2           | STARTING DEVICE BLUE CPL.    | O     | 1  |         |           |           |          |
| D10     |                    | INC. 122,183-192             |       |    |         |           |           |          |

Please order the parts with part number.

Print Date 8/10/2021

## Model No.EA5000P PETROL CHAIN SAW

| Položka | Objednávacie číslo | Popis                          | Zmena | ks | New/Old | Možnosť 1 | Možnosť 2 | Poznámka |
|---------|--------------------|--------------------------------|-------|----|---------|-----------|-----------|----------|
| 183     | 181112660          | STARTER HOUSING BLUE           |       | 1  |         |           |           |          |
| 184     | 181118120          | AIR GUIDE PLATE                |       | 1  | *       |           |           |          |
| 184-1   | 456685-4           | AIR GUIDE PLATE                | O     | 1  |         |           |           |          |
| 185     | 181164010          | STARTER GRIP                   |       | 1  | *       |           |           |          |
| 185-1   | 452458-3           | STARTER GRIP                   | O     | 1  |         |           |           |          |
| 186     | 908605205          | H.L. SOCKET HEAD BOLT M5X20    |       | 4  | *       |           |           |          |
| 186-1   | 266942-0           | H.L. SOCKET HEAD BOLT M5X20    | O     | 4  |         |           |           |          |
| 187     | 181163050          | REWIND SPRING IN HOUSING       |       | 1  | *       |           |           |          |
| 187-1   | 140587-1           | REWIND SPRING COMPLETE         | O     | 1  |         |           |           |          |
| 188     | 181162020          | CABLE DRUM                     |       | 1  | *       |           |           |          |
| 188-1   | 452224-8           | CABLE DRUM                     | O     | 1  |         |           |           |          |
| 189     | 181163080          | SPRING EASY-START              |       | 1  | *       |           |           |          |
| 189-1   | 234193-3           | SPRING EASY START              | O     | 1  |         |           |           |          |
| 190     | 181163090          | STARTER WHEEL                  |       | 1  | *       |           |           |          |
| 190-1   | 452227-2           | DRIVER EASY START              | O     | 1  |         |           |           |          |
| 191     | 181163095          | STEPPED TAPPING SCREW 5X16.5   |       | 1  | *       |           |           |          |
| 191-1   | 266616-3           | SCREW                          | O     | 1  |         |           |           |          |
| 192     | 985000155          | STARTER ROPE 3.5MM L=100M      |       | 1  |         |           |           |          |
| 194     | 195141103          | FLYWHEEL CPL.                  |       | 1  | *       |           |           |          |
| D10     |                    | INC. 195                       |       |    | *       |           |           |          |
| 194-1   | 181141105          | FLYWHEEL CPL.                  | O     | 1  | *       |           |           |          |
| D10     |                    | INC. 195                       |       |    | *       |           |           |          |
| 194-2   | 143331-5           | FLYWHEEL COMPLETE              | O     | 1  |         |           |           |          |
| D10     |                    | INC. 195                       |       |    |         |           |           |          |
| 195     | 195166100          | STARTER RATCHET CPL.           |       | 1  | *       |           |           |          |
| 195-1   | 185166100          | STARTER RATCHET SET(2PCS EACH) | O     | 1  | *       |           |           |          |
| 195-2   | 185166100          | STARTER RATCHET SET(2PCS EACH) | <     | 2  |         |           |           |          |
| 200     | 181153100          | CARBURETOR                     |       | 1  | *       |           |           |          |
| D10     |                    | INC. 202-206,210-217,226,231   |       |    | *       |           |           |          |
| 200-1   | 181153101          | CARBURETOR (NON REGULATED)     | O     | 1  |         |           |           |          |
| D10     |                    | INC. 202-206,210-217,226,231   |       |    |         |           |           |          |
| 202     | 181153030          | PUMP COVER                     |       | 1  |         |           |           |          |
| D10     |                    | INC. 208-209                   |       |    |         |           |           |          |
| 203     | 038153360          | SCREW                          |       | 1  |         |           |           |          |
| 204     | 181153040          | DIAPHRAGM COVER                |       | 1  |         |           |           |          |
| 205     | 001153020          | SCREW                          |       | 2  |         |           |           |          |
| 206     | 181153020          | SET DAIPHRAGM/GASKETS          |       | 1  |         |           |           |          |
| D10     |                    | INC. 207                       |       |    |         |           |           |          |
| 207     | 181153060          | PUMP DIAPHRAGM RUBBER          |       | 1  |         |           |           |          |
| 208     | 038153210          | LOCKING BALL                   |       | 1  |         |           |           |          |
| 209     | 181153070          | IDLE STOP SCREW                |       | 1  |         |           |           |          |

Please order the parts with part number.

Print Date 8/10/2021

## Model No.EA5000P PETROL CHAIN SAW

| Položka | Objednávacie číslo | Popis                             | Zmena | ks | New/Old | Možnosť 1 | Možnosť 2 | Poznámka |
|---------|--------------------|-----------------------------------|-------|----|---------|-----------|-----------|----------|
| 210     | 036153040          | SCREEN                            |       | 1  |         |           |           |          |
| 211     | 957153090          | KIT THROTTLE SHAFT                |       | 1  |         |           |           |          |
| D10     |                    | INC. 224,230                      |       |    |         |           |           |          |
| 212     | 957153080          | KIT CHOKE SHAFT                   |       | 1  |         |           |           |          |
| D10     |                    | INC. 225                          |       |    |         |           |           |          |
| 213     | 957153070          | CONTROL PARTS                     |       | 1  |         |           |           |          |
| 214     | 028153480          | SPRING                            |       | 2  |         |           |           |          |
| 215     | 181153180          | IDLE ADJUSTMENT SCREW             |       | 1  |         |           |           |          |
| 216     | 181153190          | MAIN ADJUSTMENT SCREW             |       | 1  |         |           |           |          |
| 217     | 181153220          | WASHER                            |       | 2  |         |           |           |          |
| 224     | 181153110          | SPRING                            |       | 1  |         |           |           |          |
| 225     | 181153160          | SPRING                            |       | 1  |         |           |           |          |
| 226     | 181153210          | PLUG-WELCH                        |       | 1  |         |           |           |          |
| 230     | 038155012          | RETAINING CLIP                    |       | 1  |         |           |           |          |
| 231     | 965402995          | GASKET                            |       | 1  |         |           |           |          |
| A01     | 445045631          | GUIDE BAR STD<br>18".325".058" M  |       | 1  | *       |           |           |          |
| A01-1   | 161502-2           | GUIDE BAR 18                      | O     | 1  |         |           |           |          |
| A01A_   | 445038631          | GUIDE BAR STD<br>15".325".058" M  |       | 1  | *       |           |           |          |
| A01A1   | 162827-7           | GUIDE BAR 15                      | O     | 1  |         |           |           |          |
| A01B_   | 445033631          | GUIDE BAR STD<br>13".325".058" M  |       | 1  | *       |           |           |          |
| A01B1   | 162826-9           | GUIDE BAR 13                      | O     | 1  |         |           |           |          |
| A02     | 415325710          | NOSE SPROCKET RP.KIT<br>.325".058 |       | 1  |         |           |           |          |
| A03     | 528086672          | SAW CHAIN .325" .058" L72<br>MC M |       | 1  |         |           |           |          |
| A03A_   | 528086664          | SAW CHAIN .325" .058" L64<br>MC M |       | 1  |         |           |           |          |
| A03B_   | 528086656          | SAW CHAIN .325" .058" L56<br>MC M |       | 1  |         |           |           |          |
| A04     | 534686072          | SAW CHAIN .325" .058" L72<br>FC M |       | 1  |         |           |           |          |
| A04A_   | 534686064          | SAW CHAIN .325" .058" L64<br>FC M |       | 1  |         |           |           |          |
| A04B_   | 534686056          | SAW CHAIN .325" .058" L56<br>FC M |       | 1  |         |           |           |          |
| A05     | 558083000          | TIE STRAP .325"<br>1.5MM/.058"    |       | 1  |         |           |           |          |
| A06     | 558083010          | TIE STRAP WITH<br>RIVETS.325".058 |       | 1  |         |           |           |          |
| A07     | 443038651          | GUIDE BAR STD 15"3/8".058"<br>M   |       | 1  | *       |           |           |          |
| A07-1   | 162831-6           | GUIDE BAR 15                      | O     | 1  |         |           |           |          |
| A07A_   | 443045651          | GUIDE BAR STD 18"3/8".058"<br>M   |       | 1  | *       |           |           |          |
| A07A1   | 445045651          | GUIDE BAR STD 18"3/8".058"<br>M   | O     | 1  | *       |           |           |          |
| A07A2   | 162832-4           | GUIDE BAR 18                      | O     | 1  |         |           |           |          |
| A07B_   | 443053651          | SPROCKET NOSE BAR 21"             |       | 1  | *       |           |           |          |
| A07B1   | 445050651          | GUIDE BAR STD 20"3/8".058"<br>M   | O     | 1  | *       |           |           |          |
| A07B2   | 162833-2           | GUIDE BAR 20                      | O     | 1  |         |           |           |          |

Please order the parts with part number.

Print Date 8/10/2021



## Model No.EA5000P PETROL CHAIN SAW

| Položka | Objednávacie číslo | Popis                              | Zmena | ks | New/Old | Možnosť 1 | Možnosť 2 | Poznámka |
|---------|--------------------|------------------------------------|-------|----|---------|-----------|-----------|----------|
| A08     | 415038720          | NOSE SPROCKET RP.KIT<br>3/8" .058" |       | 1  |         |           |           |          |
| A09     | 523093672          | SAW CHAIN 3/8" .058" L72<br>SC M   |       | 1  |         |           |           |          |
| A09A_   | 523093664          | SAW CHAIN 3/8" .058" L64<br>SC M   |       | 1  |         |           |           |          |
| A09B_   | 523093656          | SAW CHAIN 3/8" .058" L56<br>SC M   |       | 1  |         |           |           |          |
| A10     | 528099672          | SAW CHAIN 3/8 .058 L72 FC<br>M     |       | 1  |         |           |           |          |
| A10A_   | 528099664          | SAW CHAIN 3/8" .058" L64<br>FC MB  |       | 1  |         |           |           |          |
| A10B_   | 528099656          | SAW CHAIN 3/8" .058" L56<br>FC MB  |       | 1  |         |           |           |          |
| A11     | 558093000          | TIE STRAP 3/8" 1.5MM/.058          |       | 1  |         |           |           |          |
| A12     | 558093010          | TIE STRAP WITH RIVETS 3/8<br>.058  |       | 1  |         |           |           |          |
| A13     | 952010130          | BAR COVER 13"/33CM<br>DOLMAR       |       | 1  | *       |           |           |          |
| A13-1   | 456447-0           | CHAIN COVER                        | O     | 1  |         |           |           |          |
| A13A_   | 952020640          | BAR COVER 14-17"35-43CM<br>MAKITA  |       | 1  |         |           |           |          |
| A13B_   | 952020650          | BAR COVER 18-20"45-50CM<br>MAKITA  |       | 1  |         |           |           |          |
| A13C_   | 952010630          | CHAIN PROTECTION                   |       | 1  |         |           |           |          |
| A14     | 957004011          | TOOL CPL.                          |       | 1  |         |           |           |          |
| D10     |                    | INC. A15-A19                       |       |    |         |           |           |          |
| A15     | 941719131          | UNIVERSAL WRENCH                   |       | 1  | *       |           |           |          |
| A15-1   | 941719133          | UNIVERSAL WRENCH 13/19             | O     | 1  | *       |           |           |          |
| A15-2   | 782033-4           | UNIVERSAL WRENCH 13/19             | O     | 1  |         |           |           |          |
| A16     | 940827000          | HEXALOBULAR ANGLED<br>DRIVER T27   |       | 1  | *       |           |           |          |
| A16-1   | 782025-3           | TORX WRENCH                        | O     | 1  |         |           |           |          |
| A17     | 944340001          | SCREW DRIVER                       |       | 1  | *       |           |           |          |
| A17-1   | 783012-5           | SCREWDRIVER                        | O     | 1  |         |           |           |          |
| A18     | 950004002          | PLASTIC BAG                        |       | 1  | *       |           |           |          |
| A18-1   | 831340-3           | TOOL BAG                           | O     | 1  |         |           |           |          |
| A19     | 944500795          | CYLINDER FIN CLEANER               |       | 1  |         |           |           |          |

Please order the parts with part number.

Print Date 8/10/2021