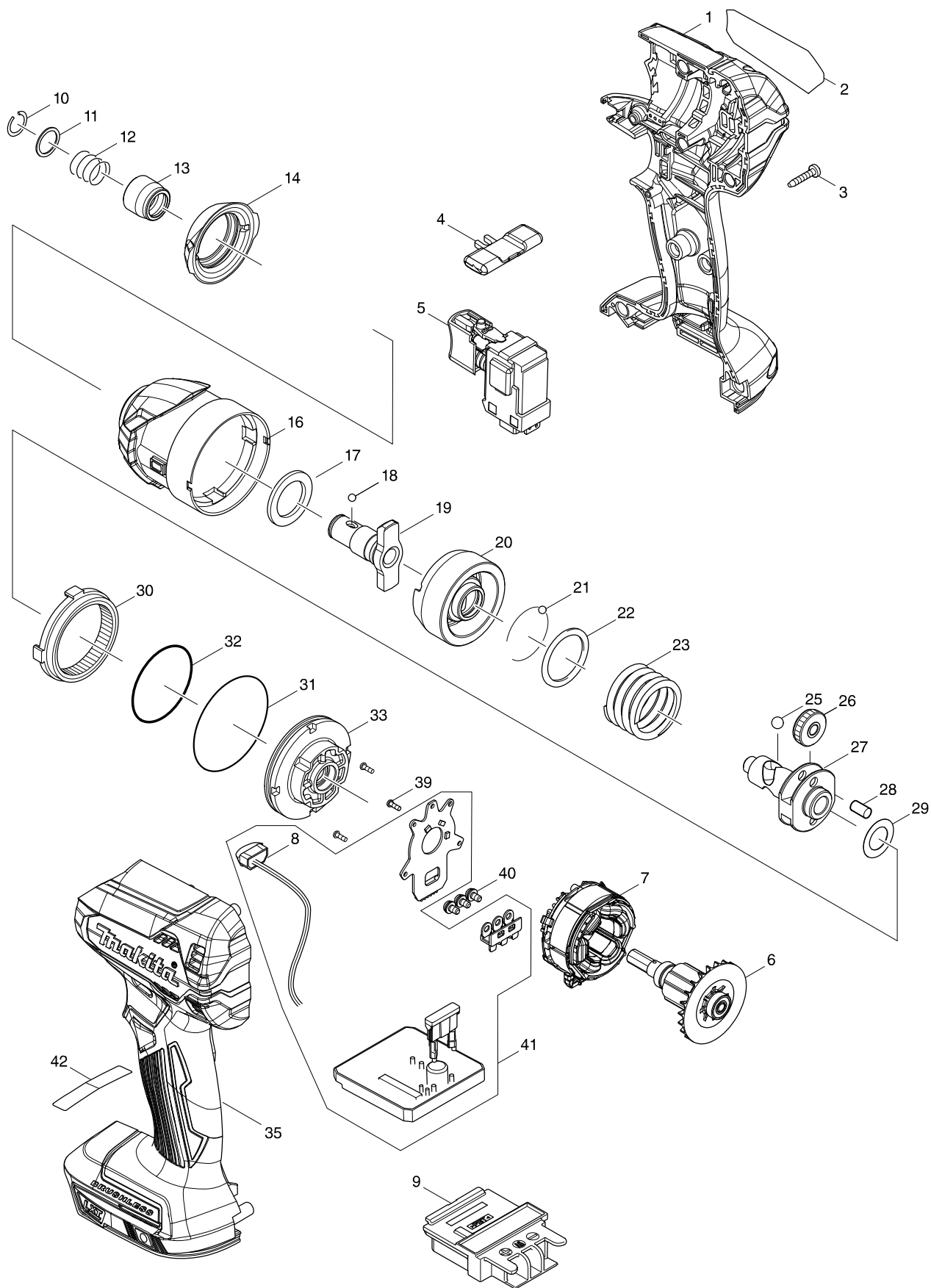


# Model DTD153 CORDLESS IMPACT DRIVER



# Model DTD153 CORDLESS IMPACT DRIVER

Strana 1 / 2

| Položka | Objednávacie | Popis                    | I/C | ks | N/O | Predaj | Nákup | Poznámka |
|---------|--------------|--------------------------|-----|----|-----|--------|-------|----------|
| 001     | 183E35-7     | HOUSING SET              |     | 1  |     |        |       |          |
| C10     | 263005-3     | RUBBER PIN 6             |     | 2  |     | 0,22   |       |          |
| C20     | 252126-6     | HEX. LOCKING NUT M4-7    |     | 2  |     |        |       |          |
| D10     |              | INC. 35                  |     |    |     |        |       |          |
| 002     | 852K79-1     | DTD153 NAME PLATE        |     | 1  |     |        |       |          |
| 003     | 266429-2     | TAPPING SCREW 3X16       |     | 9  |     | 0,22   |       |          |
| 004     | 455053-8     | F/R CHANGE LEVER         |     | 1  |     |        |       |          |
| 005     | 143975-1     | SWITCH COMPLETE          |     | 1  |     |        |       |          |
| 006     | 619404-1     | ROTOR                    |     | 1  |     |        |       |          |
| 007     | 629224-5     | STATOR                   |     | 1  |     |        |       |          |
| 008     | 620557-1     | LED CIRCUIT              |     | 1  |     |        |       |          |
| 009     | 643860-3     | TERMINAL                 |     | 1  |     | 2,66   |       |          |
| 010     | 231951-8     | RING SPRING 11           |     | 1  |     | 0,22   |       |          |
| 011     | 267085-1     | FLAT WASHER 12           |     | 1  |     | 0,42   |       |          |
| 012     | 233005-7     | COMPRESSION SPRING 13    |     | 1  |     | 0,22   |       |          |
| 013     | 326072-0     | BIT SLEEVE               |     | 1  |     | 1,59   |       |          |
| 014     | 424888-8     | BUMPER                   |     | 1  |     |        |       |          |
| 016     | 143957-3     | HAMMER CASE COMPLETE     |     | 1  |     |        |       |          |
| 017     | 261151-6     | NYLON WASHER 19          |     | 1  |     | 0,22   |       |          |
| 018     | 216040-0     | STEEL BALL 3.5           |     | 2  |     |        |       |          |
| 019     | 326565-7     | ANVIL M                  |     | 1  |     |        |       |          |
| 020     | 326564-9     | HAMMER                   |     | 1  |     | 7,07   |       |          |
| 021     | 216040-0     | STEEL BALL 3.5           |     | 24 |     |        |       |          |
| 022     | 267175-0     | FLAT WASHER 24           |     | 1  |     | 0,42   |       |          |
| 023     | 234251-5     | COMPRESSION SPRING 25    |     | 1  |     |        |       |          |
| 025     | 216041-8     | STEEL BALL 5.6           |     | 2  |     |        |       |          |
| 026     | 227362-3     | SPUR GEAR 22             |     | 2  |     | 1,52   |       |          |
| 027     | 326562-3     | SPINDLE                  |     | 1  |     | 7,59   |       |          |
| 028     | 256253-1     | PIN 5                    |     | 2  |     | 0,42   |       |          |
| 029     | 253314-8     | THIN WASHER 15           |     | 1  |     | 0,64   |       |          |
| 030     | 227378-8     | INTERNAL GEAR 51         |     | 1  |     | 0,97   |       |          |
| 031     | 213606-7     | O RING 48                |     | 1  |     | 0,64   |       |          |
| 032     | 213507-9     | O RING 40                |     | 1  |     | 0,42   |       |          |
| 033     | 143958-1     | BEARING BOX COMPLETE     |     | 1  |     |        |       |          |
| 035     | 183E35-7     | HOUSING SET              |     | 1  |     |        |       |          |
| C10     | 263005-3     | RUBBER PIN 6             |     | 2  |     | 0,22   |       |          |
| C20     | 252126-6     | HEX. LOCKING NUT M4-7    |     | 2  |     |        |       |          |
| D10     |              | INC. 1                   |     |    |     |        |       |          |
| 039     | 266490-9     | TAPPING SCREW PT 2X6     |     | 3  |     |        |       |          |
| 040     | 652069-6     | FLAT HEAD SCREW M3X6     |     | 3  |     |        |       |          |
| 041     | 620563-6     | CONTROLLER               |     | 1  |     |        |       |          |
| D10     |              | INC. 8                   |     |    |     |        |       |          |
| A01     | 266622-8     | + TRUSS HEAD SCREW M4X12 |     | 1  |     |        |       |          |
| A02     | 346317-0     | HOOK                     |     | 1  |     |        |       |          |
| A03B    | 450128-8     | BATTERY COVER            |     | 1  |     |        |       |          |
| A03C    | 450128-8     | BATTERY COVER            |     | 1  |     |        |       |          |
| A04B    | ***DC18RC    | DC18RC FAST CHARGER      |     | 1  |     |        |       |          |
| D10     |              | COMPO-PARTS              |     |    |     |        |       |          |

