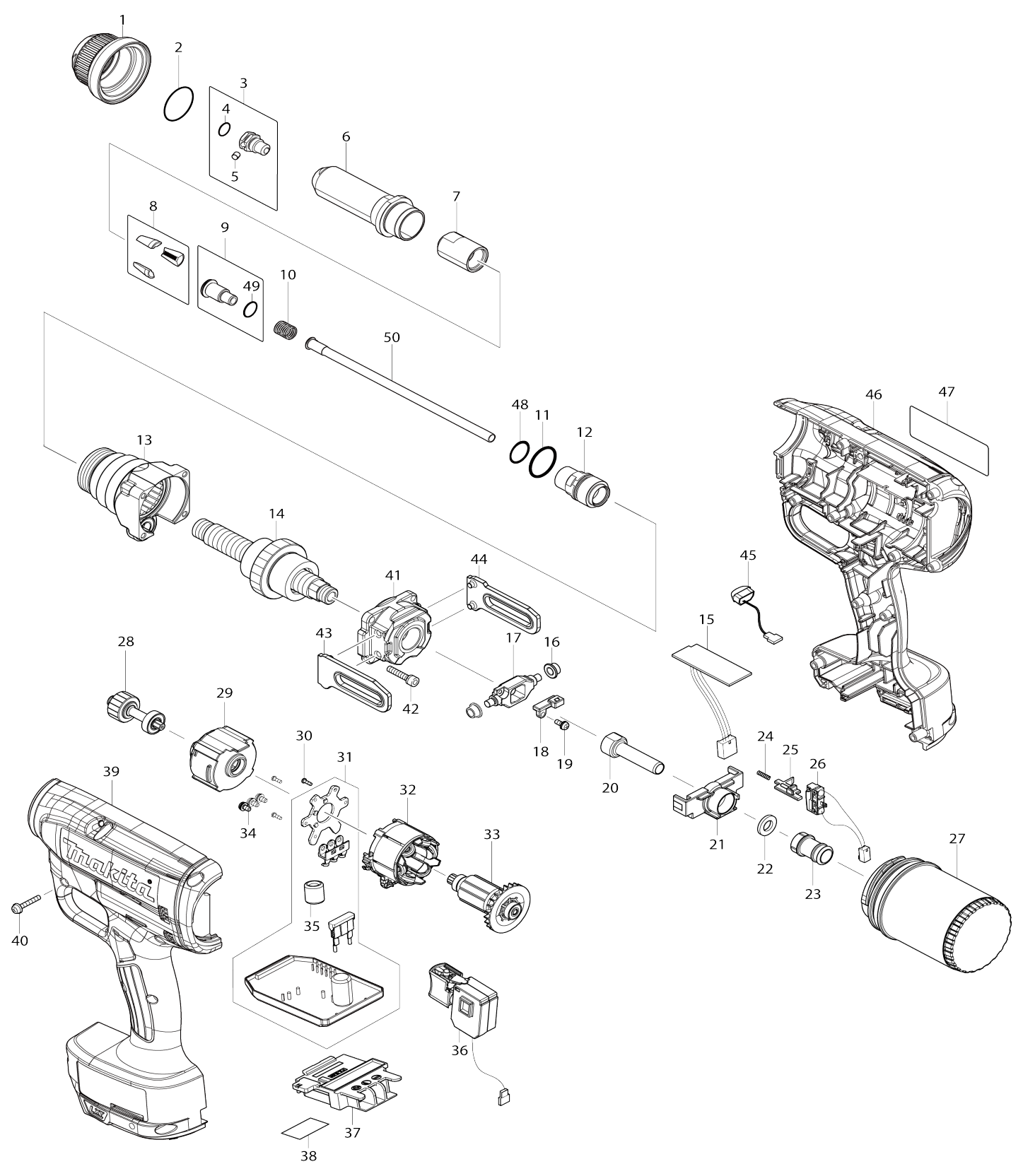


Model No.DRV250 CORDLESS RIVET GUN



Model No.DRV250 CORDLESS RIVET GUN

Item No.	Parts No.	Description	Interchangability	Q'ty	New/Old	Note1	Note2
001	319774-5	SCREW NUT 6.4		1	*		
001-1	312B52-4	SCREW NUT 6.4S	<	1			
002	213380-7	O RING 24		1			
003	127223-6	NOSEPIECE 6.4 ASSEMBLY		1	*		
003		INC. 4,5			*		
003-1	122B72-8	NOSE PIECE 6.4S ASSEMBLY	S	1			
003-1		INC. 4,5					
004	213011-8	O RING 7		1			
005	256217-5	PIN 4		1			
006-1	327279-1	HEAD 6.4		1	*		
006-2	327830-7	HEAD 6.4S	S	1			
007-1	327281-4	JAW CASE		1	*		
007-2	327831-5	JAW CASE 6.4S	S	1			
008	199730-9	JAW 6.4 SET		1			
009	127473-3	JAW PUSHER 4.5 ASSEMBLY		1			
009		INC. 49					
010	232586-8	COMPRESSION SPRING 7		1			
011	213265-7	O RING 17		1			
012	327280-6	JOINT 6.4		1			
013	140E32-6	FRONT HOUSING COMPLETE		1			
014	127050-1	BALL SCREW		1			
015	620958-3	HALL IC CIRCUIT		1			
016	257457-8	RING 5		2			
017	310907-5	ROLLER SHAFT 6.4		1			
018	140E40-7	MAGNET HOLDER COMPLETE		1	*		
018-1	140T04-1	MAGNET HOLDER COMPLETE	<	1			
019	911008-8	PAN HEAD SCREW M3X8		1			
020	327202-6	TUBE		1			
021	458772-5	TUBE GUIDE A		1			
022	261161-3	FELT RING 8		1			
023	458773-3	TUBE GUIDE B		1			
024	233025-1	COMPRESSION SPRING 2		1			
025	458774-1	SWITCH LEVER		1			
026	632M90-9	SWITCH UNIT		1			
027	162500-9	MANDREL CONTAINER COMPLETE		1			
028	140E31-8	SPUR GEAR 10 COMPLETE		1			
029	127051-9	GEAR ASSEMBLY		1			
030	266490-9	TAPPING SCREW PT 2X6		3			
031	632P81-8	CONTROLLER UNIT		1			
032	629373-8	STATOR		1			
033	619535-6	ROTOR		1	*		
033-1	619535-6	ROTOR	O	1			
034	652069-6	FLAT HEAD SCREW M3X6		3			
035	688164-6	LINE FILTER		1			
036	651379-8	SWITCH C3JW-1A-S		1			
037	643874-2	TERMINAL		1			
038	855M30-2	DRV250 SERIAL NO. LABEL		1			

039	183L30-9	HOUSING SET		1		
C10	263005-3	RUBBER PIN 6		2		
C20	252126-6	HEX. LOCK NUT M4-7		2		
C30	931002-4	HEX. NUT M3		10		
039		INC. 46				
040	265095-2	PAN HEAD SCREW M3X20		10		
041	140E33-4	REAR HOUSING COMPLETE		1		
042	265490-6	HEX. SOCKET HEAD BOLT M4X16		4		
043	310908-3	GUIDE PLATE L		1	*	
043-1	313297-5	GUIDE PLATE L	<	1		
044	310909-1	GUIDE PLATE R		1	*	
044-1	313298-3	GUIDE PLATE R	<	1		
045	620549-0	LED CIRCUIT		1		
046	183L30-9	HOUSING SET		1		
C10	263005-3	RUBBER PIN 6		2		
C20	252126-6	HEX. LOCK NUT M4-7		2		
C30	931002-4	HEX. NUT M3		10		
046		INC. 39				
047	855M22-1	DRV250 NAME PLATE		1		
048	213891-2	O RING 14.5		1		
049	213054-0	O RING 9		1		
050	162743-3	PIPE 4.6 COMPLETE		1		
A01	251314-2	+ SCREW M4X12		1		
A02	346317-0	HOOK		1		
A03	191C03-4	ACCESSORY SET B FOR 4.8		1	*	
C10	213011-8	O RING 7		1	*	
C20	256217-5	PIN 4		1	*	
C30	213054-0	O RING 9		1	*	
A03-1	1911T9-0	ACCESSORY SET BS FOR 4.8	S	1		
C10	127689-0	NOSEPIECE 4.8S ASSEMBLY		1		
C20	127475-9	JAW PUSHER 3.6 ASSEMBLY		1		
A04	199725-2	ACCESSORY SET FOR 6.0		1	*	
C10	213011-8	O RING 7		1	*	
C20	256217-5	PIN 4		1	*	
C30	213054-0	O RING 9		1	*	
A04-1	1911V0-2	ACCESSORY SET S FOR 6.0	S	1		
C10	122D79-6	NOSE PIECE 6.0S ASSEMBLY		1		
C20	127474-1	JAW PUSHER 4.0 ASSEMBLY		1		
C30	162744-1	PIPE 4.2 COMPLETE		1		
A06	191D57-7	GREASE SET		1		
A07	***DC18RC	DC18RC FAST CHARGER		1		
A07		COMPO-PARTS				
A08	197600-6	BATTERY BL1830B SET		2		
A09	450128-8	BATTERY COVER		1		
A10	821551-8	CONNECTOR PLASTIC CASE (TYP E3)		1		
C10	453974-8	LATCH		4		
A11	835A34-8	INNER TRAY		1		
A12	819C56-8	DRV250RFJ INDICATION LABEL		1		
A13	819C57-6	DRV250RFJ PLASTIC CASE LABEL		2		
A14	199731-7	JAW 4.8 SET		1	*	
A14-1	199731-7	JAW 4.8 SET	O	1		

B01	191F78-1	ACCESSORY SET FOR 6.4		1	*		
B01		INC. 3,9,50			*		
B01-1	1911U8-9	ACCESSORY SET S FOR 6.4	S	1			
B01-1		INC. 3,9,50					
F13	191D57-7	GREASE SET		1			
F15	191G66-4	PROTECTOR SET B		1			
F18	191S63-2	PROTECTOR SET B RED		1			
F19	191S64-0	PROTECTOR SET B BLUE		1			

Please state Parts No. when your order.

Print Date 02. 10. 2024