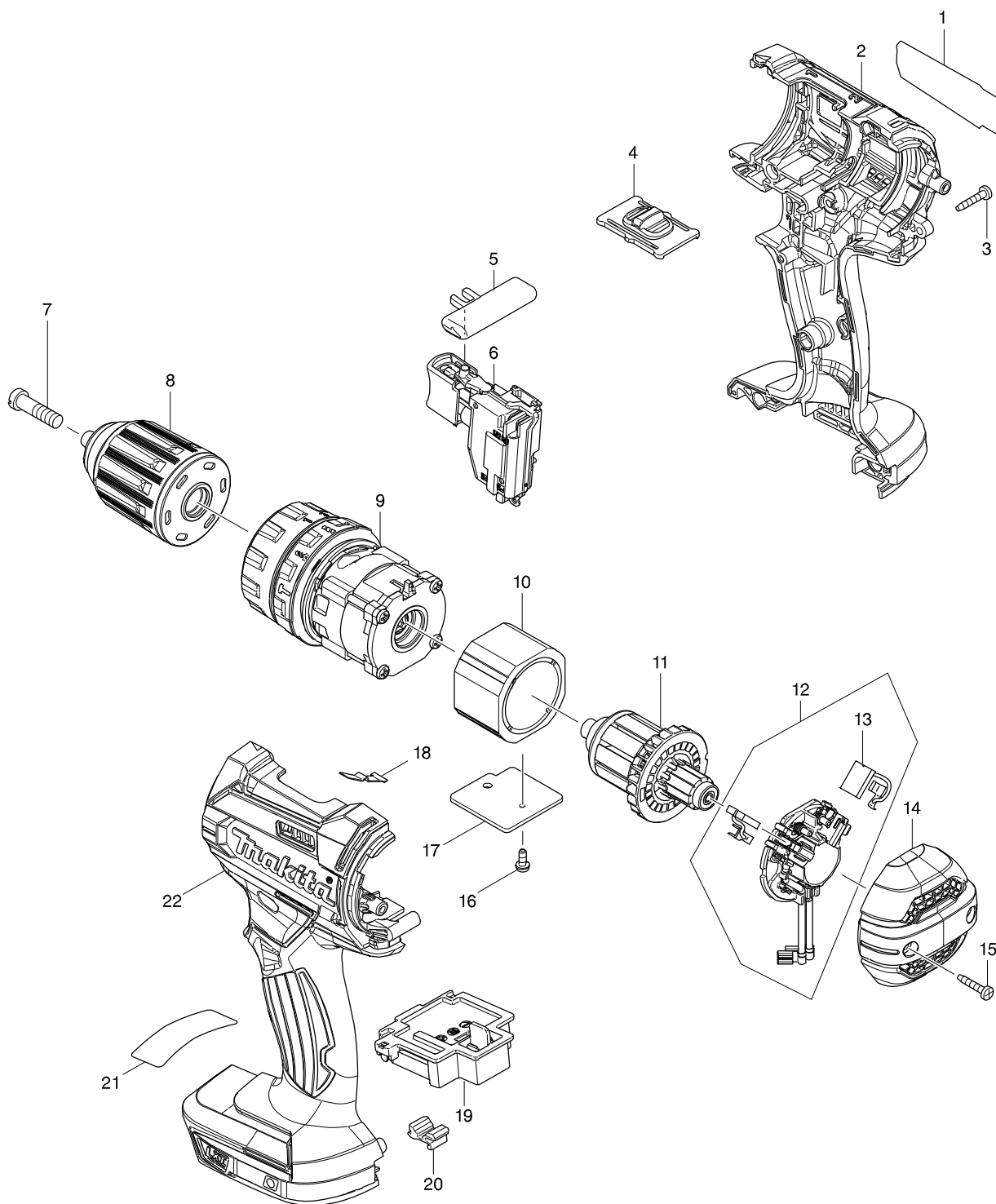


Model DHP482 CORDLESS HAMMER DRIVER DRILL



Položka	Objednávacie číslo	Popis	I/C	ks	N/O	Možnosť 1	Možnosť 2	Poznámka
001	851E32-8	DHP482 NAME PLATE		1				
002	183B65-0	HOUSING SET		1				
C10	263005-3	KOLÍK GUMA 6 2414		2				
D10		INC. 22						
003	266429-2	SKRUTKA 3X16MM		9				
004	123442-2	SPEED CHANGE LEVER ASSEMBLY		1				
C10	233438-6	PRUŽINA 4 BDF/BHP		2				
005	419041-9	PREPÍNAČ R/L		1				
006	632F27-4	SWITCH UNIT		1				
C10	620444-4	LED CIRCUIT		1				
C20	688172-7	LINE FILTER		1				
007	251468-5	SKRUTKA M6x22 6261D		1				
008	766027-7	KEYLESS DRILL CHUCK 13		1				
009	123443-0	GEAR ASSEMBLY		1				
010C	632F32-1	YOKE UNIT		1	*			
010D	632F32-1	YOKE UNIT		1	*			
010E	632F32-1	YOKE UNIT		1	*			
010-1C	632J70-7	YOKE UNIT	<	1				
010-1D	632J70-7	YOKE UNIT	<	1				
010-1E	632J70-7	YOKE UNIT	<	1				
010-1G	632J70-7	YOKE UNIT		1				
011	619380-9	ARMATURE		1				
012	632F21-6	BRUSH HOLDER COMPLETE		1				
C10	688172-7	LINE FILTER		1				
D10		INC. 13						
013	194427-5	UHLÍKY CB-440		1				
014	456099-7	REAR COVER		1				
015	266429-2	SKRUTKA 3X16MM		2				
016C	911006-2	SKRUTKA M3x8 911006-2		1	*			
016D	911006-2	SKRUTKA M3x8 911006-2		1	*			
016E	911006-2	SKRUTKA M3x8 911006-2		1	*			
016-1C	652066-2	+PAN HEAD SCREW M3X9 WITH W	<	1				
016-1D	652066-2	+PAN HEAD SCREW M3X9 WITH W	<	1				
016-1E	652066-2	+PAN HEAD SCREW M3X9 WITH W	<	1				
016-1G	652066-2	+PAN HEAD SCREW M3X9 WITH W		1				
017	689070-8	HEAT SINK		1				
018	232182-2	PERO LISTOVÉ		1				
019	644808-8	TERMINAL		1				
020	424476-1	CUSHION		1				
022	183B65-0	HOUSING SET		1				
C10	263005-3	KOLÍK GUMA 6 2414		2				
D10		INC. 2						
A01	251314-2	SKRUTKA M4x12 LS0810/1013		1				
A02C	346317-0	KLIP NA OPASOK BDF456/BHP456		1				
A02D	346317-0	KLIP NA OPASOK BDF456/BHP456		1				
A02E	346449-3	HOOK		1				
A02G	346317-0	KLIP NA OPASOK BDF456/BHP456		1				
A03	784637-8	BIT OBOJSTRANNÝ NR 2-45MM 1/4"		1				

