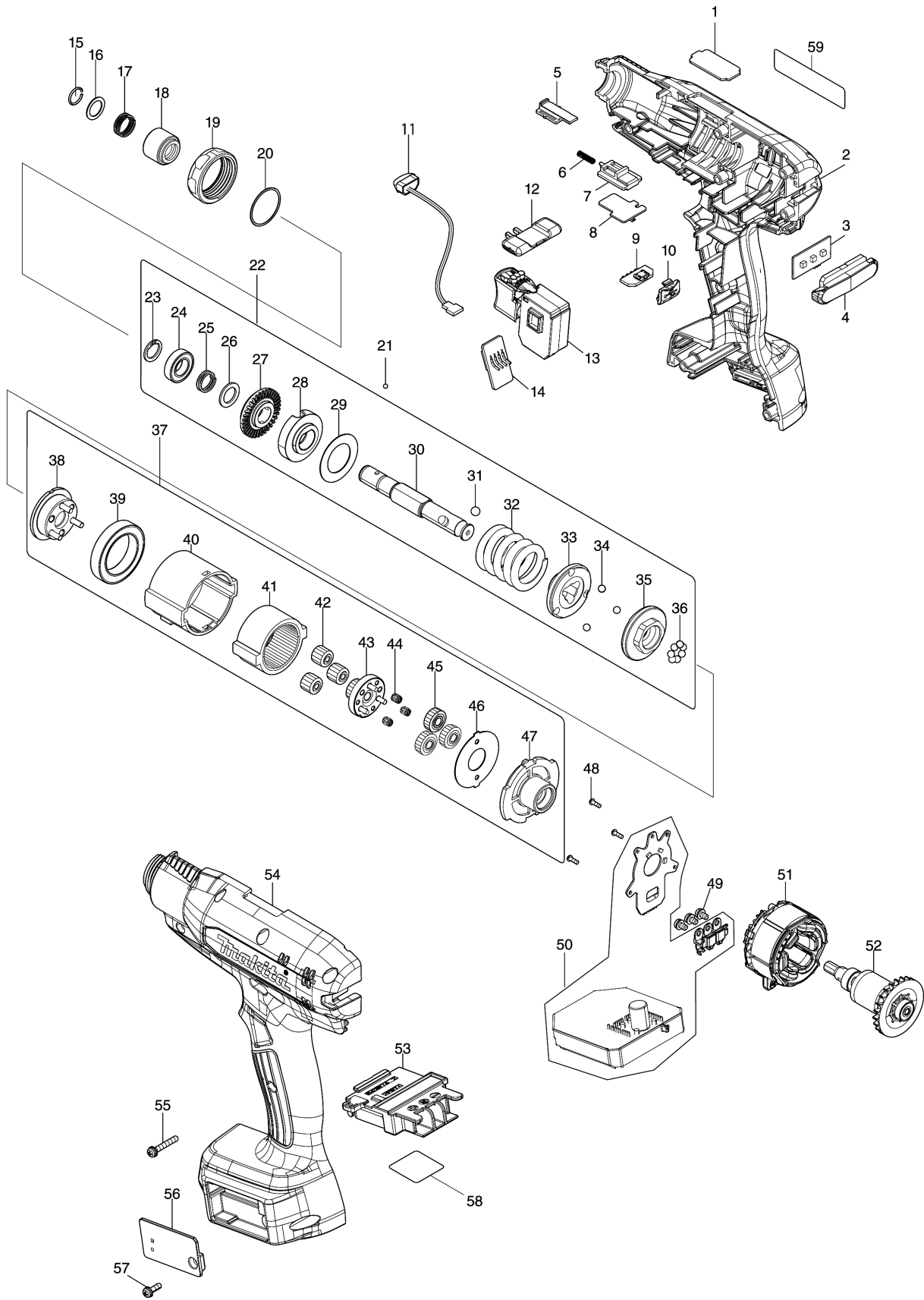


Model No.DFT129F CORDLESS SCREWDRIVER



Model No.DFT129F CORDLESS SCREWDRIVER

Položka	Objednávacie číslo	Popis	Zmena	ks	New/Old	Možnosť 1	Možnosť 2	Poznámka
001	345345-2	PLATE I		1				
002A	183W30-5	HOUSING SET		1	*			
002B	183W31-3	HOUSING SET		1	*			
C10	263005-3	RUBBER PIN 6		2	*			
C20	931002-4	HEX. NUT M3		8	*			
D10		INC. 54			*			
002-1A	1830L8-4	HOUSING SET	S	1				
002-1B	1830L9-2	HOUSING SET	S	1				
C10	263005-3	RUBBER PIN 6		2				
C20	931002-4	HEX. NUT M3		8				
D10		INC. 54						
003	620622-6	LED CIRCUIT		1				
004	457484-7	LENS		1				
005	412712-7	CHANGE PLATE		1				
006	233025-1	COMPRESSION SPRING 2		1				
007A	140U90-8	SWITCH LEVER COMPLETE		1	*			
007-1A	141N44-6	SWITCH LEVER COMPLETE	<	1	*			
007-1B	141N44-6	SWITCH LEVER COMPLETE		1	*			
007-2	141Y37-9	SWITCH LEVER COMPLETE	S	1				
008	620D61-4	SENSOR CIRCUIT		1				
009	620J83-0	USB CIRCUIT		1				
010	144709-5	USB COVER COMPLETE		1				
011	620J82-2	LED CIRCUIT		1				
012	457469-3	F/R CHANGE LEVER		1				
013	651082-1	SWITCH C3JW-1B-S		1				
014	620621-8	BUZZER CIRCUIT		1				
015	233930-2	RING SPRING 9		1				
016	267070-4	FLAT WASHER 10		1				
017	232374-3	COMPRESSION SPRING 10A		1				
018	161607-8	BIT SLEEVE		1				
019	457530-6	LOCK NUT M28 BLACK		1				
020	213836-0	O-RING 22		1				
021	216015-9	STEEL BALL 2.4		2				
022	122C84-7	CLUTCH ASSEMBLY 12MR		1				
D10		INC. 23-36						
023	961026-6	RETAINING RING S-10		1				
024	210076-1	BALL BEARING 6800LLB		1				
025A	232375-1	COMPRESSION SPRING 10B		1	*			
025-1A	232656-3	COMPRESSION SPRING 11	O	1				
025-1B	232656-3	COMPRESSION SPRING 11		1				
026	267047-9	FLAT WASHER 10		1				
027	324834-0	LOCK NUT M12		1				
028	158408-3	ADJUST RING COMPLETE		1				
029	267276-4	FLAT WASHER 18		1				
030	327A31-3	SPINDLE MR		1				

Please order the parts with part number.

Print Date 23/4/2024

Model No.DFT129F CORDLESS SCREWDRIVER

Položka	Objednávacie číslo	Popis	Zmena	ks	New/Old	Možnosť 1	Možnosť 2	Poznámka
031	216018-3	STEEL BALL 5.0		3				
032	233358-4	COMPRESSION SPRING 19C		1				
033	223146-7	CAM D		1				
034	216024-8	STEEL BALL 4		3				
035	223187-3	CAM F		1				
036	216024-8	STEEL BALL 4		7				
037	136815-0	GEAR ASSEMBLY		1	*			
D10		INC. 38-47			*			
037-1	137124-0	GEAR ASSEMBLY	<	1				
D10		INC. 38-47						
038	144382-1	CARRIER COMPLETE C		1				
039	211375-4	BALL BEARING 6805LLB		1				
040	413J94-0	GEAR CASE		1	*			
040-1	4130Y3-4	GEAR CASE	S	1				
041	227048-9	INTERNAL GEAR 47		1				
042	221539-2	SPUR GEAR 14		3				
043	144933-0	SPUR GEAR 17 COMPLETE B		1				
044	212194-1	NEEDLE CAGE 205		3				
045	221540-7	SPUR GEAR 19		3				
046	267774-8	LOCK WASHER		1				
047	418003-4	MOTOR BRACKET		1				
048	266490-9	TAPPING SCREW PT 2X6		3				
049	652069-6	FLAT HEAD SCREW M3X6		3				
050A	620J81-4	CONTROLLER		1				
050B	620N37-1	CONTROLLER		1				
051	629B33-4	STATOR		1				
052	619443-1	ROTOR		1				
053	643874-2	TERMINAL		1				
054A	183W30-5	HOUSING SET		1	*			
054B	183W31-3	HOUSING SET		1	*			
C10	263005-3	RUBBER PIN 6		2	*			
C20	931002-4	HEX. NUT M3		8	*			
D10		INC. 2			*			
054-1A	1830L8-4	HOUSING SET	S	1				
054-1B	1830L9-2	HOUSING SET	S	1				
C10	263005-3	RUBBER PIN 6		2				
C20	931002-4	HEX. NUT M3		8				
D10		INC. 2						
055	251581-9	PAN HEAD SCREW M3X20		8				
056B	412358-9	COVER		1				
057B	911013-5	PAN HEAD SCREW M3X10		1				
058	858T48-4	DFT129F SERIAL NO. LABEL		1				
059	858T43-4	DFT129F NAME PLATE		1				

Please order the parts with part number.

Print Date 23/4/2024