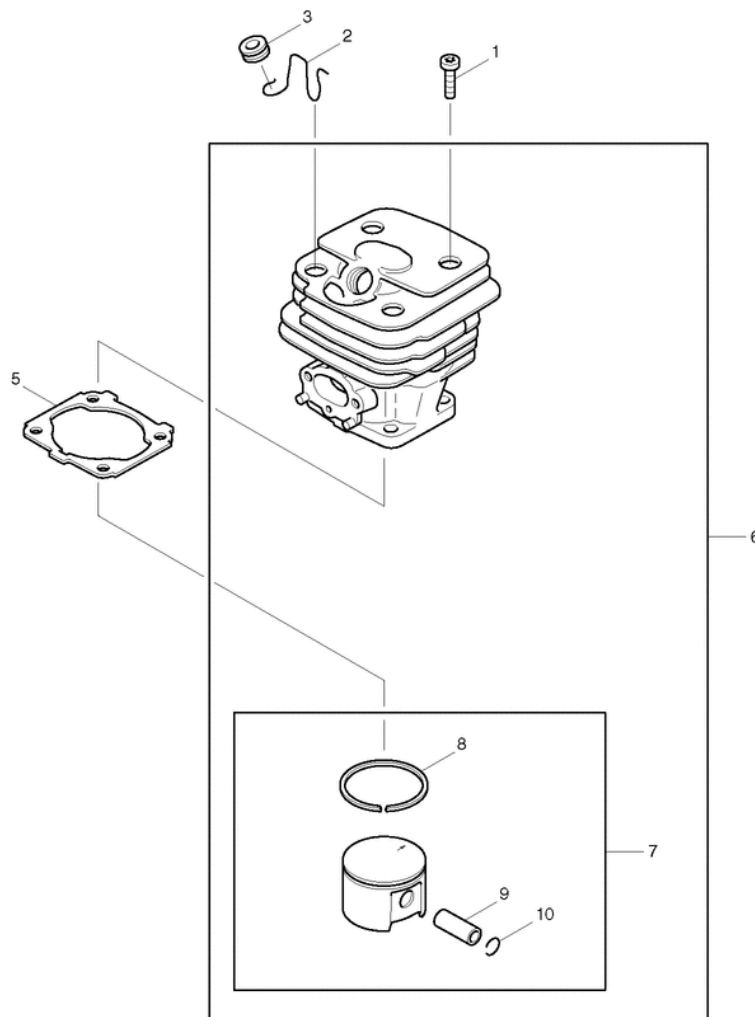


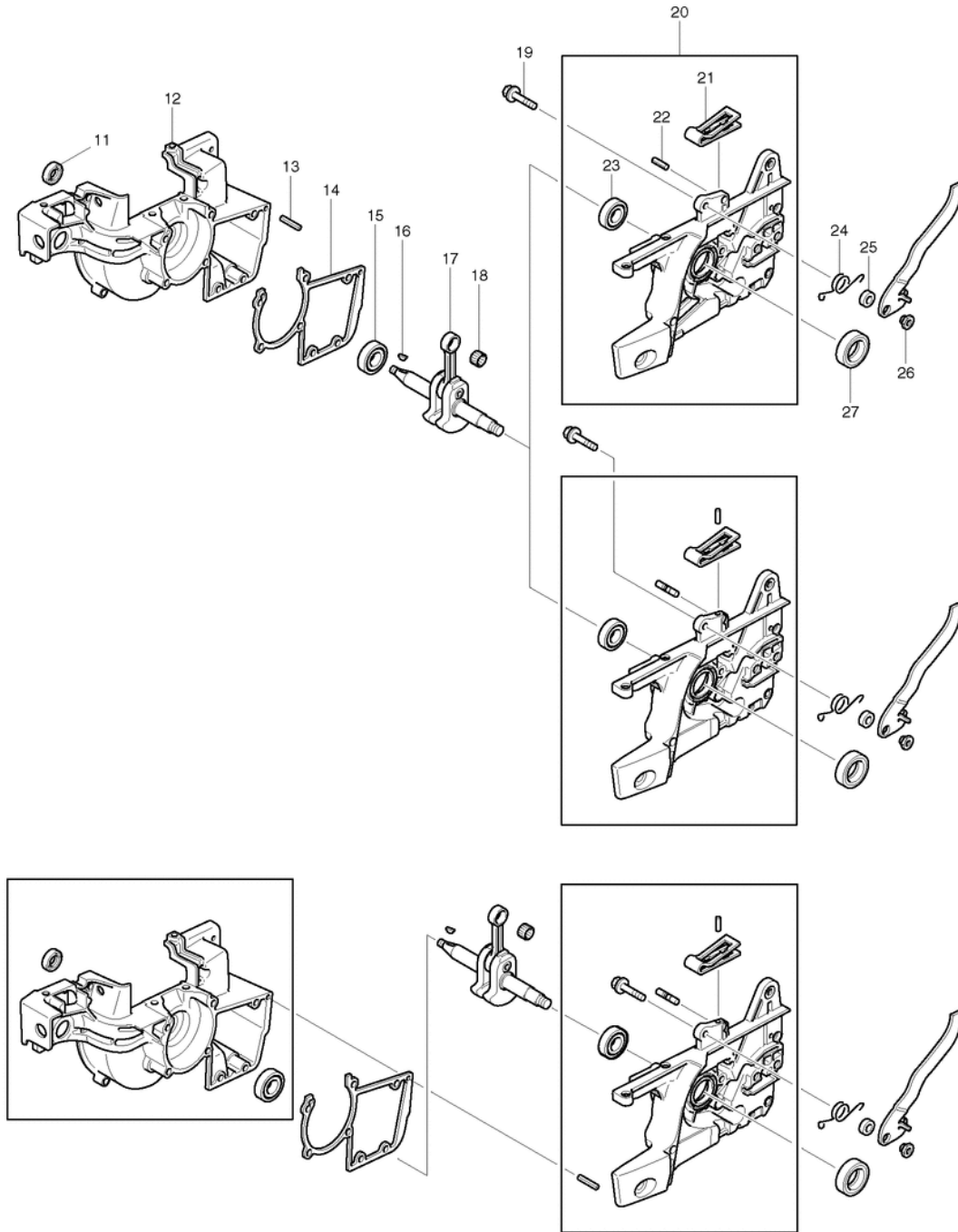


Makita Service Information / Model: DCS520





Makita Service Information / Model: DCS520





Makita Werkzeug Ges.m.b.H.

Airportstr. 4, 2401 Fischamend

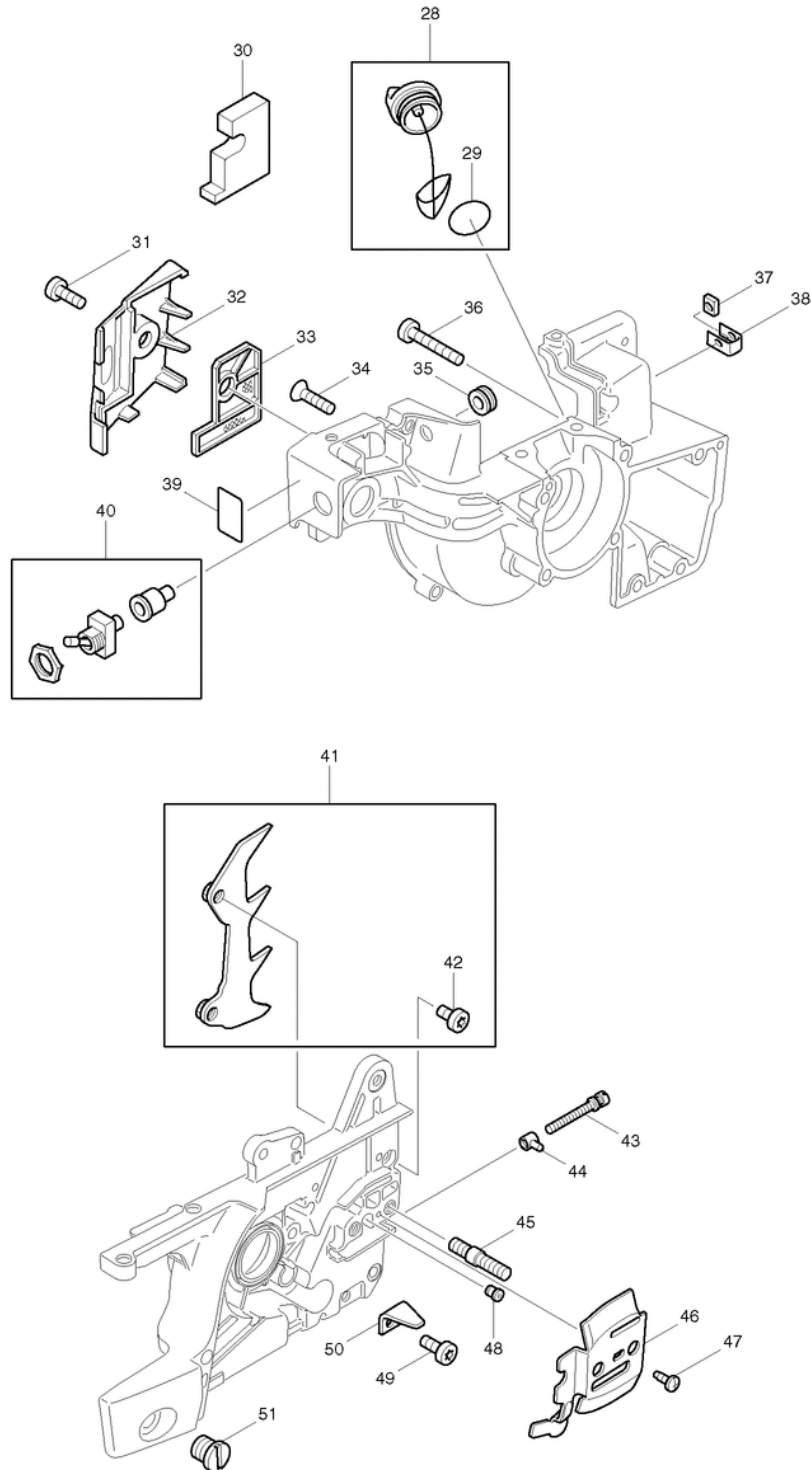
Tel: 02232 / 777 00

Fax: 02232 / 777 00 - 40

Mail: verkauf@makita.at

Web: www.makita.at

Makita Service Information / Model: DCS520





Makita Werkzeug Ges.m.b.H.

Airportstr. 4, 2401 Fischamend

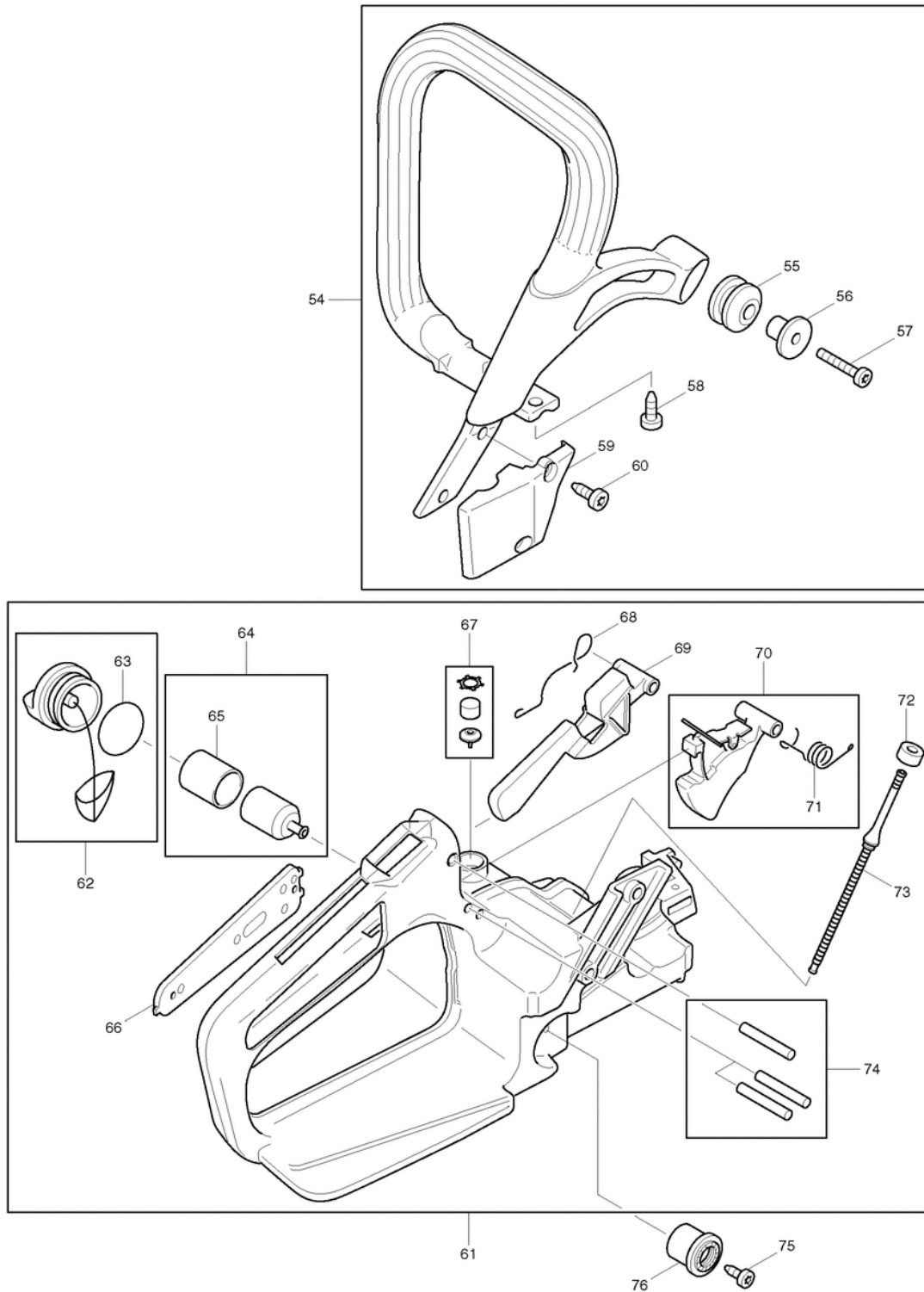
Tel: 02232 / 777 00

Fax: 02232 / 777 00 - 40

Mail: verkauf@makita.at

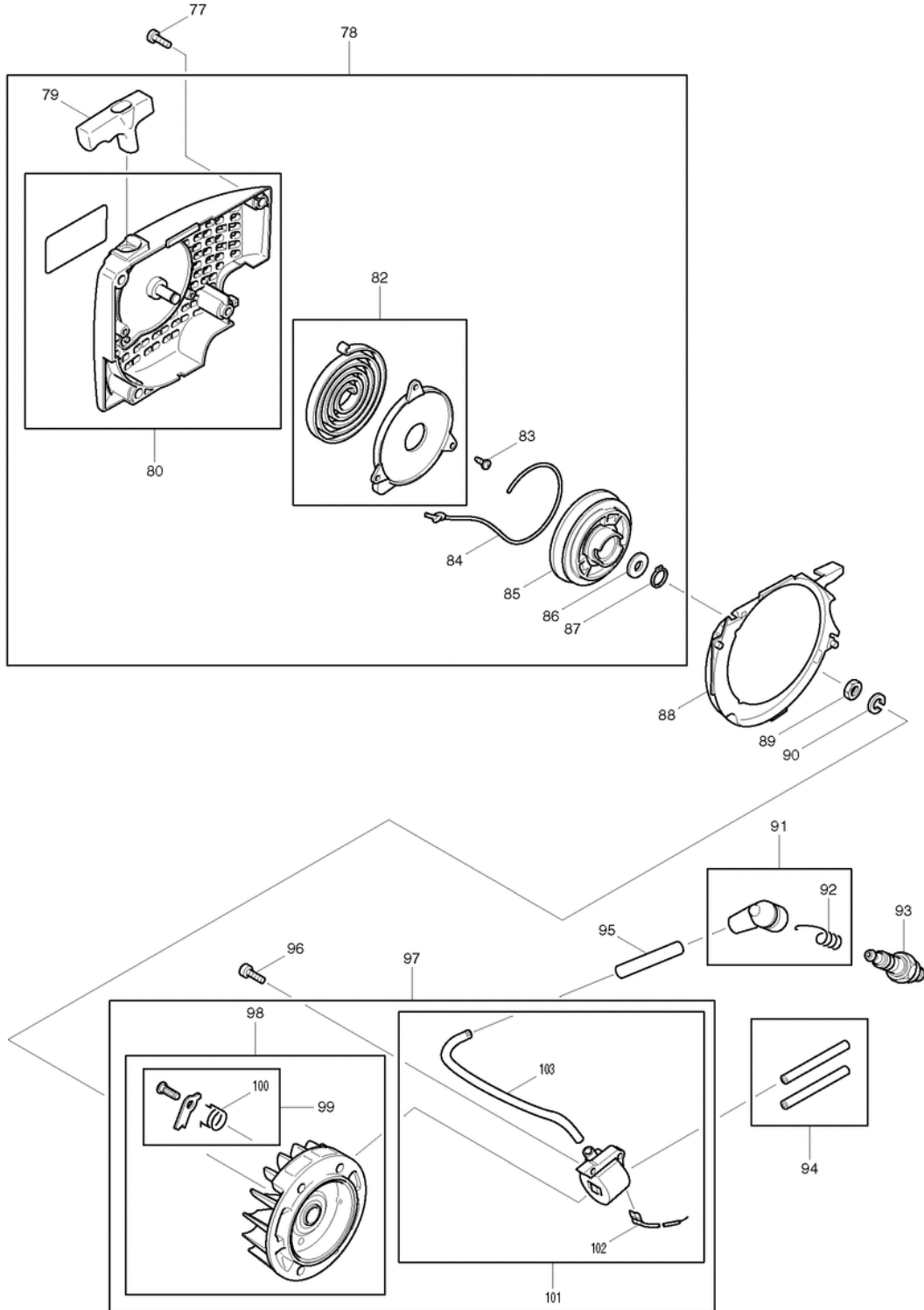
Web: www.makita.at

Makita Service Information / Model: DCS520



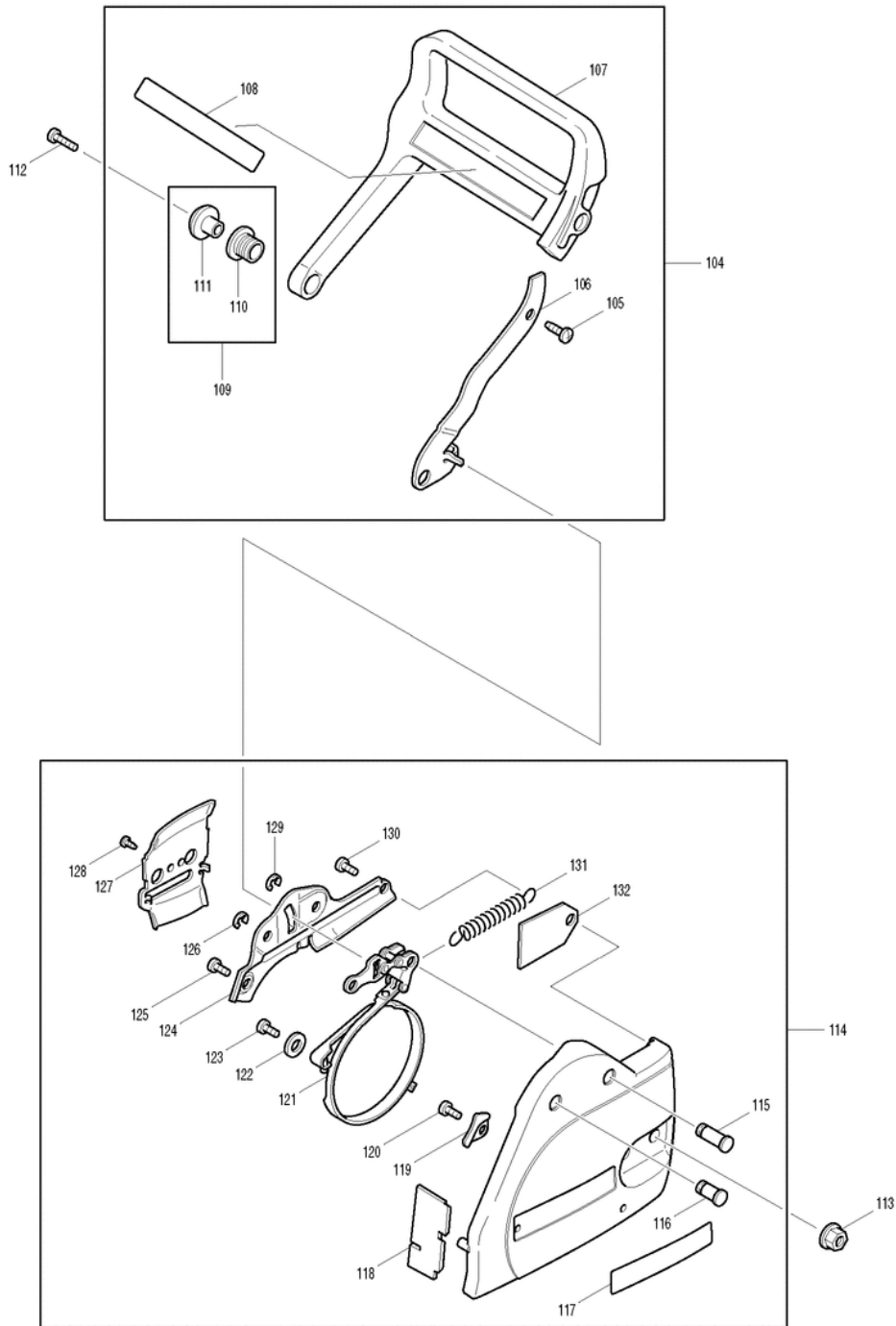


Makita Service Information / Model: DCS520



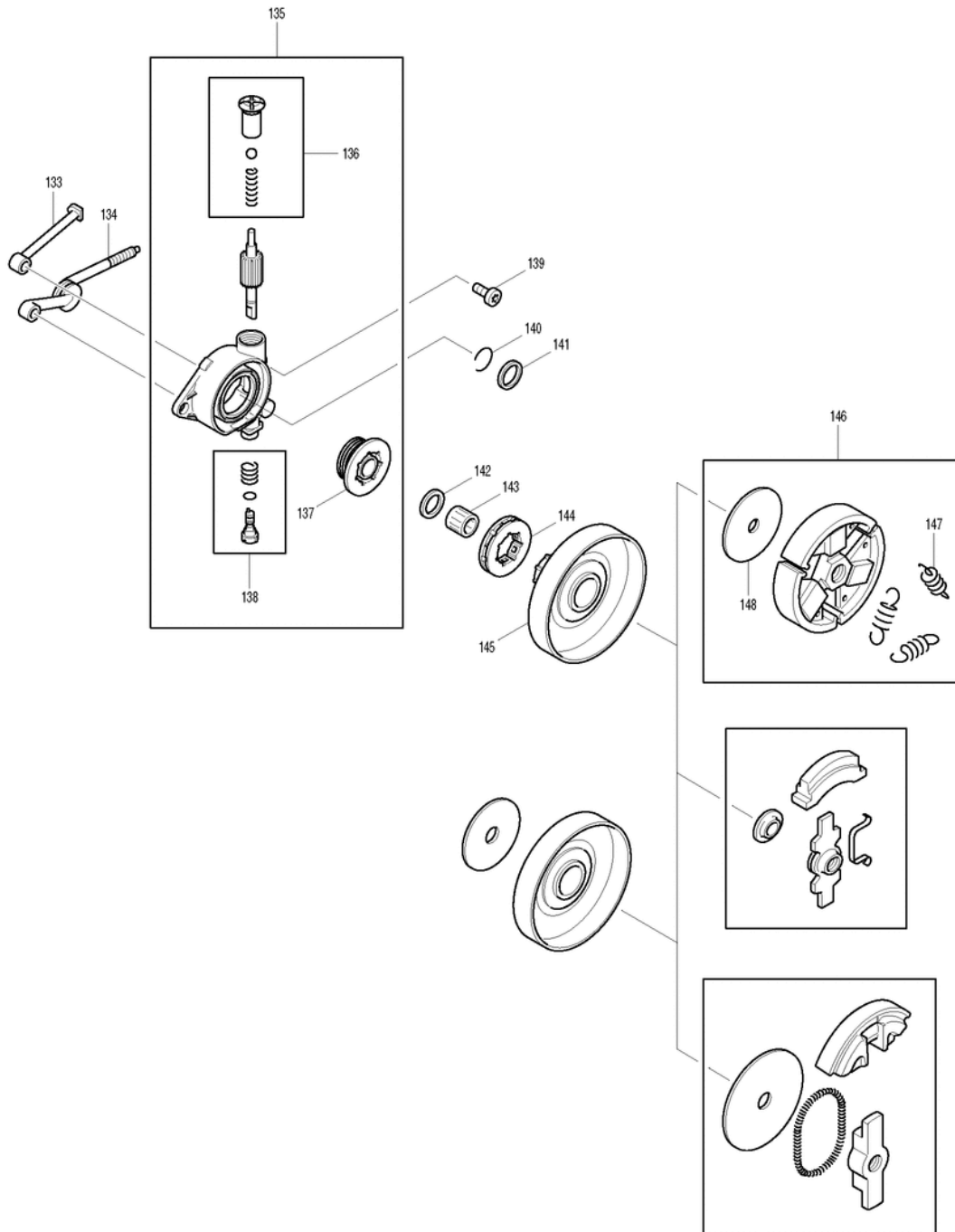


Makita Service Information / Model: DCS520





Makita Service Information / Model: DCS520





Makita Werkzeug Ges.m.b.H.

Airportstr. 4, 2401 Fischamend

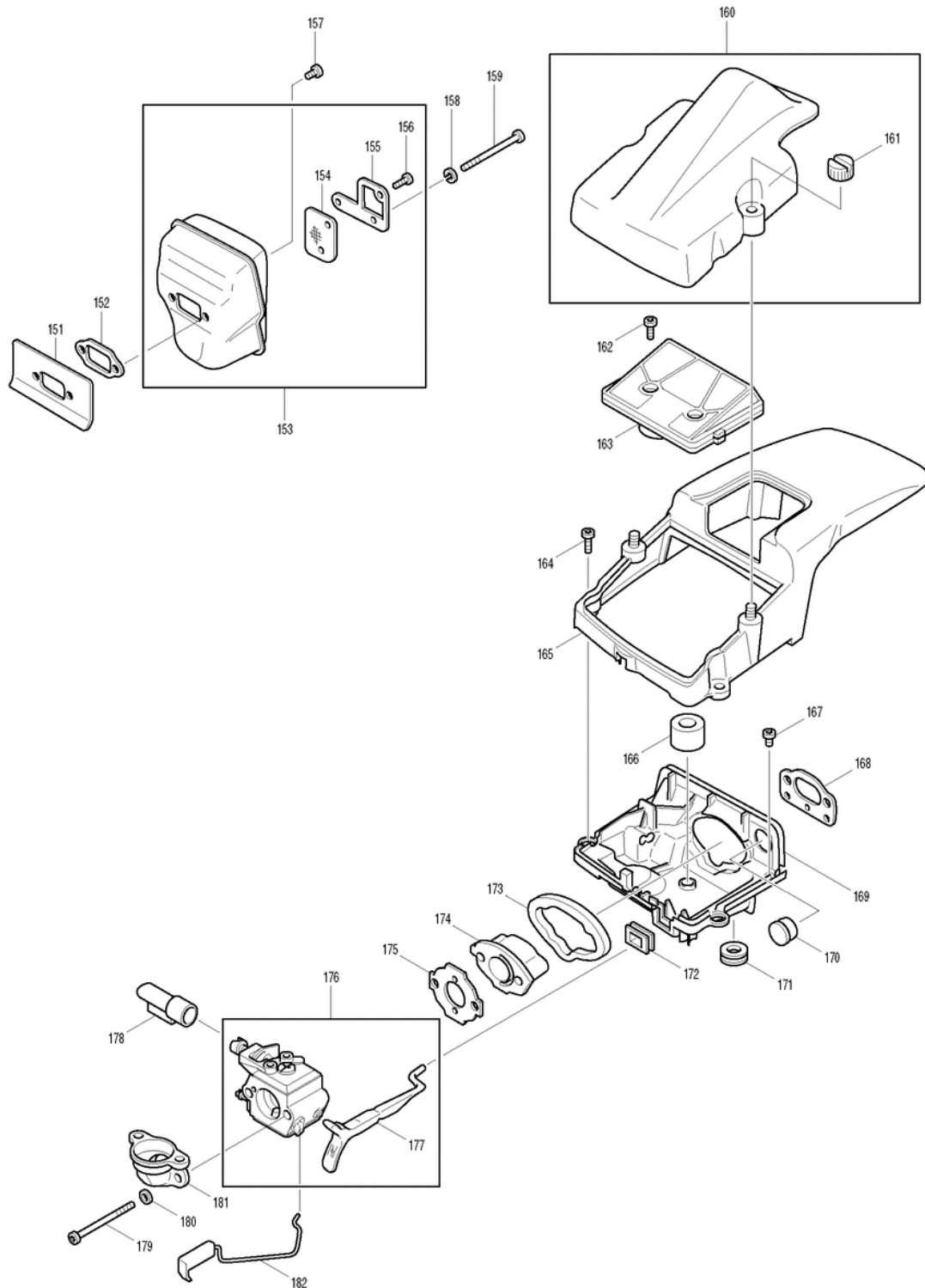
Tel: 02232 / 777 00

Fax: 02232 / 777 00 - 40

Mail: verkauf@makita.at

Web: www.makita.at

Makita Service Information / Model: DCS520





Makita Werkzeug Ges.m.b.H.

Airportstr. 4, 2401 Fischamend

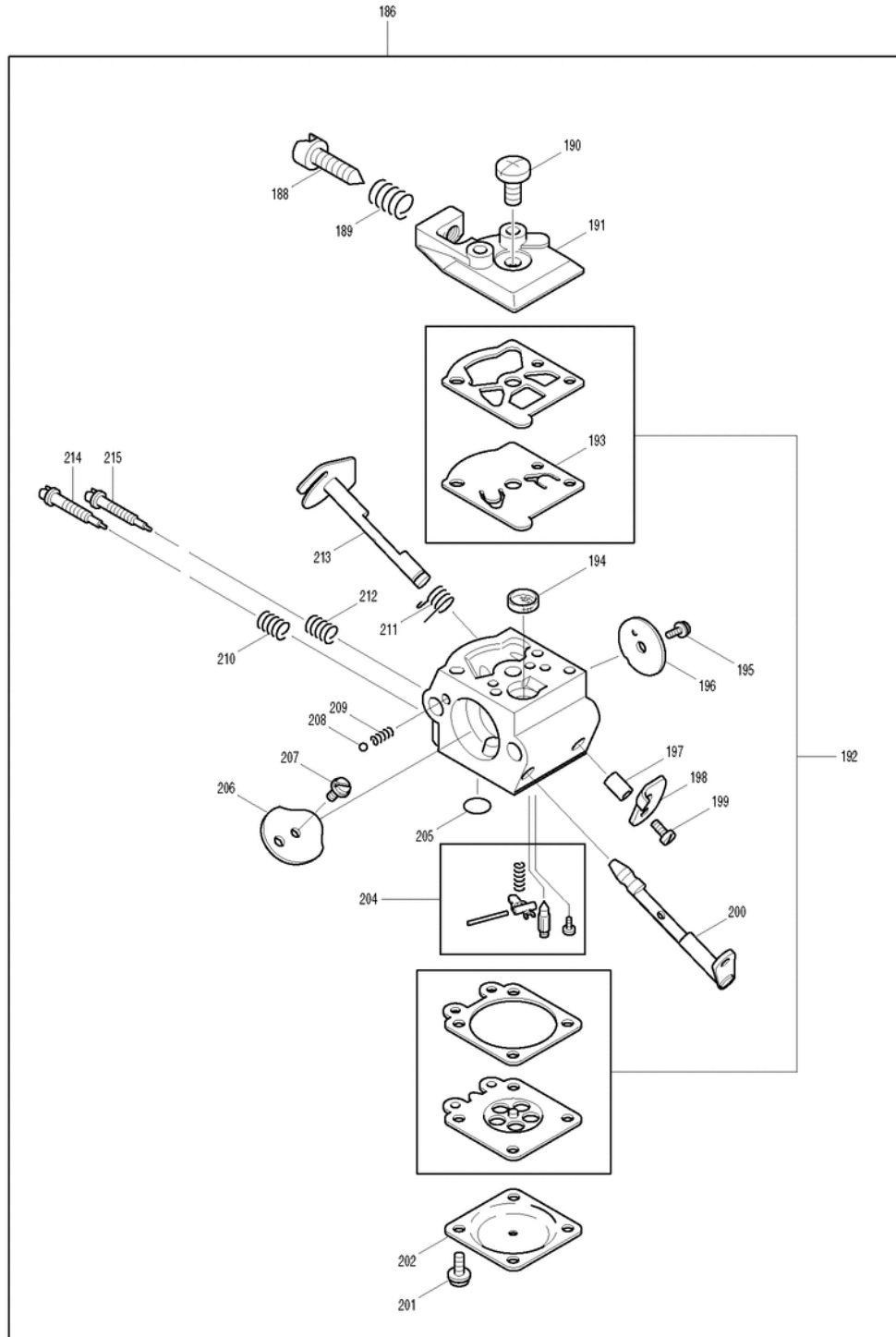
Tel: 02232 / 777 00

Fax: 02232 / 777 00 - 40

Mail: verkauf@makita.at

Web: www.makita.at

Makita Service Information / Model: DCS520





Makita Werkzeug Ges.m.b.H.

Airportstr. 4, 2401 Fischamend

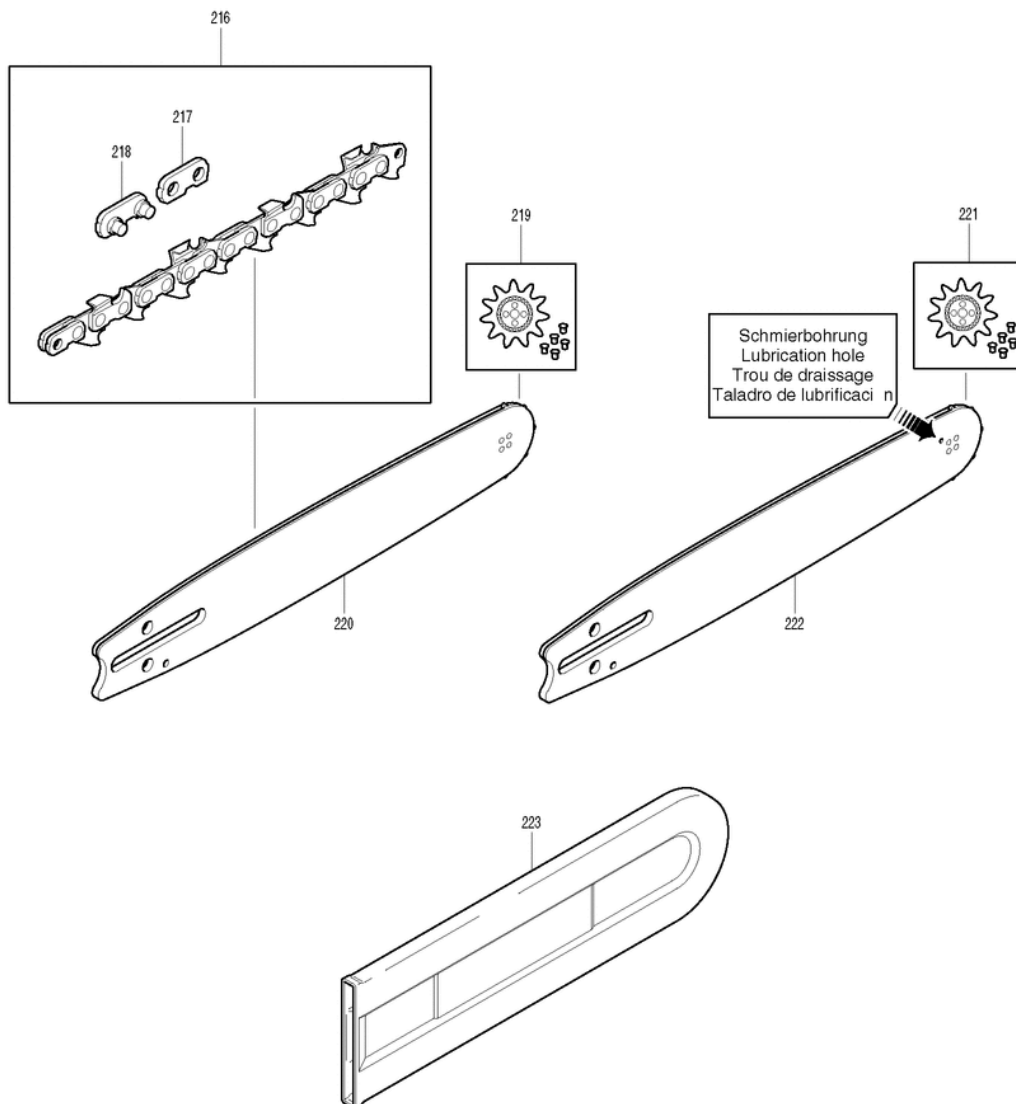
Tel: 02232 / 777 00

Fax: 02232 / 777 00 - 40

Mail: verkauf@makita.at

Web: www.makita.at

Makita Service Information / Model: DCS520





Makita Werkzeug Ges.m.b.H.

Airportstr. 4, 2401 Fischamend

Tel: 02232 / 777 00

Fax: 02232 / 777 00 - 40

Mail: verkauf@makita.at

Web: www.makita.at

Makita Service Information / Model: DCS520

POS	Bestell-Nr.	Artikelbeschreibung	Stk.	Stk.Preis
1	908005205	SCREW M5x20	4	N/A
2	001142012	PRUŽNÁ SPONA	1	N/A
3	965401011	RUBBER BUSH	1	N/A
5	965525042	GASKET new	1	N/A
6	026130000	CYLINDER/PISTON CPL.	1	N/A
6		*** INC. 7		N/A
7	020132111	PISTON ASSY.	1	N/A
7		*** INC. 8-10		N/A
8	027132020	PISTON RING new	1	N/A
9	001132010	PISTON PIN NEW	1	N/A
10	020132050	SPRING RING	2	N/A
11	962900050	TESNIACI KRÚŽOK12/20x4,5	1	N/A
12	020111631	CRANKASE (MAG.)	1	N/A
13	936430160	SPIRAL CLAMPING PIN	2	N/A
14	965525002	GASKET new	1	N/A
15	960102129	GULKOVE LOZISKO 6201 C3	1	N/A
16	939620371	KLIN 2,0X3,7	1	N/A
17	027120010	CRANKSHAFT	1	N/A
18	962211030	LOŽISKO IHLIČKOVÉ	1	N/A
19	027213520	HEXAGONAL HEAD SCREW	1	N/A
20	020111660	SKRIŇA PREVODOVKY KPL	1	N/A
20		*** INC. 21-23		N/A
21	027213320	LEAF SPRING	1	N/A
22	934950160	CLAMPING SLEEVE new	1	N/A
23	960102159	BALL BEARING 6202	1	N/A
24	027213270	SPRING	1	N/A
25	027213510	RING	1	N/A
26	027213500	MATICA RAMENA	1	N/A
27	962900052	RADIAL RING 15/24x7	1	N/A
28	010114031	UZÁVER OLEJOVEJ NÁDRŽE ÚPLNY	1	N/A
28		*** INC. 29		N/A
28.2	010114032	ZÁTKA OLEJOVÁ KPL.	1	N/A
28.2		*** INC. 29		N/A
29	963100050	TESNENIE ZÁTKY NÁDRŽKY	1	N/A
29.2	963100051	GASKET new	1	N/A
30	020173061	SNOW FILTER	1	N/A
31	908605145	FILLISTER HEAD SCREW M5x14	1	N/A
32	020173610	KRYT FILTRA	1	N/A
32.2	020173612	COVER FOR PREFILTER	1	N/A
33	020173011	PREFILTER new	1	N/A



Makita Werkzeug Ges.m.b.H.

Airportstr. 4, 2401 Fischamend

Tel: 02232 / 777 00

Fax: 02232 / 777 00 - 40

Mail: verkauf@makita.at

Web: www.makita.at

Makita Service Information / Model: DCS520

POS	Bestell-Nr.	Artikelbeschreibung	Stk.	Stk.Preis
34	908105204	COUNTERSUNK SCREW	1	N/A
34.2	908105205	Schraube M5x20	1	N/A
35	965401011	RUBBER BUSH	1	N/A
36	908005305	SKRUTKA TORX M5x30	6	N/A
37	923305000	SQUARE NUT	1	N/A
38	020111070	CRAMP	1	N/A
39	980113841	LABEL	1	N/A
39.2	980115888	LABEL	1	N/A
40	957605112	SHORT-CIRCUIT SWITCH cpl.	1	N/A
41	020250020	SPIKE BAR ASSY.	1	N/A
41		*** INC. 42		N/A
42	908005095	SKRUTKA TORX M5x9	2	N/A
43	389213080	SKRUTKA ŠPANOVÁKA	1	N/A
44	001213020	MATICA S ČAPOM	1	N/A
45	905808305	GUDGEON M8x30	1	N/A
46	020111172	GUIDE PLATE new	1	N/A
47	915135100	SKRUTKA ZAVITOREZNÁ 3,5x9,5	1	N/A
47.2	915535100	THREAD FORMING SCREW 3.5X9.5	1	N/A
48	010245010	VENT VALVE new	1	N/A
49	908005125	SCREW	1	N/A
50	020111082	CHAIN CATCH	1	N/A
51	001111011	SPCIAL SCREW M12x1	3	N/A
54	957310027	TUBULAR HANDLE ASSY.	1	N/A
54		*** INC. 55-60		N/A
54.2	957310027	TUBULAR HANDLE ASSY.	1	N/A
54.2		*** INC. 55-57		N/A
55	965403490	RUBBER BUFFER	1	N/A
56	021114051	UPEVNOVACIA OBJIMKA novA	1	N/A
57	908005305	SKRUTKA TORX M5x30	1	N/A
58	913455164	SCREW	2	N/A
59	020310600	COVER	1	N/A
60	913455164	SCREW	2	N/A
61	020114640	TANK ASSY. blue	1	N/A
61		*** INC. 62,64,66-70,72-74		N/A
62	965451901	TANK PLUG ASSY. new	1	N/A
62		*** INC. 63		N/A
63	963232045	PACKING RING	1	N/A
63		*** INC. 65		N/A
64	963601120	FILTER PALIVOVÝ	1	N/A
65	963601240	FELT	1	N/A



Makita Werkzeug Ges.m.b.H.

Airportstr. 4, 2401 Fischamend

Tel: 02232 / 777 00

Fax: 02232 / 777 00 - 40

Mail: verkauf@makita.at

Web: www.makita.at

Makita Service Information / Model: DCS520

POS	Bestell-Nr.	Artikelbeschreibung	Stk.	Stk.Preis
66	020117301	CATCH LEVER	2	N/A
67	957114010	VENT VALVE cpl.	1	N/A
67.2	957114011	VENT VALVE ASSY.	1	N/A
68	020117160	BEND SPRING	1	N/A
69	020117301	CATCH LEVER	1	N/A
70	020117290	THROTTLE LEVER/LINKAGE cpl.	1	N/A
70		*** INC. 71		N/A
71	020117273	SPRING	1	N/A
72	965404520	GASKET	1	N/A
72.2	965404521	DICHTUNG	1	N/A
73	965404460	FUEL LINE	1	N/A
74	935932320	CYLINDRICAL PIN	3	N/A
75	913447134	SCREW	3	N/A
76	965403280	TLMIČ VIBRÁCIÍ	3	N/A
76.2	965403282	RUBBER BUFFER	3	N/A
77	908005165	FILLISTER HEAD SCREW M5x16	4	N/A
78	026160640	STARTER ASSY. new	1	N/A
78		*** INC. 79,80,82-87		N/A
79	965402262	STARTER GRIP new	1	N/A
80	020112630	FAN HOUSING CPL. new	1	N/A
82	020163031	REWIND SPRING IN HOUS. new	1	N/A
83	915135100	SKRUTKA ZAVITOREZNÁ 3,5x9,5	3	N/A
83.2	915535100	THREAD FORMING SCREW 3.5X9.5	3	N/A
84	985000155	STARTER ROPE(ROLL)DM=3.5 x100M	1	N/A
85	027162070	ŠTART.KLADKA	1	N/A
86	924108400	DISC	1	N/A
87	929108080	SAFETY DISC	1	N/A
88	020112010	AIR DUCT	1	N/A
89	920308024	HEXAGONAL NUT M8x1	1	N/A
90	928308001	PRUZNA PODLOZKA 8x17	1	N/A
91	957604260	FAJKA SVIEČKY	1	N/A
91		*** INC. 92		N/A
92	965604180	Pruzina	1	N/A
93	965603021	ZAPAL. SVIECKA NKG BPMR	1	N/A
94	970502050	INSULATING HOSE	1	N/A
95	970502110	INSULATING HOSE	1	N/A
96	908605205	FILLISTER HEAD SCREW M5x20	2	N/A
97	027140000	IGNITION ASSY.	1	N/A
97		*** INC. 98,101		N/A
97.2	027140001	IGNITION ASSY. new	1	N/A



Makita Werkzeug Ges.m.b.H.

Airportstr. 4, 2401 Fischamend

Tel: 02232 / 777 00

Fax: 02232 / 777 00 - 40

Mail: verkauf@makita.at

Web: www.makita.at

Makita Service Information / Model: DCS520

POS	Bestell-Nr.	Artikelbeschreibung	Stk.	Stk.Preis
97.2		*** INC. 98,101		N/A
98	027141020	FLYWHEEL ASSY.	1	N/A
98		*** INC. 99		N/A
98.2	027141021	FLYWHEEL ASSY. new	1	N/A
98.2		*** INC. 99		N/A
99	108166051	ZÁPADKA ŠTART. 111,109,115 110	1	N/A
99		*** INC. 100		N/A
100	122166020	SPRING	2	N/A
101	020143030	IGNITION COIL CPL.	1	N/A
101		*** INC. 102,103		N/A
101.2	020143031	IGNITION COIL cpl.	1	N/A
101.2		*** INC. 102,103		N/A
102	001147000	SHORT-CIRCUIT CABLE	1	N/A
103	970310200	KÁBEL INDUKČNÝ	1	N/A
104	027213452	HAND GUARD cpl. new	1	N/A
104		*** INC. 105-109		N/A
105	905005184	SCREW	1	N/A
106	027213221	DISENGAGING LEVER	1	N/A
107	027213462	HAND GUARD	1	N/A
108	980114237	LABEL new	1	N/A
109	027213430	BUSHING SET	1	N/A
109		*** INC. 110-111		N/A
110	027213150	RUBBER BUSH	1	N/A
111	027213161	BUSH	1	N/A
112	908005205	SCREW M5x20	1	N/A
113	923208004	SESTRANNA MATICA M8 novA	2	N/A
114	027213651	PÁS BRZDY	1	N/A
114		*** INC. 115-132		N/A
114.2	027213652	CHAIN BRAKE ASSY.	1	N/A
114.2		*** INC. 115-132		N/A
115	027213130	SHAFT FOR BRAKE LEVER	1	N/A
116	027213140	SHAFT FOR LEVER	1	N/A
117	980114391	LABEL	1	N/A
118	027213280	OCHRANNÁ PLATNIČKA	1	N/A
119	027213350	BRAKE BAND HOLDER	1	N/A
120	913205125	TAPPING LENS SCREW	1	N/A
121	027213050	PÁS BRZDY D115	1	N/A
122	924500049	DISC	1	N/A
123	913205125	TAPPING LENS SCREW	1	N/A
124	027213111	COVER PLATE	1	N/A



Makita Werkzeug Ges.m.b.H.

Airportstr. 4, 2401 Fischamend

Tel: 02232 / 777 00

Fax: 02232 / 777 00 - 40

Mail: verkauf@makita.at

Web: www.makita.at

Makita Service Information / Model: DCS520

POS	Bestell-Nr.	Artikelbeschreibung	Stk.	Stk.Preis
125	913205125	TAPPING LENS SCREW	1	N/A
126	927304000	Safety washer	1	N/A
127	027111041	GUIDE PLATE new	1	N/A
127.2	027111042	GUIDE PLATE	1	N/A
128	915135100	SKRUTKA ZAVITOREZNÁ 3,5x9,5	1	N/A
128.2	915535100	THREAD FORMING SCREW 3.5X9.5	1	N/A
129	927304000	Safety washer	1	N/A
130	913205125	TAPPING LENS SCREW	1	N/A
131	027213120	SPRING	1	N/A
132	027213560	RUBBER PLATE	1	N/A
133	020245020	PRESSURE LINE	1	N/A
134	020245020	PRESSURE LINE	1	N/A
135	027245160	OLEJOVÁ PUMPA KPL.	1	N/A
135		*** INC.136-138		N/A
136	030245070	REPAIR KIT CPL. □O.	1	N/A
137	027245010	PUMP DRIVE □O.	1	N/A
138	030245070	REPAIR KIT CPL. □O.	1	N/A
139	908005125	SCREW	2	N/A
140	930916160	SPRING RING	1	N/A
141	001245320	STOP RING	1	N/A
142	027245020	STOP DISC	1	N/A
142.2	027245021	STOP DISC	1	N/A
143	962210025	LOŽISKO IHLIČKOVÉ	1	N/A
144	020224070	PRSTENEC ZAB.KOLA .325"	1	N/A
145	027223020	CLUTCH DRUM	1	N/A
145.2	027223101	BUBON SPOJKY D 111	1	N/A
146	957180030	CLUTCH ASSY. new	1	N/A
146		*** INC. 147-148		N/A
147	024184021	TENSION SPRING	3	N/A
148	001182060	DISC	1	N/A
151	020174170	HEAT SHIELD	1	N/A
152	965522032	GASKET	1	N/A
152.2	965522033	GASKET	1	N/A
153	020174160	MUFFLER new	1	N/A
157	908005095	SKRUTKA TORX M5x9	1	N/A
158	928405000	UPINACI KOTUC	2	N/A
159	908205625	FILLISTER HEAD SCREW new	2	N/A
160	020118121	OBAL MOTORA	1	N/A
160		*** INC. 161		N/A
161	001118062	MATICA VRÚBKOVANÁ	2	N/A



Makita Werkzeug Ges.m.b.H.

Airportstr. 4, 2401 Fischamend

Tel: 02232 / 777 00

Fax: 02232 / 777 00 - 40

Mail: verkauf@makita.at

Web: www.makita.at

Makita Service Information / Model: DCS520

POS	Bestell-Nr.	Artikelbeschreibung	Stk.	Stk.Preis
162	908605145	FILLISTER HEAD SCREW M5x14	2	N/A
163	020173202	VZDUCHOVY FILTER (NYLON) UPLNY	1	N/A
164	908005165	FILLISTER HEAD SCREW M5x16	3	N/A
165	027118154	HOOD cpl. new	1	N/A
166	965404780	GASKET	1	N/A
167	908005095	SKRUTKA TORX M5x9	1	N/A
168	965525032	GASKET new	1	N/A
169	027118054	BOTTOM	1	N/A
170	965404230	PLUG (CARB.HEATING)	1	N/A
171	965401024	RUBBER BUSH	1	N/A
172	965404410	RUBBER BUSH	1	N/A
173	965404341	GASKET	1	N/A
174	020131041	INTERMEDIATE FLANGE	1	N/A
174.2	020131043	INTER MEDIATE FLANGE	1	N/A
175	965524022	GASKET new	1	N/A
175.2	965524023	GASKET	1	N/A
176	027151010	CARBURETOR cpl.	1	N/A
176		*** INC. 177		N/A
176.2	027151011	INJECTION CARBURETOR	1	N/A
176.2		*** INC. 177		N/A
177	027150830	CHOKE LEVER	1	N/A
178	020118030	GUIDE PIECE	1	N/A
179	908205658	FILLISTER HEAD SCREW	2	N/A
180	924105300	WASHER	2	N/A
181	020171100	CONNECTING MUFF	1	N/A
182	020117281	THROTTLE LINKAGE CPL. new	1	N/A
186	027151010	CARBURETOR cpl.	1	N/A
186		*** INC. 188-213,214,215		N/A
186.2	027151010	CARBURETOR cpl.	1	N/A
186.2		*** INC. 177,188-215		N/A
186.3	027151011	INJECTION CARBURETOR	1	N/A
186.3		*** INC. 177,188-215		N/A
188	001151240	IDLE STOP SCREW	1	N/A
189	021151230	SPRING	1	N/A
190	118151190	FILLISTER HEAD SCREW	1	N/A
191	001151165	PUMP COVER	1	N/A
192	021151540	SADA MEMBRAN+TESNENIE	1	N/A
192		*** INC. 193		N/A
193	021151150	PUMP DIAPHR.- RUBBER	1	N/A
194	021151180	SCREEN	1	N/A



Makita Werkzeug Ges.m.b.H.

Airportstr. 4, 2401 Fischamend

Tel: 02232 / 777 00

Fax: 02232 / 777 00 - 40

Mail: verkauf@makita.at

Web: www.makita.at

Makita Service Information / Model: DCS520

POS	Bestell-Nr.	Artikelbeschreibung	Stk.	Stk.Preis
195	118151060	SCREW	1	N/A
196	021151320	THROTTLE SHUTTER	1	N/A
197	001151580	SLEEVE	1	N/A
198	001151590	LEVER	1	N/A
199	118151060	SCREW	1	N/A
200	001151600	CHOKE SHAFT	1	N/A
201	118151020	SKRUTKA DBC 340	4	N/A
202	021151120	DIAPHRAGM COVER	1	N/A
204	957150040	SADA KARBURÁTORA	1	N/A
205	144150030	COVER DISC	1	N/A
206	001151260	CHOKE SHUTTER	1	N/A
207	118151060	SCREW	1	N/A
208	118151170	FRICTION BALL	1	N/A
209	118151160	FRICTION SPRING	1	N/A
210	021151530	SPRING (H)	1	N/A
211	001151310	SPRING	1	N/A
212	021151480	SPRING (L)	1	N/A
213	001151301	THROTTLE SHAFT new	1	N/A
214	001151510	MAIN ADJUSTM. SCREW	1	N/A
215	001151470	IDLING ADJUSTM. SCREW	1	N/A
216	528086664	SAW CHAIN 15"	1	N/A
216	528086666	SAW CHAIN 16"	1	N/A
216	528086672	SAW CHAIN 18"	1	N/A
219	411406700	Sprocket nose cpl.	1	N/A
220	445038631	SPROCKET NOSE BAR 15"	1	N/A
220	445040631	SPROCKET NOSE BAR 16"	1	N/A
220	445045631	SPROCKET NOSE BAR 18"	1	N/A
220		*** INC. 219		N/A
220		*** INC. 219		N/A
220		*** INC. 219		N/A
223	952100643	CHAIN PROT. COVER 15"-18"	1	N/A
223.2	952020650	CHAIN PROT. COVER 15"-18"	1	N/A