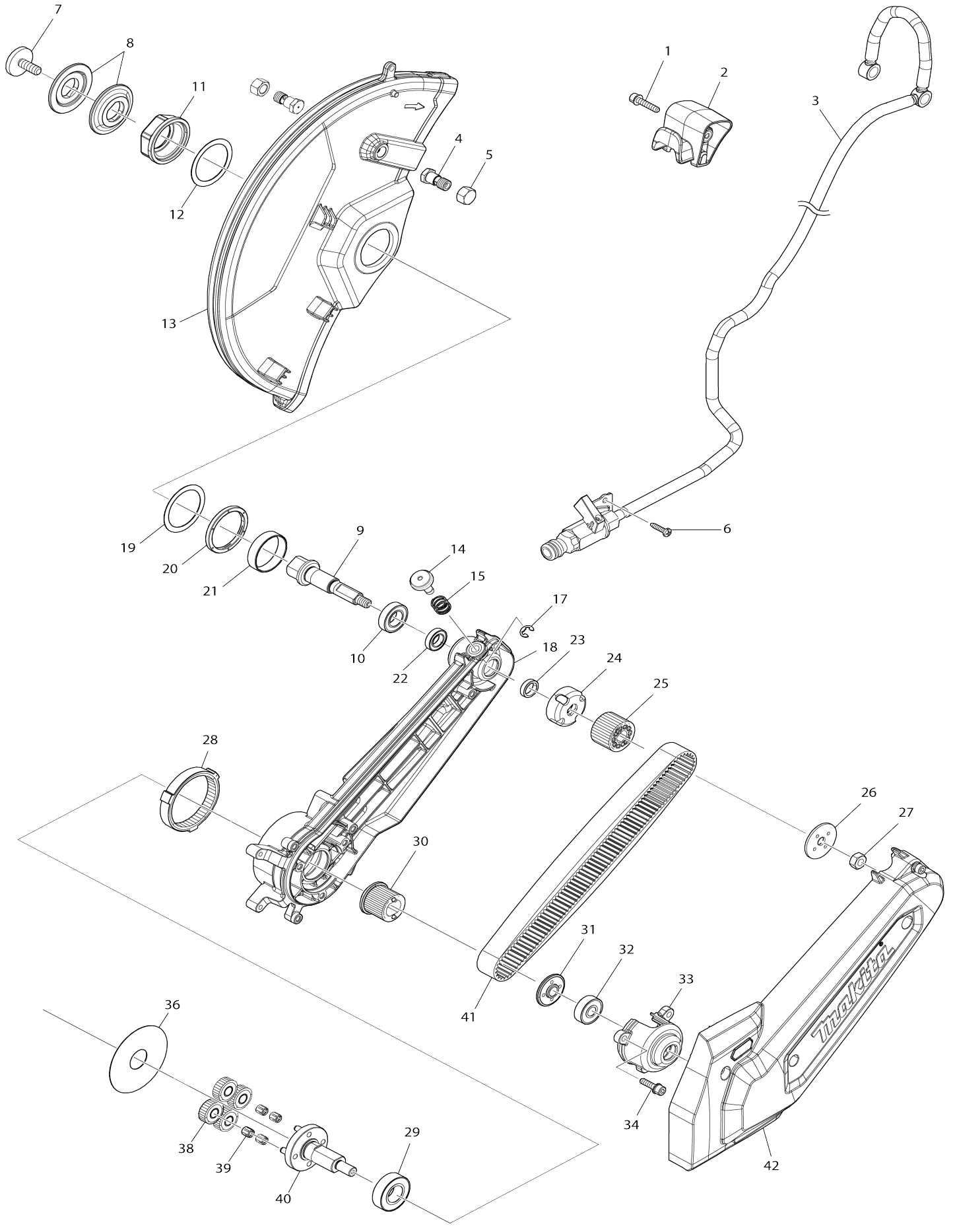
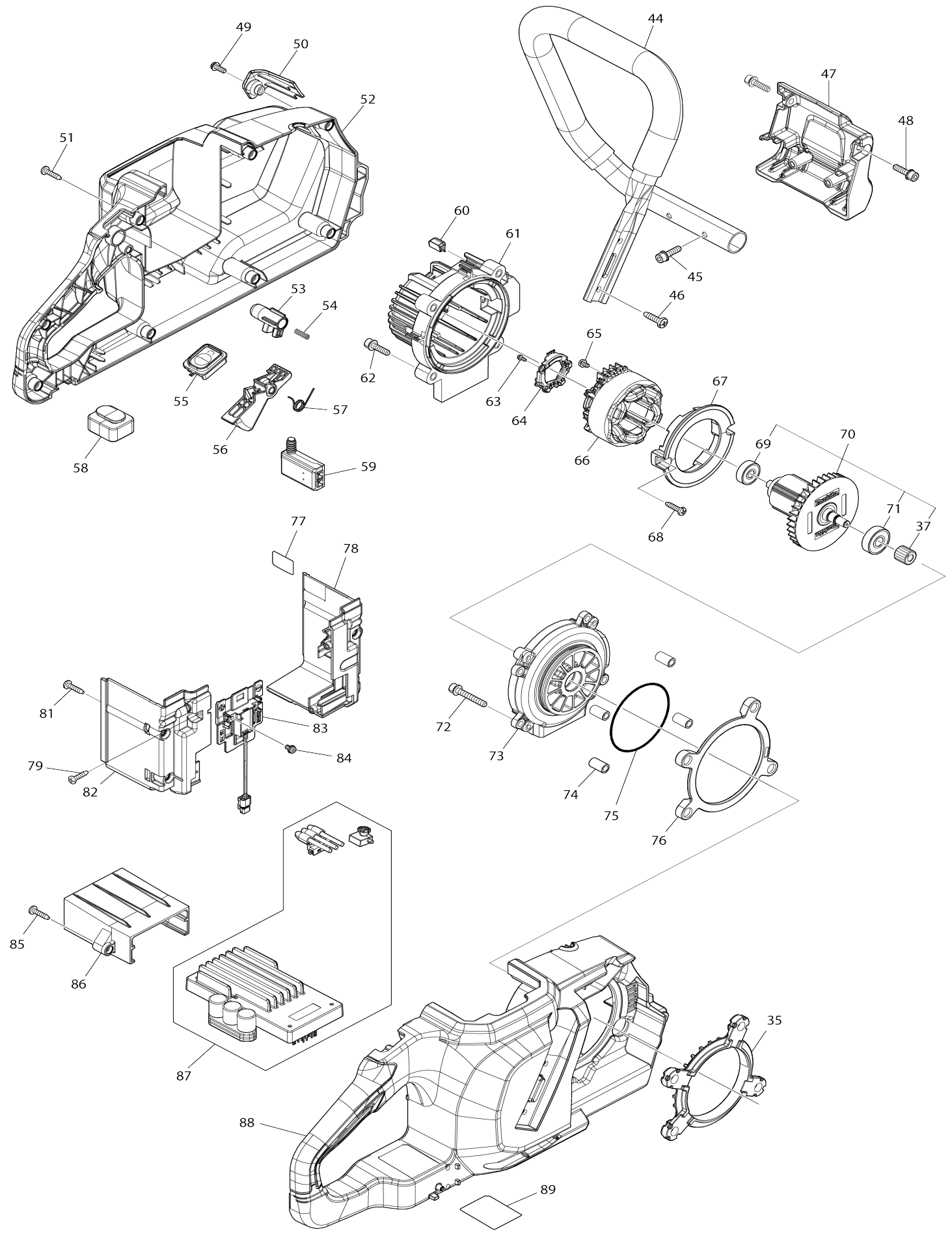


# Model No.CE004G 305MM CORDLESS POWER CUTTER



# Model No.CE004G 305MM CORDLESS POWER CUTTER



Model No.CE004G 305MM CORDLESS POWER CUTTER

| Item No. | Parts No. | Description                  | Interchangability | Q'ty | New/Old | Note1 | Note2 |
|----------|-----------|------------------------------|-------------------|------|---------|-------|-------|
| 001      | 922243-3  | HEX. SOCKET HEAD BOLT M5X25  |                   | 1    |         |       |       |
| 002      | 413Y26-7  | WHEEL COVER GRIP             |                   | 1    |         |       |       |
| 003      | 122G30-4  | HOSE ASSEMBLY                |                   | 1    |         |       |       |
| 004      | 265C26-9  | HEX.BOLT M10X21              |                   | 2    |         |       |       |
| 005      | 252306-4  | HEX.NUT M10                  |                   | 2    |         |       |       |
| 006      | 266326-2  | TAPPING SCREW 4X18           |                   | 2    |         |       |       |
| 007      | 266976-3  | HEX. BOLT M8X25              |                   | 1    |         |       |       |
| 008      | 224635-5  | FLANGE 50                    |                   | 2    |         |       |       |
| 009      | 327D39-5  | SPINDLE                      |                   | 1    |         |       |       |
| 010      | 211244-9  | BALL BEARING 6902LLU         |                   | 1    |         |       |       |
| 011      | 312F61-7  | BEARING RETAINER             |                   | 1    |         |       |       |
| 012      | 261178-6  | POLYACETAL WASHER 38         |                   | 1    |         |       |       |
| 013      | 312F06-5  | WHEEL COVER 305              |                   | 1    |         |       |       |
| 014      | 137186-8  | PIN CAP ASS'Y                |                   | 1    |         |       |       |
| 015      | 233089-5  | COMPRESSION SPRING 12        |                   | 1    |         |       |       |
| 017      | 961012-7  | STOP RING E-6                |                   | 1    |         |       |       |
| 018      | 312F05-7  | CUTTING DEVICE               |                   | 1    |         |       |       |
| 019      | 261178-6  | POLYACETAL WASHER 38         |                   | 1    |         |       |       |
| 020      | 422B46-2  | RUBBER RING 39               |                   | 1    |         |       |       |
| 021      | 257A32-6  | RING 35                      |                   | 1    |         |       |       |
| 022      | 210245-4  | BALL BEARING 6801LLU         |                   | 1    |         |       |       |
| 023      | 257A31-8  | RING 12                      |                   | 1    |         |       |       |
| 024      | 347C25-4  | PULLY BOTTOM PLATE           |                   | 1    |         |       |       |
| 025      | 222212-7  | PULLEY 21-30.7               |                   | 1    |         |       |       |
| 026      | 347C26-2  | PULLEY PLATE 36              |                   | 1    |         |       |       |
| 027      | 931402-8  | HEX. NUT M8                  |                   | 1    |         |       |       |
| 028      | 227B48-1  | INTERNAL GEAR 72             |                   | 1    |         |       |       |
| 029      | 210301-0  | BALL BEARING 6003DDW         |                   | 1    |         |       |       |
| 030      | 222213-5  | PULLEY 21-27.5               |                   | 1    |         |       |       |
| 031      | 327D38-7  | PULLEY PLATE 32              |                   | 1    |         |       |       |
| 032      | 211092-6  | BALL BEARING 629DDW          |                   | 1    |         |       |       |
| 033      | 312F02-3  | PULLEY COVER                 |                   | 1    |         |       |       |
| 034      | 922233-6  | H.S.H.BOLT M5X20 WITH WR     |                   | 3    |         |       |       |
| 035      | 422B44-6  | DAMPER A                     |                   | 1    |         |       |       |
| 036      | 253599-6  | FLAT WASHER 20               |                   | 1    |         |       |       |
| 037      | 227B46-5  | SPUR GEAR 16                 |                   | 1    |         |       |       |
| 038      | 227B47-3  | SPUR GEAR 27                 |                   | 4    |         |       |       |
| 039      | 212265-4  | NEEDLE CAGE 508              |                   | 4    |         |       |       |
| 040      | 141V25-8  | CARRIER COMPLETE             |                   | 1    |         |       |       |
| 041      | 225112-0  | SYNCHRO BELT 20-575          |                   | 1    |         |       |       |
| 042      | 137119-3  | BELT COVER ASSEMBLY          |                   | 1    |         |       |       |
| C10      | 265B09-3  | H.S. HEAD BOLT M5X30 WITH WR |                   | 5    |         |       |       |
| 044      | 327D37-9  | FRONT GRIP 26                |                   | 1    |         |       |       |
| 045      | 922233-6  | H.S.H.BOLT M5X20 WITH WR     |                   | 2    |         |       |       |
| 046      | 266420-0  | TAPPING SCREW 5X20           |                   | 2    |         |       |       |
| 047      | 312F04-9  | STAND SUPPORT                |                   | 1    |         |       |       |
| 048      | 922233-6  | H.S.H.BOLT M5X20 WITH WR     |                   | 2    |         |       |       |

|     |          |                          |  |   |  |  |
|-----|----------|--------------------------|--|---|--|--|
| 049 | 911118-1 | PAN HEAD SCREW M4X12     |  | 1 |  |  |
| 050 | 413Y18-6 | LENS                     |  | 1 |  |  |
| 051 | 266326-2 | TAPPING SCREW 4X18       |  | 8 |  |  |
| 052 | 1830N5-4 | HOUSING SET              |  | 1 |  |  |
| D10 |          | INC. 88                  |  |   |  |  |
| 053 | 413Y21-7 | LOCK OFF BUTTON          |  | 1 |  |  |
| 054 | 232444-8 | COMPRESSION SPRING 4     |  | 1 |  |  |
| 055 | 141V21-6 | SWITCH CIRCUIT COMPLETE  |  | 1 |  |  |
| 056 | 413Y20-9 | SWITCH LEVER             |  | 1 |  |  |
| 057 | 232854-9 | TORSION SPRING 10        |  | 1 |  |  |
| 058 | 422823-0 | REAR FOOT                |  | 1 |  |  |
| 059 | 632V44-0 | SWITCH UNIT              |  | 1 |  |  |
| 060 | 620N97-3 | LED CIRCUIT              |  | 1 |  |  |
| 061 | 413Y19-4 | MOTOR HOUSING            |  | 1 |  |  |
| 062 | 922233-6 | H.S.H.BOLT M5X20 WITH WR |  | 4 |  |  |
| 063 | 652119-7 | PAN HEAD SCREW M2X6      |  | 3 |  |  |
| 064 | 620P38-1 | SENSOR UNIT              |  | 1 |  |  |
| 065 | 652069-6 | FLAT HEAD SCREW M3X6     |  | 3 |  |  |
| 066 | 629C70-4 | STATOR                   |  | 1 |  |  |
| 067 | 413Y22-5 | BAFFLE PLATE             |  | 1 |  |  |
| 068 | 266326-2 | TAPPING SCREW 4X18       |  | 2 |  |  |
| 069 | 210023-2 | BALL BEARING 627DDW      |  | 1 |  |  |
| 070 | 519856-5 | ROTOR ASS'Y              |  | 1 |  |  |
| D10 |          | INC. 37,69,71            |  |   |  |  |
| 071 | 211092-6 | BALL BEARING 629DDW      |  | 1 |  |  |
| 072 | 922258-0 | H.S.H.BOLT M5X35 WITH WR |  | 4 |  |  |
| 073 | 312F00-7 | BEARING BOX              |  | 1 |  |  |
| 074 | 257A33-4 | SLEEVE 6                 |  | 4 |  |  |
| 075 | 213720-9 | O RING 67                |  | 1 |  |  |
| 076 | 422B45-4 | DAMPAR B                 |  | 1 |  |  |
| 077 | 8146N9-8 | CE004G SERIAL NO.LABEL   |  | 1 |  |  |
| 078 | 1830M9-9 | TERMINAL BOX SET         |  | 1 |  |  |
| C10 | 263005-3 | RUBBER PIN 6             |  | 2 |  |  |
| D10 |          | INC. 82                  |  |   |  |  |
| 079 | 266326-2 | TAPPING SCREW 4X18       |  | 2 |  |  |
| 081 | 266326-2 | TAPPING SCREW 4X18       |  | 4 |  |  |
| 082 | 1830M9-9 | TERMINAL BOX SET         |  | 1 |  |  |
| C10 | 263005-3 | RUBBER PIN 6             |  | 2 |  |  |
| D10 |          | INC. 78                  |  |   |  |  |
| 083 | 632V23-8 | TERMINAL UNIT            |  | 1 |  |  |
| 084 | 652031-1 | PAN HEAD SCREW M3X6      |  | 2 |  |  |
| 085 | 266326-2 | TAPPING SCREW 4X18       |  | 2 |  |  |
| 086 | 413Y25-9 | CONTROLLER CASE          |  | 1 |  |  |
| 087 | 620N99-9 | CONTROLLER               |  | 1 |  |  |
| 088 | 1830N5-4 | HOUSING SET              |  | 1 |  |  |
| D10 |          | INC. 52                  |  |   |  |  |
| 089 | 8146N8-0 | CE004G NAME PLATE        |  | 1 |  |  |
| A01 | 122G62-1 | WRENCH HOLDER ASSEMBLY   |  | 1 |  |  |
| A02 | 123121-2 | COUPLING SLEEVE          |  | 1 |  |  |
| A03 | 782039-2 | BOX WRENCH 13-19         |  | 1 |  |  |
| A04 | 1914A3-7 | RING SET                 |  | 1 |  |  |
|     |          |                          |  |   |  |  |

|     |          |           |  |   |  |  |  |
|-----|----------|-----------|--|---|--|--|--|
| A05 | 224636-3 | FLANGE 80 |  | 2 |  |  |  |
|-----|----------|-----------|--|---|--|--|--|

Please state Parts No. when your order.

Print Date 10. 09. 2024