



Makita Werkzeug Ges.m.b.H.

Airportstr. 4, 2401 Fischamend

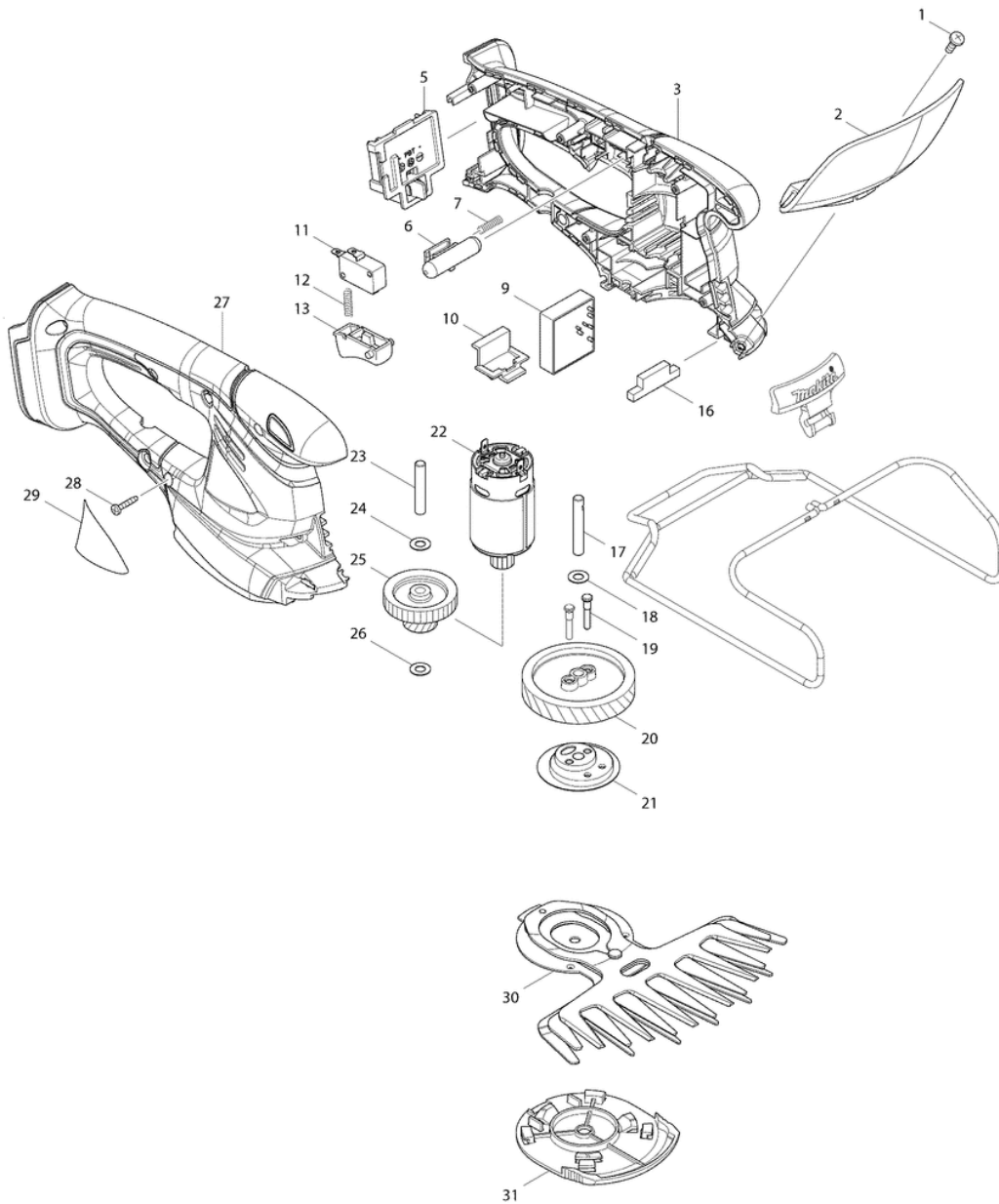
Tel: 02232 / 777 00

Fax: 02232 / 777 00 - 40

Mail: verkauf@makita.at

Web: www.makita.at

Makita Service Information / Model: BUM168





Makita Werkzeug Ges.m.b.H.

Airportstr. 4, 2401 Fischamend

Tel: 02232 / 777 00

Fax: 02232 / 777 00 - 40

Mail: verkauf@makita.at

Web: www.makita.at

Makita Service Information / Model: BUM168

POS	Bestell-Nr.	Artikelbeschreibung	Stk.	Stk.Preis
1	915116-7	BINDING HEAD SCREW M4X12	1	N/A
2	140599-4	PROTECTOR CPL	1	N/A
3	187426-4	HOUSING SET	1	N/A
3		*** INC. 27		N/A
5	643852-2	TERMINAL	1	N/A
6	452438-9	Lock Off Button	1	N/A
7	231473-8	COMPRESSION SPRING 4	1	N/A
9	620119-5	CONTROLLER ASS□	1	N/A
10	451812-8	Lock Lever	1	N/A
11	651891-8	VYPINAC V-15-3A6	1	N/A
12	231473-8	COMPRESSION SPRING 4	1	N/A
13	417564-1	Switch lever	1	N/A
16	451814-4	Dust Guard	1	N/A
17	268254-7	Pin 6	1	N/A
18	261122-3	WASHER 6	1	N/A
19	268256-3	Pin 4	2	N/A
20	227728-7	HELICAL GEAR 47	1	N/A
21	165609-6	CRANK COMPLETE	1	N/A
22	629945-9	DC MOTOR	1	N/A
23	268076-5	PIN 6	1	N/A
24	261122-3	WASHER 6	1	N/A
25	226831-1	GEAR	1	N/A
26	261122-3	WASHER 6	1	N/A
27	187426-4	HOUSING SET	1	N/A
27		*** INC. 3		N/A
28	266429-2	SKRUTKA 3X16MM	6	N/A
29	896939-1	BUM168 NAME PLATE	1	N/A
30	195267-4	SHEAR BLADE ASSEMBLY SET	1	N/A
31	140451-6	UNDER COVER COMPLETE	1	N/A
1001	326146-7	BASE FRAME	1	N/A
1002	451813-6	CHANGE LEVER	1	N/A
1003	452055-5	BLADE COVER	1	N/A
1004	***DC18RC	DC18RC FAST CHARGER	1	N/A
1005	194204-5	BATTERY BL1830 SET	1	N/A
1005.2	194204-5	BATTERY BL1830 SET	1	N/A