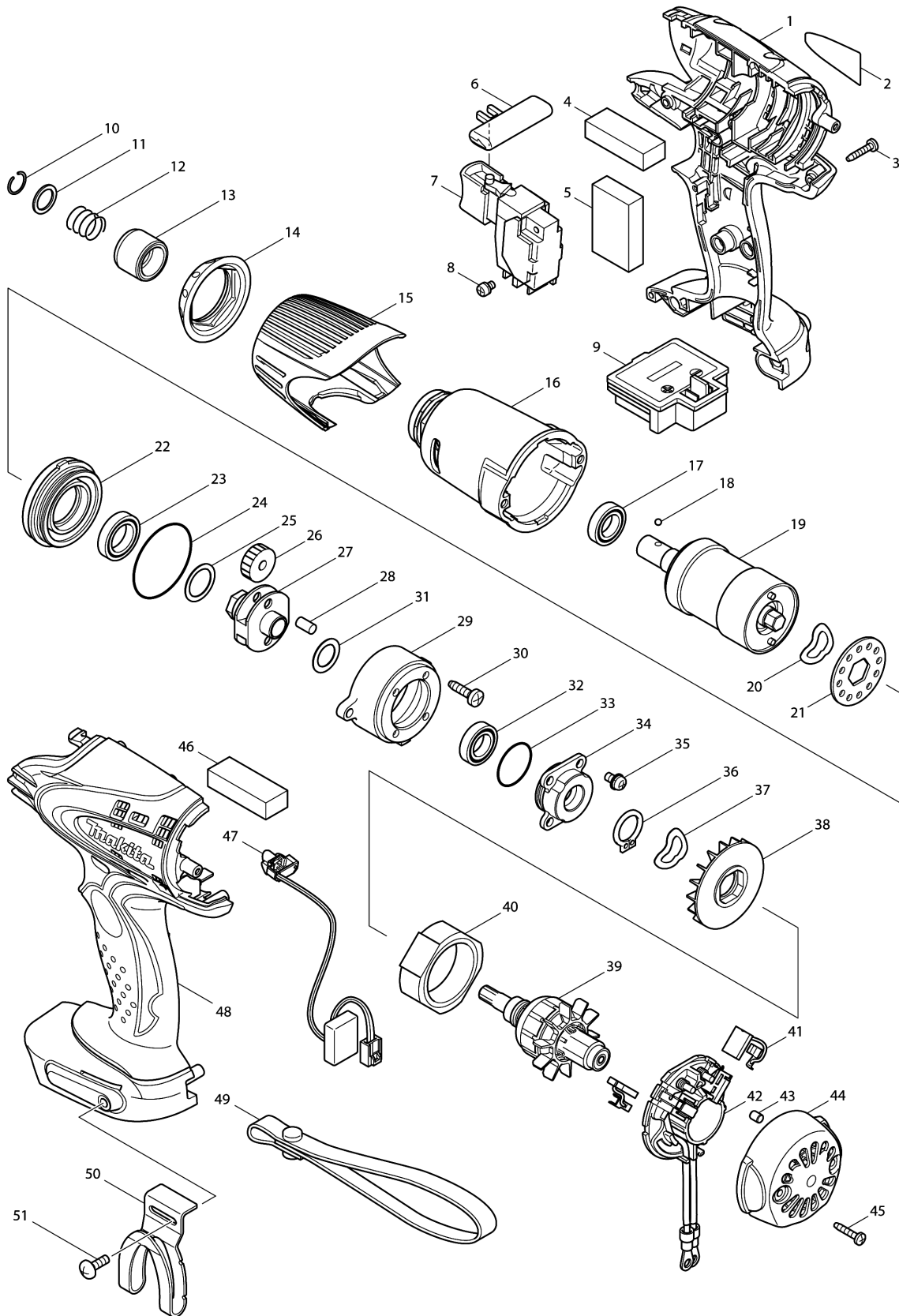


Model No.BTS130 CORDLESS OIL-IMPULSE DRIVER



Model No.BTS130 CORDLESS OIL-IMPULSE DRIVER

Položka	Objednávacie číslo	Popis	Zmena	ks	New/Old	Možnosť 1	Možnosť 2	Poznámka
001-2	187481-6	HOUSING SET		1				
D10		INC. 4,5,46,48						
002	861931-6	BTS130 NAME PLATE		1				
003	266130-9	TAPPING SCREW BIND PT 3X16		9				
004	423352-6	SPONGE SHEET B		1				
005	423351-8	SPONGE SHEET A		1				
006	419041-9	F/R CHANGE LEVER		1				
007-1	650652-3	SWITCH TG553FSB-1B		1				
008	652045-0	+PAN HEAD SCREW M3.5X5		2				
009-1	643866-1	TERMINAL		1				
010	231965-7	RING SPRING 10		1				
011	267143-3	FLAT WASHER 11		1				
012	233005-7	COMPRESSION SPRING 13		1				
013	324615-2	BIT SLEEVE		1				
014-1	424197-5	BUMPER		1				
015	419168-5	UNIT CASE COVER		1				
016	154740-3	UNIT CASE COMPLETE		1				
017	211136-2	BALL BEARING 6801LLB		1				
018	216019-1	STEEL BALL 3		2				
019	154847-5	OIL UNIT COMPLETE		1				
020	267721-9	WAVE WASHER 15		1				
021	345636-1	LOCK WASHER		1				
022	317963-6	BEARING BOX B		1				
023	211233-4	BALL BEARING 6802LLB		1				
024	213508-7	O RING 38		1				
025	253147-1	FLAT WASHER 15		1				
026	226336-1	SPUR GEAR 22		2	*			
026-1	227362-3	SPUR GEAR 22	<	2				
027	324600-5	CARRIER		1				
028	256253-1	PIN 5		2				
029	313126-2	INTERNAL GEAR CASE		1				
030	266034-5	TAPPING SCREW CT 4X16		2				
031	253052-2	FLAT WASHER 12		1				
032	211136-2	BALL BEARING 6801LLB		1				
033	213373-4	O RING 22		1				
034	154881-5	BEARING BOX A COMPLETE		1				
D10		INC. 32						
035	911506-2	PAN HEAD SCREW M4X8		4				
036	961054-1	RETAINING RING S-14		1				
037	267721-9	WAVE WASHER 15		1				
038	240086-4	FAN 46		1				
039	619168-7	ARMATURE		1				
040	638396-5	YOKE UNIT		1				
041-2	194427-5	CARBON BRUSH SET CB-440		1				

Please order the parts with part number.

Print Date 7/10/2021

Model No.BTS130 CORDLESS OIL-IMPULSE DRIVER

Položka	Objednávacie číslo	Popis	Zmena	ks	New/Old	Možnosť 1	Možnosť 2	Poznámka
042-1	638857-5	BRUSH HOLDER COMPLETE		1				
C10	231696-8	TORSION SPRING R		1				
C20	231697-6	TORSION SPRING L		1				
043	263032-0	RUBBER PIN 4		2				
044	418981-8	REAR COVER		1				
045	266130-9	TAPPING SCREW BIND PT 3X16		2				
046	423352-6	SPONGE SHEET B		1				
047	631631-0	LIGHT CIRCUIT		1				
048-2	187481-6	HOUSING SET		1				
D10		INC. 1,4,5,46						
050-1	324705-1	HOOK		1	*			
050-2	346317-0	HOOK	O	1				
051	251314-2	+ SCREW M4X12		1				
A01-1A	***DC18RC	DC18RC FAST CHARGER		1				
A02-AA	197616-1	BATTERY BL1430B SET	O	2				
A02-7A	194065-3	BATTERY BL1430 SET		2	*			
A02-8A	194065-3	BATTERY BL1430 SET	O	2	*			
A02-9A	197616-1	BATTERY BL1430B SET	<	2	*			
A03	821550-0	CONNECTOR PLASTIC CASE (TYPE2)		1	*			
C10	453974-8	LATCH		4	*			
A03-1	821550-0	CONNECTOR PLASTIC CASE (TYPE2)	<	1				
C10	453974-8	LATCH		4				
A04	837670-0	INNER TRAY		1				
A05A	450128-8	BATTERY COVER		1				
A06A	800S06-0	BTS130RFJ INDICATION LABEL		1				
A06B	800S08-6	BTS130ZJ INDICATION LABEL		1				
A07A	800S07-8	BTS130RFJ PLASTIC CASE LABEL		2				
A07B	800S09-4	BTS130ZJ PLASTIC CASE LABEL		2				

Please order the parts with part number.

Print Date 7/10/2021