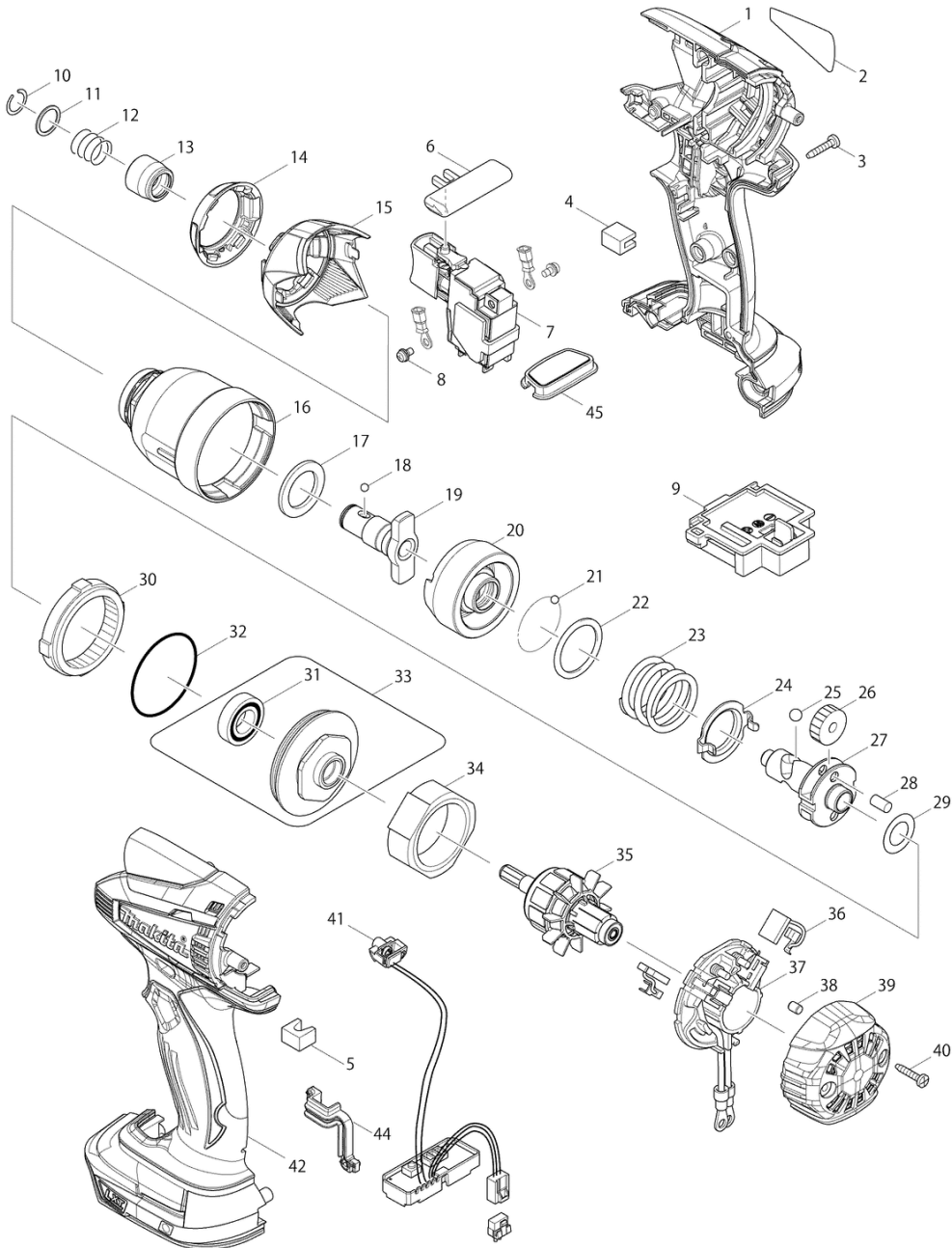




**Makita Service Information / Model: BTD134**





## Makita Werkzeug Ges.m.b.H.

Airportstr. 4, 2401 Fischamend

Tel: 02232 / 777 00

Fax: 02232 / 777 00 - 40

Mail: verkauf@makita.at

Web: www.makita.at

### Makita Service Information / Model: BT134

| POS  | Bestell-Nr. | Artikelbeschreibung                | Stk. | Stk.Preis |
|------|-------------|------------------------------------|------|-----------|
| 1    | 187114-3    | HOUSING SET                        | 1    | N/A       |
| 1    |             | *** INC. 42                        |      | N/A       |
| 2    | 896205-6    | NAME PLATE BT134                   | 1    | N/A       |
| 3    | 266429-2    | SKRUTKA 3X16MM                     | 8    | N/A       |
| 4    | 423423-9    | SPONGE B                           | 1    | N/A       |
| 5    | 423422-1    | SPONGE A                           | 1    | N/A       |
| 6    | 419041-9    | PREPÍNAČ R/L                       | 1    | N/A       |
| 7    | 650241-4    | SWITCH                             | 1    | N/A       |
| 7.2  | 650722-8    | SCHALTER BT146                     | 1    | N/A       |
| 8    | 652045-0    | SKRUTKA M3.5X5 BTP130              | 2    | N/A       |
| 9    | 643854-8    | TERMINAL                           | 1    | N/A       |
| 10   | 231951-8    | PODLOŽKA PRUŽNÁ 11                 | 1    | N/A       |
| 11   | 267085-1    | PODLOŽKA 12                        | 1    | N/A       |
| 12   | 233005-7    | PRUŽINA PRÍTLAČNÁ 13               | 1    | N/A       |
| 13   | 326072-0    | BIT SLEEVE                         | 1    | N/A       |
| 14   | 424429-0    | BUMPER                             | 1    | N/A       |
| 15   | 452837-5    | Hammer Case Cover                  | 1    | N/A       |
| 16   | 140946-9    | Hammer Case Complete               | 1    | N/A       |
| 17   | 261151-6    | NYLON WASHER 19                    | 1    | N/A       |
| 18   | 216001-0    | GULKA OCELOVÁ 3,5                  | 2    | N/A       |
| 18.2 | 216040-0    | STEEL BALL 3.5                     | 2    | N/A       |
| 19   | 326071-2    | ANVIL M                            | 1    | N/A       |
| 20   | 326054-2    | HAMMER                             | 1    | N/A       |
| 21   | 216001-0    | GULKA OCELOVÁ 3,5                  | 24   | N/A       |
| 21.2 | 216040-0    | STEEL BALL 3.5                     | 24   | N/A       |
| 22   | 267175-0    | PODLOŽKA 24 6914/16/18/6990D       | 1    | N/A       |
| 23   | 233430-2    | PRUŽINA PRÍTLAČNÁ 24 BT130/140     | 1    | N/A       |
| 24   | 346466-3    | PLATNIČKA BT146                    | 1    | N/A       |
| 25   | 216011-7    | GULKA OCELOVÁ 5,6                  | 2    | N/A       |
| 25.2 | 216041-8    | STEEL BALL 5.6                     | 2    | N/A       |
| 26   | 227233-4    | KOLESO OZUBENÉ 22 BTW250           | 2    | N/A       |
| 27   | 326066-5    | SPINDLE                            | 1    | N/A       |
| 28   | 256253-1    | KOLÍK 5                            | 2    | N/A       |
| 29   | 253362-7    | THIN WASHER 12                     | 1    | N/A       |
| 30   | 227150-8    | KOLESO OZUBENÉ 51 BTW 130          | 1    | N/A       |
| 31   | 211140-1    | LOŽISKO GULIČKOVÉ 6901LLB 211140-1 | 1    | N/A       |
| 32   | 213507-9    | O-KRÚŽOK 40                        | 1    | N/A       |
| 33   | 158145-9    | KRYT LOŽISKA BTW                   | 1    | N/A       |
| 33   |             | *** INC. 31                        |      | N/A       |
| 34   | 638396-5    | MAGNETICKÉ PUZDRO                  | 1    | N/A       |



## Makita Werkzeug Ges.m.b.H.

Airportstr. 4, 2401 Fischamend

Tel: 02232 / 777 00

Fax: 02232 / 777 00 - 40

Mail: verkauf@makita.at

Web: www.makita.at

### Makita Service Information / Model: BTD134

| POS    | Bestell-Nr. | Artikelbeschreibung            | Stk. | Stk.Preis |
|--------|-------------|--------------------------------|------|-----------|
| 35     | 619244-7    | KOTVA ÚPLNÁ BTD130F            | 1    | N/A       |
| 35.2   | 619370-2    | ANKER BTD130F                  | 1    | N/A       |
| 36     | 194427-5    | UHLÍKY CB-440                  | 1    | N/A       |
| 37     | 638895-7    | BRUSH HOLDER COMPLETE          | 1    | N/A       |
| 38     | 263032-0    | KOLÍK GUMENÝ                   | 2    | N/A       |
| 39     | 452832-5    | REAR COVER                     | 1    | N/A       |
| 40     | 266429-2    | SKRUTKA 3X16MM                 | 2    | N/A       |
| 41     | 620051-3    | Light circuit                  | 1    | N/A       |
| 42     | 187114-3    | HOUSING SET                    | 1    | N/A       |
| 42     |             | *** INC. 1                     |      | N/A       |
| 44     | 424430-5    | Seal                           | 1    | N/A       |
| 45     | 140963-9    | Switch Plate complete          | 1    | N/A       |
| 1001   | 266622-8    | + TRUSS HEAD SCREW M4X12       | 1    | N/A       |
| 1002   | 346449-3    | HOOK                           | 1    | N/A       |
| 1002   | 346317-0    | HOOK                           | 1    | N/A       |
| 1003   | 450128-8    | BATTERY COVER                  | 1    | N/A       |
| 1004   | ***DC18RC   | DC18RC FAST CHARGER            | 1    | N/A       |
| 1005   | 194065-3    | BATTERY BL1430 SET             | 2    | N/A       |
| 1005.2 | 194065-3    | BATTERY BL1430 SET             | 2    | N/A       |
| 1006   | 824979-9    | PLASTIC CARRYING CASE          | 1    | N/A       |
| 1006   | 821550-0    | CONNECTOR PLASTIC CASE (TYPE2) | 1    | N/A       |
| 1006.2 | 821550-0    | CONNECTOR PLASTIC CASE (TYPE2) | 1    | N/A       |
| 1007   | 893948-1    | BTD134RFE PLASTIC CASE LABEL   | 2    | N/A       |
| 1007   | 837670-0    | INNER TRAY                     | 1    | N/A       |
| 1008   | 800P88-4    | BTD134RFJ INDICATION LABEL     | 1    | N/A       |
| 1008   | 800P92-3    | BTD134ZJ INDICATION LABEL      | 1    | N/A       |
| 1009   | 800P89-2    | BTD134RFJ PLASTIC CASE LABEL   | 2    | N/A       |
| 1009   | 800P93-1    | BTD134ZJ PLASTIC CASE LABEL    | 2    | N/A       |