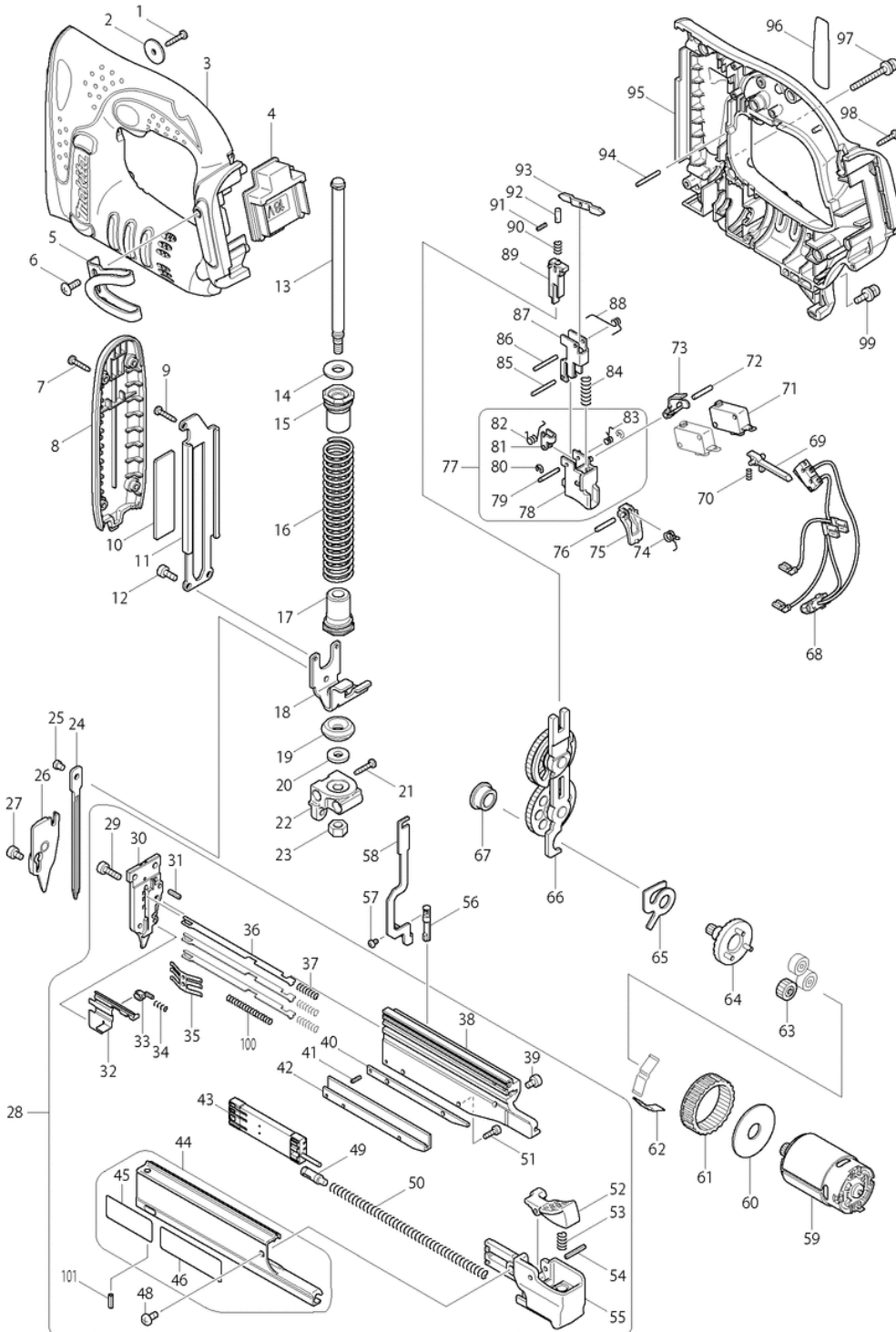




Makita Service Information / Model: BPT351





Makita Werkzeug Ges.m.b.H.

Airportstr. 4, 2401 Fischamend

Tel: 02232 / 777 00

Fax: 02232 / 777 00 - 40

Mail: verkauf@makita.at

Web: www.makita.at

Makita Service Information / Model: BPT351

POS	Bestell-Nr.	Artikelbeschreibung	Stk.	Stk.Preis
1	266130-9	SKRUTKA SAMOREZNÁ BIND3X16	1	N/A
2	267071-2	PODLOŽKA 4 BO5000	1	N/A
3	187098-5	HOUSING SET	1	N/A
3		*** INC. 95		N/A
4	643843-3	TERMINAL	1	N/A
5	324705-1	HÁČIK NA ZAVESENIE	1	N/A
5	346317-0	HOOK	1	N/A
5.2	346317-0	HOOK	1	N/A
6	251314-2	SKRUTKA M4x12 LS0810/1013	1	N/A
7	266130-9	SKRUTKA SAMOREZNÁ BIND3X16	4	N/A
8	419450-2	FRONT COVER	1	N/A
9	266130-9	SKRUTKA SAMOREZNÁ BIND3X16	1	N/A
10	345704-0	UPPER PLATE	1	N/A
11	345703-2	RAIL	1	N/A
12	922112-8	IMBUSOVA SKRUTKA 4x10	2	N/A
13	324683-5	GUIDE BOLT	1	N/A
14	253762-1	FLAT WASHER 8	1	N/A
15	421962-3	SPRING HOLDER	1	N/A
16	233472-6	COMPRESSION SRING 17 BPT350	1	N/A
17	421962-3	SPRING HOLDER	1	N/A
18	345701-6	HAMMER	1	N/A
19	421956-8	CUSHION	1	N/A
20	253804-1	PODLOŽKA 6 3901	1	N/A
21	266130-9	SKRUTKA SAMOREZNÁ BIND3X16	1	N/A
22	318025-3	HOLDER	1	N/A
23	931302-2	SESTRANNA MATICA M6	1	N/A
24	345702-4	DRIVER	1	N/A
25	268157-5	PIN 4	1	N/A
26	168430-2	Driver Guide Cover Set	1	N/A
27	922102-1	HEX. SOCKET HEAD BOLT M4	2	N/A
28	135372-5	MAGAZINE	1	N/A
28		*** INC. 29-44,48-55,100,101		N/A
29	922122-5	Hex. socket head bolt M4x14	1	N/A
30	310173-4	DRIVER GUIDE	1	N/A
31	951054-9	KOLÍK PRUŽNÝ 3-10	2	N/A
32	345699-7	PUSHER	1	N/A
33	310176-8	STOPPER	1	N/A
34	233018-8	PRITLACNA PRUZINA 3 JR3000VT	1	N/A
35	232229-2	LEAF SPRING	1	N/A
36	346239-4	Nail stopper BPT350	3	N/A



Makita Werkzeug Ges.m.b.H.

Airportstr. 4, 2401 Fischamend

Tel: 02232 / 777 00

Fax: 02232 / 777 00 - 40

Mail: verkauf@makita.at

Web: www.makita.at

Makita Service Information / Model: BPT351

POS	Bestell-Nr.	Artikelbeschreibung	Stk.	Stk.Preis
37	233476-8	Compression Spring 4	3	N/A
38	318024-5	MAGAZINE BPT350	1	N/A
39	922102-1	HEX. SOCKET HEAD BOLT M4	1	N/A
40	345696-3	SPACER	1	N/A
41	951001-0	SPRING PIN 2-8	1	N/A
42	318023-7	RAIL BPT350	1	N/A
43	452877-3	Nail Guide Holder	1	N/A
44	140412-6	Upper Rail Complete	1	N/A
44		*** INC. 45		N/A
45	813728-9	Safety instruction label	1	N/A
48	911113-1	SKRUTKA M4x10	1	N/A
49	419443-9	Shoulder Pin 5-7	1	N/A
50	233470-0	COMPRESSION SPRING 5	1	N/A
51	266177-3	SKRUTKA IMBUSOVÁ M3x10	2	N/A
52	419446-3	Lever	1	N/A
53	233117-6	PRUŽINA PRITLAČNÁ 6 GA7010C/9010C/S	1	N/A
54	951066-2	KOLÍK PRUŽNÝ 3-18 951066-2	1	N/A
55	419444-7	Slide door cap	1	N/A
56	268158-3	Pin 5	1	N/A
57	265040-7	SKRUTKA M3x4 9032	1	N/A
58	345705-8	LOCK ARM	1	N/A
59	629910-8	DC Motor	1	N/A
60	267053-4	FLAT WASHER 12	1	N/A
61	227166-3	INTERNAL GEAR 69	1	N/A
62	232230-7	LEAF SPRING	2	N/A
63	221961-3	SPUR GEAR 27	3	N/A
64	154973-0	Spur Gear 7 Complete	1	N/A
65	345773-1	Anti back plate	1	N/A
66	154972-2	SPUR GEAR 55 compl.	1	N/A
67	214060-8	PLANE BEARING 10	1	N/A
68	620073-3	LED CIRCUIT BPT350	1	N/A
69	419452-8	Light switch arm BPT350	1	N/A
70	233032-4	COMPRESSION SPRING 2	1	N/A
71	651891-8	VYPINAC V-15-3A6	2	N/A
72	256299-7	PIN 3	1	N/A
73	419453-6	LINK PLATE	1	N/A
74	231693-4	TORSION SPRING 4	1	N/A
75	419454-4	SAFETY TRIGGER	1	N/A
76	256299-7	PIN 3	1	N/A
77	188168-3	TRIGGER SET	1	N/A



Makita Werkzeug Ges.m.b.H.

Airportstr. 4, 2401 Fischamend

Tel: 02232 / 777 00

Fax: 02232 / 777 00 - 40

Mail: verkauf@makita.at

Web: www.makita.at

Makita Service Information / Model: BPT351

POS	Bestell-Nr.	Artikelbeschreibung	Stk.	Stk.Preis
77		*** INC. 78-83		N/A
78	419451-0	TRIGGER	1	N/A
79	256771-9	PIN 2.5	1	N/A
80	257926-9	STOP RING E-2.0	2	N/A
81	345707-4	SWING ARM	1	N/A
82	231694-2	TORSION SPRING 3	1	N/A
83	231695-0	TORSION SPRING 3	1	N/A
84	233360-7	COMPRESSION SPRING 4	1	N/A
85	256176-3	KOLÍK 2,5	1	N/A
86	256176-3	KOLÍK 2,5	1	N/A
87	345706-6	Guide Plate	1	N/A
88	231692-6	TORSION SPRING 4	1	N/A
89	168489-9	CAM BLOCK	1	N/A
90	233188-3	PRUŽINA PRÍTLAČNÁ2,4	1	N/A
91	951001-0	SPRING PIN 2-8	1	N/A
92	324923-1	PUSH PIN BPT350	1	N/A
93	345708-2	Switch arm	1	N/A
94	256176-3	KOLÍK 2,5	1	N/A
95	187098-5	HOUSING SET	1	N/A
95		*** INC. 3		N/A
96	896140-8	NAME PLATE BPT351	1	N/A
97	911163-6	Pan Head Screw M4x35	1	N/A
98	266130-9	SKRUTKA SAMOREZNÁ BIND3X16	8	N/A
99	911123-8	SKRUTKA M4x14	2	N/A
100	233459-8	PRUŽINA PRÍTLAČNÁ 3	1	N/A
101	951054-9	KOLÍK PRUŽNÝ 3-10	1	N/A
1001	195246-2	SAFETY GOGGLE	1	N/A
1002	419525-7	NOSE ADAPTER	1	N/A
1003	783201-2	HEX. WRENCH 3	1	N/A
1004	141134-1	PLASTIC CARRYING CASE COMPLETE	1	N/A
1004	821550-0	CONNECTOR PLASTIC CASE (TYPE2)	1	N/A
1004.2	141932-3	PLASTIC CASE COMPLETE	1	N/A
1004.2	821550-0	CONNECTOR PLASTIC CASE (TYPE2)	1	N/A
1005	893793-4	Plastic case Label BTP351	1	N/A
1005	837640-9	INNER TRAY	1	N/A
1006	***DC18RA	DC18RA FAST CHARGER	1	N/A
1006	***DC18RC	DC18RC FAST CHARGER	1	N/A
1006	801F42-1	BPT351ZJ INDICATION LABEL	1	N/A
1006.2	***DC18RC	DC18RC FAST CHARGER	1	N/A
1007	194204-5	BATTERY BL1830 SET	2	N/A



Makita Werkzeug Ges.m.b.H.

Airportstr. 4, 2401 Fischamend

Tel: 02232 / 777 00

Fax: 02232 / 777 00 - 40

Mail: verkauf@makita.at

Web: www.makita.at

Makita Service Information / Model: BPT351

POS	Bestell-Nr.	Artikelbeschreibung	Stk.	Stk.Preis
1007	801F43-9	BPT351ZJ PLASTIC CASE LABEL	2	N/A
1007.2	194204-5	BATTERY BL1830 SET	2	N/A
1008	450128-8	BATTERY COVER	1	N/A
1009	801F40-5	BPT351RFJ INDICATION LABEL	1	N/A
1010	801F41-3	BPT351RFJ PLASTIC CASE LABEL	2	N/A