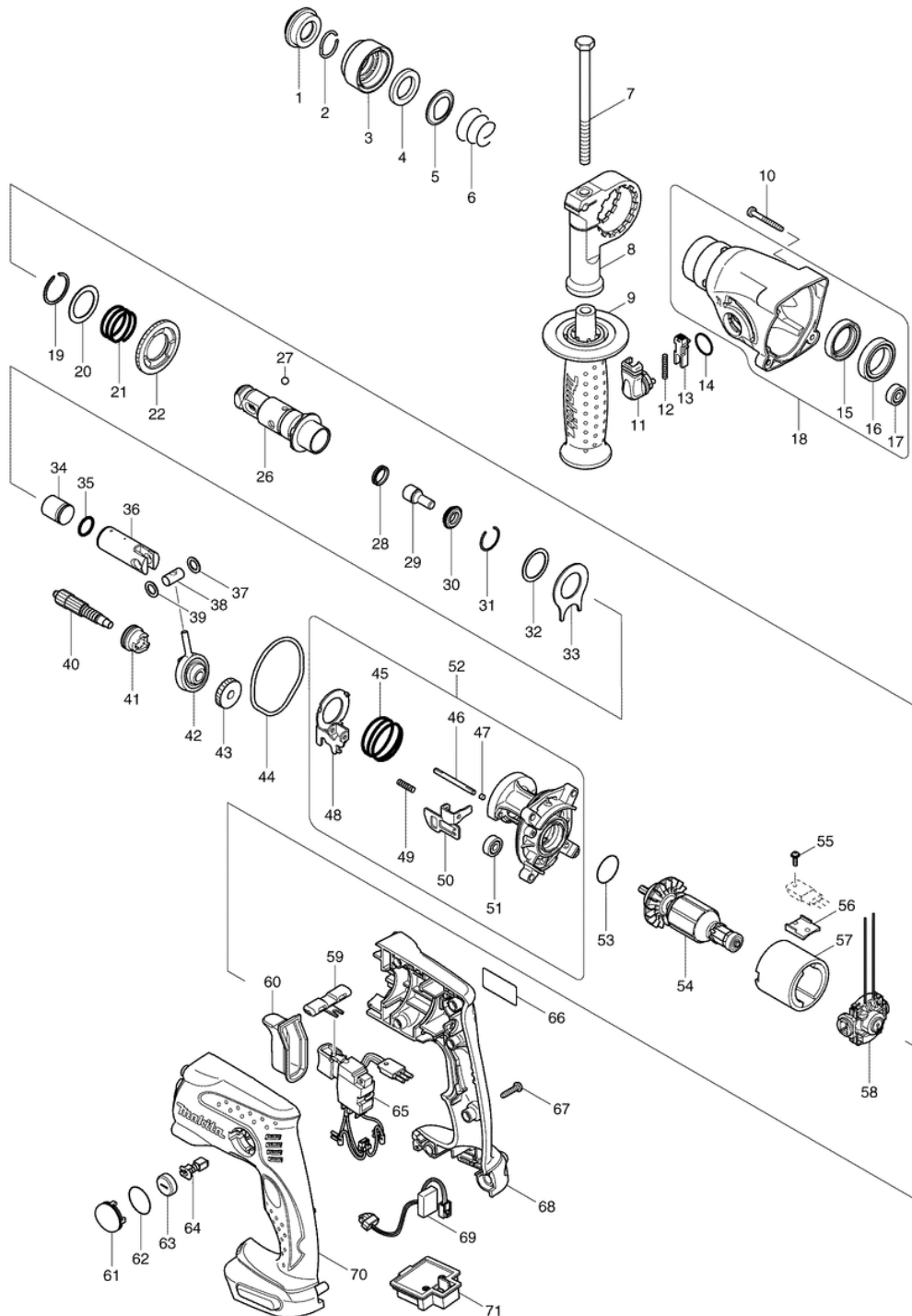




Makita Service Information / Model: BHR162





Makita Werkzeug Ges.m.b.H.

Airportstr. 4, 2401 Fischamend

Tel: 02232 / 777 00

Fax: 02232 / 777 00 - 40

Mail: verkauf@makita.at

Web: www.makita.at

Makita Service Information / Model: BHR162

POS	Bestell-Nr.	Artikelbeschreibung	Stk.	Stk.Preis
1	286263-4	VIEČKO 35 HR2440/2020/2450/F	1	N/A
2	233940-9	KRÚŽOK PRUŽNÝ 19	1	N/A
3	419220-9	KRYT DRŽIAK.NÁSTROJA	1	N/A
4	257241-1	KRÚŽOK 21	1	N/A
5	345187-4	PODLOŽKA	1	N/A
6	233916-6	PRUŽINA KONICKÁ 21-29 HR2450	1	N/A
7	921923-8	6-HRANNÁ SKRUTKA M8x120 HR2440	1	N/A
8	417911-6	DRŽIAK RÚČKY HR1830	1	N/A
9	154842-5	GRIP 36 COMPLETE	1	N/A
10	266053-1	SKRUTKA SAMOREZNÁ 4x35	4	N/A
11	162242-5	PREPÍNAČ HR1830	1	N/A
12	233459-8	PRUŽINA PRÍTLAČNÁ 3	1	N/A
13	419192-8	PREPÍNAČ HR1830	1	N/A
14	213278-8	O-KRÚŽOK 17	1	N/A
15	213956-0	SIMMEROV KRÚŽOK 25 HR2440/F	1	N/A
16	211375-4	LOŽISKO GULIČKOVÉ 6805LLB	1	N/A
17	211012-0	LOŽISKO GULIČKOVÉ 606ZZ	1	N/A
18	154840-9	KRYT PREVODOVKY KPL. HR1830	1	N/A
18		*** INC. 15-17		N/A
19	961135-1	POISTNÝ KRÚŽOK HR1830	1	N/A
20	267304-5	PODLOŽKA 25	1	N/A
21	233457-2	PRUŽINA PRÍTLAČNÁ 25 HR1830	1	N/A
22	331707-0	KOLESO OZUBENÉ 46	1	N/A
26	154843-3	DRŽIAK NÁSTROJA KPL.HR1830	1	N/A
27	216022-2	GULKA OCEĽOVÁ 7,0	1	N/A
28	213183-9	X-KRÚŽOK 13 HR1830	1	N/A
29	324611-0	UDERNIK HR1830	1	N/A
30	257275-4	KRÚŽOK 11	1	N/A
31	233942-5	KRÚŽOK PRUŽNÝ 22	1	N/A
32	267175-0	PODLOŽKA 24 6914/16/18/6990D	1	N/A
33	345681-6	PLATNIČKA HR1830	1	N/A
34	324613-6	UDERNIK HR1830	1	N/A
35	213182-1	O-KRÚŽOK 14 HR1830	1	N/A
36	331708-8	PIEST HR1830	1	N/A
37	267130-2	PODLOŽKA 9	1	N/A
38	324612-8	VALČEK HR1830	1	N/A
39	267130-2	PODLOŽKA 9	1	N/A
40	227152-4	KOLESO OZUBENÉ OSKA 10	1	N/A
41	331706-2	SPOJKA HR1830	1	N/A
42	219019-0	LOŽISKO VÝKYVNÉ 9 HR1830	1	N/A



Makita Werkzeug Ges.m.b.H.

Airportstr. 4, 2401 Fischamend

Tel: 02232 / 777 00

Fax: 02232 / 777 00 - 40

Mail: verkauf@makita.at

Web: www.makita.at

Makita Service Information / Model: BHR162

POS	Bestell-Nr.	Artikelbeschreibung	Stk.	Stk.Preis
43	226623-8	HELICAL GEAR 22	1	N/A
44	423346-1	O-KRÚŽOK HR1830	1	N/A
45	233458-0	COMPRESSION SPRING 32	1	N/A
46	268147-8	PIN 4	1	N/A
47	443123-5	FELT 4x3	1	N/A
48	345645-0	DOSKA PREPINACIA	1	N/A
49	233460-3	PRUŽINA PRÍTLAČNÁ HR1830	1	N/A
50	345654-9	PLATNIČKA HR1830	1	N/A
51	211012-0	LOŽISKO GULIČKOVÉ 606ZZ	1	N/A
52	154841-7	INNER HOUSING COMPLETE	1	N/A
52		*** INC. 45-51		N/A
53	213953-6	O-KRÚŽOK 24 HR2430	1	N/A
54	619182-3	ARMATURE	1	N/A
55	266282-6	SKRUTKA ST3x10	1	N/A
55	911011-9	PAN HEAD SCREW M3X10	1	N/A
55.2	911011-9	PAN HEAD SCREW M3X10	1	N/A
56	689136-4	PLATNIČKA STATORA	1	N/A
57	638446-6	YOKE UNIT	1	N/A
58	638445-8	DRŽIAK UHLÍKOV BHR	1	N/A
58	632A30-5	ENDBELL COMPLETE	1	N/A
58.2	632A30-5	ENDBELL COMPLETE	1	N/A
59	419457-8	F/R Change Lever	1	N/A
60	421957-6	SWITCH COVER	1	N/A
61	419456-0	HOLDER CAP COVER	2	N/A
62	213953-6	O-KRÚŽOK 24 HR2430	2	N/A
63	643929-3	VIEČKO	2	N/A
64	191971-3	UHLÍKY CB-430, 438 (CB-420)	1	N/A
65	650578-9	VYPÍNAČ BHR162/BHR202RFE	1	N/A
65	638878-7	SWITCH UNIT	1	N/A
65.2	638878-7	SWITCH UNIT	1	N/A
66	862842-8	NAME PLATE BHR162	1	N/A
67	265995-6	SKRUTKA SAMOREZNÁ 4x18	7	N/A
68	188098-8	HOUSING SET	1	N/A
68	187379-7	HOUSING SET	1	N/A
68		*** INC. 70		N/A
68		*** INC. 70		N/A
68.2	188233-8	HOUSING SET new	1	N/A
68.2		*** INC. 70		N/A
68.3	187379-7	HOUSING SET	1	N/A
68.3		*** INC. 70		N/A



Makita Werkzeug Ges.m.b.H.

Airportstr. 4, 2401 Fischamend

Tel: 02232 / 777 00

Fax: 02232 / 777 00 - 40

Mail: verkauf@makita.at

Web: www.makita.at

Makita Service Information / Model: BHR162

POS	Bestell-Nr.	Artikelbeschreibung	Stk.	Stk.Preis
69	631711-2	Light Circuit	1	N/A
70	188098-8	HOUSING SET	1	N/A
70	187379-7	HOUSING SET	1	N/A
70		*** INC. 68		N/A
70		*** INC. 68		N/A
70.2	188233-8	HOUSING SET new	1	N/A
70.2		*** INC. 68		N/A
70.3	187379-7	HOUSING SET	1	N/A
70.3		*** INC. 68		N/A
71	643811-6	KONTAKT NA BATERIU 14,4V	1	N/A
71	643867-9	TERMINAL BST110 BDA340	1	N/A
71.2	643867-9	TERMINAL BST110 BDA340	1	N/A
1001	415486-9	DORAZ HLBKOVÝ 415486-9	1	N/A
1002	***DC18RA	DC18RA FAST CHARGER	1	N/A
1002	***DC18RC	DC18RC FAST CHARGER	1	N/A
1002.2	***DC18RC	DC18RC FAST CHARGER	1	N/A
1003	194065-3	BATTERY BL1430 SET	2	N/A
1003	194065-3	BATTERY BL1430 SET	2	N/A
1003.2	194065-3	BATTERY BL1430 SET	2	N/A
1003.2	194065-3	BATTERY BL1430 SET	2	N/A
1003.3	194065-3	BATTERY BL1430 SET	2	N/A
1003.4	194065-3	BATTERY BL1430 SET	2	N/A
1003.5	194065-3	BATTERY BL1430 SET	2	N/A
1003.6	194065-3	BATTERY BL1430 SET	2	N/A
1003.7	194065-3	BATTERY BL1430 SET	2	N/A
1004	824765-8	PLASTIC CARRYING CASE	1	N/A
1004	821551-8	CONNECTOR PLASTIC CASE (TYPE3)	1	N/A
1004.2	824765-8	PLASTIC CARRYING CASE	1	N/A
1004.2	821551-8	CONNECTOR PLASTIC CASE (TYPE3)	1	N/A
1004.3	824815-9	PLASTIC CARRYING CASE	1	N/A
1004.4	824863-8	PLASTIC CARRYING CASE	1	N/A
1004.5	141074-3	PLASTIC CARRYING CASE COMPLETE	1	N/A
1005	804775-1	Plastic case Label BHR162RFE	1	N/A
1005	837633-6	INNER TRAY	1	N/A
1005.2	838109-6	KOFFEREINSATZ BHR162, DHR162	1	N/A
1006	450128-8	BATTERY COVER	1	N/A
1006	801B10-0	BHR162ZJ INDICATION LABEL	1	N/A
1007	801B08-7	BHR162RFJ INDICATION LABEL	1	N/A
1007	801B11-8	BHR162ZJ PLASTIC CASE LABEL	2	N/A
1008	801B09-5	BHR162RFJ PLASTIC CASE LABEL	2	N/A



Makita Werkzeug Ges.m.b.H.

Airportstr. 4, 2401 Fischamend

Tel: 02232 / 777 00

Fax: 02232 / 777 00 - 40

Mail: verkauf@makita.at

Web: www.makita.at

Makita Service Information / Model: BHR162

POS	Bestell-Nr.	Artikelbeschreibung	Stk.	Stk.Preis
5001	689098 - 6	Heat Sink	1	N/A
5002	654645 - 2	CONDUCTIVE GASKET	1	N/A