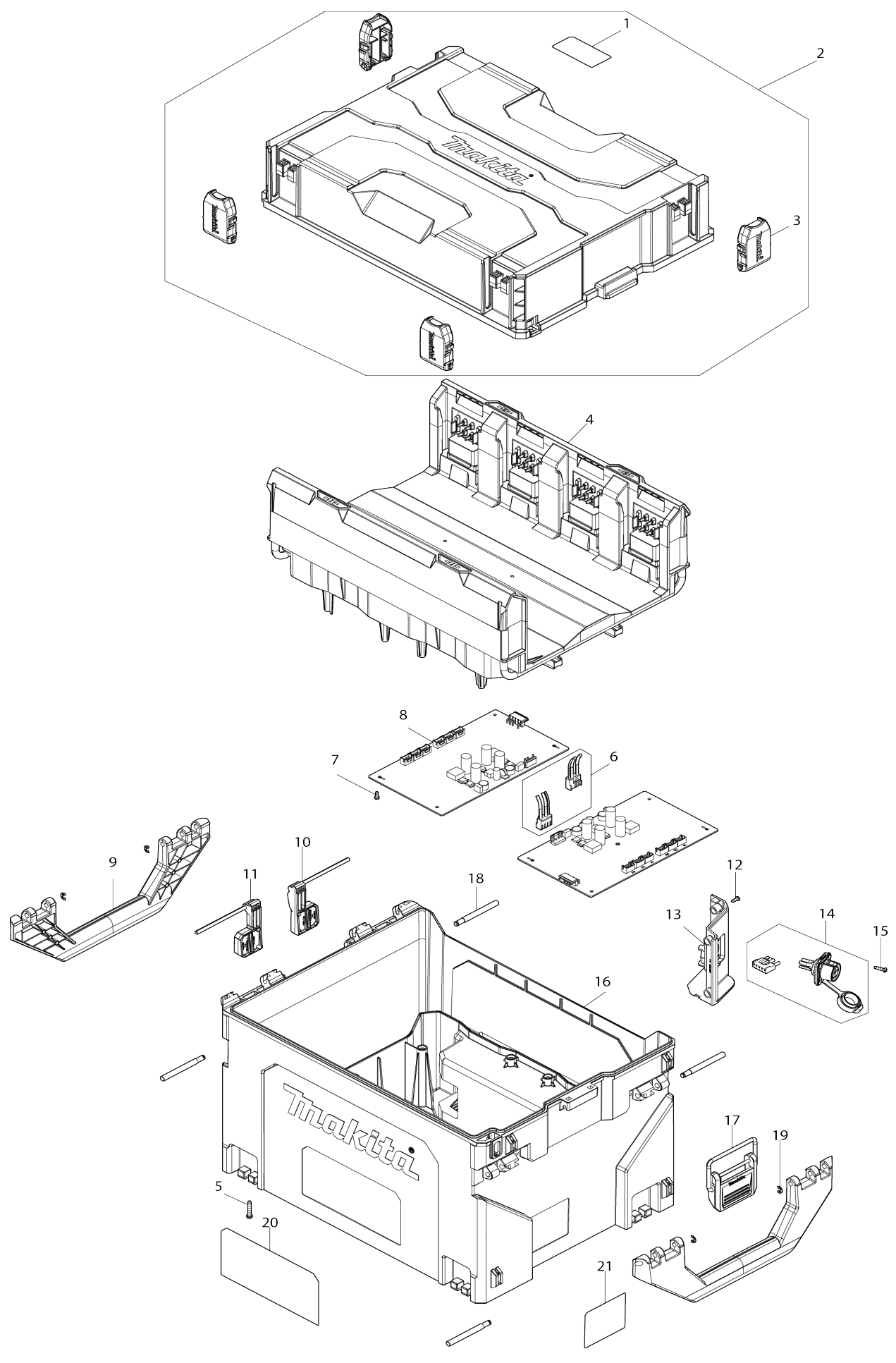
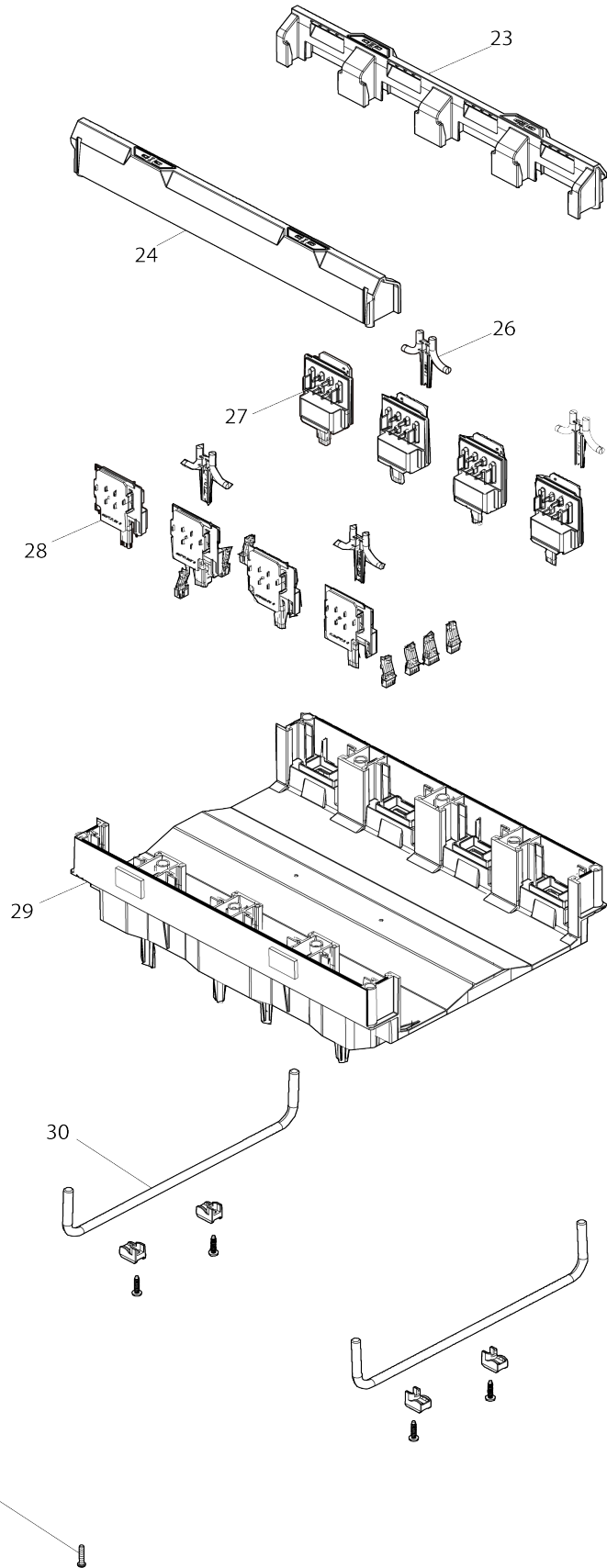


Model No.BCC01 BCC01 BATTERY CHARGING CASESET



Model No.BCC01 BCC01 BATTERY CHARGING CASESET



Model No.BCC01 BCC01 BATTERY CHARGING CASESET

Item No.	Parts No.	Description	Interchangability	Q'ty	New/Old	Note1	Note2
001	8076B7-5	CAUTION LABEL		1			
002	122J39-4	CHARGER CASE TOP ASSY		1			
002		INC. 1,3					
003	413X57-0	LATCH A		4			
004	632V62-8	TRAY UNIT A		1			
005	265E02-5	TAPPING SCREW BT 4X20		9			
006	632V95-3	LEAD UNIT		1			
007	265E00-9	TAPPING SCREW 3X8		10			
008	620P82-8	CHARGING CIRCUIT		2			
009	413X52-0	HANDLE		2			
010	413X60-1	HINGE L		1			
011	413X61-9	HINGE R		1			
012	265E00-9	TAPPING SCREW 3X8		4			
013	413X59-6	CORD COVER		1			
014	632W03-0	CHARGING CONNECTOR UNIT		1			
C10	286049-6	CONNECTOR CAP		1			
015	265E01-7	TAPPING SCREW 3X12		4			
016	413X50-4	CHARGER CASE BOTTOM		1			
017	141X93-3	LATCH B COMPLETE		1			
018	327D26-4	PIN6		4			
019	259096-0	STOP RING (EXT) E-4		4			
020	8076B5-9	CHARGING CONDITION LABEL		1			
023	122J37-8	TRAY COVER2 ASSY		1			
C10	8074W3-8	LENS SEAL LABEL 2		2			
024	122J36-0	TRAY COVER1 ASSY		1			
C10	8073L6-9	LENS SEAL LABEL 1		2			
026	413X53-8	LENS		4			
027	620P79-7	TERMINAL HOUSING B		4			
028	620P78-9	TERMINAL HOUSING A		4			
029	1411S6-9	TRAY A COMPLETE		1			
C10	4131P5-3	RUBBER SHEET		4			
030	327E56-1	SHAFT C		2			
031	265E02-5	TAPPING SCREW BT 4X20		10			
A01	667234-4	POWER SUPPLY CORD A		1			
A02	630E59-9	DC4002 BATTERY CHARGER		1			
C10	TC00000120	FAN		1			

Please state Parts No. when your order.

Print Date 27. 11. 2024