



Makita Werkzeug Ges.m.b.H.

Airportstr. 4, 2401 Fischamend

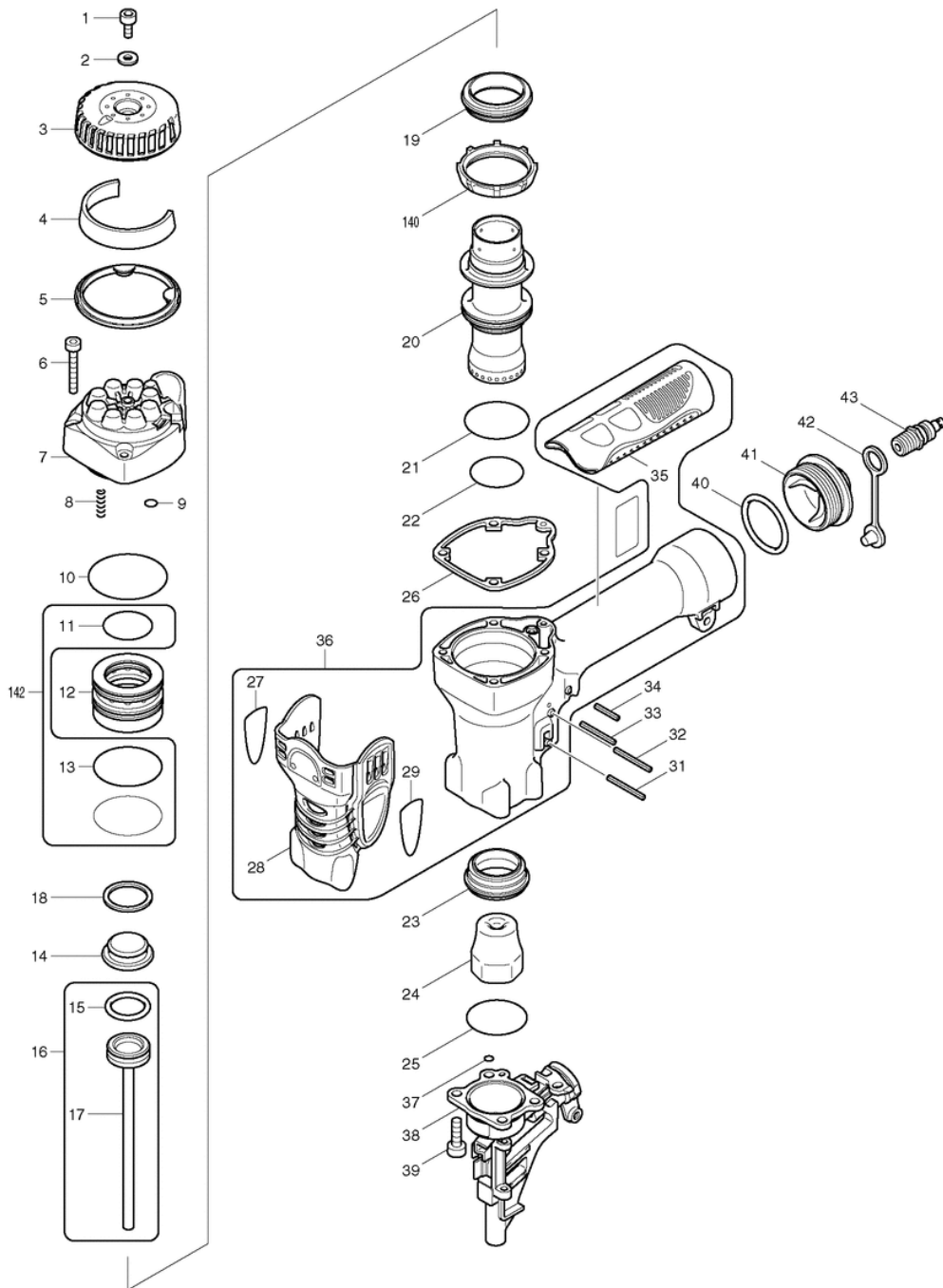
Tel: 02232 / 777 00

Fax: 02232 / 777 00 - 40

Mail: verkauf@makita.at

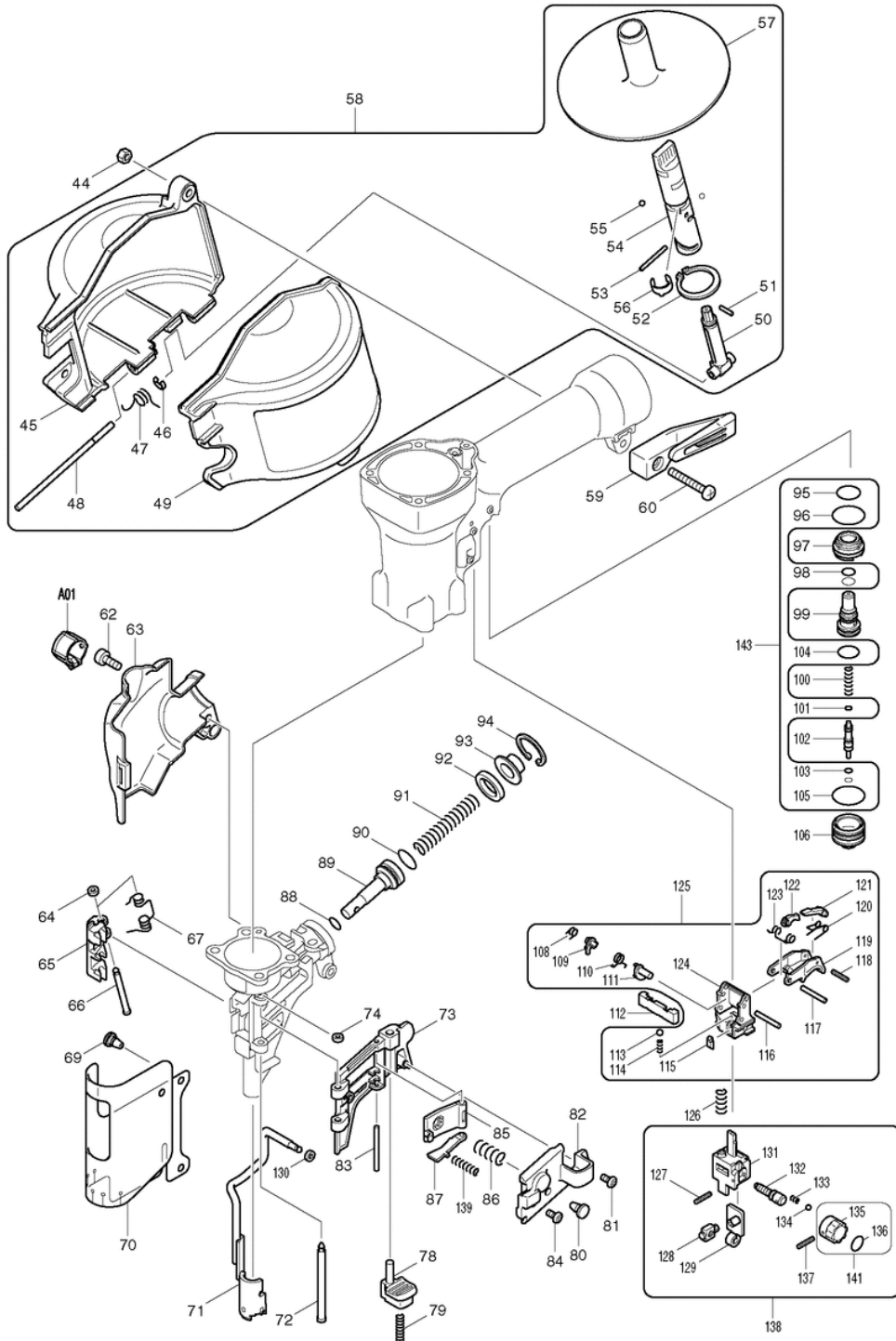
Web: www.makita.at

Makita Service Information / Model: AN620H





Makita Service Information / Model: AN620H





Makita Werkzeug Ges.m.b.H.

Airportstr. 4, 2401 Fischamend

Tel: 02232 / 777 00

Fax: 02232 / 777 00 - 40

Mail: verkauf@makita.at

Web: www.makita.at

Makita Service Information / Model: AN620H

POS	Bestell-Nr.	Artikelbeschreibung	Stk.	Stk.Preis
1	922212-4	IMBUSOVA SKRUTKA M5x12	1	N/A
2	267343-5	FLAT WASHER 5 AN711H	1	N/A
3	419734-8	EXHAUST COVER AN620H	1	N/A
3.2	453875-0	EXHAUST COVER AN620H	1	N/A
4	413103-5	Filter AN620H/610H	1	N/A
5	419735-6	SEAL COVER AN620H/610H	1	N/A
6	922257-2	HEX.SOCKET HEAD BOLT M5X35	4	N/A
7	318109-7	TOP CAP AN620H/610H	1	N/A
8	233484-9	COMPRESSION SPRING 4 AN711H	8	N/A
9	213021-5	O-KRÚŽOK 5	1	N/A
10	213604-1	O-KRÚŽOK 50 HM1200	1	N/A
11	213447-1	O RING 30 AN620H/450H/610H	1	N/A
11.2	213423-5	O-KRÚŽOK 30 2702/SG1250	1	N/A
12	419736-4	HEAD VALVE AN620H/450/610H	1	N/A
13	213558-2	O RING 42	2	N/A
14	421983-5	REAR CUSHION	1	N/A
15	213967-5	O RING 22.5	1	N/A
16	135174-9	DRIVER ASSY	1	N/A
16		*** INC. 15,17		N/A
17	168454-8	DRIVER AN620H	1	N/A
18	267342-7	FLAT WASHER 26	1	N/A
19	421981-9	Valve seat AN620H/450H/610H	1	N/A
20	331740-2	Cylinder AN620H/610H	1	N/A
21	213509-5	O RING 40	1	N/A
22	213475-6	O RING 34	1	N/A
23	324742-5	CYLINDER GUIDE AN620H/610H	1	N/A
24	421982-7	CUSHION FRONT AN620H/610H	1	N/A
25	213528-1	O RING 38	1	N/A
26	162246-7	Top cap gasket AN620H/450H	1	N/A
27	819321-7	MAKITA LABEL R	1	N/A
29	819322-5	MAKITA LABEL L	1	N/A
31	951078-5	SPRING PIN AN711H/AN620H/510H	1	N/A
32	951078-5	SPRING PIN AN711H/AN620H/510H	1	N/A
33	258029-2	SPRING PIN 3-30	1	N/A
34	951069-6	SPRING PIN 3-20	1	N/A
36	188604-9	HOUSING SET	1	N/A
36		*** INC. 27,29		N/A
37	213970-6	O RING 4	1	N/A
38	310251-0	DRIVER GUIDE AN620H	1	N/A
39	922332-4	Hex. Socket Head Bolt M6x20	4	N/A



Makita Werkzeug Ges.m.b.H.

Airportstr. 4, 2401 Fischamend

Tel: 02232 / 777 00

Fax: 02232 / 777 00 - 40

Mail: verkauf@makita.at

Web: www.makita.at

Makita Service Information / Model: AN620H

POS	Bestell-Nr.	Artikelbeschreibung	Stk.	Stk.Preis
40	213521-5	O RING 36	1	N/A
40.2	213506-1	O RING 36	1	N/A
41	318108-9	INLET CAP	1	N/A
42	286280-4	CAP 9	1	N/A
43	243105-5	One touch joint	1	N/A
44	264008-0	Hex. Nut M5-8	1	N/A
45	419737-2	MAGAZINE	1	N/A
45.2	453103-3	MAGAZINE	1	N/A
46	259042-3	STOP RING E-3	1	N/A
47	233504-9	TORSION SPRING 8	1	N/A
48	256773-5	PIN 4	1	N/A
49	158918-0	MAGAZINE CAP COMPLETE	1	N/A
50	419747-9	ADJUSTING SHAFT	1	N/A
51	268166-4	PIN 2.5 AN620H/610H	1	N/A
52	961105-0	POISTNÝ KRÚŽOK S-25	1	N/A
53	268167-2	PIN 2.5	1	N/A
54	419746-1	ADJUST SLEEVE	1	N/A
55	216001-0	GULKA OCEĽOVÁ 3,5	2	N/A
56	232233-1	LEAF SPRING	1	N/A
57	419745-3	CHANGE PLATE	1	N/A
58	135256-7	MAGAZINE ASS'Y	1	N/A
58		*** INC. 45-57		N/A
58.2	135499-1	MAGAZINE ASSY	1	N/A
58.2		*** INC. 45-57		N/A
59	419739-8	Hook	1	N/A
60	911257-7	PAN HEAD SCREW M5x35	1	N/A
60.2	911258-5	SKRUTKA M5x35	1	N/A
62	922212-4	IMBUSOVA SKRUTKA M5x12	1	N/A
63	419740-3	CONTACT ARM COVER	1	N/A
64	262120-0	URETHANE RING 6	1	N/A
65	310195-4	FEEDING CLAW	1	N/A
66	268165-6	Pin 4.5	1	N/A
67	231632-4	TORSION SPRING 6	1	N/A
69	421418-6	RUBBER PIN 9.5	1	N/A
70	413104-3	COVER	1	N/A
71	165492-1	CONTACT ARM	1	N/A
72	256772-7	PIN 4	1	N/A
73	310193-8	DOOR	1	N/A
74	262120-0	URETHANE RING 6	1	N/A
78	162247-5	LOCK LEVER AN620H/AN510H	1	N/A



Makita Werkzeug Ges.m.b.H.

Airportstr. 4, 2401 Fischamend

Tel: 02232 / 777 00

Fax: 02232 / 777 00 - 40

Mail: verkauf@makita.at

Web: www.makita.at

Makita Service Information / Model: AN620H

POS	Bestell-Nr.	Artikelbeschreibung	Stk.	Stk.Preis
79	233486-5	COMPRESSION SPRING 5 AN711H	1	N/A
80	421418-6	RUBBER PIN 9.5	1	N/A
81	266419-5	HEX. SOCKET HEAD BOLT M4x12	1	N/A
82	419741-1	DOOR COVER	1	N/A
83	268164-8	PIN 3	1	N/A
84	266419-5	HEX. SOCKET HEAD BOLT M4x12	1	N/A
85	310194-6	Nail Holder	1	N/A
86	233487-3	Compression Spring 8	1	N/A
87	345774-9	CHECK CLAW	1	N/A
88	213054-0	O-KRÚŽOK 9 5014NB	1	N/A
89	324744-1	PISTON	1	N/A
90	213154-6	O RING 14	1	N/A
91	233198-0	COMPRESSION SPRING 9	1	N/A
92	262075-9	RUBBER RING 16	1	N/A
93	344452-8	Cup Washer 5	1	N/A
94	962103-7	RETAINING RING R-24	1	N/A
95	213233-0	O RING 15	1	N/A
96	213275-4	O-KRÚŽOK 18 BFL400F	1	N/A
97	419732-2	TRIGGER VALVE GUIDE AN510H	1	N/A
98	213968-3	O RING 7	2	N/A
99	419733-0	PILOT VALVE AN610H	1	N/A
100	233485-7	COMPRESSION SPRING 4 AN510H	1	N/A
101	213034-6	O RING 3	1	N/A
101.2	213044-3	OKRUŽOK 3 AN923/943	1	N/A
102	324743-3	TRIGGER VALVE STEM	1	N/A
102.2	326189-9	TRIGGER VALVE STEM	1	N/A
103	213979-8	O RING 3	2	N/A
103.2	213640-7	O RING 3	2	N/A
104	213185-5	O RING 12.5	1	N/A
105	213275-4	O-KRÚŽOK 18 BFL400F	1	N/A
106	331741-0	TRIGGER VALVE CASE	1	N/A
108	233501-5	TORSION SPRING 5	1	N/A
109	310199-6	STOPPER PLATE	1	N/A
110	233502-3	TORSION SPRING 6	1	N/A
110.2	233576-4	TORSION SPRING 6	1	N/A
111	310310-0	LEVER	1	N/A
112	310293-4	CHANGE ROD AN711H	1	N/A
113	216024-8	GULKA OCEĽOVÁ 4	1	N/A
113.2	326144-1	LOCK PIN	1	N/A
114	233490-4	COMPRESSION SPRING 2	1	N/A



Makita Werkzeug Ges.m.b.H.

Airportstr. 4, 2401 Fischamend

Tel: 02232 / 777 00

Fax: 02232 / 777 00 - 40

Mail: verkauf@makita.at

Web: www.makita.at

Makita Service Information / Model: AN620H

POS	Bestell-Nr.	Artikelbeschreibung	Stk.	Stk.Preis
115	419743-7	SPRING COVER	1	N/A
116	268168-0	PIN 3	1	N/A
117	268168-0	PIN 3	1	N/A
118	951007-8	SPRING PIN 2-12	1	N/A
119	310294-2	TRIGGER	1	N/A
120	231699-2	TORSION SPRING 4	1	N/A
121	310196-2	TRIP LEVER	1	N/A
122	310198-8	LEVER	1	N/A
123	233503-1	TORSION SPRING 4	1	N/A
124	419844-1	TRIGGER	1	N/A
125	135231-3	TRIGGER	1	N/A
125		*** INC. 108-111,113-124		N/A
125.2	135494-1	TRIGGER	1	N/A
125.2		*** INC. 108-111,113-124		N/A
126	233489-9	COMPRESSION SPRING 6	1	N/A
127	951010-9	SPRING PIN 2-14	1	N/A
128	310201-5	Adjuster Piece	1	N/A
129	345775-7	SLIDE PLATE	1	N/A
130	262120-0	URETHANE RING 6	1	N/A
131	310234-0	UPPER YORK	1	N/A
132	324745-9	ADJUSTING SHAFT	1	N/A
133	233491-2	COMPRESSION SPRING 2	1	N/A
134	216031-1	STEEL BALL 2.3	1	N/A
137	951010-9	SPRING PIN 2-14	1	N/A
138	135232-1	ADJUSTER	1	N/A
138		*** INC. 127-129,131-134,137,141		N/A
139	233488-1	Compression spring 5	1	N/A
140	331739-7	Cylinder Stay	1	N/A
141	158747-1	Adjuster	1	N/A
142	194735-4	AIR LEAK REPAIR SET	1	N/A
142		*** INC. 11,13,143		N/A
143	194735-4	AIR LEAK REPAIR SET	1	N/A
143		*** INC. 95,96,98,101,103-105,142		N/A
144	866119-3	NAME PLATE	1	N/A
145	135598-9	TRIGGER VALVE ASS'Y	1	N/A
145		*** INC. 95-106		N/A
1001	421984-3	Nose adapter	1	N/A
1002	192517-8	SAFETY GOGGLE	1	N/A
1002.2	195246-2	SAFETY GOGGLE	1	N/A
1003	194381-3	OIL SUPPLY SET	1	N/A



Makita Werkzeug Ges.m.b.H.

Airportstr. 4, 2401 Fischamend

Tel: 02232 / 777 00

Fax: 02232 / 777 00 - 40

Mail: verkauf@makita.at

Web: www.makita.at

Makita Service Information / Model: AN620H

POS	Bestell-Nr.	Artikelbeschreibung	Stk.	Stk.Preis
1004	824490 - 1	PLASTIC CARRYING CASE	1	N/A