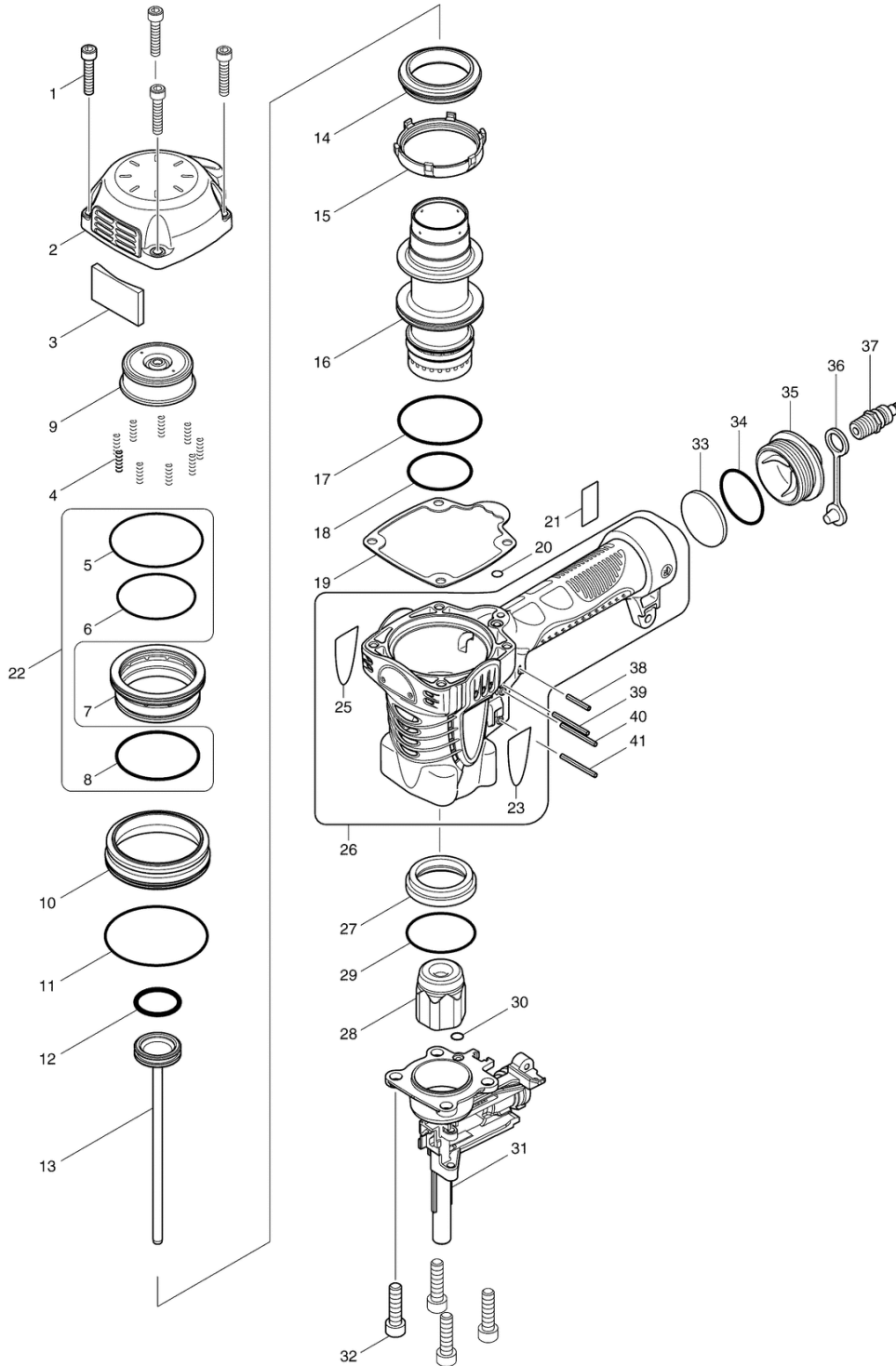


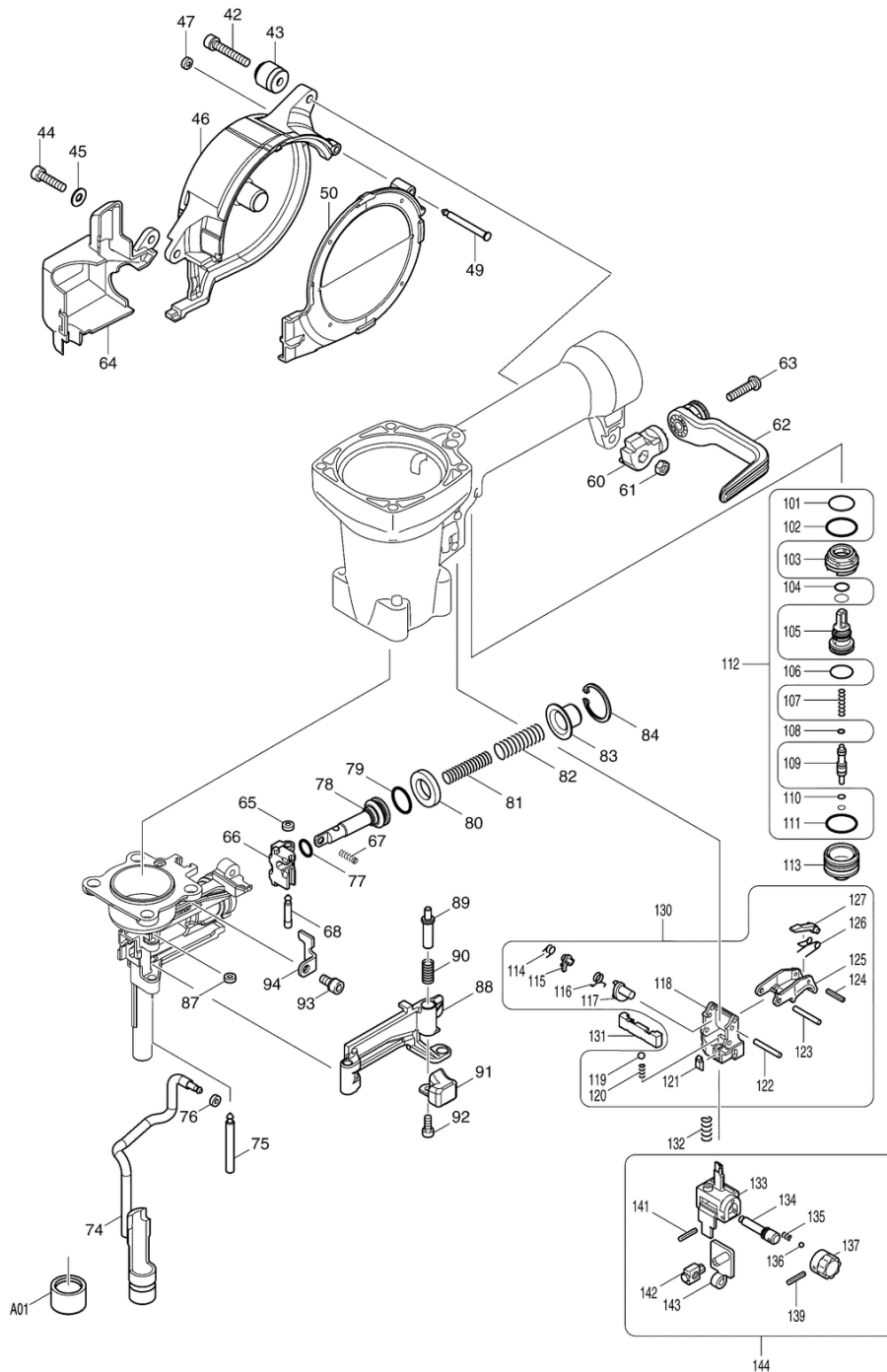


Makita Service Information / Model: AN250HC





Makita Service Information / Model: AN250HC





Makita Werkzeug Ges.m.b.H.

Airportstr. 4, 2401 Fischamend

Tel: 02232 / 777 00

Fax: 02232 / 777 00 - 40

Mail: verkauf@makita.at

Web: www.makita.at

Makita Service Information / Model: AN250HC

POS	Bestell-Nr.	Artikelbeschreibung	Stk.	Stk.Preis
1	265566-9	HEX.SOCK.HEAD BOLT M6x30 AN711	4	N/A
2	158219-6	TOP CAP COMPLETE AN711H	1	N/A
3	413112-4	FILTER AN711H	1	N/A
4	233484-9	COMPRESSION SPRING 4 AN711H	9	N/A
5	213668-5	O RING 60	1	N/A
6	213612-2	O RING 50 AN711/911H	1	N/A
7	419842-5	HEAD VALVE AN711/911H	1	N/A
8	213657-0	O RING 53	1	N/A
9	424012-3	REAR CUSHION AN711/911H	1	N/A
10	331764-8	HEAD VALVE GUIDE AN711H	1	N/A
11	213720-9	O-KRÚŽOK 67	1	N/A
12	213982-9	O-RING 26 AN711/911H	1	N/A
13	168538-2	DRIVER	1	N/A
14	424013-1	Valve seat	1	N/A
15	331759-1	Cylinder Stay	1	N/A
16	331763-0	CYLINDER AN711H	1	N/A
17	213657-0	O RING 53	1	N/A
18	213531-2	O RING 39 AN711/911H	1	N/A
19	162254-8	Top cap gasket	1	N/A
20	213045-1	O-KRÚŽOK 6 AN711/911H	1	N/A
21	867290-6	Name Plate	1	N/A
22	194737-0	AIR LEAK REPAIR SET	1	N/A
22		*** INC. 5,6,8,112		N/A
23	819324-1	LABEL L	1	N/A
25	819323-3	LABEL R	1	N/A
26	188777-8	HOUSING SET	1	N/A
26		*** INC. 23,25		N/A
27	331758-3	CYLINDER GUIDE AN711/911H	1	N/A
28	424011-5	FRONT CUSHION AN711/911H	1	N/A
29	213554-0	O-KRÚŽOK 44	1	N/A
30	213021-5	O-KRÚŽOK 5	1	N/A
31	310318-4	DRIVER GUIDE	1	N/A
32	265565-1	HEX.SOCK.HEAD BOL.M8x30 AN711H	4	N/A
33	413105-1	INLET FILTER AN711H/AN510H	1	N/A
34	213521-5	O RING 36	1	N/A
34.2	213506-1	O RING 36	1	N/A
35	318108-9	INLET CAP	1	N/A
36	286280-4	CAP 9	1	N/A
37	243105-5	One touch joint	1	N/A
38	951069-6	SPRING PIN 3-20	1	N/A



Makita Werkzeug Ges.m.b.H.

Airportstr. 4, 2401 Fischamend

Tel: 02232 / 777 00

Fax: 02232 / 777 00 - 40

Mail: verkauf@makita.at

Web: www.makita.at

Makita Service Information / Model: AN250HC

POS	Bestell-Nr.	Artikelbeschreibung	Stk.	Stk.Preis
39	951078-5	SPRING PIN AN711H/AN620H/510H	1	N/A
40	951078-5	SPRING PIN AN711H/AN620H/510H	1	N/A
41	951078-5	SPRING PIN AN711H/AN620H/510H	1	N/A
42	265919-2	HEX.SOCKET HEAD BOLT M5x30	1	N/A
43	325725-8	SLEEVE 5	1	N/A
44	266369-4	HEX. SOCKET HEAD BOLT M5x20	1	N/A
45	267343-5	FLAT WASHER 5 AN711H	1	N/A
46	451377-0	MAGAZINE	1	N/A
47	262120-0	URETHANE RING 6	1	N/A
49	256678-9	PIN 4	1	N/A
50	140304-9	MAGAZINE CAP	1	N/A
60	162255-6	HOOK BASE	1	N/A
61	931202-6	Skrutka M5	1	N/A
62	168499-6	HOOK	1	N/A
63	265176-2	PAN.HD.SCREW M5x22	1	N/A
64	451379-6	CONTACT ARM COVER	1	N/A
65	262120-0	URETHANE RING 6	1	N/A
66	310320-7	FEEDING CLAW	1	N/A
67	234150-1	COMPRESSION SPRING 3	1	N/A
68	256432-1	PIN 4 - 4.5	1	N/A
74	165584-6	CONTACT ARM	1	N/A
75	256782-4	PIN 5	1	N/A
76	262120-0	URETHANE RING 6	1	N/A
77	213054-0	O-KRÚŽOK 9 5014NB	1	N/A
78	325718-5	Piston	1	N/A
79	213154-6	O RING 14	1	N/A
80	262123-4	RUBBER RING 14	1	N/A
81	234045-8	COMPRESSION SPRING 9	1	N/A
82	234046-6	COMPRESSION SPRING 10	1	N/A
83	345781-2	CUP WASHER	1	N/A
84	962103-7	RETAINING RING R-24	1	N/A
87	262120-0	URETHANE RING 6	1	N/A
88	310319-2	DOOR	1	N/A
89	325721-6	LOCK PIN AN250HC	1	N/A
90	233201-7	COMPRESSION SPRING 44	1	N/A
91	310050-0	LOCK LEVER	1	N/A
92	266167-6	HEX. SOCKET HEAD BOLT M4x10	1	N/A
93	922211-6	HEX. SOCKET HEAD BOLT M5x12	1	N/A
94	346127-5	HOLDER	1	N/A
101	213233-0	O RING 15	1	N/A



Makita Werkzeug Ges.m.b.H.

Airportstr. 4, 2401 Fischamend

Tel: 02232 / 777 00

Fax: 02232 / 777 00 - 40

Mail: verkauf@makita.at

Web: www.makita.at

Makita Service Information / Model: AN250HC

POS	Bestell-Nr.	Artikelbeschreibung	Stk.	Stk.Preis
102	213275-4	O-KRÚŽOK 18 BFL400F	1	N/A
103	419841-7	TRIGGER VALVE GUIDE AN711H	1	N/A
104	213968-3	O RING 7	2	N/A
105	419958-6	PILOT VALVE	1	N/A
106	213185-5	O RING 12.5	1	N/A
107	234014-9	Compression Spring 3	1	N/A
107.2	234187-8	Compression Spring 3 AN711H	1	N/A
108	213034-6	O RING 3	1	N/A
108.2	213044-3	OKRUŽOK 3 AN923/943	1	N/A
109	324743-3	TRIGGER VALVE STEM	1	N/A
109.2	326189-9	TRIGGER VALVE STEM	1	N/A
110	213979-8	O RING 3	2	N/A
110.2	213640-7	O RING 3	2	N/A
111	213275-4	O-KRÚŽOK 18 BFL400F	1	N/A
112	194737-0	AIR LEAK REPAIR SET	1	N/A
112		*** INC. 110,111		N/A
112		*** INC. 22,101,102,104,106,108,		N/A
113	331741-0	TRIGGER VALVE CASE	1	N/A
114	233501-5	TORSION SPRING 5	1	N/A
115	310199-6	STOPPER PLATE	1	N/A
116	233502-3	TORSION SPRING 6	1	N/A
117	310310-0	LEVER	1	N/A
118	419844-1	TRIGGER	1	N/A
119	216024-8	GULKA OCEĽOVÁ 4	1	N/A
119.2	326144-1	LOCK PIN	1	N/A
120	233490-4	COMPRESSION SPRING 2	1	N/A
121	419743-7	SPRING COVER	1	N/A
122	268168-0	PIN 3	1	N/A
123	268168-0	PIN 3	1	N/A
124	951007-8	SPRING PIN 2-12	1	N/A
125	310190-4	TRIGGER	1	N/A
126	231699-2	TORSION SPRING 4	1	N/A
127	310196-2	TRIP LEVER	1	N/A
130	135188-8	Trigger assembly	1	N/A
130		*** INC. 114-127		N/A
130.2	135188-8	Trigger assembly	1	N/A
130.2		*** INC. 114-127		N/A
131	310187-3	CHANGE ROD	1	N/A
132	233489-9	COMPRESSION SPRING 6	1	N/A
133	310227-7	YOKE UPPER	1	N/A



Makita Werkzeug Ges.m.b.H.

Airportstr. 4, 2401 Fischamend

Tel: 02232 / 777 00

Fax: 02232 / 777 00 - 40

Mail: verkauf@makita.at

Web: www.makita.at

Makita Service Information / Model: AN250HC

POS	Bestell-Nr.	Artikelbeschreibung	Stk.	Stk.Preis
134	324767-9	ADJUSTING SHAFT	1	N/A
135	233491-2	COMPRESSION SPRING 2	1	N/A
136	216031-1	STEEL BALL 2.3	1	N/A
137	158747-1	Adjuster	1	N/A
139	951010-9	SPRING PIN 2-14	1	N/A
141	951010-9	SPRING PIN 2-14	1	N/A
142	310201-5	Adjuster Piece	1	N/A
143	345801-2	SLIDE PLATE	1	N/A
144	135228-2	Adjuster	1	N/A
144		*** INC. 133-137,139,141-143		N/A
145	135597-1	TRIGGER VALVE ASS'Y	1	N/A
145		*** INC. 101-111,113		N/A
1001	424234-5	NOSE ADAPTER A	2	N/A
1002	424237-9	NOSE ADAPTER B	2	N/A
1003	824792-5	PLASTIC CARRYING CASE	1	N/A
1004	192517-8	SAFETY GOGGLE	1	N/A
1004.2	195246-2	SAFETY GOGGLE	1	N/A
1005	194381-3	OIL SUPPLY SET	1	N/A