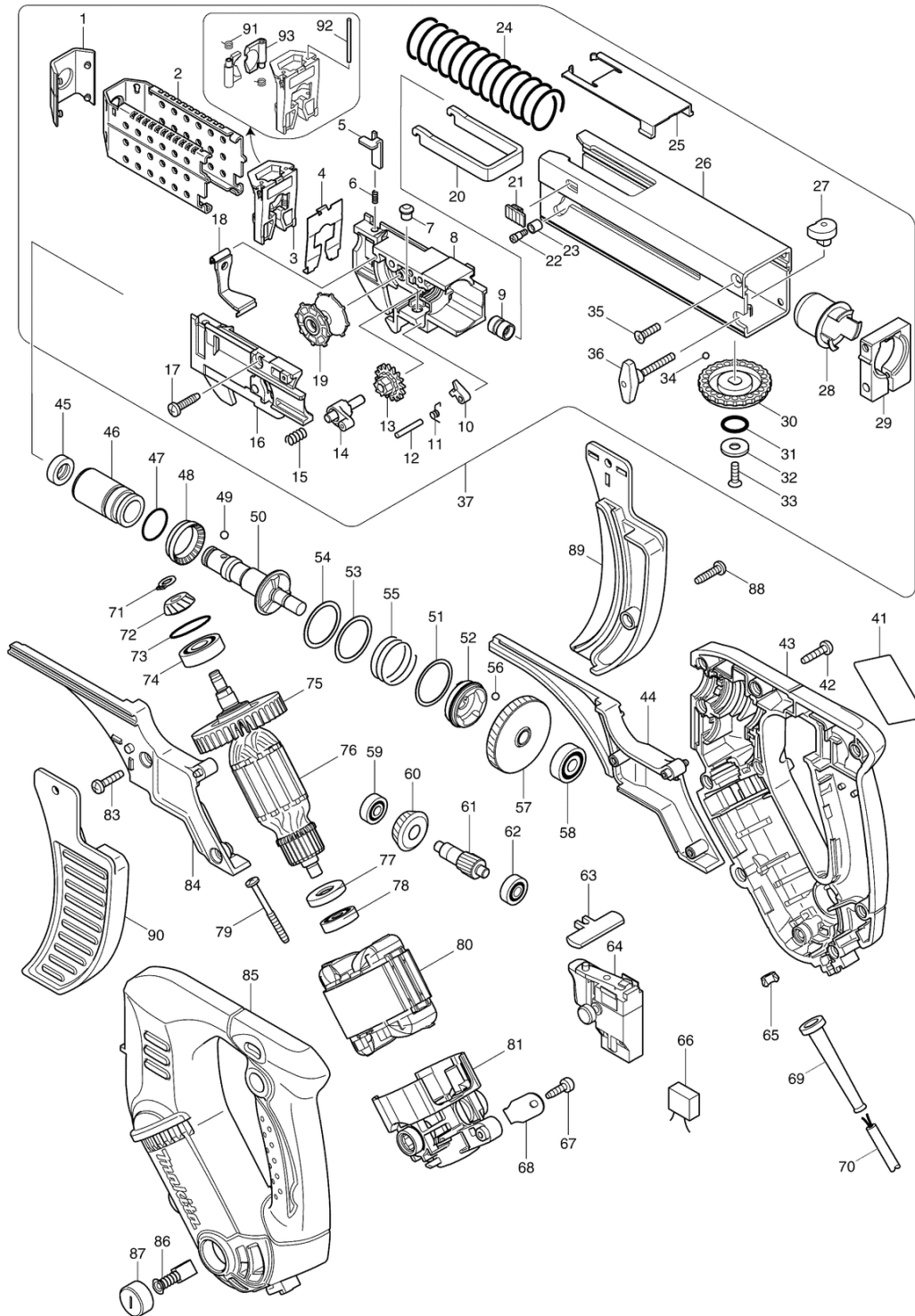




**Makita Service Information / Model: 6844**





## Makita Werkzeug Ges.m.b.H.

Airportstr. 4, 2401 Fischamend

Tel: 02232 / 777 00

Fax: 02232 / 777 00 - 40

Mail: verkauf@makita.at

Web: www.makita.at

### Makita Service Information / Model: 6844

| POS | Bestell-Nr. | Artikelbeschreibung             | Stk. | Stk.Preis |
|-----|-------------|---------------------------------|------|-----------|
| 1   | 424043-2    | KRYTKA                          | 1    | N/A       |
| 2   | 345841-0    | STOPPER BASE 75                 | 1    | N/A       |
| 3   | 158376-0    | GUIDE BOX COMPLETE              | 1    | N/A       |
| 3   |             | *** INC. 91,92,93               |      | N/A       |
| 3.2 | 158776-4    | KRYT KPL.                       | 1    | N/A       |
| 3.2 |             | *** INC. 91,92,93               |      | N/A       |
| 3.3 | 140493-0    | KRYT KOMPL. BFR540,550,750      | 1    | N/A       |
| 3.3 |             | *** INC. 4,91,92,93             |      | N/A       |
| 4   | 345840-2    | PLATNIČKA                       | 1    | N/A       |
| 4.2 | 346269-5    | GUARD                           | 1    | N/A       |
| 5   | 345837-1    | PLATNIČKA ZAISTOVACIA           | 2    | N/A       |
| 6   | 233211-4    | PRUŽINA PRÍTLAČNÁ 2             | 2    | N/A       |
| 7   | 256451-7    | KOLÍK 6 6833/6834/6835D         | 1    | N/A       |
| 8   | 450107-6    | FEEDER BOX                      | 1    | N/A       |
| 9   | 257685-5    | SLEEVE 5                        | 1    | N/A       |
| 10  | 310062-3    | STOP PÁČKA 6833/6834/6835D      | 1    | N/A       |
| 11  | 231636-6    | PRUŽINA 4 6833/6834/6835D       | 1    | N/A       |
| 12  | 256158-5    | KOLÍK 3 256158-5                | 1    | N/A       |
| 13  | 226344-2    | OZUBENÉ SÚKOLIE 6833/6834/6835D | 1    | N/A       |
| 14  | 158374-4    | OSKA PODÁVAČA                   | 1    | N/A       |
| 15  | 233212-2    | PRUŽINA 6 6833/6834/6835D       | 1    | N/A       |
| 16  | 158378-6    | BOXCOVER COMPLETE               | 1    | N/A       |
| 17  | 265995-6    | SKRUTKA SAMOREZNÁ 4x18          | 1    | N/A       |
| 18  | 162201-9    | PRACHOVKA 6833/6834/6835D       | 1    | N/A       |
| 19  | 416518-5    | TRANSPORTNÝ VALEC 6833/34/35D   | 1    | N/A       |
| 20  | 345838-9    | PLATNIČKA                       | 1    | N/A       |
| 21  | 450111-5    | PÁČKA VYPÍNAČA                  | 2    | N/A       |
| 22  | 265177-0    | SKRUTKA M3x5                    | 1    | N/A       |
| 23  | 257764-9    | PODLOŽKA VYMEDZOVACIA 4         | 1    | N/A       |
| 24  | 234032-7    | COMPRESSION SPRING 23           | 1    | N/A       |
| 25  | 450114-9    | CASING COVER                    | 1    | N/A       |
| 26  | 158379-4    | CASING 75 COMPLETE              | 1    | N/A       |
| 27  | 310237-4    | KOLÍK                           | 1    | N/A       |
| 28  | 450110-7    | INSULATION SLEEVE               | 1    | N/A       |
| 29  | 318181-9    | Clamper                         | 1    | N/A       |
| 30  | 417056-0    | KRÚŽOK ŠTELOVÁKA 42 6833/34/35D | 1    | N/A       |
| 31  | 213107-5    | O-KRÚŽOK 12                     | 1    | N/A       |
| 32  | 267201-5    | FLAT WASHER 6                   | 1    | N/A       |
| 33  | 912117-6    | SKRUTKA SO ZAPUST. HLAV. M4x12  | 1    | N/A       |
| 34  | 216001-0    | GULKA OCEĽOVÁ 3,5               | 1    | N/A       |



# Makita Werkzeug Ges.m.b.H.

Airportstr. 4, 2401 Fischamend

Tel: 02232 / 777 00

Fax: 02232 / 777 00 - 40

Mail: verkauf@makita.at

Web: www.makita.at

## Makita Service Information / Model: 6844

| POS  | Bestell-Nr. | Artikelbeschreibung                 | Stk. | Stk.Preis |
|------|-------------|-------------------------------------|------|-----------|
| 35   | 912117-6    | SKRUTKA SO ZAPUST. HLAV. M4x12      | 3    | N/A       |
| 36   | 265778-4    | THUMB SCREW M4x28 new               | 1    | N/A       |
| 36.2 | 265779-2    | THUMB SCREW M4x28 newer             | 1    | N/A       |
| 37   | 194441-1    | CASING 75 SET                       | 1    | N/A       |
| 37   |             | *** INC. 1-36                       |      | N/A       |
| 37.2 | 194545-9    | Casing set new                      | 1    | N/A       |
| 37.2 |             | *** INC. 1-36                       |      | N/A       |
| 37.3 | 194637-4    | Casing 75 set                       | 1    | N/A       |
| 37.3 |             | *** INC. 1-36                       |      | N/A       |
| 37.4 | 195183-0    | HLAVA PODÁVAČA BFR750               | 1    | N/A       |
| 37.4 |             | *** INC. 1-36                       |      | N/A       |
| 41   | 863777-6    | Name Plate 6844                     | 1    | N/A       |
| 42   | 266045-0    | SKRUTKA SAMOREZNÁ 4x20              | 10   | N/A       |
| 43   | 188305-9    | Housing set                         | 1    | N/A       |
| 43   |             | *** INC. 85                         |      | N/A       |
| 44   | 188304-1    | SCREW GUIDE SET                     | 1    | N/A       |
| 44   |             | *** INC. 84                         |      | N/A       |
| 45   | 421467-3    | PROTIPRACHOVA KRYTKA 6830/33/34/34D | 1    | N/A       |
| 46   | 214173-5    | KRYT DRŽIAKA                        | 1    | N/A       |
| 47   | 213262-3    | O-KRÚŽOK 18 4101R/4101RH            | 1    | N/A       |
| 48   | 421927-5    | KRÚŽOK TESNIACI 20                  | 1    | N/A       |
| 49   | 216001-0    | GULKA OCEĽOVÁ 3,5                   | 1    | N/A       |
| 50   | 324808-1    | OSKA B                              | 1    | N/A       |
| 51   | 267332-0    | Flat Washer 26                      | 1    | N/A       |
| 52   | 223169-5    | SPOJKA                              | 1    | N/A       |
| 53   | 267331-2    | Flat Washer 25                      | 1    | N/A       |
| 54   | 267331-2    | Flat Washer 25                      | 1    | N/A       |
| 55   | 234017-3    | COMPRESSION SPRING 25               | 1    | N/A       |
| 56   | 216008-6    | GULKA OCEĽOVÁ 4                     | 3    | N/A       |
| 57   | 226657-1    | Helical Gear 60                     | 1    | N/A       |
| 58   | 210029-0    | LOŽISKO GULIČKOVÉ 608ZZ             | 1    | N/A       |
| 58.2 | 211034-0    | LOŽISKO GULIČKOVÉ 608               | 1    | N/A       |
| 59   | 210028-2    | BALL BEARING 606ZZ                  | 1    | N/A       |
| 59.2 | 211014-6    | LOŽISKO GULIČKOVÉ 606               | 1    | N/A       |
| 60   | 227528-5    | KOLESO OZUBENÉ 22                   | 1    | N/A       |
| 61   | 226667-8    | HELICAL GEAR 9 6844                 | 1    | N/A       |
| 62   | 210028-2    | BALL BEARING 606ZZ                  | 1    | N/A       |
| 62.2 | 211014-6    | LOŽISKO GULIČKOVÉ 606               | 1    | N/A       |
| 63   | 419304-3    | PLATNIČKA PREPÍNAČA                 | 1    | N/A       |
| 64   | 650590-9    | VYPÍNAČ SGEL206CR-1                 | 1    | N/A       |



## Makita Werkzeug Ges.m.b.H.

Airportstr. 4, 2401 Fischamend

Tel: 02232 / 777 00

Fax: 02232 / 777 00 - 40

Mail: verkauf@makita.at

Web: www.makita.at

### Makita Service Information / Model: 6844

| POS  | Bestell-Nr. | Artikelbeschreibung             | Stk. | Stk.Preis |
|------|-------------|---------------------------------|------|-----------|
| 65   | 252045-6    | MATICA 4-HRANNÁ M5 BO5020/21    | 1    | N/A       |
| 66   | 645253-0    | ODRUSOVACI KONDENZATOR          | 1    | N/A       |
| 67   | 266192-7    | SKRUTKA SAMOREZNÁ 4x14 HR4010C  | 1    | N/A       |
| 68   | 687169-3    | DRŽIAK KÁBLA HP1620/1621        | 1    | N/A       |
| 69   | 682559-5    | CHRANIC SNURY 8                 | 1    | N/A       |
| 70   | 695034-2    | KÁBEL 1.0-2-4.                  | 1    | N/A       |
| 71   | 961002-0    | POISTNY KRUZOK S-6              | 1    | N/A       |
| 72   | 227527-7    | KOLESO OZUBENÉ                  | 1    | N/A       |
| 73   | 213380-7    | O-KRÚŽOK 24                     | 1    | N/A       |
| 74   | 211061-7    | LOŽISKO GULIČKOVÉ 6000LLB       | 1    | N/A       |
| 75   | 241869-5    | FAN 55                          | 1    | N/A       |
| 76   | 515713-5    | ROTOR 220-240V                  | 1    | N/A       |
| 76   |             | *** INC. 74,75,77,78            |      | N/A       |
| 77   | 681652-2    | IZOLAČNÁ PODLOŽKA JR180D/TW0200 | 1    | N/A       |
| 78   | 211021-9    | LOŽISKO GULIČKOVÉ 607LLB        | 1    | N/A       |
| 79   | 266069-6    | SKRUTKA SAMOREZNÁ 4X45          | 2    | N/A       |
| 80   | 639372-2    | STATOR 220-240V                 | 1    | N/A       |
| 81   | 158380-9    | DRŽIAK UHLÍKOV                  | 1    | N/A       |
| 83   | 265995-6    | SKRUTKA SAMOREZNÁ 4x18          | 2    | N/A       |
| 84   | 188304-1    | SCREW GUIDE SET                 | 1    | N/A       |
| 84   |             | *** INC. 44                     |      | N/A       |
| 85   | 188305-9    | Housing set                     | 1    | N/A       |
| 85   |             | *** INC. 43                     |      | N/A       |
| 86   | 191940-4    | UHLÍKY CB-411                   | 1    | N/A       |
| 87   | 643928-5    | VIECKO DRZIACA UHLIKOV 9524NB   | 2    | N/A       |
| 88   | 265995-6    | SKRUTKA SAMOREZNÁ 4x18          | 1    | N/A       |
| 88.2 | 265995-6    | SKRUTKA SAMOREZNÁ 4x18          | 2    | N/A       |
| 89   | 188310-6    | KYRT RÚČKY KPL.                 | 1    | N/A       |
| 89   |             | *** INC. 90                     |      | N/A       |
| 89.2 | 188310-6    | KYRT RÚČKY KPL.                 | 1    | N/A       |
| 89.2 |             | *** INC. 90                     |      | N/A       |
| 90   | 188310-6    | KYRT RÚČKY KPL.                 | 1    | N/A       |
| 90   |             | *** INC. 89                     |      | N/A       |
| 90.2 | 188310-6    | KYRT RÚČKY KPL.                 | 1    | N/A       |
| 90.2 |             | *** INC. 89                     |      | N/A       |
| 91   | 233516-2    | PRUŽINA 4                       | 2    | N/A       |
| 91.2 | 233567-5    | TORSION SPRING 4 6842/BFR       | 2    | N/A       |
| 92   | 268188-4    | KOLÍK 2                         | 2    | N/A       |
| 93   | 310236-6    | GUIDE                           | 2    | N/A       |
| 93.2 | 310282-9    | GUIDE                           | 2    | N/A       |



## Makita Werkzeug Ges.m.b.H.

Airportstr. 4, 2401 Fischamend

Tel: 02232 / 777 00

Fax: 02232 / 777 00 - 40

Mail: [verkauf@makita.at](mailto:verkauf@makita.at)

Web: [www.makita.at](http://www.makita.at)

### Makita Service Information / Model: 6844

| POS  | Bestell-Nr. | Artikelbeschreibung     | Stk. | Stk.Preis |
|------|-------------|-------------------------|------|-----------|
| 94   | 125810-5    | Feeder Box Assy         | 1    | N/A       |
| 94   |             | *** INC. 1-3,5-19,22,23 |      | N/A       |
| 1001 | 265734-4    | SCREW M5x13             | 1    | N/A       |
| 1002 | 345831-3    | HOOK                    | 1    | N/A       |
| 1003 | 784254-4    | +BIT 2-177              | 3    | N/A       |
| 1004 | 824808-6    | PLASTIC CARRYING CASE   | 1    | N/A       |