



Makita Werkzeug Ges.m.b.H.

Airportstr. 4, 2401 Fischamend

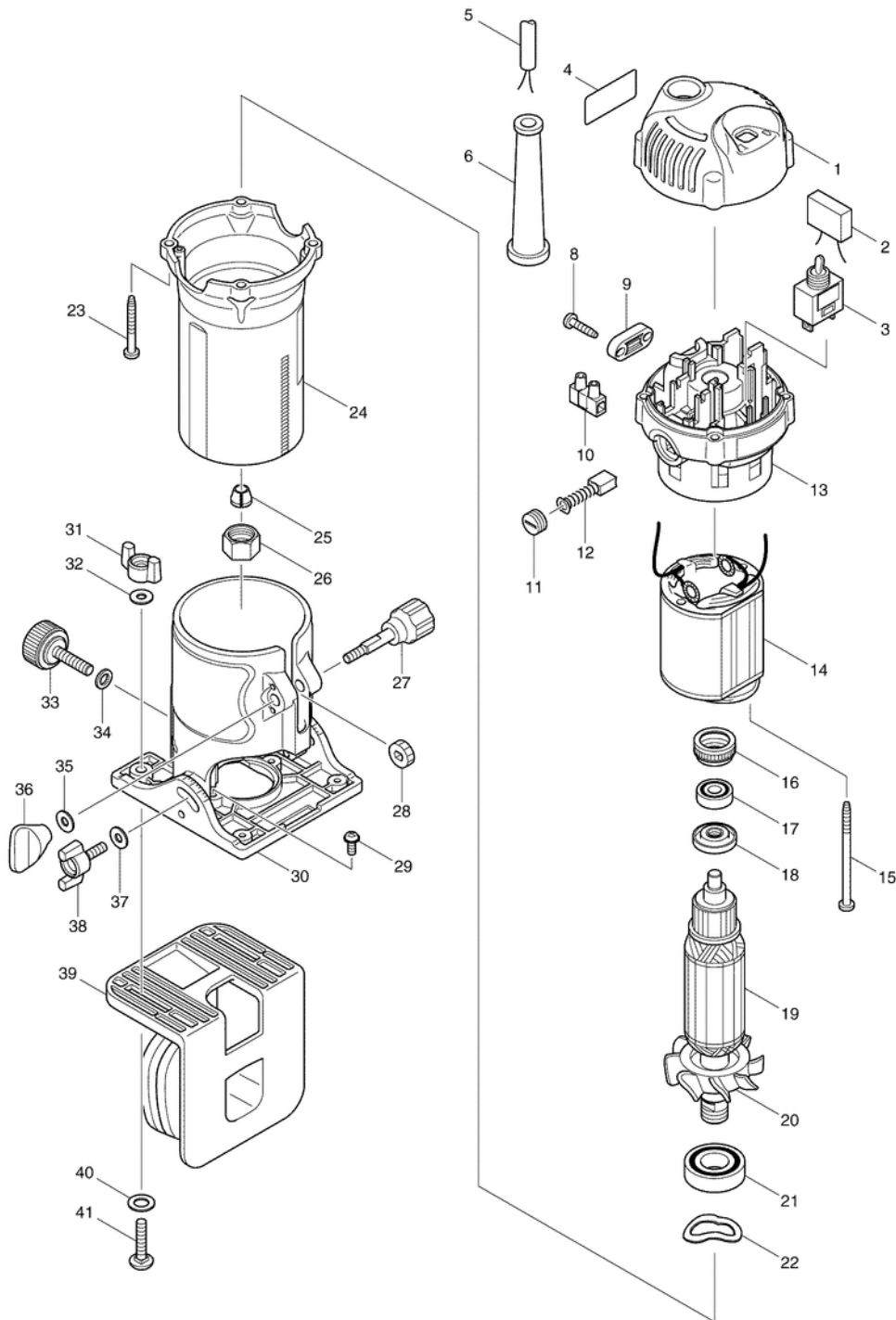
Tel: 02232 / 777 00

Fax: 02232 / 777 00 - 40

Mail: verkauf@makita.at

Web: www.makita.at

Makita Service Information / Model: 3710





Makita Werkzeug Ges.m.b.H.

Airportstr. 4, 2401 Fischamend

Tel: 02232 / 777 00

Fax: 02232 / 777 00 - 40

Mail: verkauf@makita.at

Web: www.makita.at

Makita Service Information / Model: 3710

POS	Bestell-Nr.	Artikelbeschreibung	Stk.	Stk.Preis
1	419137-6	KRYT MOTORA 3707-08F	1	N/A
2	645200-1	ODRUSOVACI KONDENZATOR	1	N/A
3	651425-7	VYPINAČ	1	N/A
4	861701-3	NAME PLATE 3710	1	N/A
5	665394-6	KÁBEL 1,0-2-2,5 9566CR/CVR	1	N/A
6	682569-2	CHRÁNIČ ŠNÚRY MT601/811/952/953	1	N/A
8	266326-2	SKRUTKA SAMOREZNÁ	2	N/A
9	687124-5	DRŽIAK KÁBLA MT240/953T955	1	N/A
10	654532-5	SVORKOVNICA 1P	1	N/A
11	643550-8	VIECKO DRZIACA UHLIKOV 5-8	2	N/A
12	191940-4	UHLÍKY CB-411	1	N/A
13	154669-3	KRYT MOTORA	1	N/A
14	590019-2	STATOR 3709-3710	1	N/A
15	266340-8	TAPPING SCREW 4x65 3709-3710	2	N/A
16	421494-0	GUMENY KRUZOK 19	1	N/A
17	210034-7	LOŽISKO GULIČKOVÉ 607LLB 9554-58NB	1	N/A
18	681668-7	RESIN WASHER	1	N/A
18.2	681668-7	RESIN WASHER	1	N/A
19	515634-1	KOTVA UPLNA 220V	1	N/A
19		*** INC. 17,18,20,21		N/A
20	241667-7	FAN 52 3709-3710	1	N/A
21	211223-7	LOŽISKO GULIČKOVÉ 6002LLH	1	N/A
21	211223-7	LOŽISKO GULIČKOVÉ 6002LLH	1	N/A
21.2	211223-7	LOŽISKO GULIČKOVÉ 6002LLH	1	N/A
21.2	211489-9	KUGELLAGER 6002DDW	1	N/A
21.3	211489-9	KUGELLAGER 6002DDW	1	N/A
22	267785-3	PODLOŽKA PRUŽNÁ	1	N/A
23	266351-3	SKRUTKA 4x35	4	N/A
24	154668-5	KRYT PREVODOVKY	1	N/A
25	763662-2	COLLET CONE 6	1	N/A
26	763661-4	COLLET NUT 6	1	N/A
27	265771-8	SKRUTKA M5X33	1	N/A
28	226217-9	KOLESO OZUBENÉ 16-prevod 2473	1	N/A
29	911114-9	SKRUTKA M4x10	2	N/A
30	154670-8	ZÁKLADNÁ DOSKA	1	N/A
31	252653-3	MATICA KRIDLOVA M5	2	N/A
32	941101-4	PODLOZKA 5	2	N/A
33	265763-7	THUMB SCREW M6x25 3709	1	N/A
33	251814-2	SKRUTKA M6x18 3707-3708F	1	N/A
33.2	251814-2	SKRUTKA M6x18 3707-3708F	1	N/A



Makita Werkzeug Ges.m.b.H.

Airportstr. 4, 2401 Fischamend

Tel: 02232 / 777 00

Fax: 02232 / 777 00 - 40

Mail: verkauf@makita.at

Web: www.makita.at

Makita Service Information / Model: 3710

POS	Bestell-Nr.	Artikelbeschreibung	Stk.	Stk.Preis
34	941151-9	PODLOZKA 6	1	N/A
35	941101-4	PODLOZKA 5	1	N/A
36	252652-5	MATICA KRIDLOVA M5	1	N/A
37	941101-4	PODLOZKA 5	2	N/A
38	265761-1	SKRUTKA KRIDLOVA M5X16	2	N/A
39	414304-8	STÔL ZÁKLADNÝ 3702B/3708/F	1	N/A
40	267240-5	PODLOŽKA 8 MT601/811	2	N/A
41	923241-0	SKRUTKA M5x25 3702B/3708/F	2	N/A
1001	122703-7	TRIMMER GUIDE ASS'Y	1	N/A
1002	122704-5	STRAIGHT GUIDE ASS'Y	1	N/A
1003	345433-5	TEMPLET GUIDE 10	1	N/A
1003	343577-5	TEMPLET GUIDE 10	1	N/A
1003.2	343577-5	TEMPLET GUIDE 10	1	N/A
1004	781036-5	WRENCH 10	1	N/A
1005	781037-3	WRENCH 17	1	N/A
1006	733239-7	STRAIGHT BIT 6	1	N/A
1010	821550-0	CONNECTOR PLASTIC CASE (TYPE2)	1	N/A
1010.2	821550-0	CONNECTOR PLASTIC CASE (TYPE2)	1	N/A
1011	837674-2	INNER TRAY	1	N/A
1012	800X22-2	3710J INDICATION LABEL	1	N/A
1013	800X23-0	3710J PLASTIC CASE LABEL	2	N/A