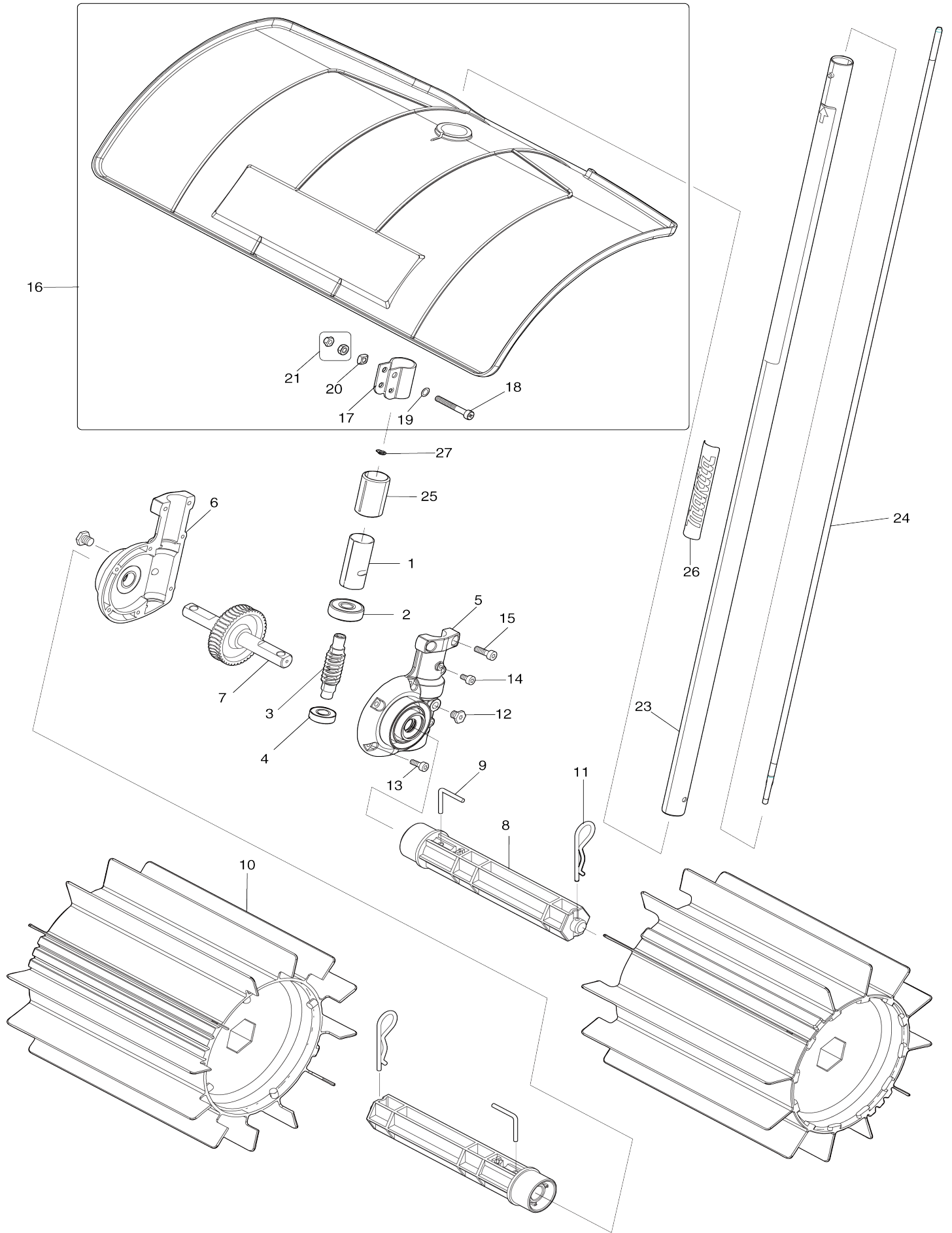


Model No.SW400MP POWER SWEEP ATTACHMENT



Model No.SW400MP POWER SWEEP ATTACHMENT

Item No.	Parts No.	Description	Interchangability	Q'ty	New/Old	Note1	Note2
001	XNR0000519	COLLAR		1			
002	XNR0000520	BALL BEARING 6301LL		1			
003	XNR0000521	WORM COMPLETE		1			
004	XNR0000052	BALL BEARING #6001ZZ		1			
005	XNR0000536	WORM CASE A COMPL		1			
006	XNR0000537	WORM CASE B COMPL		1			
007	XNR0000544	WHEEL COMPLETE		1			
008	XNR0000547	AXLE SHAFT		2			
009	XNR0000546	L PIN		2			
010	XNR0000549	SWEEPER COMPLETE		2			
011	XNR0000545	R PIN		2			
012	XNR0000495	BOLT		2			
013	XNR0000529	H.L.SOCKET HEAD BOLT M5X15		6			
014	XNR0000528	H.L.SOCKET HEAD BOLT M5X10		1			
015	XNR0000527	H.L.SOCKET HEAD BOLT M6X20		2			
016	140D65-5	Rotary cover complete A		1			
C10	817T97-0	Caution label		1			
016		INC. 17-21					
017	XNR0000541	COVER SLEEVE		1			
018	XNR0000517	H.L.SOCKET HEAD BOLT M6X45		2			
019	XNR0000543	FLAT WASHER 6		2			
020	XNR0000542	SQUARE NUT		2			
021	XNR0000516	HARD LOCK NUT RIM		2			
023	140E15-6	SHAFT PIPE COMPLETE B		1	*		
C10	817U07-3	Caution label		1	*		
023-1	140E15-6	SHAFT PIPE COMPLETE B	<	1			
C10	817U07-3	Caution label		1			
024	327189-2	SHAFT A		1			
025	458732-7	SPACER		1			
026	819312-8	MAKITA LOGO LABEL		1			
027	961003-8	RETAINING RING S-7		1			
A01	424434-7	CAP 24		2			
A02	782025-3	HEXALOBULAR WRENCH 27		1			

Please state Parts No. when your order.

Print Date 13. 01. 2025