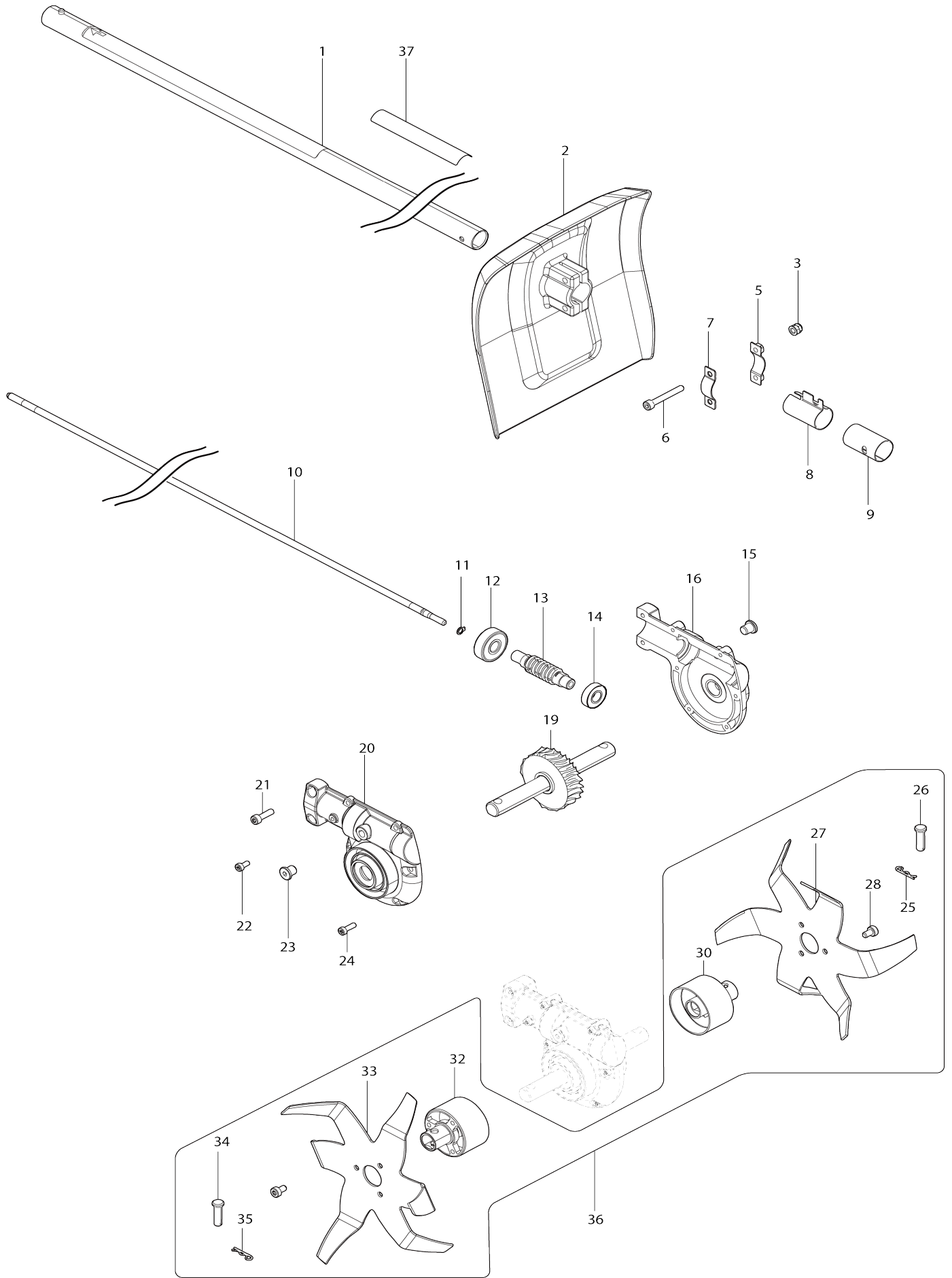


Model No.KR401MP CULTIVATOR ATTACHMENT



Model No.KR401MP CULTIVATOR ATTACHMENT

Item No.	Parts No.	Description	Interchangability	Q'ty	New/Old	Note1	Note2
001	140C62-5	SHAFT PIPE COMPLETE B		1	*		
C10	817F70-6	Caution label		1	*		
001-1	140C62-5	SHAFT PIPE COMPLETE B	<	1			
C10	817F70-6	Caution label		1			
002	XNR0000515	ROTARY COVER		1	*		
002-1	140U18-6	ROTARY COVER COMPLETE M	<	1			
C10	8012A6-8	CAUTION LABEL		1			
002-1		INC. 3,5-8					
003	XNR0000516	HARD LOCK NUT RIM		2			
005	XNR0000487	GUARD CLAMP B		1			
006	XNR0000517	H.L.SOCKET HEAD BOLT M6X45		2			
007	XNR0000518	COVER HOLDER A		1			
008	XNR0000443	COVER SLEEVE		1			
009	XNR0000519	COLLAR		1			
010	326088-5	SHAFT A		1	*		
010-1	327723-8	SHAFT A	O	1			
011	961003-8	RETAINING RING S-7		1			
012	XNR0000520	BALL BEARING 6301LL		1			
013	XNR0000521	WORM COMPLETE		1			
014	XNR0000052	BALL BEARING #6001ZZ		1			
015	XNR0000522	PLUG		1	*		
015-1	XNR0000495	BOLT	<	1			
016	XNR0000536	WORM CASE A COMPL		1			
019	XNR0000525	WHEEL COMPLETE		1			
020	XNR0000537	WORM CASE B COMPL		1			
021	XNR0000527	H.L.SOCKET HEAD BOLT M6X20		2			
022	XNR0000528	H.L.SOCKET HEAD BOLT M5X10		1			
023	XNR0000522	PLUG		1	*		
023-1	XNR0000495	BOLT	<	1			
024	XNR0000529	H.L.SOCKET HEAD BOLT M5X15		6			
025	XNR0000530	R PIN		1			
026	XNR0000531	PIN		1			
027	XNR0000532	ROTOR L		1			
028	XNR0000533	H.L.SOCKET HEAD BOLT M6X10		6			
030	XNR0000534	HUB		1			
032	XNR0000534	HUB		1			
033	XNR0000535	ROTOR R		1			
034	XNR0000531	PIN		1			
035	XNR0000530	R PIN		1			
036	199204-0	Rotor set LR		1			
036		INC. 25-28,30,32,33-35					
037	819312-8	MAKITA LOGO LABEL		1			
A01	424434-7	CAP 24		1			
A02	782025-3	HEXALOBULAR WRENCH 27		1			

Please state Parts No. when your order.

Print Date 13. 01. 2025