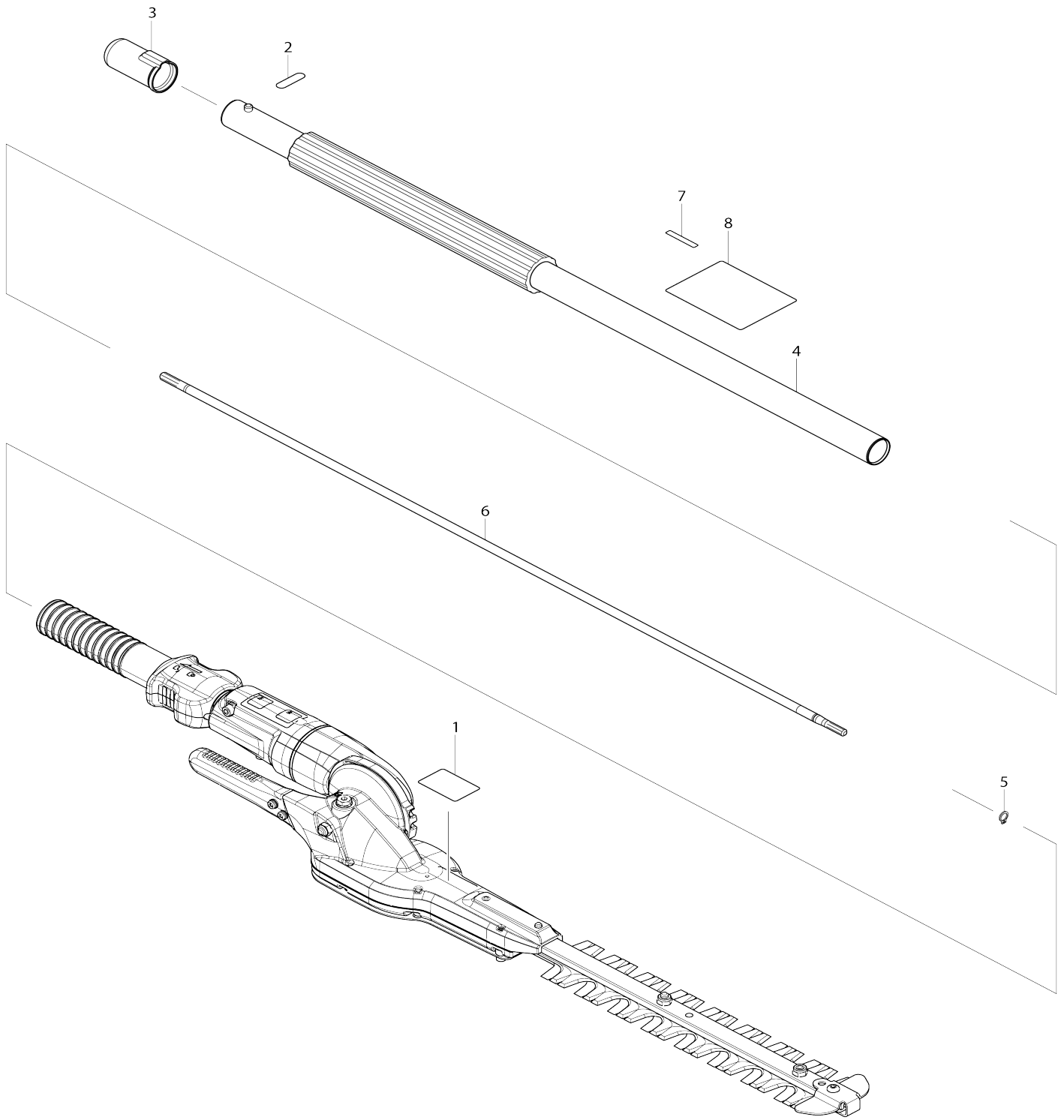
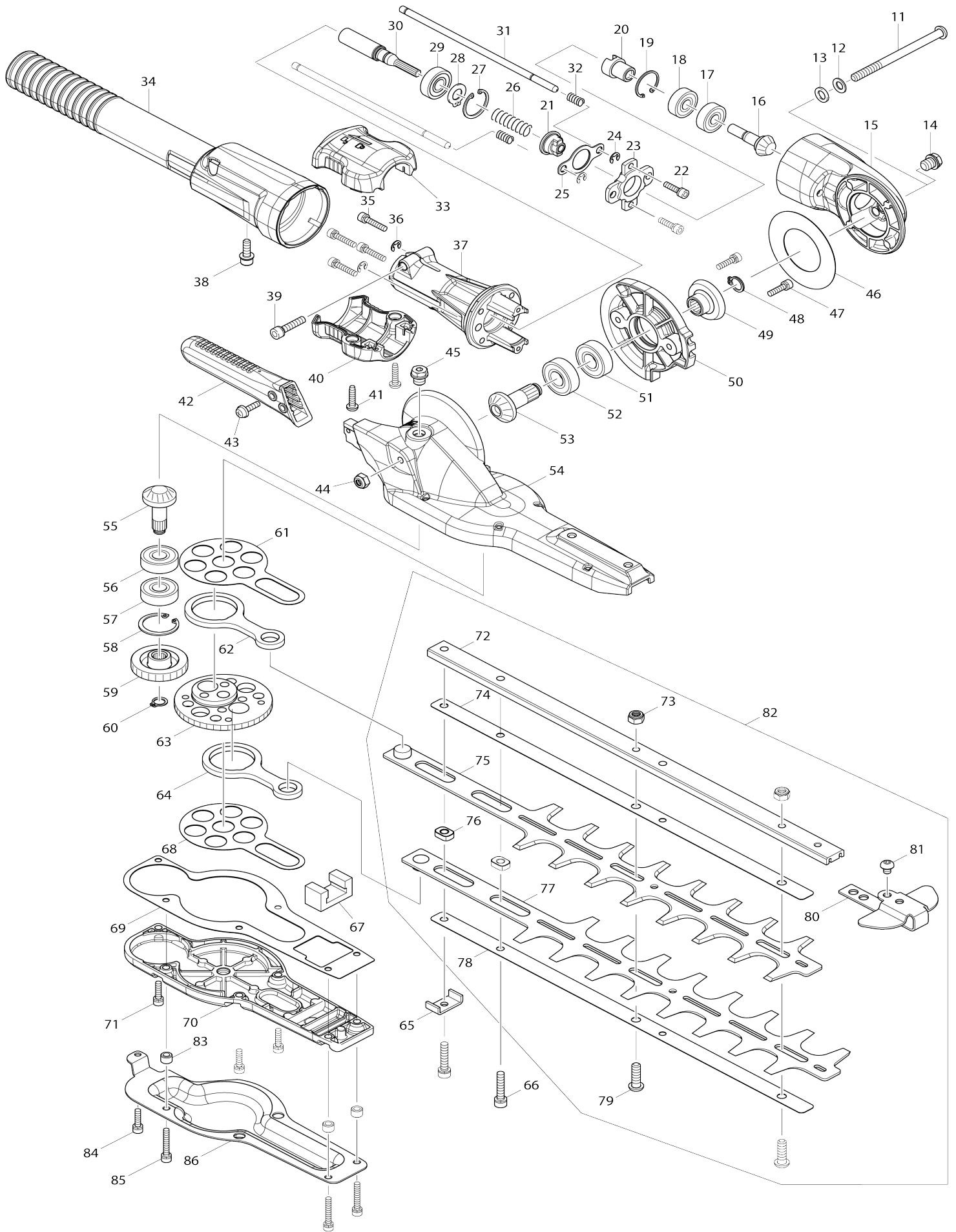


Model No.EN420MP GROUND TRIMMER ATTACHMENT



Model No.EN420MP GROUND TRIMMER ATTACHMENT



Model No.EN420MP GROUND TRIMMER ATTACHMENT

Item No.	Parts No.	Description	Interchangeability	Q'ty	New/Old	Note1	Note2
001	810F60-8	MAKITA LOGO LABEL		1			
002	808723-2	CAUTION LABEL		1			
003	424434-7	CAP 24		1			
004	144037-8	GRIP PIPE A COMPLETE		1	*		
C10	163525-6	LEAF SPRING COMPLETE		1	*		
004		INC. 8			*		
004-1	141Y03-6	GRIP PIPE A COMPLETE	<	1			
C10	163525-6	LEAF SPRING COMPLETE		1			
004-1		INC. 8					
005	961003-8	RETAINING RING S-7		1			
006	326798-4	SHAFT A		1			
007	814A82-0	DATE CODE LABEL		1			
008	810F51-9	CAUTION LABEL		1			
011	266817-3	H.S. BUTTON HEAD BOLT M6X85		1			
012	232279-7	CONED DISC SPRING 6		1			
013	941151-9	FLAT WASHER 6		1			
014	266818-1	HEX. SOCKET HEX. BOLT M8X8		1			
015	318969-7	JOINT		1	*		
015-1	140B55-6	JOINT COMPLETE	<	1	*		
015-2	140S18-4	JOINT COMPLETE	<	1			
016	227604-5	SPIRAL BEVEL GEAR 9		1	*		
016-1	227A84-1	SPIRAL BEVEL GEAR 9	S	1			
017	211032-4	BALL BEARING 608ZZ		1			
018	211032-4	BALL BEARING 608ZZ		1			
019	962102-9	RETAINING RING R-22		1			
020	310534-8	CAM A		1			
021	310535-6	CAM B		1			
022	922126-7	HEX. SOCKET HEAD BOLT M4X16		2			
023	313254-3	HOLDER PLATE		1			
024	961011-9	STOP RING E-4		2			
025	346657-6	SLIDE PLATE		1			
026	231297-2	COMPRESSION SPRING 9		1			
027	962103-7	RETAINING RING R-24		1			
028	961005-4	RETAINING RING S-9		1			
029	210049-4	BALL BEARING 609ZZ		1			
030	142000-5	SPINDLE COMPLETE		1			
031	326812-6	ROD 5		2			
032	233117-6	COMPRESSION SPRING 6		2			
033	187575-7	SLIDE LEVER SET		1			
033		INC. 40					
034	454249-8	COVER		1			
035	265493-0	HEX. SOCKET HEAD BOLT M4X20		4			
036	961011-9	STOP RING E-4		2			
037	318970-2	PIPE HOLDER		1			
038	922223-9	H.S.H.BOLT M5X16 WITH WR		1			
039	922241-7	HEX. SOCKET HEAD BOLT M5X25		1			
040	187575-7	SLIDE LEVER SET		1			

040		INC. 33				
041	265995-6	TAPPING SCREW 4X18		2		
042	456369-4	GRIP		1		
043	911516-9	PAN HEAD SCREW M4X12		2		
044	252190-7	HEX.LOCK NUT M6-10		1		
045	266818-1	HEX. SOCKET HEX. BOLT M8X8		1		
046	267467-7	FLAT WASHER 36		1		
047	922126-7	HEX. SOCKET HEAD BOLT M4X16		2		
048	961006-2	RETAINING RING S-10		1		
049	227605-3	SPIRAL BEVEL GEAR 22		1	*	
049-1	227A85-9	SPIRAL BEVEL GEAR 22	S	1		
050	310533-0	ANGULAR PLATE		1		
051	211148-5	BALL BEARING 6001ZZ		1		
052	211148-5	BALL BEARING 6001ZZ		1		
053	227606-1	SPIRAL BEVEL GEAR 11		1		
054	143500-8	GEAR HOUSING COMPLETE		1		
055	227607-9	SPIRAL BEVEL GEAR 12		1		
056	211062-5	BALL BEARING 6000ZZ		1		
057	211062-5	BALL BEARING 6000ZZ		1		
058	962105-3	RETAINING RING R-26		1		
059	227317-8	SPUR GEAR 24		1		
060	961004-6	RETAINING RING (EXT) S-8		1		
061	346658-4	PLATE		1		
062	346251-4	CONNECTING ROD		1		
063	227248-1	SPUR GEAR 43		1		
064	346251-4	CONNECTING ROD		1		
065	346256-4	HOLDER		1		
066	922241-7	HEX. SOCKET HEAD BOLT M5X25		2		
067	443159-4	SEAL		1		
068	346658-4	PLATE		1		
069	423458-0	GASKET		1		
070	318968-9	UNDER COVER		1		
071	922126-7	HEX. SOCKET HEAD BOLT M4X16		3		
072	319472-1	GUIDE BAR		1		
073	264089-4	HEX. LOCK NUT M6-10		2		
074	347082-4	PLATE		1		
075	725197-1	SHEAR BLADE		1		
076	313211-1	SLEEVE 5		2		
077	725197-1	SHEAR BLADE		1		
078	347082-4	PLATE		1		
079	266824-6	H.S. BUTTON HEAD BOLT M6X20		2		
080	346629-1	END COVER		1		
081	266075-1	HEX. SOCKET HEAD BOLT M5X6		1		
082	198195-2	SHEAR BLADE ASSEMBLY SET MG		1		
082		INC. 72-81				
083	262573-3	SLEEVE 5		3		
084	922126-7	HEX. SOCKET HEAD BOLT M4X16		1		
085	922146-1	HEX. SOCKET HEAD BOLT M4X25		3		
086	346884-5	GUARD		1		
A01	457036-4	BLADE COVER		1	*	
A01-1	458345-4	BLADE COVER	O	1		
A02	782223-9	SOCKET WRENCH		1		

E01	810F62-4	SOUND LABEL		1	*		
E01-1	810F62-4	SOUND LABEL	<	1			
F07-1	198054-0	GROUNDTRIMMER ATTACHMEN T SET B	O	1			

Please state Parts No. when your order.

Print Date 13. 01. 2025