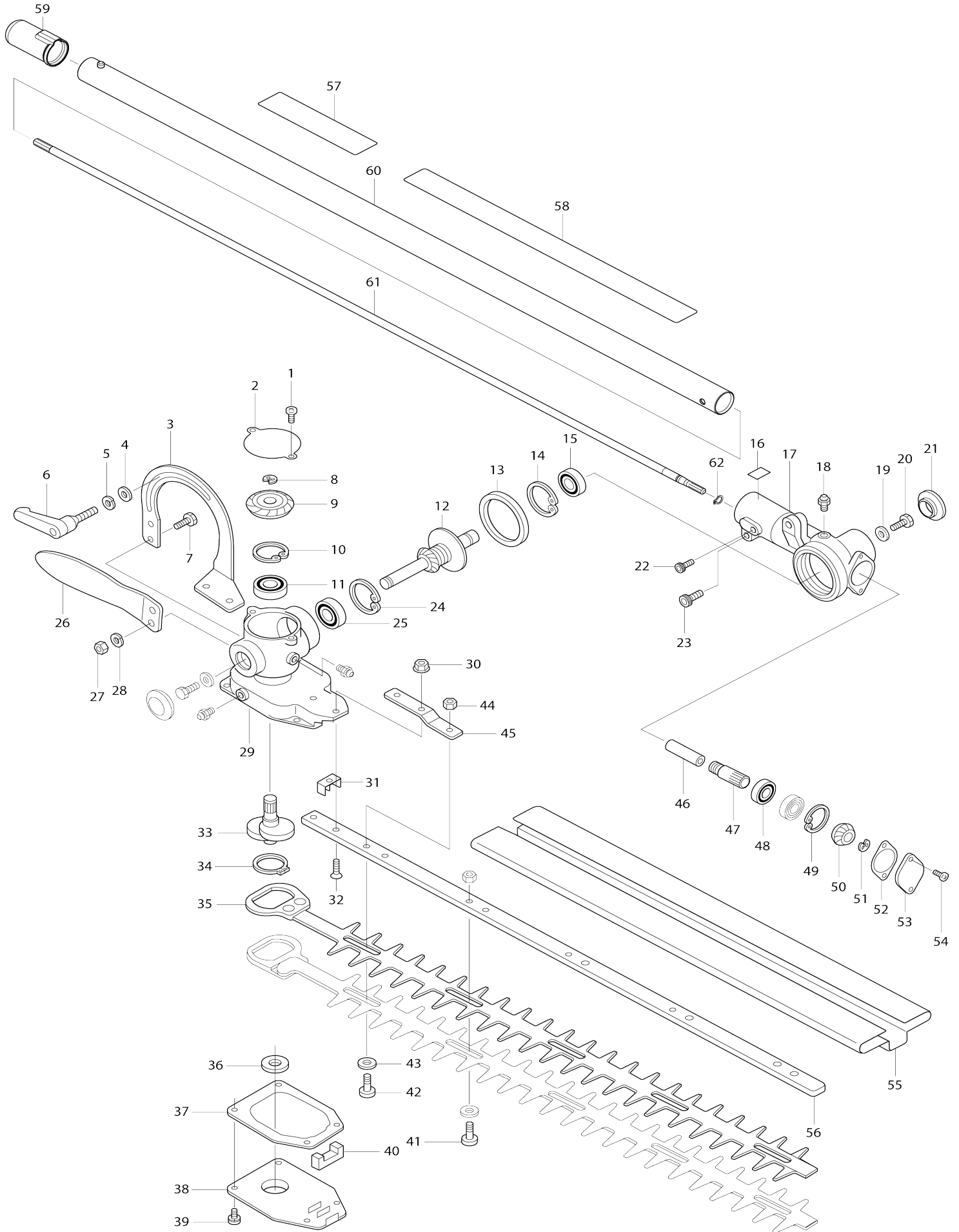


# Model No.EN400MP HEDGE TRIMMER ATTACHMENT



Model No.EN400MP HEDGE TRIMMER ATTACHMENT

Item No.	Parts No.	Description	Interchangeability	Q'ty	New/Old	Note1	Note2
001	0016040080	SCREW ASSEMBLY		2	*		
001-1	016040080K	SCREW M4X8	O	2			
002	0196112004	PLATE		1	*		
002-1	196112004A	PLATE	O	1			
003	0224145003	PLATE		1	*		
003-1	224145003A	PLATE	O	1			
004	0207060209	WASHER		1	*		
004-1	207060209K	WASHER	O	1			
005	0210060000	SPRING WASHER		1	*		
005-1	210060000K	SPRING WASHER M6	O	1			
006	0034000900	CLAMP LEVER		1	*		
006-1	034000900R	CLAMP LEVER	O	1			
007	0054060220	CROSS RECESS BOLT ASSEMBLY		2	*		
007-1	054060220K	BOLT M6X22	O	2			
008	0280006000	CLIP		1	*		
008-1	280006000K	STOP RING ETW6	O	1			
009	0023500444	GEAR		1	*		
009-1	023500444A	BEVEL GEAR	O	1			
010	0282026000	INNER SNAP RING		1	*		
010-1	282026000K	SNAP RING (INNER) R26	O	1			
011	0354060000	BALL BEARING		1	*		
011-1	354060000K	BALL BEARING 6000	O	1			
012	0224130004	GEAR COMPLETE		1	*		
012-1	224130004A	GEAR SHAFT	O	1			
013	0440P41000	RING-O		1	*		
013-1	440P41000K	O RING	O	1			
014	0282026000	INNER SNAP RING		1	*		
014-1	282026000K	SNAP RING (INNER) R26	O	1			
015	0354060000	BALL BEARING		1	*		
015-1	354060000K	BALL BEARING 6000	O	1			
016	6019505700	LABEL		1			
017	6013509000	CASE B		1			
018	0055000100	GREASE NIPPLE M6		3	*		
018-1	055000100R	GREASING NIPPLE	O	3			
019	0207060209	WASHER		2	*		
019-1	207060209K	WASHER	O	2			
020	0054060120	CROSS RECESS BOLT ASSEMBLY		2	*		
020-1	054060120K	BOLT M6X12	O	2			
021	0224147004	CAP		2	*		
021-1	224147004A	CAP	O	2			
022	0080050120	SOCKET HEAD BOLT M5X12		1	*		
022-1	080050120K	SOCKET HEAD BOLT M5X12	O	1			
023	0081050252	SOCKET HEAD BOLT M5X25		1	*		
023-1	081050252K	SOCKET HEAD BOLT M5X25	O	1			
024	0282022000	INNER SNAP RING		1	*		
024-1	282022000K	SNAP RING (INNER) R22	O	1			
025	0354006080	BALL BEARING		1	*		

025-1	354006080K	BALL BEARING 608	O	1		
026	0224141003	HANDLE		1	*	
026-1	224141003A	HANDLE	O	1		
027	0150060000	NUT		2	*	
027-1	150060000K	HEX. NUT M6	O	2		
028	0210060000	SPRING WASHER		2	*	
028-1	210060000K	SPRING WASHER M6	O	2		
029	0224148002	CASE A		1	*	
029-1	224148002A	CASE A	O	1		
030	0162050000	FLANGE NUT M5		2	*	
030-1	162050000K	FLANGE NUT M5	O	2		
031	0224131004	GUIDE		1	*	
031-1	224131004A	GUIDE	O	1		
032	0031050200	SCREW		2	*	
032-1	031050200K	+ COUNTERSUNK HEAD SCREW M5X20	O	2		
033	0024000053	CRANKSHAFT		1	*	
033-1	024000053A	CRANK SHAFT	O	1		
034	0283028000	OUTER SNAP RING		1	*	
034-1	283028000K	SNAP RING STW28	O	1		
035	0224143009	BLADE		2	*	
035-1	224143009A	BLADE	O	2		
036	0353006080	BALL BEARING ZZ 608		1	*	
036-1	353006080K	BEARING 608ZZ	O	1		
037	0224154004	PACKING		1	*	
037-1	224154004A	PACKING	O	1	*	
037-2	224154004A	PACKING	O	1		
038	0224153003	CASE LOWER		1	*	
038-1	224153003A	CASE LOWER	O	1		
039	0054040125	BOLT ASSEMBLY, CROSS RECESS M4		4	*	
039-1	0078040124	SOCKET HEAD BOLT M4X12	<	4		
040	0224112004	FELT		1	*	
040-1	224112004A	FELT	O	1		
041	0040001009	SCREW		4	*	
041-1	040001009A	BLADE SLIDE SCREW L17	O	4		
042	0040002009	SCREW L=19		1	*	
042-1	040002009A	BLADE SLIDE SCREW L19	O	1		
043	0082500000	BLADE SLIDING WASHER		5		
044	0164060000	U-NUT M6		5	*	
044-1	164060000K	HEX. U-NUT M6	O	5		
045	0224108004	PLATE		1	*	
045-1	224108004A	PLATE	O	1		
046	0224146004	JOINT R		1	*	
046-1	224146004A	JOINT R	O	1		
047	0196109004	GEAR SHAFT B		1	*	
047-1	196109004A	GEAR SHAFT B	O	1		
048	0352069000	BALL BEARING		2	*	
048-1	352069000K	BALL BEARING 6900	O	2		
049	0282022000	INNER SNAP RING		1	*	
049-1	282022000K	SNAP RING (INNER) R22	O	1		
050	0023500434	GEAR		1	*	

050-1	023500434A	BEVEL GEAR	O	1		
051	0280006000	CLIP		1	*	
051-1	280006000K	STOP RING ETW6	O	1		
052	0196114004	PACKING		1	*	
052-1	196114004A	PACKING	O	1		
053	0196113004	PLATE		1	*	
053-1	196113004A	PLATE	O	1		
054	0016040080	SCREW ASSEMBLY		2	*	
054-1	016040080K	SCREW M4X8	O	2		
055	0028200039	BLADE COVER		1	*	
055-1	028200039A	BLADE COVER	O	1	*	
055-2	028200049A	BLADE COVER	O	1		
056	0224144003	GUIDE PLATE		1	*	
056-1	224144003A	GUIDE PLATE	O	1		
057	819312-8	MAKITA LOGO LABEL		1		
058	893516-0	CAUTION LABEL		1		
059	424434-7	CAP 24		1		
060	141106-6	SHAFT PIPE A COMPLETE		1	*	
060-1	141106-6	SHAFT PIPE A COMPLETE	O	1		
C10	141188-8	BUSH COMPLETE		4		
061	326088-5	SHAFT A		1		
062	961003-8	RETAINING RING S-7		1		
A01	781042-0	WRENCH 8-10		1		
F05	195732-3	HEDGE TRIMMER ATTACHMENT SET		1		

Please state Parts No. when your order.

Print Date 13. 01. 2025