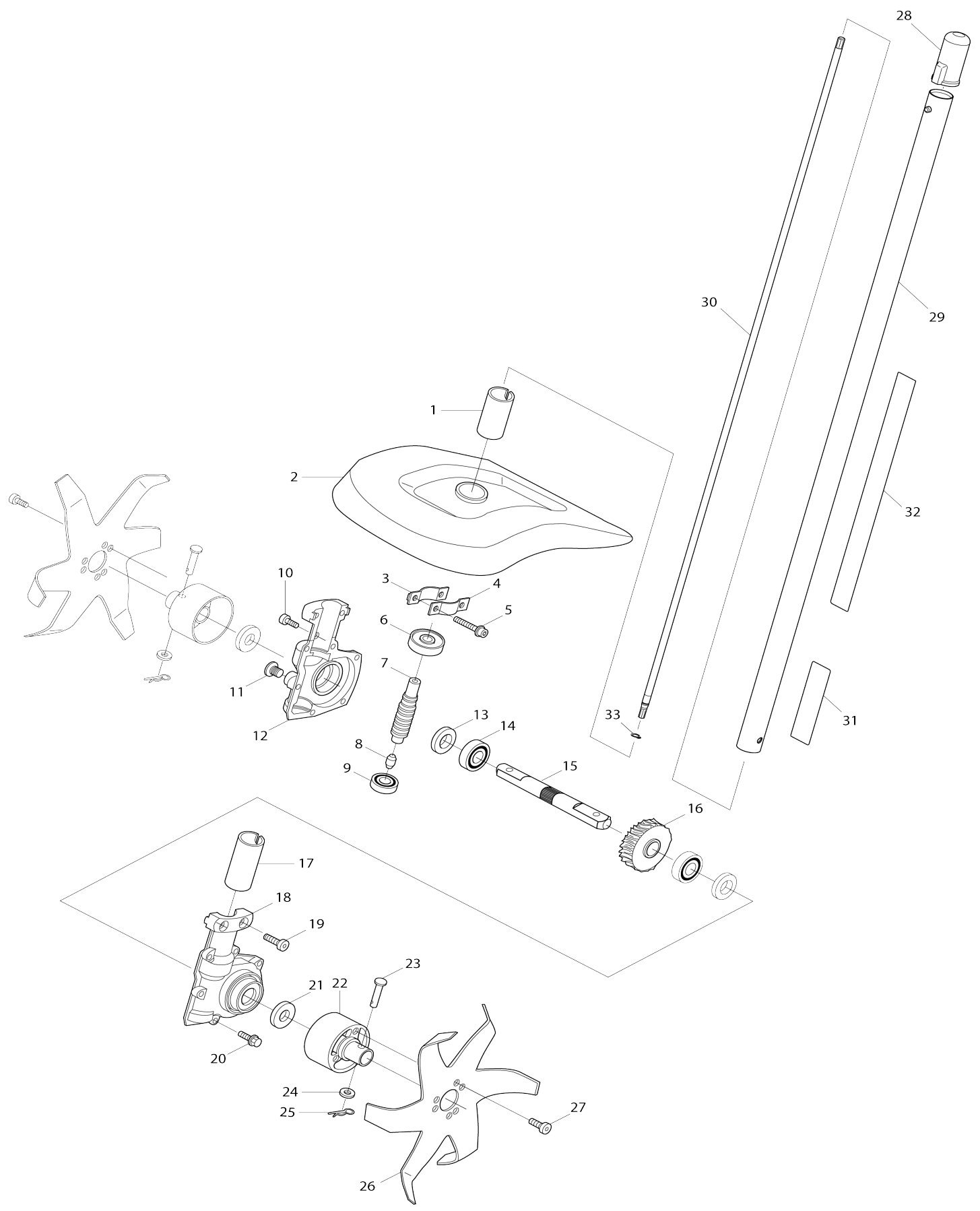


Model No.KR400MP CULTIVATOR ATTACHMENT



Model No.KR400MP CULTIVATOR ATTACHMENT

Item No.	Parts No.	Description	Interchangeability	Q'ty	New/Old	Note1	Note2
001	328145600N	COVER SLEEVE		1	*		
001-1	XNR0000506	COVER SLEEVE	S	1	*		
001-2	XNR0000443	COVER SLEEVE	O	1			
002	328145100N	BLADE COVER		1	*		
002-1	XNR0000441	BLADE COVER	O	1			
003	311030200N	CLAMPING COLLAR		1	*		
003-1	XNR0000436	CLAMPING COLLAR	O	1			
004	311030300N	GUARD CLAMP B		1	*		
004-1	XNR0000487	GUARD CLAMP B	O	1			
005	065063000N	TORX BOLT M6X30		2	*		
005-1	XNR0000507	HEX.SOCKET HEAD BOLT M6X45	S	2	*		
005-2	XNR0000006	BOLT M6X45	O	2			
006	035630102C	BALL BEARING #6301ZZ		1	*		
006-1	XNR0000060	BALL BEARING #6301ZZ	O	1			
007	328130400N	WORM		1	*		
007-1	XNR0000439	WORM	O	1			
008	312910500N	PLUG		1	*		
008-1	XNR0000484	PLUG	O	1			
009	035600102C	BALL BEARING #6001ZZ		1	*		
009-1	XNR0000052	BALL BEARING #6001ZZ	O	1			
010	065051000N	TORX BOLT M5X10		1	*		
010-1	XNR0000094	TORX BOLT M5X10	O	1			
011	090181000N	PLUG		1	*		
011-1	XNR0000123	PLUG	O	1			
012	329830200N	WORM CASE B		1	*		
012-1	XNR0000452	WORM CASE B	O	1			
013	039173007N	OIL SEAL		2	*		
013-1	XNR0000063	OIL SEAL	O	2			
014	035600302C	BALL BEARING #6003ZZ		2	*		
014-1	XNR0000055	BALL BEARING #6003ZZ	O	2			
015	329830600N	SHAFT		1	*		
015-1	XNR0000454	SHAFT	O	1			
016	329830500N	WHEEL		1	*		
016-1	XNR0000453	WHEEL	O	1			
017	328133000N	CASE SLEEVE		1	*		
017-1	XNR0000485	CASE SLEEVE	O	1			
018	329830100N	WORM CASE		1	*		
018-1	XNR0000451	WORM CASE	O	1			
019	065061800N	TORX SCREW M6X18		2	*		
019-1	XNR0000113	TORX SCREW M6X18	O	2			
020	028516263N	BOLT M5X16		6	*		
020-1	XNR0000021	BOLT M5X16	O	6	*		
020-2	XNR0000509	BOLT M5X16	O	6			
021	031160002N	PLAIN WASHER		2	*		
021-1	XNR0000481	PLAIN WASHER	O	2			
022	329820100N	HUB		2	*		
022-1	XNR0000486	HUB	O	2			

023	329820300N	PIN		2	*		
023-1	XNR0000475	PIN (8X30)	O	2			
024	031080001N	WASHER 8 (SMALL)		2	*		
024-1	XNR0000471	WASHER 8 (SMALL)	O	2			
025	051081600N	PIN R		2	*		
025-1	XNR0000472	PIN R	O	2			
026	311020200N	ROTOR		2	*		
026-1	XNR0000435	ROTOR	O	2			
027	065061200N	TORX BOLT M6X12		6	*		
027-1	XNR0000109	TORX BOLT M6X12	O	6			
028	424434-7	CAP 24		1			
029	141106-6	SHAFT PIPE A COMPLETE		1	*		
029-1	141106-6	SHAFT PIPE A COMPLETE	O	1	*		
C10	141188-8	BUSH COMPLETE		4	*		
029-2	141E42-6	SHAFT PIPE A COMPLETE	<	1			
C10	141188-8	BUSH COMPLETE		4			
030	326088-5	SHAFT A		1			
031	819312-8	MAKITA LOGO LABEL		1			
032	893518-6	Caution label		1			
033	961003-8	RETAINING RING S-7		1			
034	XNR0000508	HARD LOCK RIM M6	S	2	*		
034-1	XNR0000044	NUT M6	O	2			
E01	8012A6-8	CAUTION LABEL		1			

Please state Parts No. when your order.

Print Date 13. 01. 2025