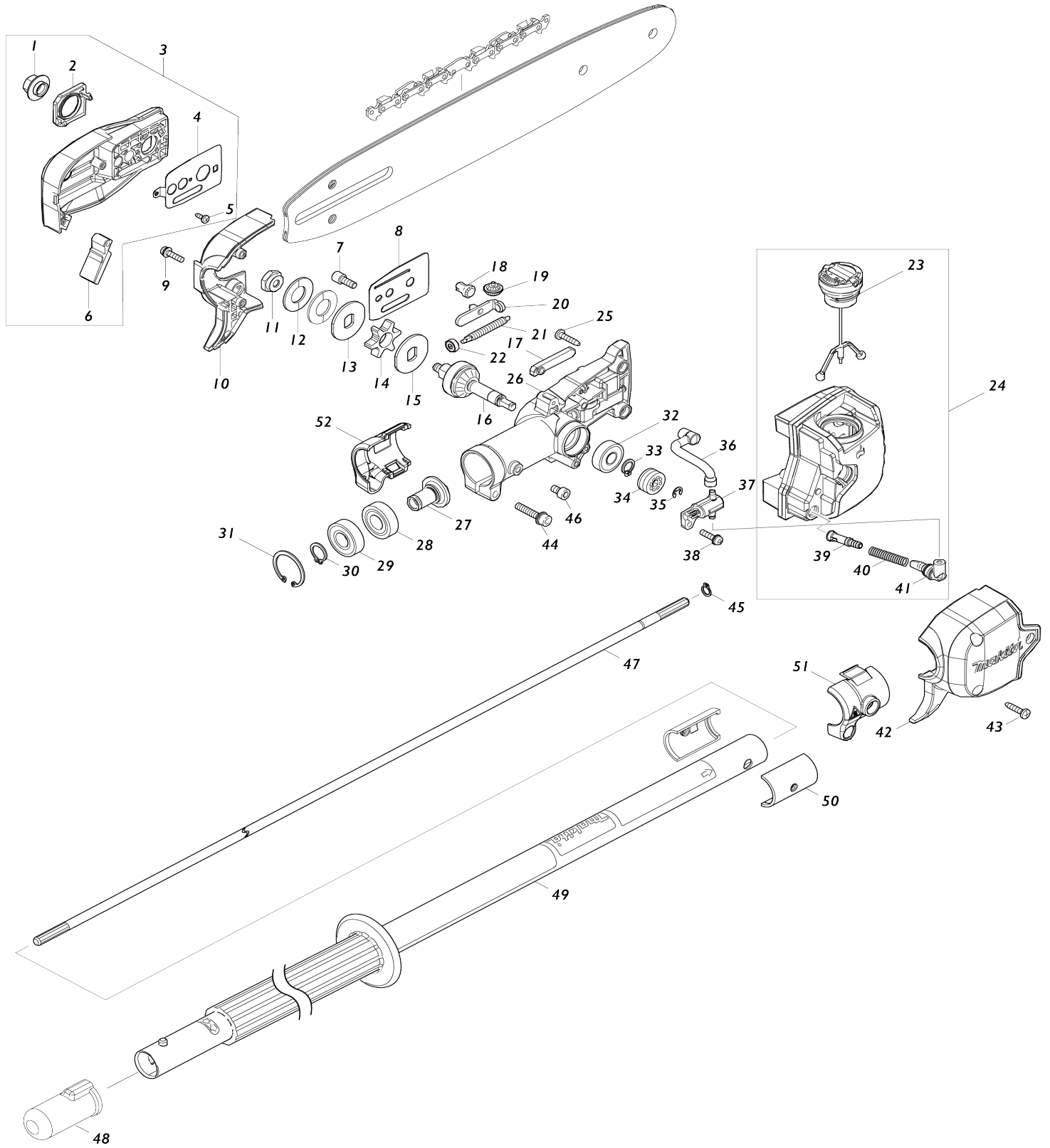


Model No.EY403MP POLE SAW ATTACHMENT



Model No.EY403MP POLE SAW ATTACHMENT

Item No.	Parts No.	Description	Interchangability	Q'ty	New/Old	Note1	Note2
001	162494-8	FLANGE NUT COMPLETE		1			
002	412638-3	NUT COVER		1			
003	136373-6	SPROCKET COVER ASSY		1			
003		INC. 1,2,4-6					
004	347707-0	GUIDE PLATE L		1			
005	265954-0	TAPPING SCREW BIND PT3X8		1			
006	422599-9	CHIP GUIDE		1			
007	266905-6	H.L. SOCKET HEAD BOLT M5X12		1			
008	347708-8	GUIDE PLATE R		1			
009	911128-8	P.H.SCREW M4X16 WITH WR		2			
010	183P83-2	GEAR CASE HOUSING SET		1			
010		INC. 42					
011	252291-1	HEX. NUT M6		1			
012	232626-2	CORNED DISK SPRING 14		2			
013	347705-4	LOCK WASHER 12		1			
014	226992-7	SPROCKET 6		1			
015	347705-4	LOCK WASHER 12		1			
016	140V32-8	SPINDLE COMPLETE		1			
017	422602-6	GROMET		1			
018	227620-7	DRIVE GEAR 14		1			
019	227634-6	STRAIGHT BEVEL GEAR 14		1			
020	347706-2	TENSION SLIDE		1			
021	327606-2	ADJUST SCREW		1			
022	227496-2	STRAIGHT BEVEL GEAR 14		1			
023	126832-8	TANK CAP ASSEMBLY		1			
C10	213894-6	O-RING 25		1	*		
C11	213A11-4	O-RING 25	O	1			
024	136372-8	OIL TANK ASSEMBLY		1	*		
024		INC. 23,39-41			*		
024-1	137016-3	OIL TANK ASSEMBLY	<	1			
024-1		INC. 23,39-41					
025	266326-2	TAPPING SCREW 4X18		3			
026	136301-1	GEAR CASE ASSEMBLY		1	*		
C10	213437-4	O RING 28		1	*		
026-1	137017-1	GEAR CASE ASS'Y	<	1			
C10	213437-4	O RING 28		1			
027	227900-1	SPIRAL BEVEL GEAR 18		1			
028	211131-2	BALL BEARING 6001DDW		1			
029	211148-5	BALL BEARING 6001ZZ		1			
030	961052-5	RETAINING RING (EXT) S-12		1			
031	962106-1	RETAINING RING R-28		1			
032	211491-2	BALL BEARING 609DDW		1			
033	961005-4	RETAINING RING S-9		1			
034	226884-0	WORM GEAR		1			
035	961011-9	STOP RING E-4		1			
036	422600-0	OIL TUBE 3-70		1			
037	140U04-7	OIL PUMP COMPLETE		1	*		

037-1	141N25-0	OIL PUMP COMPLETE	O	1		
038	911128-8	P.H.SCREW M4X16 WITH WR		1		
039	452666-6	NIPPLE		1		
040	231975-4	SPRING		1		
041	422601-8	OIL TUBE 3-14		1		
042	183P83-2	GEAR CASE HOUSING SET		1		
042		INC. 10				
043	266326-2	TAPPING SCREW 4X18		3		
044	922243-3	HEX. SOCKET HEAD BOLT M5X25		1		
045	961003-8	RETAINING RING S-7		1		
046	922202-7	HEX. SOCKET HEAD BOLT M5X8		1		
047	327828-4	SHAFT A		1		
048	424434-7	CAP 24		1		
049	141D30-7	GRIP PIPE COMPLETE DE		1	*	
C10	163525-6	LEAF SPRING COMPLETE		1	*	
C20	819312-8	MAKITA LOGO LABEL		1	*	
C30	8034J8-5	CAUTION LABEL		1	*	
C40	808723-2	CAUTION LABEL		1	*	
049-1	1411U9-7	GRIP PIPE COMPLETE DE	<	1		
C10	163525-6	LEAF SPRING COMPLETE		1		
C20	819312-8	MAKITA LOGO LABEL		1		
C30	8034J8-5	CAUTION LABEL		1		
C40	808723-2	CAUTION LABEL		1		
050	312A03-1	SLEEVE 28		2		
051	183R91-5	GEAR CASE COVER SET		1		
051		INC. 52				
052	183R91-5	GEAR CASE COVER SET		1		
052		INC. 51				
A01	165245-8	GUIDE BAR 12		1		
A02	419288-5	CHAIN COVER		1	*	
A02-1	419288-5	CHAIN COVER	O	1		
A03	196740-7	SAW CHAIN SET		1	*	
A03-1	191H01-8	SAW CHAIN 12 SET	O	1		
A04	782023-7	WRENCH 13-16		1		
F01	191T38-7	300MM POLE SAW ATTACHMENT SET		1		
F06	191G14-3	GUIDE BAR 10 SET		1		
F07	191G15-1	GUIDE BAR 12 SET		1		
F08	191G22-4	GUIDE BAR 10 SET		1		
F09	191G23-2	GUIDE BAR 12 SET		1		
F11	196205-9	SAW CHAIN SET		1	*	
F11-1	191H08-4	SAW CHAIN 10 SET	O	1		
F12	196206-7	SAW CHAIN SET		1	*	
F13	196740-7	SAW CHAIN SET		1	*	
F13-1	191H01-8	SAW CHAIN 12 SET	O	1		
F14	199075-5	SAW CHAIN SET		1	*	

Please state Parts No. when your order.

Print Date 13. 01. 2025