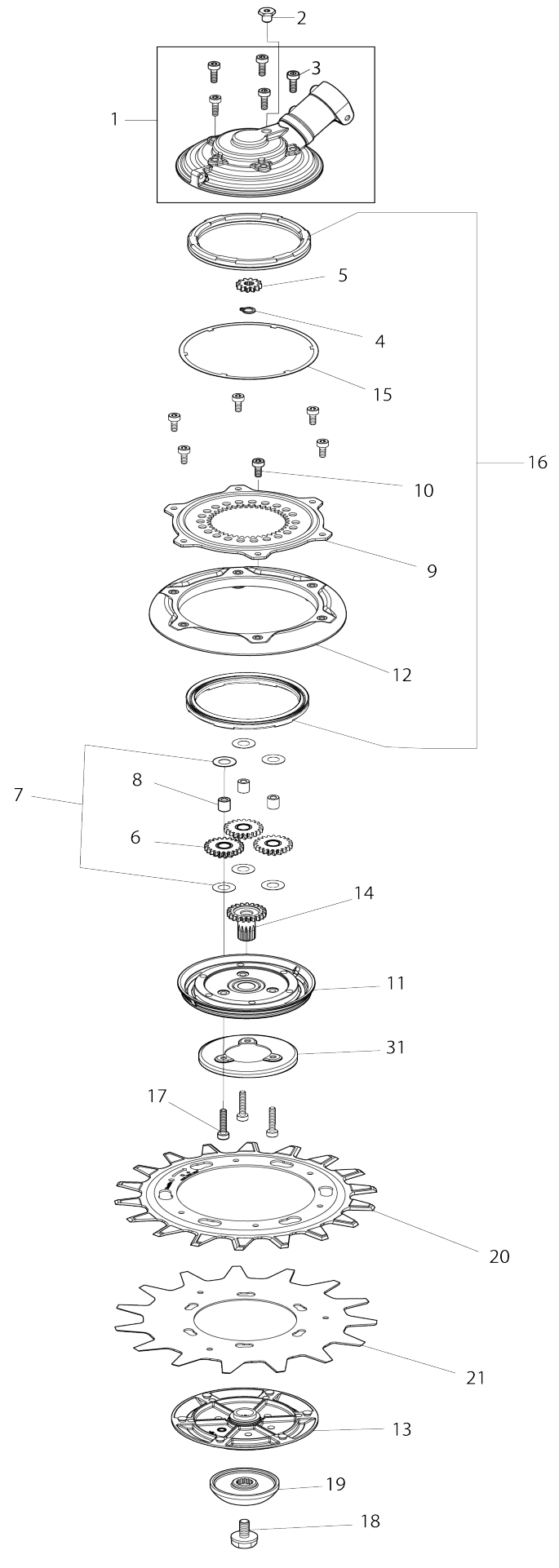
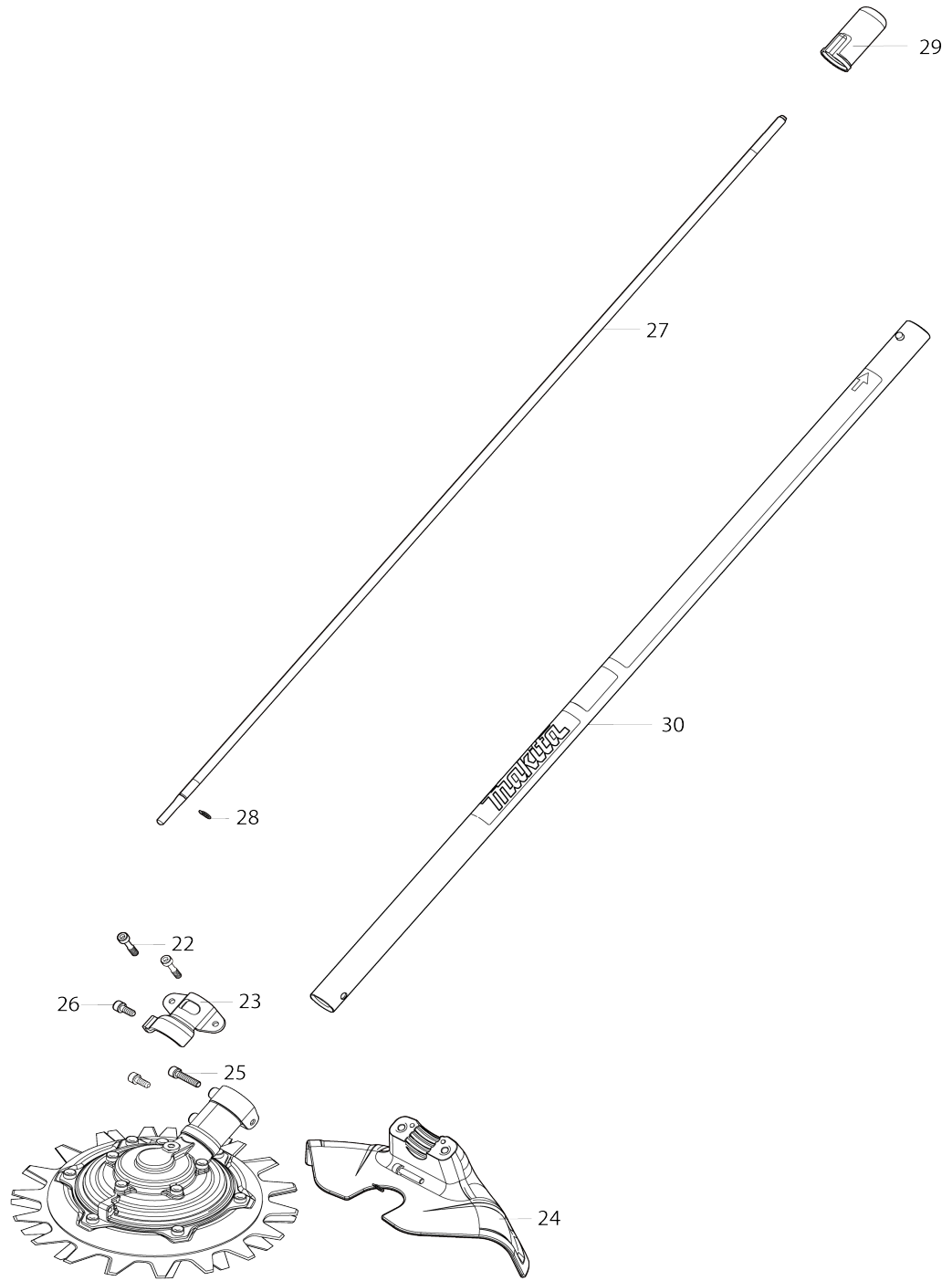


Model No.EM407MP ROTARY SCISSORS ATTACHMENT



Model No.EM407MP ROTARY SCISSORS ATTACHMENT



Model No.EM407MP ROTARY SCISSORS ATTACHMENT

Item No.	Parts No.	Description	Interchangability	Q'ty	New/Old	Note1	Note2
001	SY00146002	CASE A		1			
001		INC. 3					
002	SY00146003	PLUG(GREASE CAP)		1			
003	SY00146006	BOLT M5X15		5			
004	SY00146007	SNAP RING (S-9)		1			
005	SY00146016	SUN GEAR A		1			
006	SY00146008	PLANETARY GEAR ASSY		3	*		
006-1	SY00146008	PLANETARY GEAR ASSY	O	1			
007	SY00146009	WASHER		6			
008	SY00146010	COLLAR		3			
009	SY00146011	INTERNAL GEAR		1			
010	SY00146012	BOLT M5X10		6			
011	SY00000628	CASE C ASSY		1			
012	SY00000629	UPPER BLADE HOLDER ASSY		1			
013	SY00000630	LOWER BLADE HOLDER ASSY		1			
014	SY00000633	SUN GEAR B		1			
015	SY00000634	STAINLESS PLATE		1			
016	SY00000635	OIL SEAL		2	*		
016-1	SY00000635	OIL SEAL	O	1			
017	SY00000636	BOLT M5X25		3	*		
017-1	SY00000636	BOLT M5X25	O	1			
018	SY00000637	BOLT M8		1			
019	SY00146015	GROUND COVER(SPLINE SPEC,)		1			
020	SY00146013	UPPER BLADE(BULK)		1			
021	SY00146014	LOWER BLADE(BULK)		1			
022	251513-6	H.S.H.BOLT M5X25		2			
023	347107-4	PROTECTOR CLAMP 24		1			
024	412999-1	PROTECTOR 230		1			
025	922241-7	HEX. SOCKET HEAD BOLT M5X25		1			
026	922216-6	H.S.H.BOLT M5X14 WITH W		2			
027	326088-5	SHAFT A		1			
028	961003-8	RETAINING RING S-7		1			
029	424434-7	CAP 24		1			
030	140X92-2	SHAFT PIPE COMPLETE H		1			
C10	8023N3-4	CAUTION LABEL		1			
C20	8026F1-0	CAUTION LABEL		1			
C30	819312-8	MAKITA LOGO LABEL		1			
C40	8023N9-2	CAUTION LABEL		1	*		
031	347874-1	CUP		1			
A01	456924-2	TOOL COVER		1			
A02	783018-3	BOX DRIVER		1			
A03	783202-0	HEX. WRENCH 4		1			
F01	191M56-3	ROTARY SCISSORS ATTACH SET H		1			
F03	191M75-9	ROTARY SCISSORS SET E		1			

Please state Parts No. when your order.

Print Date 13. 01. 2025