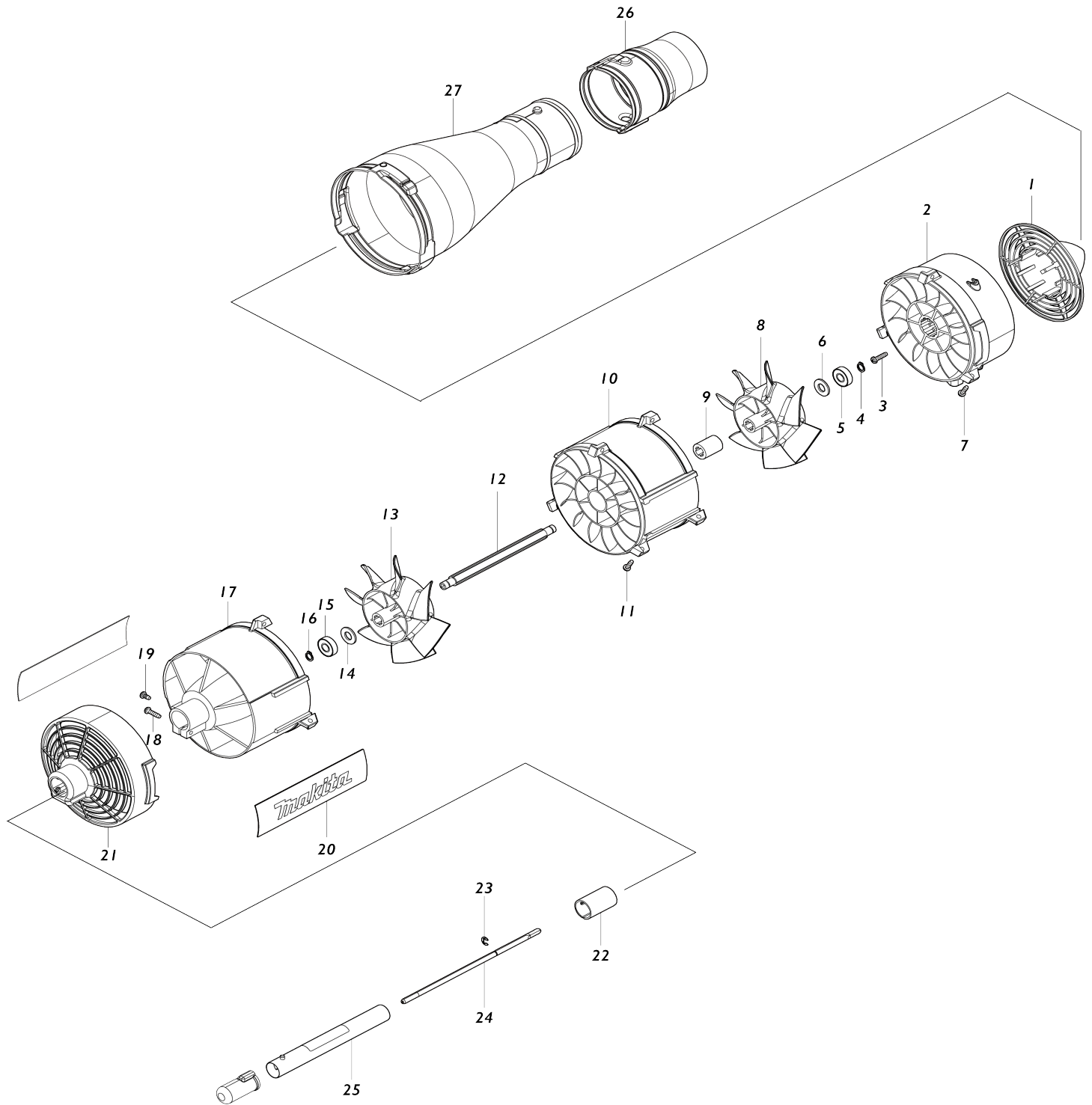


Model No.UB400MP BLOWER ATTACHMENT



Model No.UB400MP BLOWER ATTACHMENT

Item No.	Parts No.	Description	Interchangability	Q'ty	New/Old	Note1	Note2
001	XNR0000554	FRONT CAP		1			
002	XNR0000555	HOUSING A		1			
003	265A95-8	TAPPING SCREW 5X20		1			
004	XNR0000564	RETAINING RING S10		1			
005	XNR0000563	BALL BEARING 6000LL		1			
006	XNR0000562	WASHER		1			
007	XNR0000566	TAPPING SCREW 5X16		3			
008	XNR0000559	FAN		1			
009	XNR0000561	SPACER		1			
010	XNR0000556	HOUSING B		1			
011	XNR0000566	TAPPING SCREW 5X16		3			
012	XNR0000560	FAN SHAFT		1			
013	XNR0000559	FAN		1			
014	XNR0000562	WASHER		1			
015	XNR0000563	BALL BEARING 6000LL		1			
016	XNR0000564	RETAINING RING S10		1			
017	XNR0000557	HOUSING C		1			
018	265A95-8	TAPPING SCREW 5X20		1			
019	265A94-0	TAPPING SCREW 5X10		1			
020	XNR0000565	MAKITA LOGO PLATE		2			
021	XNR0000558	REAR COVER		1			
022	XNR0000567	COLLAR		1	*		
022-1	XNR0000569	COLLAR	O	1			
023	961012-7	STOP RING E-6		1			
024	327415-9	SHAFT		1			
025	140S73-6	SHAFT PIPE COMPLETE C		1			
C10	8008K0-3	CAUTION LABEL		1			
026	459820-3	NOZZLE		1			
027	459821-1	ADAPTER A		1			
A01	424434-7	CAP 24		1			
E01	8008K2-9	SOUND LABEL		1	*		
E01-1	8008K2-9	SOUND LABEL	<	1	*		
E01-2	8008K2-9	SOUND LABEL	O	1			
F01	191F65-0	UB400MP BLOWER ATTACHM. SET		1			
F02	191C15-7	ADAPTER PIPE SET MG		1			
F03	197888-8	EXTENSION NOZZLE SET		1			
F04	197889-6	FLAT NOZZLE SET		1			
F05	191B03-8	GUTTER NOZZLE SET		1			
C10	459816-4	EXTENSION PIPE 72		3			
C20	162790-4	END NOZZLE COMPLETE		1			
C30	281030-2	HOSE CLAMP 75-90		2			
C40	281031-0	HOSE CLAMP 85-100		1			

Please state Parts No. when your order.

Print Date 13. 01. 2025