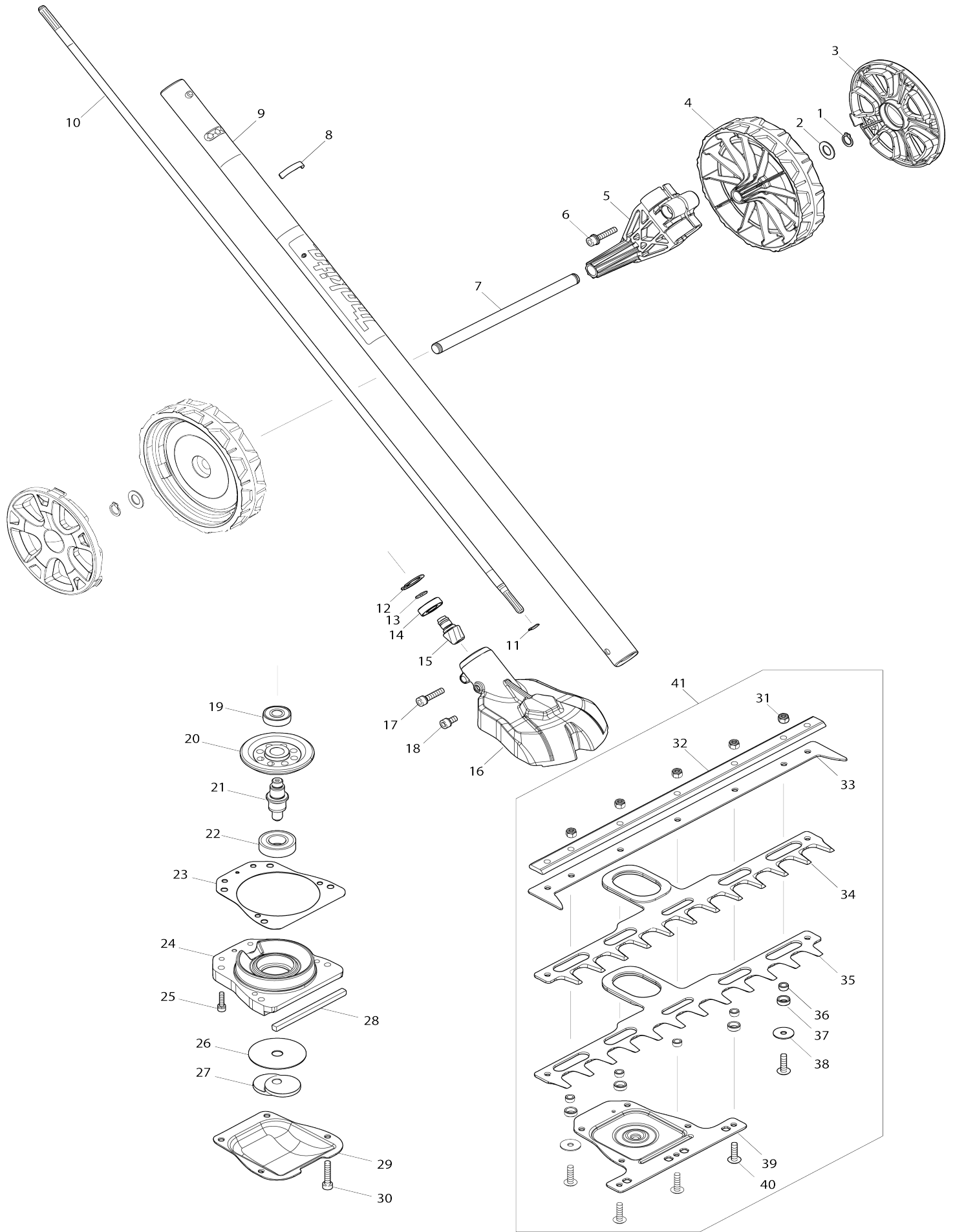


Model No.EN424MP GROUND TRIMMER ATTACHMENT



Model No.EN424MP GROUND TRIMMER ATTACHMENT

Item No.	Parts No.	Description	Interchangability	Q'ty	New/Old	Note1	Note2
001	961006-2	RETAINING RING S-10		2			
002	253828-7	FLAT WASHER 10		2			
003	413E01-3	CAP		2			
004	413D96-0	WHEEL 130		2			
005	413R36-2	WHEEL HOLDER		1			
006	922244-1	H.S.H.BOLT M5X25 WITH WG		1			
007	327C08-0	SHAFT 10		1			
008	814A82-0	DATE CODE LABEL		1			
009	141S19-5	SHAFT PIPE COMPLETE A		1			
C10	163525-6	LEAF SPRING COMPLETE		1			
C20	819312-8	MAKITA LOGO LABEL		1			
C30	808723-2	CAUTION LABEL		1			
C40	8068J6-2	CAUTION LABEL		1			
010	326798-4	SHAFT A		1			
011	961003-8	RETAINING RING S-7		1			
012	962102-9	RETAINING RING R-22		1			
013	961036-3	RETAINING RING WR-10		1			
014	210167-8	BALL BEARING 6900LLB		1			
015	227A88-3	SPIRAL BEVEL GEAR 11		1			
016	141S15-3	GEAR HOUSING COMPLETE		1			
017	922241-7	HEX. SOCKET HEAD BOLT M5X25		1			
018	922211-6	H.S.H.BOLT M5X12 WITH W		1			
019	211493-8	BALL BEARING 609DDW		1			
020	227A89-1	SPIRAL BEVEL GEAR 52		1			
021	327C06-4	SPINDLE		1			
022	211247-3	BALL BEARING 6002DDW		1			
023	422A36-9	GASKET		1			
024	141S16-1	GEAR HOUSING COVER COMPLETE		1			
025	922126-7	HEX. SOCKET HEAD BOLT M4X16		4			
026	347B34-7	FRICTION PLATE U		1			
027	327C07-2	CRANK		1			
028	422A37-7	DUST GUARD		1			
029	347B49-4	UNDER PLATE		1			
030	265D17-6	H.S.H.BOLT M5X25		4			
031	252331-5	HEX. LOCK NUT M5-8		5			
032	327C05-6	GUIDE BAR 330		1			
033	347B48-6	PLATE 330		1			
034	725319-3	SHEAR BLADE 330		1			
035	725319-3	SHEAR BLADE 330		1			
036	257A04-1	SLEEVE 5		5			
037	257A05-9	RING 8		4			
038	253558-0	FLAT WASHER 5		2			
039	347B47-8	GUIDE PLATE		1			
040	265D16-8	+TRUSS HEAD SCREW M5X18		5			
041	1912V6-6	SHEAR BLADE 330 SET		1			
C10	199450-5	GREASE VESSEL SET		1			
041		INC. 31-40					

A01	413R92-2	BLADE COVER 330		1			
A02	422A15-7	CAP 24		1			
A03	424434-7	CAP 24		2			
A04	783202-0	HEX. WRENCH 4		1			
F01	1913C9-3	EN424MP GROUND TRIMER SET A		1			

Please state Parts No. when your order.

Print Date 13. 01. 2025