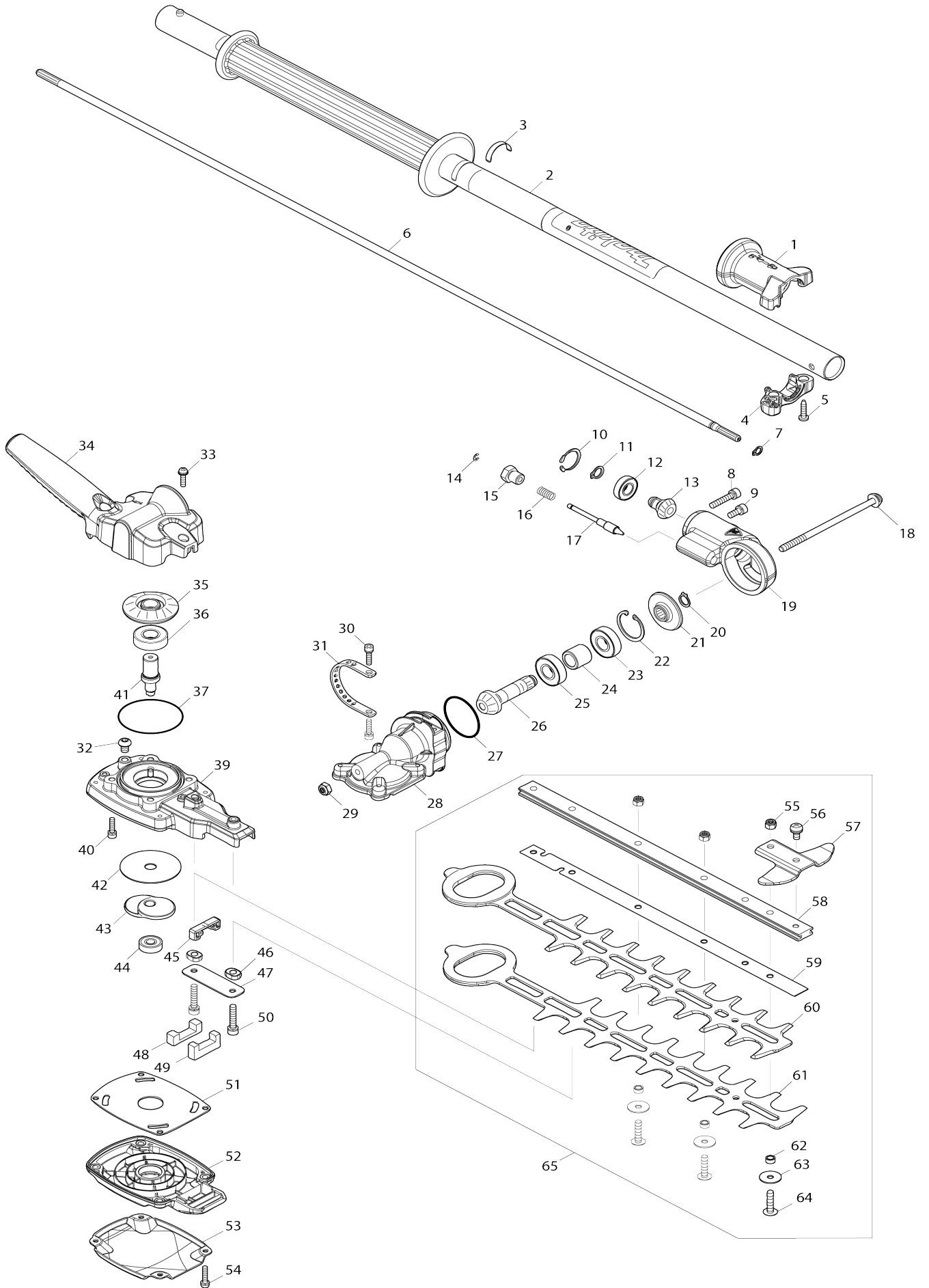


Model No.EN422MP GROUND TRIMMER ATTACHMENT



Model No.EN422MP GROUND TRIMMER ATTACHMENT

Item No.	Parts No.	Description	Interchangability	Q'ty	New/Old	Note1	Note2
001	413P43-3	SLIDE LEVER U		1			
002	141P94-3	GRIP PIPE COMPLETE B		1	*		
C10	163525-6	LEAF SPRING COMPLETE		1	*		
C20	819312-8	MAKITA LOGO LABEL		1	*		
C30	808723-2	CAUTION LABEL		1	*		
C40	8068G8-7	CAUTION LABEL		1	*		
002-1	141Y21-4	GRIP PIPE COMPLETE A	<	1			
C10	163525-6	LEAF SPRING COMPLETE		1			
C20	819312-8	MAKITA LOGO LABEL		1			
C30	808723-2	CAUTION LABEL		1			
C40	8068G8-7	CAUTION LABEL		1			
003	814A82-0	DATE CODE LABEL		1			
004	413P44-1	SLIDE LEVER L		1			
005	266326-2	TAPPING SCREW 4X18		2			
006	327723-8	SHAFT A		1			
007	961003-8	RETAINING RING S-7		1			
008	922241-7	HEX. SOCKET HEAD BOLT M5X25		1			
009	922211-6	H.S.H.BOLT M5X12 WITH W		1			
010	962112-6	RETAINING RING R-22		1			
011	961006-2	RETAINING RING S-10		1			
012	210167-8	BALL BEARING 6900LLB		1			
013	227A69-7	SPIRAL BEVEL GEAR 11		1			
014	961017-7	STOP RING E-3		1			
015	327B80-6	STOPPER HOLDER		1			
016	233201-7	COMPRESSION SPRING 6		1			
017	327B81-4	ROD 8		1	*		
017-1	327E37-5	ROD 8	S	1			
018	265D20-7	H.S BUTTON HEAD BOLT M6X110		1			
019	312E11-6	JOINT		1	*		
019-1	312H42-3	JOINT	S	1			
020	961006-2	RETAINING RING S-10		1			
021	227A70-2	SPIRAL BEVEL GEAR 25		1			
022	962106-1	RETAINING RING R-28		1			
023	210163-6	BALL BEARING 6001DDW		1			
024	327B79-1	SLEEVE 12		1			
025	210163-6	BALL BEARING 6001DDW		1			
026	227A71-0	SPIRAL BEVEL GEAR 15		1			
027	213506-1	O RING 36		1			
028	312E12-4	GEAR HOUSING		1			
029	252190-7	HEX.LOCK NUT M6-10		1			
030	922126-7	HEX. SOCKET HEAD BOLT M4X16		2			
031	347B10-1	ANGULAR PLATE		1			
032	265338-2	H.S.BOTTON HEAD BOLT M6X8		1			
033	911128-8	P.H.SCREW M4X16 WITH WR		2			
034	413P46-7	HANDLE		1			
035	227A72-8	SPIRAL BEVEL GEAR 31		1			
036	210163-6	BALL BEARING 6001DDW		1			

037	213641-5	O RING 51		1		
039	136987-1	CRANK HOUSING ASS'Y		1		
C10	263002-9	RUBBER PIN 4		1		
040	922126-7	HEX. SOCKET HEAD BOLT M4X16		4		
041	327B78-3	SPINDLE		1		
042	347B34-7	FRICTION PLATE U		1		
043	313471-5	CRANK		1		
044	210062-2	BALL BEARING 607ZZ		1		
045	413P97-0	DUST GUARD		1		
046	313470-7	SPACER		2		
047	347B33-9	LOWER PLATE		1		
048	422A85-6	SPONGE SEAL		1		
049	422A16-5	DUST GUARD		1		
050	922241-7	HEX. SOCKET HEAD BOLT M5X25		2		
051	347B35-5	FRICTION PLATE L		1		
052	413P45-9	UNDER COVER		1		
053	347B36-3	UNDER PLATE		1		
054	265D11-8	H.S.H.BOLT M4X18 WITH W		4		
055	264013-7	HEX. LOCK NUT M5-8		3		
056	911208-0	PAN HEAD SCREW M5X10		1		
057	347B11-9	TIP GUARD		1		
058	327B32-7	GUIDE BAR 250		1		
059	347B08-8	PLATE 250		1		
060	725317-7	SHEAR BLADE 250		1		
061	725317-7	SHEAR BLADE 250		1		
062	257900-7	SLEEVE 5		3		
063	253571-8	FLAT WASHER 5		3		
064	265D00-3	+TRUSS HEAD SCREW M5X22		3		
065	1912G2-9	SHEAR BLADE 250 SET		1		
C10	199450-5	GREASE VESSEL SET		1		
065		INC. 55-64				
A01	413P96-2	BLADE COVER 250		1		
A02	422A15-7	CAP 24		1		
A03	424434-7	CAP 24		2		
A04	783202-0	HEX. WRENCH 4		1		
F01	1912T0-4	EN422MP GROUND TRIM. ATTA. SET		1		

Please state Parts No. when your order.

Print Date 13. 01. 2025