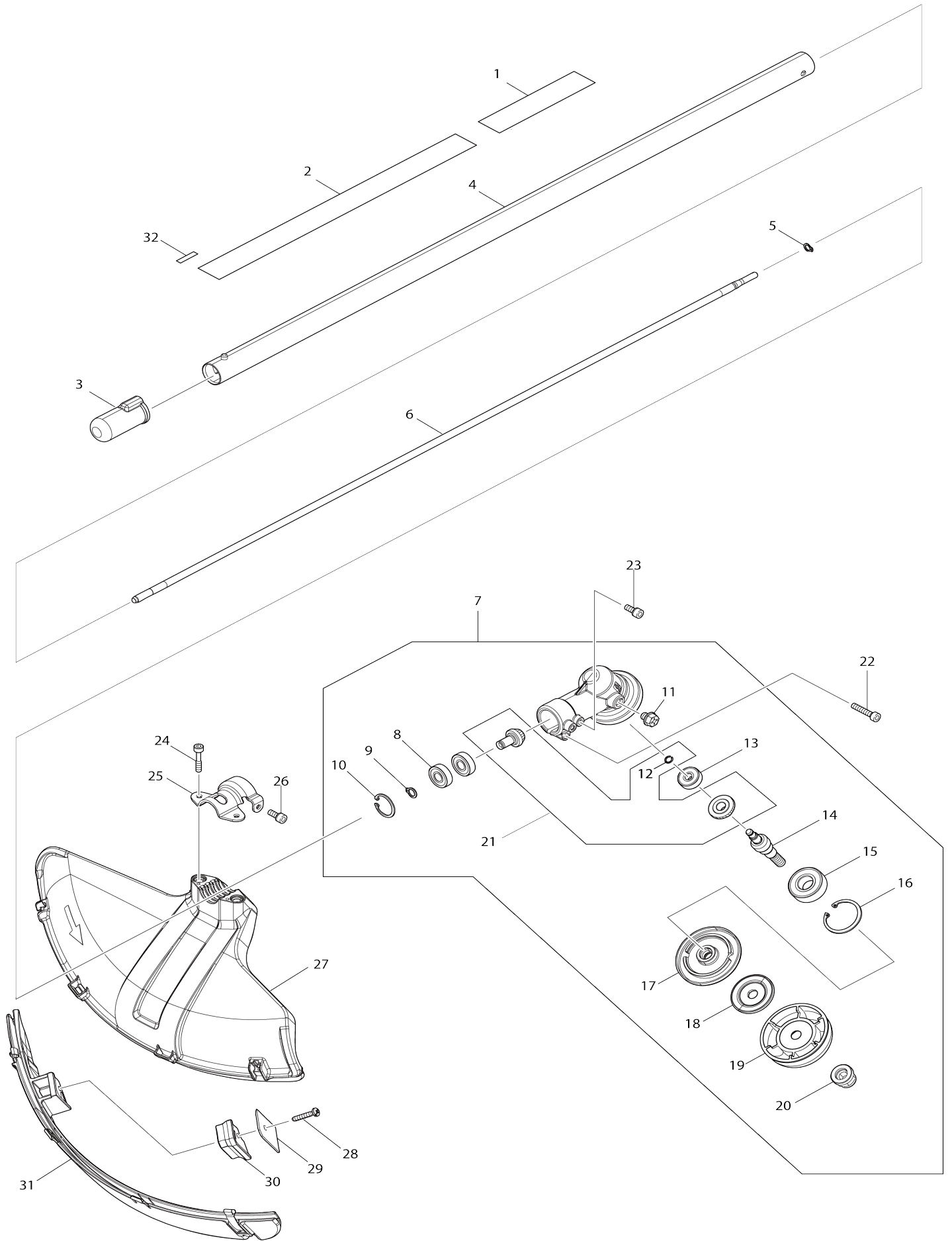


Model No.EM404MP BRUSHCUTTER ATTACHMENT



Model No.EM404MP BRUSHCUTTER ATTACHMENT

Item No.	Parts No.	Description	Interchangability	Q'ty	New/Old	Note1	Note2
001	819312-8	MAKITA LOGO LABEL		1			
002	813T40-7	CAUTION LABEL		1			
003	424434-7	CAP 24		1			
004	141010-9	SHAFT PIPE A COMPLETE		1			
005	961003-8	RETAINING RING S-7		1			
006	326088-5	SHAFT A		1	*		
006-1	327723-8	SHAFT A	O	1			
007	126604-1	GEAR CASE ASSEMBLY		1			
007		INC. 8-11,13-21					
008	210049-4	BALL BEARING 609ZZ		2			
009	257986-1	RETAINING RING (EXT) S-9		1			
010	257987-9	RETAINING RING (INT)R-24		1			
011	265590-2	+HEX.BOLT M8X10 WITH R		1			
012	232350-7	RING SPRING 6		1			
013	210030-5	BALL BEARING 627ZZ		1			
014	326854-0	CUTTER SHAFT		1	*		
014-1	326853-2	CUTTER SHAFT	S	1			
015	211228-7	BALL BEARING 6202DDW		1			
016	257432-4	RETAINING RING R-35		1			
017	144312-2	RECEIVE WASHER COMPLETE		1			
018	347105-8	CLAMP WASHER		1	*		
018-1	347104-0	CLAMP WASHER	S	1			
019	457290-0	CUP		1	*		
019-1	457274-8	CUP US	S	1			
020	252236-9	HEX. LOCK NUT M10-17		1			
021	183J08-0	SPIRAL BEVEL GEAR SET		1			
021		INC. 12					
022	922242-5	HEX. SOCKET HEAD BOLT M5X25		1			
023	922216-6	H.S.H.BOLT M5X14 WITH W		1			
024	251513-6	H.S.H.BOLT M5X25		2			
025	347107-4	PROTECTOR CLAMP 24		1			
026	922216-6	H.S.H.BOLT M5X14 WITH W		1			
027	457271-4	PROTECTOR U 450		1			
028	266553-1	TAPPING SCREW 5X30		1			
029	347115-5	CUTTER		1			
030	457794-2	CUTTER EXTENSION		1			
031	144316-4	PROTECTOR U EXT. 420-450 COMP		1			
C10	346696-6	HOOK		2			
C20	232284-4	LEAF SPRING		2			
032	814A82-0	DATE CODE LABEL		1			
A01	782238-6	BOX WRENCH 17		1			
B01	198889-9	PROTECTOR U 420 SET ME		1			
B01		INC. 27-31					
F03	198770-4	BRUSHCUTTER ATTACHMENT SET C		1			
F45	1915D7-6	TRIMMER HEAD 96-M10L SET		1			
F46	1914R6-0	TRIMMER HEAD ASSEMBLY 98-M		1			

		10L					
F47	1915D8-4	TRIMMER HEAD ASSEMBLY 98-M 10L		1			
F48	1914R8-6	TRIMMER HEAD ASSEMBLY 98-M 10L		1			

Please state Parts No. when your order.

Print Date 13. 01. 2025