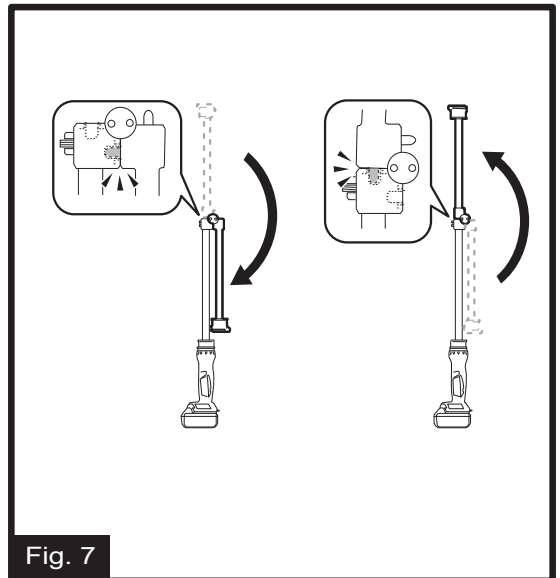
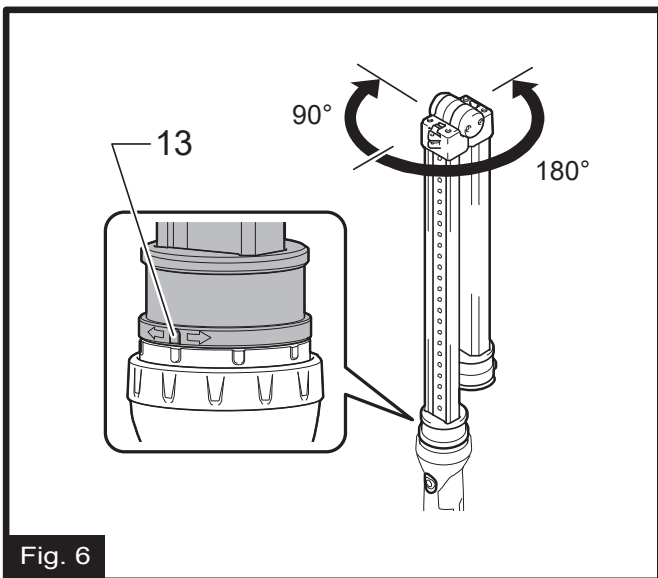
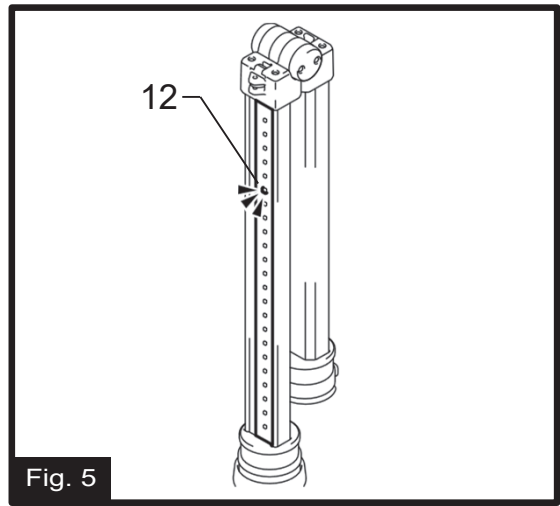
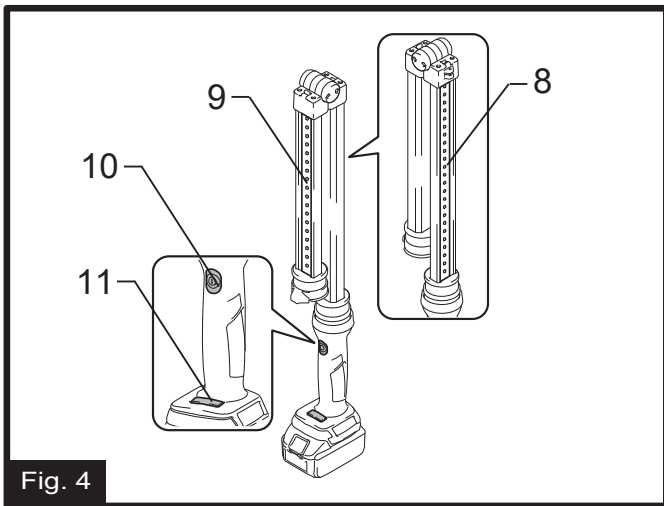
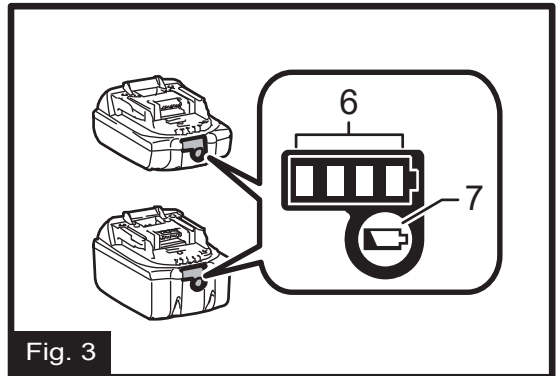
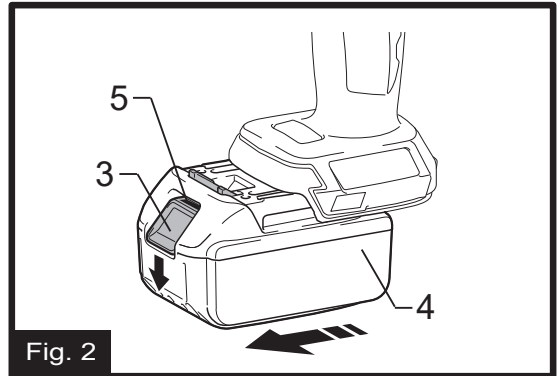
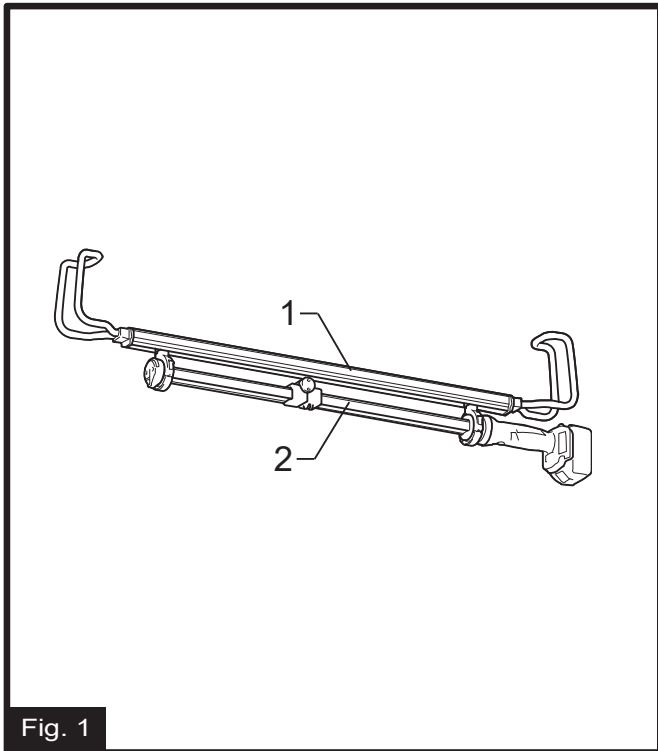
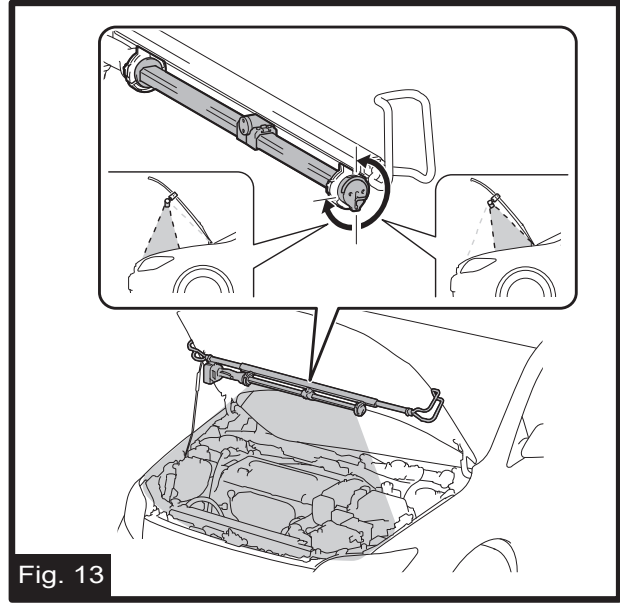
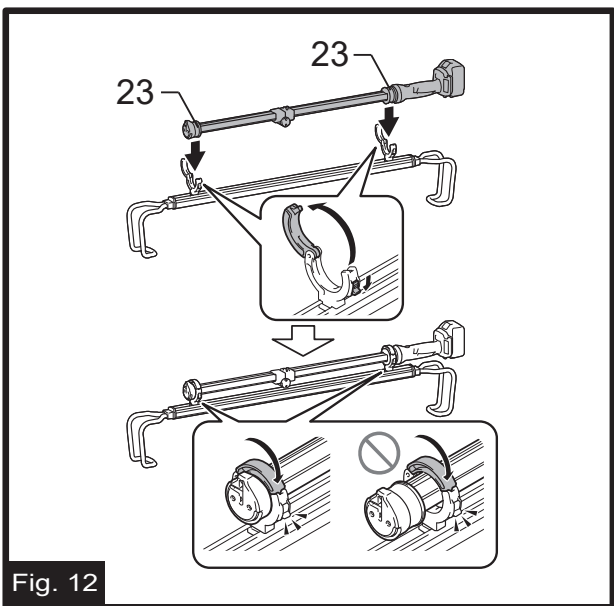
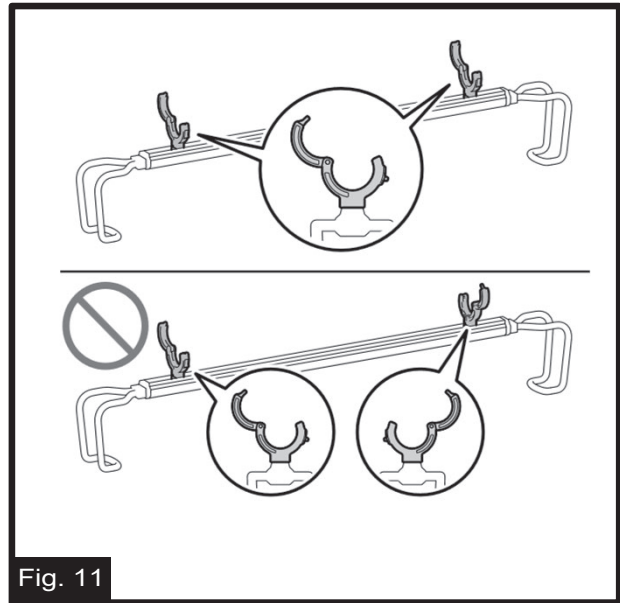
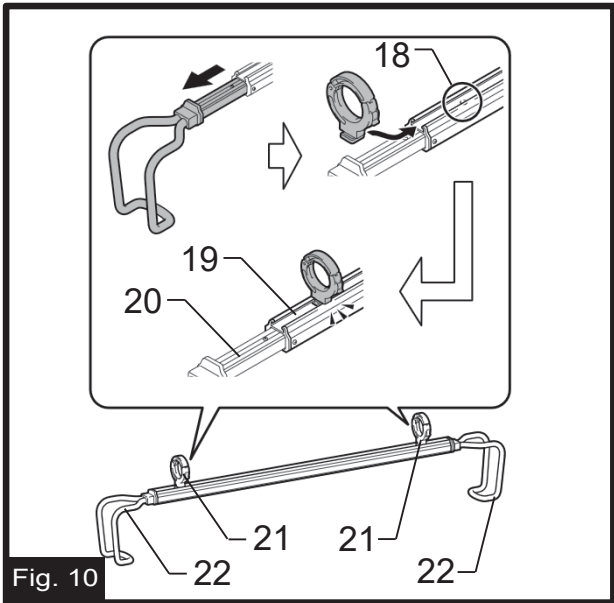
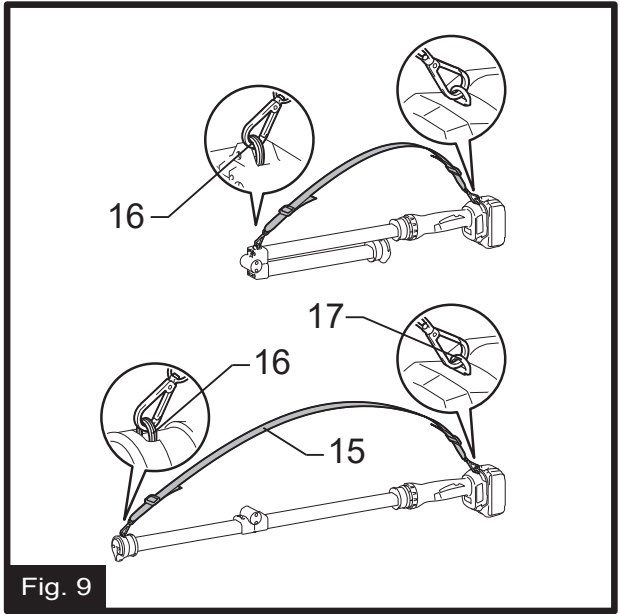
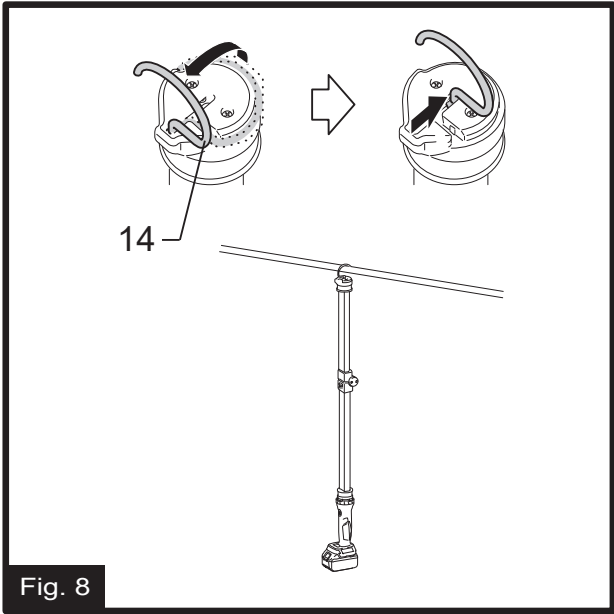


<b>EN</b>	<b>Cordless Bar Light</b>	<b>INSTRUCTION MANUAL</b>	<b>4</b>
<b>FR</b>	<b>Barre d'éclairage sans fil</b>	<b>MANUEL D'INSTRUCTION</b>	<b>9</b>
<b>DE</b>	<b>Akku-Stableuchte</b>	<b>BETRIEBSANLEITUNG</b>	<b>14</b>
<b>IT</b>	<b>Barra luminosa a batteria</b>	<b>ISTRUZIONI PER L'USO</b>	<b>19</b>
<b>NL</b>	<b>Snoerloze Balklamp</b>	<b>GEBRUIKSAANWIJZING</b>	<b>24</b>
<b>ES</b>	<b>Linterna de Barra Inalámbrica</b>	<b>MANUAL DE INSTRUCCIONES</b>	<b>29</b>
<b>PT</b>	<b>Lanterna LED a Bateria</b>	<b>MANUAL DE INSTRUÇÕES</b>	<b>34</b>
<b>DA</b>	<b>Trådløs lampe</b>	<b>BRUGSANVISNING</b>	<b>39</b>
<b>EL</b>	<b>Ασύρματο Φωτιστικό Μπάρας</b>	<b>ΕΓΧΕΙΡΙΔΙΟ ΟΔΗΓΙΩΝ</b>	<b>44</b>
<b>SV</b>	<b>Sladdlös barlampa</b>	<b>BRUKSANVISNING</b>	<b>49</b>
<b>NO</b>	<b>Trådløs lysrampe</b>	<b>BRUKSANVISNING</b>	<b>54</b>
<b>FI</b>	<b>Langaton Palkkivalo</b>	<b>KÄYTTÖOHJE</b>	<b>59</b>
<b>LV</b>	<b>Akumulatora garais lukturis</b>	<b>LIETOŠANAS INSTRUKCIJA</b>	<b>64</b>
<b>LT</b>	<b>Akumuliatorinis juostinis šviestuvus</b>	<b>NAUDOJIMO INSTRUKCIJA</b>	<b>69</b>
<b>ET</b>	<b>Akutoitel töökovalgusti</b>	<b>KASUTUSJUHEND</b>	<b>74</b>
<b>RU</b>	<b>Аккумуляторный фонарь подкапотный</b>	<b>РУКОВОДСТВО ПО ЭКСПЛУАТАЦИИ</b>	<b>79</b>
<b>PL</b>	<b>Akumulatorowa Lampa Warsztatowa LED</b>	<b>INSTRUKCJA OBSŁUGI</b>	<b>84</b>
<b>HU</b>	<b>Újratölthető sávfény</b>	<b>HASZNÁLATI KÉZIKÖNYV</b>	<b>89</b>
<b>SK</b>	<b>Bezdrôtové barové svetlo</b>	<b>NÁVOD NA OBSLUHU</b>	<b>94</b>
<b>CS</b>	<b>Bezdrátové barové světlo</b>	<b>NÁVOD K OBSLUZE</b>	<b>99</b>
<b>UK</b>	<b>Бездротова смуговий світильник</b>	<b>ІНСТРУКЦІЯ З ЕКСПЛУАТАЦІЇ</b>	<b>104</b>
<b>RO</b>	<b>Bară Led cu acumulator</b>	<b>MANUAL DE INSTRUCȚIUNI</b>	<b>109</b>
<b>SL</b>	<b>Brezžična svetlobna palica</b>	<b>NAVODILA ZA UPORABO</b>	<b>114</b>
<b>SQ</b>	<b>Drita e Shiritit pa Kabëll</b>	<b>MANUALI I PËRDORIMIT</b>	<b>119</b>
<b>BG</b>	<b>Безжична бар светлина</b>	<b>РЪКОВОДСТВО ЗА ЕКСПЛОАТАЦИЯ</b>	<b>124</b>
<b>HR</b>	<b>Bežična LED svjetiljka</b>	<b>PRIRUČNIK S UPUTAMA</b>	<b>129</b>
<b>MK</b>	<b>Светилка без кабел</b>	<b>УПАТСТВО ЗА УПОТРЕБА</b>	<b>134</b>
<b>SR</b>	<b>Бежична LED лампа</b>	<b>УПУТСТВО ЗА УПОТРЕБУ</b>	<b>139</b>
<b>TR</b>	<b>Kordonsuz Çubuk Işığı</b>	<b>KULLANMA KILAVUZU</b>	<b>144</b>
<b>ZHTW</b>	<b>充電式直形工作燈</b>	<b>使用說明書</b>	<b>149</b>





## ENGLISH (Original instructions)

1	Telescopic hook	2	LED light bar	3	Button	4	Battery cartridge	5	Red indicator	6	Indicator lamp	7	Check button	8	Fixed light part (LED-24 pcs)
9	Foldable light part (LED-18 pcs)	10	Switch	11	Mode selector	12	Low battery indicator	13	Movable part	14	Metal hook	15	Strap	16	Ring
17	Strap hole	18	Carrier clip positioning hole	19	Main bar	20	Inner bar	21	Carrier clip	22	Holder hook	23	Clipped position		

## SPECIFICATIONS

Model:		DML818
Light	Luminous flux (H/M/L)	1,700 lm /800 lm /400 lm
	Dimensions (L × W × H) (without battery cartridge)	975 mm × 80 mm × 101 mm
	Rated voltage	D.C. 14.4 V / 18 V
	Net weight (without battery cartridge)	1.1 kg
Telescopic hook	Dimensions (L × W × H) (with clips)	1,181 mm × 99 mm × 259 mm
	Net weight (with clips)	1.5 kg
	Available width *	1,130 mm - 1,900 mm

- Specifications may differ from country to country.
- Due to our continuing program of research and development, the specifications herein are subject to change without notice.
- \* Actual available width may differ depending on the location and shape.

## Applicable battery cartridge and charger

Battery cartridge	14.4 V	BL1415N / BL1430B / BL1440 / BL1460B
	18 V	BL1815N / BL1820B / BL1830B / BL1840B / BL1850B / BL1860B
Charger	DC18RC / DC18RD / DC18RE / DC18SD / DC18SE / DC18SF / DC18SH / DC18WC	

- Some of the battery cartridges listed above may not be available depending on your region of residence.

**⚠ WARNING: Only use the battery cartridges listed above.** Use of any other battery cartridges may cause injury and/or fire.

## Operating time

Applicable battery cartridge	Operating time (Approximately)		
	Whole light (LED-42 pcs)		
	High	Medium	Low
BL1415N	1.0 hours	2.2 hours	4.0 hours
BL1430B	1.6 hours	3.5 hours	7.0 hours
BL1440	2.6 hours	5.5 hours	11 hours
BL1460B	3.3 hours	7.0 hours	15 hours
BL1815N	1.3 hours	2.8 hours	5.5 hours
BL1820B	1.7 hours	3.5 hours	7.5 hours
BL1830B	2.4 hours	5.0 hours	10 hours
BL1840B	3.0 hours	7.0 hours	15 hours
BL1850B	4.0 hours	9.5 hours	19 hours
BL1860B	5.0 hours	11 hours	23 hours

- The operating times in the above table are a rough guideline. They may differ from actual operating times.
- Battery cartridge may differ from country to country.
- Operating times may differ depending on battery type, charging status, and usage condition.

## Symbols

The following show the symbols which may be used for the equipment. Be sure that you understand their meaning before use.



- Read instruction manual.



- Only for EU countries Due to the presence of hazardous components in the equipment, waste electrical and electronic equipment, accumulators and batteries may have a negative impact on the environment and human health. Do not dispose of electrical and electronic appliances or batteries with household waste! In accordance with the European Directive on waste electrical and electronic equipment and on accumulators and batteries and waste accumulators and batteries, as well as their adaptation to national law, waste electrical equipment, batteries and accumulators should be stored separately and delivered to a separate collection point for municipal waste, operating in accordance with the regulations on environmental protection. This is indicated by the symbol of the crossed-out wheeled bin placed on the equipment.



- Optical Radiation (UV and IR). Minimize exposure to eyes or skin.



- Do not stare at operating lamp.



- Use appropriate shielding or eyes protection.



- Take particular care and attention!



- For indoor use only

## IMPORTANT SAFETY INSTRUCTIONS

### **WARNING:**

To reduce the risk of injury, do not stare at operating appliances. Serious eye injury could occur.

### **CAUTION:**

When using appliances, basic safety precautions should always be followed to reduce the risk of fire, electric shock, and personal injury, including the following:

## READ ALL INSTRUCTIONS.

1. To reduce the risk of injury, close supervision is necessary when the appliance is used near children.
2. To reduce the risk of electrical shock, do not put the appliance in water or other liquid. Do not place or store the appliance where it can fall or be pulled into a tub or sink.
3. Do not cover the appliance with cloth or carton, etc. Otherwise it may cause a flame.
4. Do not touch the inside of the appliance with tweezers, metal tools, etc.
5. Do not expose the appliance to rain or snow. Do not wash it in water.
6. Do not touch the inside of the appliance with tweezers, metal tools, etc.
7. Do not contact hot parts.
8. When the appliance is not in use, always switch off and remove the battery cartridge from the appliance.
9. Do not give the appliance a shock by dropping, striking, etc.
10. Only use attachments recommended or sold by the manufacturer.
11. Store product indoors when not in use. Keep out of reach of children.
12. Safety information for portable luminaires with batteries.
  - Battery disposal should be in compliance with your local regulations that address the disposal of hazardous materials.
  - Do not incinerate the battery.
13. Additional information for luminaires.
  - The light source of this luminaire is not replaceable; when the light source reaches its end of life the whole luminaire shall be replaced.
14. Battery tool use and care.
  - **WARNING:** Read all safety warnings and instructions. Failure to follow the warnings and instructions may result in electric shock, fire and/or serious injury.
  - Prevent unintentional starting. Ensure the switch is in the off-position before connecting to battery pack, picking up or carrying the appliance. Carrying the appliance with your finger on the switch or energizing appliance that have the switch on invites accidents.
  - Disconnect the battery pack from the appliance before making any adjustments, changing accessories, or storing appliance. Such preventive safety measures reduce the risk of starting the appliance accidentally.
  - Recharge only with the charger specified by the manufacturer. A charger that is suitable for one type of battery pack may create a risk of fire when used with another battery pack.
  - Use appliances only with specifically designated battery packs. Use of any other battery packs may create a risk of injury and fire.
  - When battery pack is not in use, keep it away from other metal objects, like paper clips, coins, keys, nails, screws or other small metal objects, that can make a connection from one terminal to another. Shorting the battery terminals together may cause burns or a fire.
  - Under abusive conditions, liquid may be ejected from the battery; avoid contact. If contact accidentally occurs, flush with water. If liquid contacts eyes, additionally seek medical help. Liquid ejected from the battery may cause irritation or burns.
  - Do not use a battery pack or appliance that is damaged or modified. Damaged or modified batteries may exhibit unpredictable behavior resulting in fire, explosion or risk of injury.
  - Do not expose a battery pack or appliance to fire or excessive temperature. Exposure to fire or temperature above 130 °C (265 °F) may cause explosion.
  - Follow all charging instructions and do not charge the battery pack or appliance outside of the temperature range specified in the instructions. Charging improperly or at temperatures outside of the specified range may damage the battery and increase the risk of fire.
  - Have servicing performed by a qualified repair person using only identical replacement parts. This will ensure that the safety of the product is maintained.

- Do not modify or attempt to repair the appliance or the battery pack except as indicated in the instructions for use and care.
15. Important safety instructions for battery cartridge.
- Before using battery cartridge, read all instructions and cautionary markings on (1) battery charger, (2) battery, and (3) product using battery.
  - Do not disassemble or tamper with the battery cartridge. It may result in a fire, excessive heat, or explosion.
  - If operating time has become excessively shorter, stop operating immediately. It may result in a risk of overheating, possible burns and even an explosion.
  - If electrolyte gets into your eyes, rinse them out with clear water and seek medical attention right away. It may result in loss of your eyesight.
  - Do not short the battery cartridge.
  - Do not store and use the tool and battery cartridge in locations where the temperature may reach or exceed 50 °C (122 °F).
  - Do not incinerate the battery cartridge even if it is severely damaged or is completely worn out. The battery cartridge can explode in a fire.
  - Do not nail, cut, crush, throw, drop the battery cartridge, or hit against a hard object to the battery cartridge. Such conduct may result in a fire, excessive heat, or explosion.
  - Do not use a damaged battery.
  - The contained lithium-ion batteries are subject to the Dangerous Goods Legislation requirements. For commercial transports e.g. by third parties, forwarding agents, special requirement on packaging and labeling must be observed. For preparation of the item being shipped, consulting an expert for hazardous material is required. Please also observe possibly more detailed national regulations. Tape or mask off open contacts and pack up the battery in such a manner that it cannot move around in the packaging.
  - Use the batteries only with the products specified by Makita. Installing the batteries to non-compliant products may result in a fire, excessive heat, explosion, or leak of electrolyte.
  - If the tool is not used for a long period of time, the battery must be removed from the tool.
  - During and after use, the battery cartridge may take on heat which can cause burns or low temperature burns. Pay attention to the handling of hot battery cartridges.
  - Do not touch the terminal of the tool immediately after use as it may get hot enough to cause burns.
  - Do not allow chips, dust, or soil stuck into the terminals, holes, and grooves of the battery cartridge. It may result in poor performance or breakdown of the tool or battery cartridge.
  - Unless the tool supports the use near high-voltage electrical power lines, do not use the battery cartridge near high-voltage electrical power lines. It may result in a malfunction or breakdown of the tool or battery cartridge.
  - Keep the battery away from children.

## SAVE THESE INSTRUCTIONS.

**⚠ CAUTION:** Only use genuine Makita batteries. Use of non-genuine Makita batteries, or batteries that have been altered, may result in the battery bursting causing fires personal injury and damage. It will also void the Makita warranty for the Makita tool and charger.

16. Tips for maintaining maximum battery life.
- Charge the battery cartridge before completely discharged.  
Always stop tool operation and charge the battery cartridge when you notice less tool power.
  - Never recharge a fully charged battery cartridge. Overcharging shortens the battery service life.
  - Charge the battery cartridge with room temperature at 10 °C - 40 °C (50 °F - 104 °F). Let a hot battery cartridge cool down before charging it.
  - When not using the battery cartridge, remove it from the tool or the charger.
  - Charge the battery cartridge if you do not use it for a long period (more than six months).

## FUNCTIONAL DESCRIPTION

**⚠ CAUTION:**  
Always be sure that the appliance is switched off, and the battery cartridge is removed before adjusting or checking function on the appliance.

## Installing or removing battery cartridge (Fig. 2)

**⚠ CAUTION:**  
Always switch off the appliance before installing or removing the battery cartridge.

**⚠ CAUTION:**  
**Hold the appliance and the battery cartridge firmly when installing or removing battery cartridge.**  
Failure to hold the appliance and the battery cartridge firmly may cause them to slip off your hands and result in damage to the appliance and battery cartridge and a personal injury.

To install the battery cartridge, align the tongue on the battery cartridge with the groove in the housing and slip it into place. Insert it all the way until it locks in place with a little click. If you can see the red indicator as shown in the figure, it is not locked completely. To remove the battery cartridge, slide it from the appliance while sliding the button on the front of the cartridge.

**⚠ CAUTION:**  
Always install the battery cartridge fully until the red indicator cannot be seen. If not, it may accidentally fall out of the appliance, causing injury to you or someone around you.

**⚠ CAUTION:**  
Do not install the battery cartridge forcibly. If the cartridge does not slide in easily, it is not being inserted correctly.

## Indicating the remaining battery capacity (Fig. 3)

Press the check button on the battery cartridge to indicate the remaining battery capacity. The indicator lamps light up for a few seconds.

Indicator lamps			Remaining capacity
Lighted	Off	Blinking	
■	□	▬	75% to 100%
■	■	■	
■	■	□	50% to 75%
■	□	□	25% to 50%
■	□	□	0% to 25%
▬	□	□	Charge the battery.
■	■	□	The battery may have malfunctioned.
□	□	■	

### NOTE:

Depending on the conditions of use and the ambient temperature, the indication may differ slightly from the actual capacity.

### NOTE:

The first (far left) indicator lamp will blink when the battery protection system works.

## Appliance / battery protection system

The appliance is equipped with the protection system, which automatically cuts off the output power for long service life.

### Overdischarge protection

When the battery capacity is not enough, the appliance stops automatically. In this case, remove the battery from the appliance and charge the battery.

### Protections against other causes

Protection system is also designed for other causes that could damage the appliance and allows the appliance to stop automatically. Take all the following steps to clear the causes, when the appliance has been brought to a temporary halt or stop in operation.

1. Turn the appliance off, and then turn it on again to restart.
2. Charge the battery(ies) or replace it/them with recharged battery(ies).
3. Let the appliance and battery(ies) cool down.

If no improvement can be found by restoring protection system, then contact your local Makita Service Center.

## Turning on the light and brightness mode selection (Fig. 4)

### ⚠ CAUTION:

Do not look in the light or see the source of light directly.

1. Switch: Brightness sequence is: High mode(On) / Medium mode / Low mode / Off for each press.
2. Mode selector: Light up sequence is: Whole Light / Fixed light part / Foldable light part for each press when the switch is on.

### NOTE:

When you switch on the appliance, it will be turned on the same light mode as the last time you use.

## Low battery indicator (Fig. 5)

When the battery becomes low, the LED lights go out except one LED light as illustrated. Then approximately five to ten minutes later, the appliance automatically turns off.

## OPERATION

### ⚠ CAUTION:

Rotate the LED light bar and fold down the foldable light part to stabilise the balance of the appliance when you put the appliance in upright position as shown in fig.4. Otherwise, the appliance may fall over and personal injury occur.

## LED light bar angle (Fig. 6, Fig. 7)

### ⚠ CAUTION:

Take care not to trap finger(s) when adjusting the angle of the light.

### ⚠ CAUTION:

Make sure the fixed and foldable light part to be locked together firmly in folding and unfolding positions respectively.

The LED light bar can be rotated in seven stages for every 45°. (90° to the right and 180° to the left)  
The foldable light part can be bent to 0° or 180°.

## Metal hook (Fig. 8)

Raise and slide the metal hook to center position when using the metal hook.

## Strap (Fig. 9)

### ⚠ CAUTION:

Do not use the ring and strap hole for any purpose other than installing the strap. Otherwise personal injury may occur.

Install the strap on the appliance as illustrated.

## Installing carrier clips into telescopic hook (Fig. 10, Fig. 11)

### CAUTION:

Take care not to pinch finger(s) when installing the carrier clips into telescopic hook.

Install the carrier clips into telescopic hook as illustrated.

### NOTE:

Make sure each carrier clip is slid to the carrier clip positioning hole on the main bar.

### NOTE:

Make sure the two carrier clips in the same direction installation.

## Installing appliance on telescopic hook (Fig. 12)

Install the appliance on the telescopic hook by the carrier clips as illustrated.

### NOTE:

Make sure each carrier clip holds the clipped position of the appliance.

## Mounting telescopic hook (Fig. 13)

### CAUTION:

Do not hang anything other than the appliance on the telescopic hook. Otherwise the holder hooks would be damaged and personal injury may occur.

### CAUTION:

Make sure every part is fixed securely before use.

### CAUTION:

Operate by holding the main bar and the holder hooks when mounting the telescopic hook. Take care not to pinch your hands and fingers because the inner bar is returned to its original position by the force of the springs.

Hold one holder hook to mount it onto where you want.

Hold another one of holder hook while extending the telescopic hook to mount it onto the desired location(another side).

Switch on the appliance and adjust the illumination angle of the appliance to illuminate the desired location as illustrated.

### NOTICE:

If you use the heavy battery, rotate only the LED light bar for adjustment of illumination angle.

## MAINTENANCE

### CAUTION:

Always be sure that the appliance is switched off, and the battery cartridge is removed before attempting to perform inspection or maintenance.

### NOTICE:

Never use gasoline, benzine, thinner, alcohol or the like. Discoloration, deformation or cracks may result.

To maintain product SAFETY and RELIABILITY, repairs, any other maintenance or adjustment should be performed by Makita Authorized or Factory Service Centers, always using Makita replacement parts.

## Cleaning

### CAUTION:

Never wash the appliance in water.

From time to time wipe off the outside of the appliance (appliance body) using a cloth dampened in soapywater.

## OPTIONAL ACCESSORIES

### CAUTION:

These accessories or attachments are recommended for use with your Makita appliance specified in this manual. The use of any other accessories or attachments might present a risk of injury to persons. Only use accessory or attachment for its stated purpose.

If you need any assistance for more details regarding these accessories, ask your local Makita service center.

- Makita genuine battery and charger

### NOTE:

Some items in the list may be included in the appliance package as standard accessories. They may differ from country to country.



## FRANÇAIS (Instructions originales)

1	Crochet télescopique	2	Barre d'éclairage LED	3	Bouton	4	Cartouche de batterie	5	Voyant rouge	6	Voyants lumineux	7	Bouton de vérification	8	Partie lumineuse fixe (LED-24 pcs)
9	Partie lumineuse pliable (LED-18 pcs)	10	Commutateur	11	Sélecteur de mode	12	Indicateur de la batterie faible	13	Partie mobile	14	Crochet Métallique	15	Sangles	16	Anneau
17	Orifice pour cordon	18	Trou de positionnement du clip de transport	19	Barre principale	20	Barre intérieure	21	Clip de transport	22	Crochet de support	23	Position clipsée		

## SPÉCIFICATIONS

Modèle :		DML818
Éclairage	Flux lumineux (H/M/L)	1 700 ml / 800 ml / 400 ml
	Dimensions (L x l x H) (sans cartouche de batterie)	975 mm x 80 mm x 101 mm
	Tension nominale	C.C. 14,4 V / 18 V
	Poids net (sans cartouche de batterie)	1,1 kg
Crochet télescopique	Dimensions (L x l x H) (avec clips)	1 181 mm x 99 mm x 259 mm
	Poids net (avec clips)	1,5 kg
	Largeur disponible *	1 130 mm - 1 900 mm

- Les spécifications peuvent varier d'un pays à l'autre.
- En raison de notre programme continu de recherche et développement, les spécifications des présentes sont sujettes à des modifications sans préavis.
- \* La largeur réelle disponible peut différer en fonction de l'emplacement et de la forme.

## Cartouche de batterie et chargeur compatibles

Cartouche de batterie	14,4 V	BL1415N / BL1430B / BL1440 / BL1460B
	18 V	BL1815N / BL1820B / BL1830B / BL1840B / BL1850B / BL1860B
Chargeur	DC18RC / DC18RD / DC18RE / DC18SD / DC18SE / DC18SF / DC18SH / DC18WC	

- Certaines des cartouches de batterie énumérées ci-dessus peuvent ne pas être disponibles en fonction de votre région de résidence.

**⚠ AVERTISSEMENT : N'utilisez que les cartouches de batterie énumérées ci-dessus.** L'utilisation de toute autre cartouche de batterie peut provoquer des blessures et/ou un incendie.

## Durée de fonctionnement

Cartouche de batterie compatible	Durée de fonctionnement (approximative)		
	Tout l'éclairage (LED-42 pcs)		
	Élevée	Moyen	Faible
BL1415N	1,0 heures	2,2 heures	4,0 heures
BL1430B	1,6 heures	3,5 heures	7,0 heures
BL1440	2,6 heures	5,5 heures	11 heures
BL1460B	3,3 heures	7,0 heures	15 heures
BL1815N	1,3 heures	2,8 heures	5,5 heures
BL1820B	1,7 heures	3,5 heures	7,5 heures
BL1830B	2,4 heures	5,0 heures	10 heures
BL1840B	3,0 heures	7,0 heures	15 heures
BL1850B	4,0 heures	9,5 heures	19 heures
BL1860B	5,0 heures	11 heures	23 heures

- Les durées de fonctionnement indiquées dans le tableau ci-dessus sont mentionnées à titre indicatif. Elles peuvent être différentes des durées de fonctionnement réelles.
- La cartouche de batterie peut varier d'un pays à un autre.
- Les durées de fonctionnement peuvent varier en fonction du type de batterie, de l'état de charge et des conditions d'utilisation.

## Symboles

Le texte ci-après montre les symboles pouvant être utilisés pour l'équipement. Assurez-vous de bien comprendre leur signification avant de les utiliser.



- Lisez le manuel d'instruction.



- Uniquement pour les pays de l'UE. À cause de la présence des composants dangereux sur l'équipement, l'équipement électrique et électronique usé, les accumulateurs et les batteries peuvent avoir une influence négative sur l'environnement ainsi que la santé humaine. Ne pas jeter les appareils électriques et électroniques ou les batteries avec les déchets domestiques! Selon la Directive Européenne sur l'équipement électrique et électronique usé, sur les accumulateurs et les batteries et sur les accumulateurs et les batteries usés, ainsi que leur adaptation à la loi nationale, l'équipement électrique usé, les batteries et les accumulateurs devraient être stockés séparément et livrés à un point de collecte séparé pour les déchets municipaux, opérant conformément à la réglementation sur la protection de l'environnement. Cela est indiqué par le symbole de la poubelle à roues barrée placée sur l'équipement.



- Rayonnement optique (UV et IR). Minimisez l'exposition aux yeux ou à la peau.



- Ne fixez pas une lampe en fonctionnement.



- Utilisez un dispositif de protection ou une protection oculaire appropriée.



- Restez particulièrement vigilants et faites attention !



- Pour l'utilisation à l'intérieur uniquement

## CONSIGNES DE SÉCURITÉ IMPORTANTES

### ⚠ AVERTISSEMENT :

Pour réduire le risque de blessure, ne pas regarder les appareils en fonctionnement. Les blessures graves aux yeux pourraient survenir.

### ⚠ AVERTISSEMENT :

Lors de l'utilisation d'appareils électroménagers, des précautions de sécurité de base doivent toujours être prises pour réduire les risques d'incendie, de choc électrique et de blessures corporelles, notamment les suivantes :

## LISEZ TOUTES LES INSTRUCTIONS.

1. Pour réduire le risque de blessure, une surveillance étroite est nécessaire quand l'appareil est utilisé à proximité des enfants.
2. Pour réduire le risque de choc électrique, ne pas mettre l'appareil dans l'eau ou tout autre liquide. Ne pas placer ou stocker l'appareil à l'endroit où il pourrait tomber ou être tiré dans une baignoire ou un évier.
3. Ne pas couvrir l'appareil avec un chiffon, un carton, etc. Sinon, ceci peut causer une flamme.
4. Ne touchez pas la partie intérieure de l'appareil avec des pinces, des outils métalliques, etc.
5. N'exposez pas l'appareil à la pluie ou à la neige. Ne le lavez pas dans l'eau.
6. Ne touchez pas la partie intérieure de l'appareil avec des pinces, des outils métalliques, etc.
7. Ne pas toucher les pièces chaudes.
8. Lorsque l'appareil n'est pas utilisé, il faut toujours l'éteindre et retirer la cartouche de batterie de l'appareil.
9. Ne soumettez pas l'appareil à un choc en le faisant tomber, en lui donnant des coups, etc.
10. Utilisez uniquement les accessoires recommandés ou vendus par le fabricant.
11. Stockez le produit à l'intérieur quand il n'est pas utilisé. Tenez hors de portée des enfants.
12. Consignes de sécurité pour les luminaires portatifs à batteries.
  - L'élimination des batteries doit être conforme à la réglementation locale relative à l'élimination des matières dangereuses.
  - N'incinerez pas la batterie.
13. Informations complémentaires sur les luminaires.
  - La source de lumière du présent luminaire n'est pas remplaçable ; quand la source de luminaire atteint sa fin de vie, tout le luminaire devra être remplacé.
14. Utilisation et entretien de la batterie de l'outil.
  - **AVERTISSEMENT :** Veuillez lire tous les avertissements et toutes les consignes de sécurité. Le non-respect des avertissements et instructions peut provoquer des chocs électriques, des incendies et / ou des blessures graves.
  - Empêchez tout démarrage involontaire. Assurez-vous que l'interrupteur est en position d'arrêt avant de brancher la batterie, de prendre l'appareil ou de le transporter. Le fait de porter l'appareil en mettant le doigt sur l'interrupteur ou d'alimenter l'appareil alors que l'interrupteur est en marche risque d'entraîner des accidents.
  - Débranchez la batterie de l'appareil avant d'effectuer des réglages, de changer des accessoires ou de ranger l'appareil. Ces mesures de sécurité préventives réduisent le risque de faire démarrer l'appareil par inadvertance.
  - Rechargez l'appareil uniquement avec le chargeur spécifié par le fabricant. Un chargeur adapté à un type de bloc-batterie peut créer un risque d'incendie lorsqu'il est utilisé avec un autre bloc-batterie.
  - N'utilisez les appareils qu'avec des batteries spécialement conçues à cet effet. L'utilisation de tout autre bloc-batterie peut créer un risque de blessure et d'incendie.
  - Lorsque la batterie n'est pas utilisée, éloignez-la des autres objets métalliques, tels que les trombones, les pièces de monnaie, les clés, les clous, les vis ou autres petits objets métalliques, qui peuvent établir une connexion d'une borne à une autre. Un court-circuit des bornes de la batterie peut provoquer des brûlures ou un incendie.
  - Dans des conditions extrêmes, du liquide peut être éjecté de la batterie ; évitez tout contact. En cas de contact accidentel, rincez à grande eau. En cas de contact avec les yeux, consultez un médecin. Le liquide éjecté de la batterie peut causer une irritation ou des brûlures.
  - N'utilisez pas une batterie ou un appareil endommagé(e) ou modifié(e). Les batteries endommagées ou modifiées peuvent présenter un comportement imprévisible entraînant un incendie, une explosion ou un risque de blessure.
  - N'exposez pas une batterie ou un appareil à un incendie ou à une température excessive. L'exposition au feu ou à une température supérieure à 130 °C (265 °F) peut provoquer une explosion.
  - Conformez-vous à toutes les instructions relatives à la charge et ne chargez pas la batterie ou l'appareil en dehors de la plage de température spécifiée dans les instructions. Une charge incorrecte ou à des températures en dehors de la plage spécifiée peut endommager la batterie et augmenter le risque d'incendie.

- Faites effectuer l'entretien par un réparateur qualifié en n'utilisant que des pièces de rechange identiques. Cela garantira le maintien de la sécurité du produit.
  - Ne modifiez pas ou n'essayez pas de réparer l'appareil ou le bloc-batterie, sauf comme indiqué dans le manuel d'utilisation et d'entretien.
15. Consignes de sécurité importantes pour la cartouche de batterie.
- Avant d'utiliser la cartouche de batterie, lisez toutes les instructions et les mises en garde sur (1) le chargeur de batterie, (2) la batterie et (3) le produit qui utilise la batterie.
  - Ne démontez pas et n'altérez pas la cartouche de batterie. Cela pourrait provoquer un incendie, une chaleur excessive ou une explosion.
  - Si la durée de fonctionnement est devenue trop courte, arrêtez immédiatement l'appareil. Cela peut entraîner un risque de surchauffe, de brûlures et même d'explosion.
  - Si vous recevez des électrolytes dans les yeux, rincez-les à l'eau claire et consultez immédiatement un médecin. Ce type de blessure peut entraîner une perte de la vue.
  - Ne court-circuitiez pas la cartouche de batterie.
  - Ne rangez pas et n'utilisez pas l'appareil et la cartouche de batterie dans des endroits où la température peut atteindre ou dépasser 50 °C (122 °F).
  - N'incinerez pas la cartouche de batterie même si elle est fortement endommagée ou si elle est complètement usée. La cartouche de batterie peut exploser en cas d'incendie.
  - Ne clouez pas, ne coupez pas, n'écrasez pas, ne jetez pas, ne faites pas tomber la cartouche de batterie et ne frappez pas la cartouche de batterie contre un objet dur. Cela pourrait provoquer un incendie, une chaleur excessive ou une explosion.
  - N'utilisez pas une batterie endommagée.
  - Les batteries lithium-ion incorporées sont soumises aux exigences de la législation sur les marchandises dangereuses. Pour les transports commerciaux, par exemple par des tiers ou des transitaires, des exigences particulières en matière d'emballage et d'étiquetage doivent être respectées. Pour la préparation de l'article à expédier, consultez un expert en matières dangereuses. Veuillez également respecter les réglementations nationales éventuellement plus détaillées. Scellez ou masquez les contacts ouverts et emballez la batterie de manière à ce qu'elle ne puisse pas bouger à l'intérieur de l'emballage.
  - N'utilisez les batteries qu'avec les produits recommandés par Makita. L'installation des batteries sur des produits non conformes peut provoquer un incendie, une chaleur excessive, une explosion ou une fuite d'électrolyte.
  - Si l'outil n'est pas utilisé pendant une longue période, sa batterie doit être retirée.
  - Pendant et après l'utilisation, la cartouche de batterie peut prendre de la chaleur, ce qui peut provoquer des brûlures ou des brûlures à basse température. Faites attention à la manipulation des cartouches de batterie chaudes.
  - Ne touchez pas le terminal de l'appareil immédiatement après son utilisation, car il peut devenir suffisamment chaud pour provoquer des brûlures.
  - Ne laissez pas de copeaux, de poussière ou de terre s'incruster dans les terminaux, les trous et les rainures de la cartouche de batterie. Cela peut entraîner un mauvais fonctionnement ou une panne de l'appareil ou de la cartouche de batterie.
  - N'utilisez pas la cartouche de batterie à proximité de lignes électriques à haute tension, à moins que l'appareil ne puisse être utilisé à proximité de lignes électriques à haute tension. Cela peut entraîner un dysfonctionnement ou une panne de l'appareil ou de la cartouche de batterie.
  - Gardez la batterie hors de portée des enfants.

## CONSERVEZ CES INSTRUCTIONS.

**⚠ AVERTISSEMENT :** Utilisez uniquement des batteries Makita d'origine. L'utilisation de batteries Makita non authentiques ou de batteries altérées peut entraîner leur explosion et provoquer des incendies, des blessures corporelles et des dommages. Cela annulera également la garantie Makita sur l'outil et le chargeur Makita.

16. Conseils pour maintenir la durée de vie maximale de la batterie.
- Chargez la cartouche de batterie avant qu'elle ne se décharge complètement. Arrêtez toujours l'appareil et chargez la cartouche de la batterie lorsque vous constatez une réduction de la puissance de celui-ci.
  - Ne rechargez jamais une cartouche de batterie complètement chargée. Une surcharge réduit la durée de vie de la batterie.
  - Chargez la cartouche de batterie à température ambiante entre 10 °C et 40 °C (50 °F et 104 °F). Laissez une cartouche de batterie chaude refroidir avant de la charger.
  - Lorsque vous n'utilisez pas la cartouche de batterie, retirez-la de l'appareil ou du chargeur.
  - Chargez la cartouche de batterie si vous ne l'utilisez pas pendant une longue période (plus de six mois).

## DESCRIPTION FONCTIONNELLE

**⚠ AVERTISSEMENT :** Assurez-vous toujours que l'appareil est éteint et que la cartouche de batterie est retirée avant de régler ou de vérifier le fonctionnement de l'appareil.

## Montage ou démontage de la cartouche de batterie (Fig. 2)

**⚠ AVERTISSEMENT :** Éteignez toujours l'appareil avant d'installer ou de retirer la cartouche de batterie.

**⚠ AVERTISSEMENT :** **Tenez fermement l'appareil et la cartouche de batterie lorsque vous installez ou retirez la cartouche de batterie.** Si vous ne parvenez pas à tenir fermement l'appareil et la cartouche de batterie, ils risquent de glisser de vos mains et d'endommager l'appareil et la cartouche de batterie et de provoquer des blessures corporelles.

Pour monter la cartouche de batterie, alignez la languette de la cartouche de batterie avec la rainure du boîtier et faites-la glisser dans le boîtier. Insérez-la jusqu'à ce qu'elle s'enclenche d'un simple clic. Si vous pouvez voir l'indicateur rouge comme cela montré sur la figure, il n'est pas verrouillé complètement. Pour retirer la cartouche de batterie, faites-la glisser de l'appareil tout en faisant glisser le bouton à l'avant de la cartouche.

### **⚠ AVERTISSEMENT :**

Installez toujours la cartouche de batterie complètement jusqu'à ce que l'indicateur rouge ne soit plus visible. Dans le cas contraire, il risquerait de tomber accidentellement de l'appareil et de causer des blessures, à vous ou toute autre personne à proximité.

### **⚠ AVERTISSEMENT :**

N'installez pas la cartouche de batterie en forçant. Si la cartouche ne glisse pas facilement, c'est qu'elle n'est pas insérée correctement.

## **Indication de la charge résiduelle de la batterie (Fig. 3)**

Appuyez sur le bouton de vérification de la cartouche de batterie pour indiquer la capacité restante de la batterie. Les voyants lumineux s'allument pendant quelques secondes.

Voyants lumineux			Capacité restante
Allumé	Éteint	Clignotant	
■ ■ ■ ■	□ □ □ □	◻	75 % à 100 %
■ ■ ■ □	□ □ □ □	◻	50 % à 75 %
■ ■ □ □	□ □ □ □	◻	25 % à 50 %
■ □ □ □	□ □ □ □	◻	0 % à 25 %
◻ □ □ □	□ □ □ □	◻	Chargez la batterie.
■ ■ □ □	□ □ □ □	◻	La batterie a peut-être mal fonctionné.
□ □ ■ ■	□ □ □ □	◻	

### **REMARQUE :**

Selon les conditions d'utilisation et la température ambiante, l'indication peut différer légèrement de la capacité réelle.

### **REMARQUE :**

Le premier voyant (à l'extrême gauche) clignote lorsque le système de protection de la batterie fonctionne.

## **Système de protection de la machine / de l'appareil**

l'appareil est équipé d'un système de protection qui coupe automatiquement la puissance de sortie pour une longue durée de vie.

### **Protection contre la surcharge**

Lorsque la capacité de la batterie n'est pas suffisante, l'appareil s'arrête automatiquement. Dans ce cas, retirez la batterie de l'appareil et rechargez-la.

### **Protections contre les autres causes**

Le système de protection est aussi conçu pour les autres causes qui pourraient endommager l'appareil et permet à l'appareil d'être arrêté automatiquement. Prenez toutes les étapes ci-après afin d'éliminer les causes quand l'appareil a été suspendu ou arrêté temporairement en opération.

1. Éteignez l'appareil, et puis il est allumé à nouveau pour le redémarrage.
2. La batterie ou les batteries sont chargées ou elle / elles sont remplacées à l'aide de la batterie ou des batteries rechargées.

3. Laissez refroidir l'appareil et la batterie ou les batteries.

Si aucune amélioration ne peut être découverte en restaurant le système de protection, par la suite, contactez votre Centre de Service Makita local.

## **Activez la sélection du mode d'éclairage et de luminosité (Fig. 4)**

### **⚠ AVERTISSEMENT :**

Ne regardez pas dans la lampe ou ne regardez pas directement la source de lumière.

1. Commutateur : La séquence de luminosité est : Mode haut (Marche) / Mode moyen / Mode bas / Arrêt pour chaque pressage.
2. Sélecteur de mode : La séquence d'allumage est : Tout l'éclairage / partie lumineuse fixe / partie lumineuse pliable pour chaque pressage quand l'interrupteur est allumé.

### **REMARQUE :**

Quand vous allumerez l'appareil, il sera allumé dans le même mode d'éclairage que lors de votre dernière utilisation.

## **Indicateur de la batterie faible (Fig. 5)**

Quand la batterie devient basse, les voyants LED sont éteints à l'exception d'un voyant comme illustré. Par la suite, dans environ cinq à dix minutes plus tard, l'appareil s'éteint automatiquement.

## **FONCTIONNEMENT**

### **⚠ AVERTISSEMENT :**

Faites pivoter la barre d'éclairage LED et rabattez la partie lumineuse pliable, afin de stabiliser l'équilibre de l'appareil quand vous mettez l'appareil en position verticale comme indiqué sur la figure 4. Faute de quoi, l'appareil pourrait tomber et la blessure corporelle pourrait survenir.

## **Angle de la barre d'éclairage LED (Fig. 6, Fig. 7)**

### **⚠ AVERTISSEMENT :**

Veillez à ce que vos doigts ne se coincent pas lorsque vous réglez l'angle de la lumière.

### **⚠ AVERTISSEMENT :**

Il faut garantir que les parties lumineuses fixe et pliable sont fermement verrouillées ensemble dans les positions de pliage et de dépliage, respectivement.

La barre d'éclairage LED peut pivoter en sept étapes tous les 45°. (90° à droite et 180° à gauche)  
La partie lumineuse pliable peut être pliée à 0° ou 180°.

## **Crochet Métallique (Fig.8)**

Soulevez et faites glisser le crochet métallique en position centrale quand vous utilisez le crochet métallique.

## Sangle (Fig. 9)

### **AVERTISSEMENT :**

Ne pas utiliser l'anneau et le trou de la sangle pour tout autre objectif que l'installation de la sangle. Faute de quoi, la blessure corporelle peut se produire.

Installez la sangle sur l'appareil comme illustré.

## Installation des clips de transport dans le crochet télescopique (Fig. 10, Fig. 11)

### **AVERTISSEMENT :**

Veillez à ne pas pincer les doigts pendant l'installation des clips de transport dans le crochet télescopique.

Installez les clips de transport dans le crochet télescopique comme illustré.

### **REMARQUE :**

Il faut garantir que chaque clip de transport est glissé vers le trou de positionnement du clip de transport sur la barre principale.

### **REMARQUE :**

Il faut garantir que les deux clips de transport dans la même direction d'installation.

## Installation de l'appareil sur le crochet télescopique (Fig. 12)

Installez l'appareil sur le crochet télescopique à l'aide des clips de transport comme illustré.

### **REMARQUE :**

Il faut garantir que chaque clip de transport maintient la position clipsée de l'appareil.

## Crochet télescopique de montage (Fig. 13)

### **AVERTISSEMENT :**

N'accrochez rien au crochet télescopique sur l'appareil. Faute de quoi, les crochets de support pourraient être endommagés et la blessure corporelle pourrait survenir.

### **AVERTISSEMENT :**

Il faut garantir que chaque pièce est solidement fixée avant l'utilisation.

### **AVERTISSEMENT :**

Opérez en tenant la barre principale et les crochets de support pendant le montage du crochet télescopique. Faites attention à ne pas vous pincer les mains et les doigts car la barre intérieure est ramenée à sa position d'origine par la force des ressorts.

Tenez un crochet de support pour le monter là où vous le souhaitez.

Tenez un autre crochet de support tout en étendant le crochet télescopique pour le monter à l'emplacement souhaité (un autre côté).

Allumez l'appareil et réglez l'angle d'illumination de l'appareil afin d'éclairer l'endroit souhaité, comme illustré.

### **REMARQUE :**

Si vous utilisez une batterie lourde, faites pivoter uniquement la barre d'éclairage LED afin de régler l'angle d'illumination.

## ENTRETIEN

### **AVERTISSEMENT :**

Assurez-vous toujours que l'appareil est éteint et que la cartouche de batterie est retirée avant de tenter d'effectuer une inspection ou un entretien.

### **REMARQUE :**

N'utilisez jamais d'essence, de benzène, de diluant, d'alcool ou d'autres produits similaires. Il pourrait en résulter une décoloration, une déformation ou des fissures.

Pour maintenir la SÉCURITÉ et la FIABILITÉ du produit, les réparations et tout autre entretien ou ajustement doivent être effectués par des centres de service agréés par Makita ou par des centres agréés par le service technique constructeur, toujours avec des pièces de rechange Makita.

## Nettoyage

### **AVERTISSEMENT :**

Ne lavez jamais l'appareil à l'eau. Essuyez de temps en temps l'extérieur de l'appareil (corps de l'appareil) à l'aide d'un chiffon imbibé d'eau savonneuse.

## ACCESSOIRES FACULTATIFS

### **AVERTISSEMENT :**

Il est recommandé d'utiliser ces accessoires et pièces détachées avec votre appareil Makita spécifié dans le présent manuel. L'utilisation d'autres accessoires ou pièces détachées peut exposer les utilisateurs à des risques de blessures. Utilisez l'accessoire ou la pièce détachée uniquement aux fins indiquées.

Si vous avez besoin d'aide pour plus de détails concernant ces accessoires, demandez à votre centre de service Makita local.

- Batterie et chargeur Makita d'origine

### **REMARQUE :**

Certains articles dans la liste peuvent être compris dans l'emballage de l'appareil en tant qu'accessoires standard.

Ils peuvent varier d'un pays à l'autre.

## DEUTSCHLAND (Original Anweisungen)

1	Teleskophaken	2	LED Lichtstreifen	3	Taste	4	Batteriefach	5	Rot-Anzeige	6	Anzeigelampen	7	Prüftaste	8	Feste Lampenkomponenten (LED-24 Einheiten)
9	Faltbare Lichtkomponenten (LED-18 Einheiten)	10	Schalter	11	Selektor	12	Anzeige für niedrigen Batteriestand	13	Bewegliche Teile	14	Metallhaken	15	Riemen	16	Ring
17	Riemenhalterung	18	Positionierloch der Klammer	19	Hauptleiste	20	Bewehrung	21	Klammer	22	Haken	23	Position		

## SPEZIFIKATIONEN

Modell:		DML818
Licht	Lichtstrom (H/M/L)	1.700 Lumen/800 Lumen/400 Lumen
	Abmessungen (L × B × H) (ohne Batteriekasten)	975 mm × 80 mm × 101 mm
	Nennspannung	D.C. 14,4 V / 18 V
	Nettogewicht (ohne Batteriefach)	1,1 kg
Teleskophaken	Abmessungen (L × B × H) (mit Clip)	1.181 mm × 99 mm × 259 mm
	Nettogewicht (mit Clip)	1,5 kg
	Verfügbare Breite*	1.130 mm - 1.900 mm

- Die Spezifikationen sind je nach Land unterschiedlich.
- Die Spezifikationen können ohne vorherige Ankündigung geändert werden, da wir die Forschung und Entwicklung laufend fortsetzen.
- \* Die tatsächlich verfügbare Breite kann je nach Standort und Form variieren.

## Zulässiges Batteriefach und Ladegerät

Batteriefach	14,4 V	BL1415N / BL1430B / BL1440 / BL1460B
	18 V	BL1815N / BL1820B / BL1830B / BL1840B / BL1850B / BL1860B
Ladegerät	DC18RC / DC18RD / DC18RE / DC18SD / DC18SE / DC18SF / DC18SH / DC18WC	

- Einige der oben aufgeführten Batterien sind an Ihrem Wohnort möglicherweise nicht verfügbar.

**⚠️ WARNUNG: Verwenden Sie ausschließlich die oben aufgeführten Batterien.** Wenn Sie andere Batterien verwenden, kann dies zu Verletzungen und/oder einem Brand führen.

## Betriebsdauer

Zulässige Batterien	(Ungefähre) Betriebsdauer		
	Ganze Lampe (LED-42 Einheiten)		
	Hoch	Medium	Niedrig
BL1415N	1,0 Stunden	2,2 Stunden	4,0 Stunden
BL1430B	1,6 Stunden	3,5 Stunden	7,0 Stunden
BL1440	2,6 Stunden	5,5 Stunden	11 Stunden
BL1460B	3,3 Stunden	7,0 Stunden	15 Stunden
BL1815N	1,3 Stunden	2,8 Stunden	5,5 Stunden
BL1820B	1,7 Stunden	3,5 Stunden	7,5 Stunden
BL1830B	2,4 Stunden	5,0 Stunden	10 Stunden
BL1840B	3,0 Stunden	7,0 Stunden	15 Stunden
BL1850B	4,0 Stunden	9,5 Stunden	19 Stunden
BL1860B	5,0 Stunden	11 Stunden	23 Stunden

- Die in der oberen Tabelle angegebenen Betriebszeiten sind nur grobe Richtlinien. Sie unterscheiden sich eventuell von den tatsächlichen Betriebszeiten.
- Das Batteriefach ist eventuell in jedem Land unterschiedlich.
- Die Betriebsdauer hängt von der Art der Batterie, dem Ladezustand und den Nutzungsbedingungen ab.

## Zeichen

Hier sind die Symbole, die für Geräte verwendet werden können. Stellen Sie sicher, dass Sie die Bedeutung der Zeichen kennen, bevor Sie das Produkt verwenden.



- Lesen Sie die Betriebsanleitung.



- Nur geeignet für den EU-Ländern Elektro- und Elektronik-Altgeräte, Akkumulatoren und Batterien aufgrund des Vorhandenseins gefährlicher Bauteile in den Geräten haben negative Auswirkungen auf die Umwelt und die menschliche Gesundheit. Entsorgen Sie niemals Elektro- und Elektronikgeräte oder Batterien mit Hausmüll! Gemäß der europäischen Richtlinie über Elektro- und Elektronik-Altgeräte, Akkumulatoren und Altakkumulatoren und deren Anpassung an das nationale Recht sollten Elektroaltgeräte, Akkumulatoren und Akkumulatoren getrennt gelagert und an separate Siedlungsabfallsammelstellen geliefert werden, die gemäß den Umweltschutzvorschriften betrieben werden. Dies wird durch das Symbol des durchgestrichenen Radbehälters angezeigt, das auf dem Gerät platziert ist.



- Optische Strahlung (UV und IR) Abstrahlungen auf Augen und Haut vermeiden.



- Nicht direkt in die eingeschaltete Lampe blicken.



- Verwenden Sie eine angemessene Blende oder Augenschutz.



- Gehen Sie besonders vorsichtig vor!



- Nur im Innenbereich

## WICHTIGE SICHERHEITSANWEISUNGEN

### ⚠️ **WARNUNG:**

Um das Risiko zu verringern, starren Sie nicht auf die elektrischen Geräte, die betrieben werden. Kann schwere Augenschäden verursachen.

### ⚠️ **VORSICHT:**

Wenn Sie elektrische Geräte verwenden, sollten Sie stets einige der grundlegenden Sicherheitsvorkehrungen beachten, um die Gefahr eines Brandes, elektrischen Schlags oder von Verletzungen zu senken:

## ALLE ANWEISUNGEN DURCHLESEN.

1. Um das Risiko zu verringern, ist es notwendig, genau zu überwachen, wenn dieses Gerät in der Nähe von Kindern verwendet wird.
2. Um das Risiko zu verringern, legen Sie elektrische Geräte nicht in Wasser oder Flüssigkeiten. Stellen oder lagern Sie elektrische Geräte nicht in Bereichen, in denen sie fallen oder in die Badewanne oder das Waschbecken gezogen werden können.
3. Decken Sie Elektrogeräte nicht mit Tuch oder Pappkartons ab, da dies Flammen verursachen kann.
4. Berühren Sie das Innere des Geräts nicht mit Pinzetten, Metallwerkzeugen usw.
5. Setzen Sie das Gerät weder Regen noch Schnee aus. Nicht in Wasser waschen.
6. Berühren Sie das Innere des Geräts nicht mit Pinzetten, Metallwerkzeugen usw.
7. Kommen Sie nicht mit Hochtemperaturkomponenten in Kontakt.
8. Wenn das Gerät nicht verwendet wird, müssen Sie es stets abschalten und die Batterie aus dem Gerät entfernen.
9. Verpassen Sie dem Gerät keine Erschütterungen durch Fallenlassen, Schläge usw.
10. Es kann nur vom Hersteller empfohlenes Zubehör verwendet werden.
11. Bewahren Sie das Produkt bei Nichtgebrauch im Innenbereich auf. Außerhalb der Reichweite von Kindern aufbewahren.
12. Sicherheitsinformationen für tragbare Leuchten mit Batterien.
  - Die Batterien sollten gemäß den örtlichen Vorschriften für Gefahrenstoffe entsorgt werden.
  - Die Batterie darf nicht verbrannt werden.
13. Zusätzliche Hinweise für Leuchtmittel.
  - Die Lichtquelle dieser Lampe ist nicht austauschbar; Wenn die Lebensdauer der Lichtquelle abgelaufen ist, sollte die gesamte Leuchte ausgetauscht werden.
14. Nutzung und Pflege der Batterie.
  - **WARNUNG:** Lesen Sie alle Sicherheitshinweise und Anweisungen. Die Nichtbeachtung der Warnungen und Anweisungen kann zu Stromschlägen, Bränden und/oder schweren Verletzungen führen.
  - Vermeiden Sie ungewollte Inbetriebnahme. Achten Sie darauf, dass der Schalter in der Aus-Position steht, bevor Sie die Batterien einsetzen, das Gerät hochheben oder herumtragen. Wenn Sie das Gerät mit dem Finger am Schalter tragen oder gleichzeitig einschalten, kann dies zu Unfällen führen.
  - Nehmen Sie die Batterien aus dem Gerät, bevor Sie Änderungen vornehmen, Zubehör auswechseln oder das Gerät lagern. Solche Vorsichtsmaßnahmen senken das Risiko, dass das Gerät versehentlich in Betrieb geht.
  - Laden Sie das Gerät nur mit dem vom Hersteller zugelassenen Ladegerät auf. Ein Ladegerät, das für einen Batterietyp geeignet ist, kann bei anderen Batterietypen zu einer Brandgefahr führen.
  - Verwenden Sie Geräte ausschließlich mit den entsprechenden Batterien. Wenn Sie andere Batterien verwenden, kann dies zu Verletzungen oder einem Brand führen.
  - Wenn Sie die Batterie nicht verwenden, halten Sie sie von sonstigen Metallgegenständen wie Heftklammern, Münzen, Schlüsseln, Nägel, Schrauben oder sonstigen kleinen Metallgegenständen fern, die einen Kurzschluss auslösen könnten. Ein Kurzschluss der Pole kann zu Verbrennungen oder einem Brand führen.
  - Wenn Sie die Batterien missbräuchlich verwenden, kann Flüssigkeit aus der Batterie austreten; vermeiden Sie direkten Kontakt mit der Flüssigkeit. Falls es doch versehentlich zu einem Kontakt kommt, waschen Sie Ihre Hände mit Wasser. Falls die Flüssigkeit in die Augen gelangt, suchen Sie zusätzlich medizinische Hilfe auf. Flüssigkeiten, die aus der Batterie austreten, können Reizungen oder Verbrennungen verursachen.
  - Verwenden Sie keine Batterien oder Geräte, die beschädigt oder modifiziert wurden. Beschädigte oder modifizierte Batterien können sich unvorhersehbar verhalten, was zu einem Brand oder einer Explosion führen kann oder ein Verletzungsrisiko darstellt.
  - Setzen Sie eine Batterie keinem offenem Feuer oder sehr hohen Temperaturen aus. Wenn Sie das Gerät Feuer oder einer Temperatur über 130 °C (265 °F) aussetzen, kann dies zu einer Explosion führen.

- Halten Sie sich an alle Anweisungen zum Aufladen der Batterie und halten Sie sich an die in den Anweisungen angegebenen Temperatureinschränkungen. Unsachgemäßes Aufladen oder Aufladen bei Temperaturen außerhalb der festgelegten Grenzwerte kann dazu führen, dass die Batterie beschädigt wird, oder das Brandrisiko steigt.
  - Lassen Sie Wartungsarbeiten nur von qualifizierten Arbeitern mit passenden Ersatzteilen durchführen. Dadurch wird die Sicherheit des Produkts gewährleistet.
  - Modifizieren Sie das Gerät oder die Batterien nicht und versuchen Sie nicht, diese zu reparieren, außer entsprechend den Nutzungs- und Pflegeanweisungen.
15. Wichtige Sicherheitsanweisungen für Batterien.
- Bevor Sie Batterien verwenden, lesen Sie alle Anweisungen und Sicherheitsmarkierungen auf (1) dem Ladegerät, (2) der Batterie und (3) dem Produkt durch, in welches die Batterie eingesetzt wird.
  - Schließen Sie die Batterien nicht kurz und modifizieren Sie sie nicht. Dies kann zu einem Brand, extremer Hitze oder einer Explosion führen.
  - Falls die Betriebsdauer sich wesentlich verkürzt, stellen Sie unverzüglich den Betrieb ein. Es besteht die Gefahr von Überhitzung, möglichen Verbrennungen und es kann sogar zu einer Explosion kommen.
  - Falls Sie Elektrolyte in die Augen kriegen, spülen Sie diese mit sauberem Wasser aus und suchen Sie unverzüglich medizinische Hilfe auf. Es besteht die Gefahr, das Augenlicht zu verlieren.
  - Schließen Sie die Batterien nicht kurz.
  - Lagern und verwenden Sie das Werkzeug und die Batterien nicht an Orten mit Temperaturen über 50 °C (122 °F).
  - Verbrennen Sie die Batterie nicht, selbst dann nicht, wenn sie schwer beschädigt oder vollkommen verschlissen ist. Die Batterie kann explodieren.
  - Schlagen Sie keine Nägel in die Batterie, schneiden Sie sie nicht auf, zerquetschen Sie sie nicht, werfen Sie sie nicht herunter und lassen Sie sie nicht fallen und schlagen Sie keine harten Gegenstände darauf. Dies kann zu einem Brand, extremer Hitze oder einer Explosion führen.
  - Verwenden Sie keine beschädigte Batterie.
  - Lithium-Ionen-Batterien unterliegen den gesetzlichen Vorschriften für Gefährliche Güter. Bei kommerziellen Transport, beispielsweise durch Dritte oder Handelsvertreter, müssen die besonderen Bedingungen für Verpackungen und Kennzeichnung eingehalten werden. Bei der Vorbereitung der Versandwaren müssen Sie einen Fachmann für Gefahrgüter zu Rate ziehen. Bitte beachten Sie auch die möglicherweise genaueren nationalen Vorschriften. Kleben Sie offene Kontakte ab und verpacken Sie die Batterie so, dass sie sich in der Verpackung nicht frei bewegen kann.
  - Verwenden Sie die Batterien nur mit den von Makita angegebenen Produkten. Wenn Sie die Batterien in ungeeigneten Produkten verwenden, kann dies zu einem Brand, starker Hitze, einer Explosion oder dem Auslaufen von Elektrolyten führen.
  - Falls das Werkzeug längere Zeit nicht verwendet wird, muss die Batterie aus dem Werkzeug entfernt werden.
  - Während und nach der Nutzung kann sich die Batterie erhitzen, was zu einem Brand oder zu schleichendem Brand führen kann. Achten Sie darauf, die heißen Batterien sorgfältig zu behandeln.
  - Berühren Sie den Anschluss des Werkzeugs nicht unmittelbar nach dem Gebrauch, da es heiß genug werden kann, um Verbrennungen zu verursachen.
  - Es dürfen keine Späne, Staub oder Erde in die Anschlüsse, Löcher und Rillen der Batterie gelangen. Es kann zu schlechter Leistung oder zum Ausfall des Werkzeugs oder der Batterie führen.
  - Sie dürfen die Batterie nicht in der Nähe von Hochspannungsleitungen verwenden, es sei denn das Werkzeug ist darauf ausgelegt. Dies kann zu schlechter Leistung oder einem Ausfall des Werkzeugs oder des Batteriefachs führen.
  - Halten Sie die Batterie von Kindern fern.

## BEWAHREN SIE DIESE ANWEISUNGEN GUT AUF.

**⚠ VORSICHT:** Verwenden Sie ausschließlich originale Makita-Batterien. Wenn Sie keine originalen Makita-Batterien verwenden, oder Batterien, die modifiziert wurden, besteht die Gefahr, dass die Batterie platzt, was zu einem Brand, Verletzungen oder Schäden führen kann. Außerdem verfällt die Makita-Garantie für das Makita-Werkzeug und das Ladegerät.

16. Tipps für eine maximale Lebensdauer der Batterie.
- Laden Sie die Batterie auf, bevor sie vollständig entladen ist. Sollten Sie merken, dass die Leistung nachlässt, halten Sie das Werkzeug an und laden Sie die Batterien auf.
  - Laden Sie keine vollständig geladene Batterie auf. Ein Überladen verkürzt die Lebensdauer der Batterie.
  - Laden Sie die Batterie bei Zimmertemperatur zwischen 10-40 °C (50-104 °F) auf. Bevor Sie eine heiße Batterie aufladen, sollten Sie sie abkühlen lassen.
  - Entfernen Sie die Batterie aus dem Werkzeug oder dem Ladegerät, wenn Sie sie nicht verwenden.
  - Laden Sie die Batterie auf, bevor Sie sie längere Zeit nicht verwenden (länger als sechs Monate).

## FUNKTIONSBESCHREIBUNG

**⚠ VORSICHT:** Achten Sie stets darauf, dass das Gerät abgeschaltet ist und dass die Batterie entfernt wurde, bevor Sie die Funktionen des Geräts einstellen oder überprüfen.

## Installation oder Entfernung des Batteriefachs (Fig. 2)

**⚠ VORSICHT:** Bevor Sie den Akku installieren oder entfernen, schalten Sie das Gerät bitte aus.

**⚠ VORSICHT:** Halten Sie das Gerät und die Batterie gut fest, wenn Sie die Batterie einsetzen oder entfernen. Wenn Sie Gerät oder Batterie nicht gut festhalten, können Ihnen diese aus den Händen gleiten und zu Schäden am Gerät oder der Batterie sowie zu Verletzungen führen.

Um das Batteriefach einzusetzen, müssen Sie den hervorstehenden Teil des Batteriefachs in die Aussparung des Gehäuses einrasten lassen. Legen Sie die Batterie vollständig ein, bis Sie ein kleines Klicken hören können. Wenn Sie die rote Anzeige sehen können, wie in der Abbildung gezeigt, ist sie nicht vollständig gesperrt. Um die Batterie zu entfernen, ziehen Sie sie aus dem Gerät heraus, und drücken Sie gleichzeitig die Taste auf der Vorderseite des Einsatzes.



### **⚠ VORSICHT:**

Stecken Sie die Batterie stets soweit ein, bis die rote Anzeige nicht mehr zu sehen ist. Falls Sie das nicht tun, kann es passieren, dass die Batterie aus dem Gerät fällt, was zu Verletzungen führen kann.

### **⚠ VORSICHT:**

Drücken Sie die Batterie nicht gewaltsam in Position. Falls die Batterie nicht leicht einzusetzen ist, machen Sie etwas falsch.

## **Zeigt die übrige Leistung der Batterie an (Fig. 3)**

Drücken Sie die Prüftaste an der Batterie, um die restliche Batteriekapazität anzuzeigen. Die Anzeigelampe leuchtet einige Sekunden lang auf.

Anzeigelampen			Übrige Kapazität
Leuchtend	Aus	Blinkend	
■	□	▬	75 % bis 100 %
■ ■ ■ ■	□		50 % bis 75 %
■ ■ □ □			25 % bis 50 %
■ □ □ □			0 % bis 25 %
▬ □ □ □			Batterie aufladen.
■ ■ □ □ ↑ ↓	□ □ ■ ■		Die Batterie hat eventuell eine Fehlfunktion.

### **HINWEIS:**

Je nach den Nutzungsbedingungen und der Umgebungstemperatur, kann die Anzeige sich etwas von der tatsächlichen Kapazität unterscheiden.

### **HINWEIS:**

Die erste (ganz linke) Anzeigeleuchte leuchtet auf, wenn der Batterieschutz in Betrieb ist.

## **Geräte / Batterieschutzsystem**

Das Gerät ist mit einem Schutzsystem ausgestattet, durch das die Ausgangsspannung automatisch abgeschaltet wird, um die Lebensdauer zu verlängern.

### **Schutz vor Überentladung**

Wenn die Batteriekapazität nicht ausreicht, stellt das Gerät automatisch den Betrieb ein. Entfernen Sie in diesem Fall die Batterie aus dem Werkzeug und laden Sie sie auf.

### **Schutz gegen andere Ursachen**

Das Schutzsystem ist auch für andere Gründe ausgelegt, die das Gerät beschädigen können, und ermöglicht das automatische Stoppen des Geräts. Wenn das Gerät vorübergehend ausfällt oder nicht mehr läuft, führen Sie die folgenden Schritte aus, um die Ursache zu beseitigen.

1. Schalten Sie das Gerät aus und es wieder ein, um es neu zu starten.
2. Laden Sie den Akku auf oder ersetzen Sie ihn/sie durch einen aufgeladenen Akku.
3. Geräte und Batterien abkühlen lassen.

Wenn durch die Wiederherstellung des Schutzsystems keine Verbesserung vorkommt, wenden Sie sich an Ihr lokales Makita Service Center.

## **Die Licht- und Helligkeitsauswahl (Fig. 4)**

### **⚠ VORSICHT:**

Sehen Sie nicht direkt in das Licht oder die Lichtquelle.

1. Schalter: Die Helligkeitssequenzen sind: Hochmodus (ein)/mittlerer Modus/niedriger Modus/Aus für jede Presse.
2. Modus-Auswahl: Die Reihenfolge lautet: Volllicht/fester Lichtteil/faltbarer Lichtteil beim Drücken des Schalters.

### **HINWEIS:**

Wenn Sie es öffnen, öffnet es sich im gleichen Beleuchtungsmodus wie bei der letzten Verwendung.

## **Anzeige für niedrigen Batteriestand (Fig. 5)**

Wenn der Akku leer ist, erlischt das LED-Licht, wie in der Abbildung gezeigt, nur ein LED-Licht erlischt. Nach etwa fünf bis zehn Minuten schaltet sich das Gerät automatisch ab.

## **BETRIEB**

### **⚠ VORSICHT:**

Wie in fig. 4 gezeigt, drehen Sie beim Aufstellen des Geräts den LED-Lichtstreifen und falten Sie die faltbare Lichtkomponente herunter, um die Balance des Geräts zu stabilisieren. Andernfalls kann es fallen und Personenschäden verursachen.

## **Winkel des LED-Lichtstreifens (Fig. 6, Fig. 7)**

### **⚠ VORSICHT:**

Achten Sie darauf, dass Sie sich beim Einstellen des Winkels nicht die Finger einklemmen.

### **⚠ VORSICHT:**

Stellen Sie sicher, dass die faltbaren Lichtkomponenten in der gefalteten und gefalteten Position sicher verbunden sind.

LED Lichtstreifen können alle 45° verwendet werden. Drehen Sie sich in sieben Stufen.

(Rechts 90°, 180° nach links)

Faltbare Leuchten können auf 0° gebogen werden Oder 180°.

## **Metallhaken (Fig. 8)**

Wenn Sie einen Metallhaken verwenden, heben Sie den Metallhaken an und schieben Sie ihn in die mittlere Position.

## **Band (Fig. 9)**

### **⚠ VORSICHT:**

Verwenden Sie den Ring und das Gurtloch nicht für andere Zwecke außer zum Einbau des Gurtes. Andernfalls kann es zu Personenschäden kommen.

Installieren Sie den Haltegurt wie in der Abbildung gezeigt.

## Montage der Klammer in den Teleskophaken (Fig. 10, Fig. 11)

### ⚠ VORSICHT:

Wenn Sie den Klammer in den Teleskophaken einbauen, drücken Sie nicht mit den Fingern.

Installieren Sie den Klammer in den Teleskophaken, wie in der Abbildung gezeigt.

### HINWEIS:

Stellen Sie sicher, dass die Klammerklemme in das Positionierloch der Klammerklemme auf der Hauptstange gleitet.

### HINWEIS:

Stellen Sie sicher, dass die Ausrichtung der beiden Klammern gleich ist.

## Installieren Sie elektrische Geräte auf dem Teleskophaken (Fig. 12)

Wie in der Abbildung gezeigt, installieren Sie das Gerät mit einer Klammer am Teleskophaken.

### HINWEIS:

Stellen Sie sicher, dass sich die Klammern sicher in der Klemmposition des Geräts befinden.

## Montage des Teleskophaken (Fig. 13)

### ⚠ VORSICHT:

Hängen Sie nichts anderes als Geräte an den Teleskophaken. Andernfalls kann es den Bügelhaken beschädigen und Personenschäden verursachen.

### ⚠ VORSICHT:

Stellen Sie sicher, dass alle Teile vor Gebrauch sicher befestigt sind.

### ⚠ VORSICHT:

Wenn Sie den Teleskophaken installieren, halten Sie die Hauptstange und den Klammerhaken für den Betrieb. Kneifen Sie nicht Ihre Hände oder Finger, da die innere Stange unter Einwirkung der Feder in ihre ursprüngliche Position zurückkehrt.

Halten Sie den Bügelhaken fest und installieren Sie ihn in der gewünschten Position.

Halten Sie den anderen Haken während Sie den Teleskophaken ausziehen, um ihn in der gewünschten Position (auf der anderen Seite) zu installieren.

Schalten Sie das Gerät ein und stellen Sie den Beleuchtungswinkel ein, um die gewünschte Position zu beleuchten, wie in der Abbildung gezeigt.

### HINWEIS:

Wenn Sie Hochleistungsbatterien verwenden, drehen Sie nur den LED-Lichtstreifen, um den Winkel einzustellen.

## WARTUNG

### ⚠ VORSICHT:

Achten Sie stets darauf, dass das Werkzeug ausgeschaltet ist und dass die Batterie entfernt wurde, bevor Sie Inspektions- oder Wartungsarbeiten durchführen.

### HINWEIS:

Verwenden Sie niemals Benzin, Leichtbenzin, Verdünner, Alkohol oder ähnliches. Dies kann zu Verfärbungen, Verformungen oder Rissen führen.

Um die Produkt-SICHERHEIT und ZUVERLÄSSIGKEIT beizubehalten, dürfen sonstige Wartungs- und Einstellarbeiten nur von einem vom Makita zugelassenen oder von einem Werks-Kundendienst durchgeführt werden, der ausschließlich Ersatzteile von Makita verwendet.

## Reinigung

### ⚠ VORSICHT:

Waschen Sie das Gerät niemals mit Wasser. Wischen Sie gelegentlich die Außenseite des Gerätes mit einem in Seifenwasser getauchten Tuch ab.

## ZUBEHÖR

### ⚠ VORSICHT:

Dieses Zubehör und die Zubehörteile können nur für das Makita-Gerät empfohlen werden, das in diesem Handbuch beschrieben ist. Wenn Sie anderes Zubehör oder Zubehörteile verwenden, besteht Verletzungsrisiko. Verwenden Sie Zubehör oder Zubehörteile nur für den angegebenen Zweck.

Falls Sie Hilfe zu bestimmtem Zubehör benötigen, wenden Sie sich an den örtlichen Makita-Kundendienst.

- Originalbatterie und Ladegerät von Makita

### HINWEIS:

Einige Artikel in der Liste können als Standardzubehör im Ausstattungspaket enthalten sein.

Dies kann je nach Land unterschiedlich sein.

## ITALIANO (Istruzioni originali)

1	Gancio telescopico	2	Barra luminosa a LED	3	Pulsante	4	Cartuccia della batteria	5	Spia rossa	6	Spie luminose	7	Pulsante di controllo	8	Parte della luce fissa (LED-24 pz)
9	Parte della luce pieghevole (LED-18 pz)	10	Interruttore	11	Selettore di modalità	12	Indicatore della batteria scarica	13	Parte mobile	14	Gancio metallico	15	Cinghia	16	Anello
17	Foro per la cinghia	18	Foro di posizionamento della clip portante	19	Barra principale	20	Barra interna	21	Clip portante	22	Gancio di supporto	23	Posizione bloccata		

## INDICAZIONI

Modello:		DML818
Luce	Flusso luminoso (H/M/L)	1.700 lm /800 lm /400 lm
	Dimensioni (L × P × H) (senza cartuccia della batteria)	975 mm × 80 mm × 101 mm
	Tensione nominale	D.C. 14,4 V / 18 V
	Peso netto (senza cartuccia della batteria)	1.1 kg
Gancio telescopico	Dimensioni (L × P × H) (con clip)	1.181 mm × 99 mm × 259 mm
	Peso netto (con clip)	1.5 kg
	Larghezza disponibile*	1.130 mm - 1.900 mm

- Le indicazioni possono variare da paese a paese.
- A causa del nostro continuo programma di ricerca e sviluppo, le indicazioni ivi contenute sono soggette a modifiche senza preavviso.
- \* La larghezza effettivamente disponibile potrebbe essere diversa, dipende dalla posizione e della forma.

## Cartuccia della batteria applicabile e caricatore

Cartuccia della batteria	14,4 V	BL1415N / BL1430B / BL1440 / BL1460B
	18 V	BL1815N / BL1820B / BL1830B / BL1840B / BL1850B / BL1860B
Caricatore	DC18RC / DC18RD / DC18RE / DC18SD / DC18SE / DC18SF / DC18SH / DC18WC	

- Alcune cartucce delle batterie sopra elencate potrebbero non essere disponibili a seconda della propria regione di residenza.

**⚠ ATTENZIONE:** Utilizzare esclusivamente le batterie sopra elencate. L'uso di qualsiasi altra batteria può causare lesioni e/o incendi.

## Tempo di funzionamento

Cartuccia batteria applicabile	Tempo di funzionamento (approssimativo)		
	Luce intera (LED-42 pz)		
	Alto	Medio	Basso
BL1415N	1,0 ore	2,2 ore	4,0 ore
BL1430B	1,6 ore	3,5 ore	7,0 ore
BL1440	2,6 ore	5,5 ore	11 ore
BL1460B	3,3 ore	7,0 ore	15 ore
BL1815N	1,3 ore	2,8 ore	5,5 ore
BL1820B	1,7 ore	3,5 ore	7,5 ore
BL1830B	2,4 ore	5,0 ore	10 ore
BL1840B	3,0 ore	7,0 ore	15 ore
BL1850B	4,0 ore	9,5 ore	19 ore
BL1860B	5,0 ore	11 ore	23 ore

- I tempi di funzionamento riportati nella tabella precedente rappresentano una guida di riferimento. Essi possono differire dai tempi di funzionamento effettivi.
- La cartuccia della batteria può variare da paese a paese.
- I tempi di funzionamento possono variare a seconda del tipo di batteria, dello stato di carica e delle condizioni di utilizzo.

## Simboli

Di seguito sono riportati i simboli che potrebbero essere utilizzati per l'apparecchiatura. Assicurarsi di averne compreso il significato prima dell'uso.



- Leggere il manuale di istruzioni.



- Solamente per i paesi dell'UE Per la presenza di componenti pericolosi all'interno dell'apparecchiatura, i rifiuti di apparecchiature elettriche ed elettroniche, accumulatori e batterie possono avere un impatto negativo sull'ambiente e sulla salute umana. Si prega di non smaltire gli apparecchi elettrici ed elettronici o batterie insieme ai rifiuti domestici! In accordo con la Direttiva europea relativa ai rifiuti di apparecchiature elettriche ed elettroniche, agli accumulatori e batterie, rifiuti di accumulatori e batterie, nonché il loro adattamento alla legge nazionale, i rifiuti di apparecchiature elettriche, batterie e accumulatori devono essere stoccati in maniera separata e consegnati a un punto di raccolta separato per i rifiuti urbani, agendo rispettando le norme di tutela ambientale. Questo è indicato dal simbolo del cassonetto con una barra posto sull'apparecchiatura.



- Radiazioni ottiche (UV e IR).  
Ridurre al minimo l'esposizione agli occhi o alla pelle.



- Non fissare la lampada operatoria.



- Utilizzare una schermatura appropriata o una protezione per gli occhi.



- Prestare particolare attenzione!



- Solo per uso interno



- Solo per uso interno

## ISTRUZIONI IMPORTANTI RELATIVE ALLA SICUREZZA

### **AVVERTENZA:**

Non fissare gli apparecchi in funzione per ridurre il rischio di lesioni, le gravi lesioni oculari potrebbero verificarsi.

### **ATTENZIONE:**

Quando si utilizzano gli apparecchi, è necessario seguire sempre le precauzioni di sicurezza di base per ridurre il rischio di incendi, scosse elettriche e lesioni personali, tra cui le seguenti:

## LEGGERE TUTTE LE ISTRUZIONI.

1. La supervisione stretta è necessaria quando l'apparecchio è utilizzato vicino ai bambini per ridurre il rischio di lesioni.
2. Non mettere l'apparecchio in acqua o altro liquido per ridurre il rischio di scosse elettriche, Non esporre o conservare l'apparecchio dove potrebbe cadere o essere tirato in una vasca da bagno o in un lavandino.
3. Non coprire l'apparecchio con una stoffa o un cartone, ecc. Altrimenti potrebbe causare una fiamma.
4. Non toccare l'interno dell'apparecchio con pinzette, strumenti metallici, ecc.
5. Non esporre l'apparecchio alla pioggia o alla neve. Non lavarlo in acqua.
6. Non toccare l'interno dell'apparecchio con pinzette, strumenti metallici, ecc.
7. Non contattare le parti calde.
8. Quando l'apparecchio non è in uso, spegnere sempre e rimuovere la batteria dall'apparecchio.
9. Non fare cadere l'apparecchio, non esporlo a urti, ecc.
10. Usare solo gli allegati raccomandati o venduti dal produttore.
11. Conservare il prodotto al chiuso quando non in uso. Tenere fuori dalla portata dei bambini.
12. Informazioni di sicurezza per apparecchi portatili a batteria.
  - Lo smaltimento delle batterie deve essere conforme alle normative locali sullo smaltimento dei materiali pericolosi.
  - Non bruciare la batteria.
13. Informazioni supplementari per gli apparecchi di illuminazione.
  - La sorgente luminosa di questo apparecchio non è sostituibile; quando la sorgente luminosa raggiunge la fine del ciclo di vita, l'intero apparecchio deve essere sostituito.
14. Utilizzo e manutenzione dell'utensile a batteria.
  - **AVVERTENZA:** Leggere tutte le avvertenze di sicurezza e le istruzioni. L'inosservanza delle avvertenze e delle istruzioni può causare scosse elettriche, incendi e/o gravi lesioni.
  - Evitare l'avviamento accidentale. Accertarsi che l'interruttore sia in posizione off prima di collegare il pacco batteria, prelevare o trasportare l'apparecchio. Il trasporto dell'apparecchio con il dito sull'interruttore o dell'apparecchio energizzante che ha l'interruttore acceso, è indice di incidenti.
  - Scollegare il pacco batteria dall'apparecchio prima di effettuare regolazioni, cambiare gli accessori o riporre l'apparecchio. Tali misure di sicurezza preventive riducono il rischio di avviamento accidentale dell'apparecchio.
  - Ricaricare solo con il caricabatterie specificato dal produttore. Un caricabatterie adatto ad un tipo di batteria può creare il rischio di incendio se utilizzato con un altro tipo di batteria.
  - Utilizzare gli apparecchi solo con i pacchi batterie appositamente predisposti. L'uso di altri pacchi batteria può creare un rischio di lesioni e di incendio.
  - Quando il pacco batteria non viene utilizzato, tenerlo lontano da altri oggetti metallici, come graffette, monete, chiavi, chiodi, viti o altri piccoli oggetti metallici, che possono effettuare un collegamento da un terminale all'altro. Il cortocircuito tra i terminali della batteria può causare ustioni o incendi.
  - In condizioni abusive, il liquido può essere espulso dalla batteria; evitare il contatto. In caso di contatto accidentale, sciacquare con acqua. Se il liquido entra in contatto con gli occhi, consultare inoltre un medico. Il liquido espulso dalla batteria può causare irritazione o ustioni.
  - Non utilizzare batterie o apparecchi danneggiati o modificati. Batterie danneggiate o modificate possono presentare un comportamento imprevedibile con conseguente rischio di incendio, esplosione o rischio di lesioni.
  - Non esporre un pacco batterie o un apparecchio al fuoco o a temperature eccessive. L'esposizione al fuoco o a temperature superiori a 130 °C (265 °F), può causare esplosione.
  - Seguire tutte le istruzioni di carica e non caricare il pacco batteria o l'apparecchio al di fuori dell'intervallo di temperatura specificato nelle istruzioni. Una carica impropria o a temperature al di fuori dell'intervallo di temperatura specificato può danneggiare la batteria e aumentare il rischio di incendio.

- Far eseguire la manutenzione da un riparatore qualificato utilizzando solo pezzi di ricambio identici. In questo modo si garantisce il mantenimento della sicurezza del prodotto.
  - Non modificare o tentare di riparare l'apparecchio o il pacco batteria se non come indicato nelle istruzioni per l'uso e la manutenzione.
15. Importanti istruzioni di sicurezza per la cartuccia della batteria.
- Prima di utilizzare la cartuccia della batteria, leggere tutte le istruzioni e i segni di attenzione (1) sul caricabatterie, (2) sulla batteria e (3) sul prodotto che utilizza la batteria.
  - Non smontare o manomettere la cartuccia della batteria. Può provocare un incendio, un calore eccessivo o un'esplosione.
  - Se il tempo di funzionamento si è ridotto eccessivamente, interrompere immediatamente l'utilizzo. Ciò può comportare il rischio di surriscaldamento, possibili ustioni e persino un'esplosione.
  - Se l'elettrolito entra negli occhi, sciacquarli con acqua pulita e consultare immediatamente un medico. Ciò può comportare la perdita della vista.
  - Non causare il cortocircuito della cartuccia della batteria.
  - Non conservare e usare l'apparecchio e la cartuccia della batteria in luoghi dove la temperatura può raggiungere o superare i 50 °C (122 °F).
  - Non incenerire la batteria anche se gravemente danneggiata o completamente esaurita. La batteria può esplodere in caso di incendio.
  - Non inchiodare, tagliare, frantumare, schiacciare, lanciare, far cadere la cartuccia della batteria o colpire la cartuccia della batteria con un oggetto duro. Ciò può provocare un incendio, un calore eccessivo o un'esplosione.
  - Non utilizzare una batteria danneggiata.
  - Le batterie agli ioni di litio sono soggette ai requisiti della legislazione sulle merci pericolose. Per i trasporti commerciali, ad esempio da parte di terzi, spedizionieri, devono essere rispettati i requisiti speciali per l'imballaggio e l'etichettatura. Per la preparazione dell'articolo da spedire è necessario consultare un esperto di materiali pericolosi. Si prega di osservare anche le eventuali disposizioni nazionali più dettagliate. Coprire con un nastro adesivo i contatti scoperti e imballare la batteria in modo tale che non possa muoversi nell'imballaggio.
  - Utilizzare le batterie solo con i prodotti indicati da Makita. L'installazione delle batterie su prodotti non conformi può provocare incendi, eccessivo calore, esplosione o perdita di elettrolita.
  - Se l'utensile non viene utilizzato per un lungo periodo di tempo, la batteria deve essere rimossa dall'utensile.
  - Durante e dopo l'uso, la cartuccia della batteria può assumere calore che può causare ustioni o ustioni a bassa temperatura. Prestare attenzione alla manipolazione delle cartucce a batteria calda.
  - Non toccare il terminale dell'utensile subito dopo l'uso perché potrebbe diventare abbastanza caldo da causare ustioni.
  - Non lasciare che schegge, polvere o sporcizia si incastrino nei terminali, nei fori e nelle scanalature della cartuccia della batteria. Ciò può comportare prestazioni scadenti o il guasto dell'utensile o della cartuccia della batteria.
  - A meno che l'utensile non supporti l'uso in prossimità di linee elettriche ad alta tensione, non utilizzare la cartuccia della batteria in prossimità di linee elettriche ad alta tensione. Ciò può comportare malfunzionamenti o il guasto dell'utensile o della cartuccia della batteria.
  - Tenere la batteria lontano dai bambini.

## CONSERVARE LE PRESENTI ISTRUZIONI.

**⚠ ATTENZIONE:** Utilizzare solo batterie originali Makita. L'uso di batterie non originali Makita, o di batterie che sono state alterate, può provocare lo scoppio della batteria causando incendi, lesioni personali e danni. Si annulla anche la garanzia Makita per l'utensile e il caricabatterie Makita.

16. Suggestioni per mantenere la massima durata della batteria.
- Caricare la cartuccia della batteria prima di scaricarla completamente. Spegnerne sempre dell'apparecchio e ricaricare la cartuccia della batteria quando l'apparecchio mostra un calo di potenza.
  - Non ricaricare mai una batteria completamente carica. Una carica eccessiva riduce la durata della batteria.
  - Caricare la batteria a temperatura ambiente a 10 °C - 40 °C (50 °F - 104 °F). Lasciare raffreddare una batteria calda prima di caricarla.
  - Quando non si utilizza la cartuccia della batteria, rimuoverla dall'utensile o dal caricabatterie.
  - Caricare la cartuccia della batteria se non viene utilizzata per un lungo periodo (più di sei mesi).

## DESCRIZIONE FUNZIONALE

**⚠ ATTENZIONE:** Assicurarsi sempre che l'apparecchio sia spento e che la batteria sia stata rimossa prima di regolare o controllare il funzionamento dell'apparecchio.

## Installazione o rimozione della cartuccia della batteria (Fig. 2)

**⚠ ATTENZIONE:** Spegnerne sempre l'apparecchio prima di installare o rimuovere la cartuccia della batteria.

**⚠ ATTENZIONE:** **Tenere saldamente l'apparecchio e la cartuccia della batteria durante l'installazione o la rimozione della cartuccia della batteria.**

La mancata presa salda dell'apparecchio e della cartuccia della batteria può causare lo scivolamento delle mani e causare danni all'apparecchio e alla cartuccia della batteria e lesioni personali.

Per installare la cartuccia della batteria, allineare la linguetta presente sulla cartuccia con la scanalatura dell'alloggiamento e inserirla in posizione. Inserirlo completamente fino a quando non si blocca in posizione con un piccolo clic. Se è visibile l'indicatore rosso come viene mostrato in figura, non è bloccato in maniera completa.

Per rimuovere la cartuccia della batteria, farla scorrere dall'apparecchio facendo scorrere il pulsante sulla parte anteriore della cartuccia.

### ⚠ **ATTENZIONE:**

Installare la cartuccia della batteria sempre completamente fino a quando l'indicatore rosso non è visibile. In caso contrario, potrebbe cadere accidentalmente dall'apparecchio, causando lesioni all'utente o alle persone che lo circondano.

### ⚠ **ATTENZIONE:**

Non installare la cartuccia della batteria con la forza. Se la cartuccia non scorre facilmente, non viene inserita correttamente.

## Indicazione della capacità residua della batteria (Fig. 3)

Premere il pulsante di controllo sulla cartuccia della batteria per indicare la capacità residua della batteria. Le spie si accendono per alcuni secondi.

Spie luminose			Capacità residua
■ Illuminato	□ Spento	▧ Lampeggiante	
■ ■ ■ ■	□ □ □ □		dal 75% al 100%.
■ ■ ■ □	□ □ □ □		dal 50% al 75%.
■ ■ □ □	□ □ □ □		dal 25% al 50%.
■ □ □ □	□ □ □ □		dal 0% al 25%.
▧ □ □ □	□ □ □ □		Caricare la batteria.
■ ■ □ □	□ □ □ □	↑ ↓	La batteria potrebbe non funzionare correttamente.

### **NOTA:**

A seconda delle condizioni d'uso della temperatura ambiente, l'indicazione può differire leggermente dalla capacità effettiva.

### **NOTA:**

La prima spia (all'estrema sinistra) si accenderà quando il sistema di protezione della batteria funziona.

## Sistema di protezione dell'apparecchio / batteria

L'apparecchio è dotato di un sistema di protezione che interrompe automaticamente la potenza di uscita per assicurare una lunga durata di servizio.

### Protezione da sovrascarica

Quando la capacità della batteria non è sufficiente, l'apparecchio si ferma automaticamente. In questo caso, rimuovere la batteria dall'apparecchio e caricare la batteria.

### Protezioni da altre cause

Il sistema di protezione è stato progettato anche per altre cause che potrebbero danneggiare l'apparecchio e permette l'arresto in automatico dell'apparecchio. Eseguire tutti i passaggi seguenti per eliminare le cause, quando l'apparecchio è stato arrestato temporaneamente o si è fermato in funzione.

1. Spegner l'apparecchio, dopo di che riaccenderlo per riavviarlo nuovamente.
2. Caricare la/e batteria/e o sostituirla/e con batteria/e ricaricata/e.

3. Lasciare che l'apparecchio e la/e batteria/e si raffreddino.

Se ripristinando il sistema di protezione non vi è alcun miglioramento, contattare il Centro di Assistenza Makita locale.

## Accensione della selezione della modalità di luce e luminosità (Fig. 4)

### ⚠ **ATTENZIONE:**

Non guardare la luce o la fonte luminosa in modo diretto.

1. Cambio: Sequenza di luminosità: Modalità alta (On) / Modalità media / Modalità bassa / Off per ogni volta di premere il pulsante.
2. Selettore di modalità: Sequenza di illuminazione: Luce intera / Parte della luce fissa / Parte della luce pieghevole per ogni pressione quando l'interruttore è acceso.

### **NOTA:**

Quando si accende l'apparecchio, sarà attivata la stessa modalità di luce dell'ultima volta che si utilizza.

## Indicatore della batteria scarica (Fig. 5)

Quando la batteria diventa scarica, le luci a LED si spengono tranne una luce a LED come illustrato. Quindi, approssimativamente cinque a dieci minuti dopo, l'apparecchio si spegne automaticamente.

## FUNZIONAMENTO

### ⚠ **ATTENZIONE:**

Ruotare la barra luminosa a LED e piegare la parte della luce pieghevole per stabilizzare l'equilibrio dell'apparecchio quando si mette l'apparecchio in posizione dritta come mostrato in fig.4. In caso contrario, l'apparecchio potrebbe cadere e le lesioni personali potrebbero verificarsi.

## Angolo della barra luminosa a LED (Fig. 6, Fig. 7)

### ⚠ **ATTENZIONE:**

Fare attenzione a non intrappolare le dita quando si regola l'angolo della luce.

### ⚠ **ATTENZIONE:**

Assicurarsi che la parte della luce fissa e la parte della luce pieghevole siano bloccate saldamente insieme nelle posizioni piegata e stesa rispettivamente.

La barra luminosa a LED può essere ruotata in sette fasi e bloccata a ogni 45°. (90° alla destra, 180° alla sinistra) La parte della luce pieghevole può essere bassata di 0° o 180°.

## Gancio metallico (Fig.8)

Sollevarlo e far scorrere il gancio metallico in posizione centrale durante l'utilizzo del gancio metallico.

## Cinghia (Fig. 9)

### **ATTENZIONE:**

Non utilizzare l'anello e il foro della cinghia per scopi diversi da quello di installare la cinghia. Altrimenti si potrebbero verificarsi delle lesioni personali.

Installare la cinghia sull'apparecchio come illustrato.

## Installazione delle clip portanti nel gancio telescopico (Fig. 10, Fig. 11)

### **ATTENZIONE:**

Prestare attenzione a non pizzicarsi le dita durante l'installazione delle clip portanti nel gancio telescopico.

Installare la clip portante nel gancio telescopico come illustrato.

### **NOTA:**

Assicurarsi che ogni clip portante sia fatta scorrere al foro di posizionamento della clip portante sulla barra principale.

### **NOTA:**

Assicurarsi che le due clip portanti siano nella stessa direzione di installazione.

## Installazione dell'apparecchio sul gancio telescopico (Fig. 12)

Installare l'apparecchio sul gancio telescopico dalle clip portanti come illustrato.

### **NOTA:**

Assicurarsi che ogni clip portante tenga la posizione bloccata dell'apparecchio.

## Montaggio del gancio telescopico (Fig. 13)

### **ATTENZIONE:**

Non appendere niente qualcos'altra che l'apparecchio sul gancio telescopico. Altrimenti i ganci di sostegno potrebbero essere danneggiati e le lesioni personali potrebbero verificarsi.

### **ATTENZIONE:**

Assicurarsi che ogni parte sia fissata saldamente prima dell'uso.

### **ATTENZIONE:**

Operare tenendo la barra principale e i ganci di sostegno durante il montaggio del gancio telescopico. Prestare attenzione a non pizzicarsi le mani e le dita perché la barra interna viene ritornata alla sua posizione originale dalla forza delle molle.

Tenere un gancio di sostegno per montarlo dove si vuole.

Tenere un altro gancio di sostegno mentre si estende il gancio telescopico per montarlo nel posto desiderato (un altro lato).

Accendere l'apparecchio ed aggiustare l'angolo di illuminazione dell'apparecchio per illuminare il posto desiderato come illustrato.

### **AVVISO:**

Se si utilizza la batteria pesante, ruotare solo la barra luminosa a LED per regolazione dell'angolo di illuminazione.

## MANUTENZIONE

### **ATTENZIONE:**

Prima di procedere a qualsiasi controllo o manutenzione, assicurarsi sempre che l'apparecchio sia spento e che la cartuccia della batteria sia stata rimossa.

### **AVVISO:**

Non utilizzare mai gasolina, benzina, diluenti, alcool o simili. Possono verificarsi scolorimento, deformazioni o crepe.

Per mantenere la SICUREZZA e l'AFFIDABILITÀ del prodotto, le riparazioni, la manutenzione o la regolazione devono essere eseguite presso Centri di assistenza locale o autorizzati Makita, utilizzando sempre parti di ricambio Makita.

## Pulizia

### **ATTENZIONE:**

Non lavare mai l'apparecchio in acqua. Pulire periodicamente l'esterno (corpo dell'apparecchio) dell'apparecchio con un panno inumidito con acqua e sapone.

## ACCESSORI OPZIONALI

### **ATTENZIONE:**

Questi accessori o allegati sono raccomandati per l'uso con l'apparecchio Makita specificato in questo manuale. L'uso di qualsiasi altro accessorio o allegato può comportare il rischio di lesioni alle persone. Utilizzare l'accessorio o l'allegato solo per lo scopo dichiarato.

Se avete bisogno di assistenza per maggiori dettagli su questi accessori, rivolgetevi al centro di assistenza Makita di zona.

- Batteria e caricabatterie originali Makita

### **NOTA:**

Alcuni elementi della lista possono essere inclusi nel pacchetto dell'apparecchio come accessori standard. Possono differire da paese a paese.

## NEDERLANDS (Originele instructies)

1	Uitschuifbare haak	2	LED-balk	3	Knop	4	Batterijpatroon	5	Rode indicator	6	Indicatorlamp	7	Controleknop	8	Vast lichtdeel (LED-24 stuks)
9	Opvouwbaar lichtdeel (LED-18 stuks)	10	Schakelaar	11	Modusselector	12	Lage batterij-indicator	13	Verplaatsbaar onderdeel	14	Metalen haak	15	Riem	16	Ring
17	Riempening	18	Positiegat voor draagclips	19	Hoofdbalk	20	Binnenste balk	21	Draagclip	22	Houderhaak	23	Geknipte positie		

## SPECIFICATIES

Model:		DML818
Licht	Lichtstroom (H/M/L)	1.700 lm / 800 lm / 400 lm
	Afmetingen (L × B × H) (zonder batterijcartridge)	975 mm × 80 mm × 101 mm
	Nominale spanning	D.C. 14,4 V / 18 V
	Nettogewicht (zonder batterijpatroon)	1,1 kg
Uitschuifbare haak	Afmetingen (L × B × H) (met clips)	1.181 mm × 99 mm × 259 mm
	Nettogewicht (met clips)	1,5 kg
	Beschikbare breedte *	1.130 mm - 1.900 mm

- Specificaties kunnen van land tot land verschillen.
- Omdat wij een programma van voortdurend onderzoek en ontwikkeling uitvoeren kunnen de specificaties die hierin worden vermeld, zonder voorafgaande kennisgeving worden gewijzigd.
- \* De werkelijke beschikbare breedte kan variëren afhankelijk van de locatie en vorm.

## Geschikte batterijpatroon en lader

Batterijpatroon	14,4 V	BL1415N / BL1430B / BL1440 / BL1460B
	18 V	BL1815N / BL1820B / BL1830B / BL1840B / BL1850B / BL1860B
Lader	DC18RC / DC18RD / DC18RE / DC18SD / DC18SE / DC18SF / DC18SH / DC18WC	

- Enkele van de batterijpatronen die hierboven worden vermeld, zullen afhankelijk van uw geografische locatie of woonplaats misschien niet verkrijgbaar zijn.

**⚠ WAARSCHUWING: Gebruik alleen de hierboven vermelde batterijpatronen.** Gebruik van een andere batterijpatroon kan letsel en/of brand tot gevolg hebben.

## Bedrijfstijd

Geschikte batterijpatroon	Bedijfstijd (Bij benadering)		
	Geheel licht (LED-42 stuks)		
	Hoog	Medium	Laag
BL1415N	1,0 uur	2,2 uur	4,0 uur
BL1430B	1,6 uur	3,5 uur	7,0 uur
BL1440	2,6 uur	5,5 uur	11 uur
BL1460B	3,3 uur	7,0 uur	15 uur
BL1815N	1,3 uur	2,8 uur	5,5 uur
BL1820B	1,7 uur	3,5 uur	7,5 uur
BL1830B	2,4 uur	5,0 uur	10 uur
BL1840B	3,0 uur	7,0 uur	15 uur
BL1850B	4,0 uur	9,5 uur	19 uur
BL1860B	5,0 uur	11 uur	23 uur

- De bedrijfstijden in de bovenstaande tabel zijn een ruwe richtlijn. Zij kunnen verschillen van de werkelijke bedrijfstijden.
- Batterijpatroon kan van land tot land verschillen.
- Bedrijfstijden kunnen verschillen afhankelijk van batterijtype, laadstatus en gebruiksconditie.



## Symbolen

Hieronder staan de symbolen die voor de apparatuur kunnen worden gebruikt. Het is belangrijk dat u hiervan de betekenis begrijpt vóór gebruik.



- Lees de instructiehandleiding.



- Alleen voor EU landen. Vanwege de aanwezigheid van de gevaarlijke onderdelen in de apparatuur kunnen het elektrische afval en elektronische apparatuur, accu's en batterijen een negatieve invloed hebben op het milieu en de menselijke gezondheid. Gooi geen elektrische en elektronische apparaten of batterijen met huishoudelijk afval! In overstemming met de Europese Richtlijn over het elektrische afval en elektronische apparatuur, accu's en batterijen en afgedankte accu's en batterijen, alsmede hun aanpassing aan de nationale wetten, zullen elektrische afval en elektronische apparatuur, batterijen en accu's apart worden opgeslagen en worden afgeleverd bij een afzonderlijk. Dit wordt getoond door het symbool van de doorgestreepte wielenbak die op de apparatuur wordt geplaatst.



- Optische Straling (UV en IR). Beperk blootstelling van ogen of huid zoveel mogelijk.



- Kijk niet in de werkende lamp.



- Gebruik geschikte afscherming of oogbescherming.



- Wees bijzonder zorgvuldig en oplettend!



- Alleen voor gebruik binnenshuis

## BELANGRIJKE VEILIGHEIDSINSTRUCTIES

### ⚠ WAARSCHUWING:

Om het risico op letsel te verminderen, staar niet naar werkende apparaten. Ernstig oogletsel kan optreden.

### ⚠ LET OP:

Wanneer u apparaten gebruikt, moeten eenvoudige veiligheidsmaatregelen altijd worden gevolgd zodat het risico van brand, elektrische schok en persoonlijk letsel wordt beperkt, deze maatregelen zijn onder meer:

## LEES ALLE INSTRUCTIES.

1. Om het risico op letsel te verminderen, is nauw toezicht nodig wanneer het apparaat in de buurt van kinderen wordt gebruikt.
2. Om het risico op elektrische schokken te verminderen, mag het apparaat niet in water of andere vloeistoffen worden geplaatst. Plaats of bewaar het apparaat niet waar het in een badkuip of gootsteen kan vallen of erin getrokken kan worden.
3. Bedek het apparaat niet met stof, karton, enzovoort. Anders kan dit leiden tot brand.
4. Raak de binnenzijde van het apparaat niet aan met een tang, metalen gereedschap, enz.
5. Stel het apparaat niet bloot aan regen of sneeuw. Was het niet in water.
6. Raak de binnenzijde van het apparaat niet aan met een tang, metalen gereedschap, enz.
7. Raak hete delen niet aan.
8. Schakel het apparaat altijd uit wanneer het niet in gebruik is en haal de batterijpatroon uit het apparaat.
9. Stoot het apparaat niet en laat het niet vallen, enz.
10. Gebruik alleen de aanbevolen of door de fabrikant verkochte accessoires.
11. Bewaar het product binnenshuis wanneer het niet in gebruik is. Buiten bereik van kinderen houden.
12. Veiligheidsinformatie voor draagbare armaturen met batterijen.
  - De batterijen moeten worden verwijderd conform de plaatselijke voorschriften die betrekking hebben op de verwijdering van gevaarlijke stoffen.
  - Verbrand de batterij niet.
13. Aanvullende informatie voor armaturen.
  - De bron van het licht van deze armatuur is niet vervangbaar; wanneer de bron van het licht het einde van zijn levensduur bereikt, moet de gehele armatuur worden vervangen.
14. Gebruik en verzorging van de batterij.
  - **WAARSCHUWING:** Lees alle veiligheidswaarschuwingen en instructies. Het niet opvolgen van de waarschuwingen en instructies kan leiden tot elektrische schokken, brand en/of ernstig letsel.
  - Zorg ervoor dat het apparaat niet onbedoeld kan worden ingeschakeld. Controleer dat de schakelaar in de uit-stand staat, voordat u de batterij aansluit, of het apparaat oppakt of draagt. Het apparaat dragen met uw vinger op de schakelaar of de batterij plaatsen in en apparaat dat is ingeschakeld, leidt tot ongelukken.
  - Koppel de batterij los van het apparaat voordat u wijzigingen aanbrengt, accessoires wisselt of het apparaat opbergt. Dergelijke preventieve veiligheidsmaatregelen beperken het risico dat het apparaat per ongeluk wordt ingeschakeld.
  - Laad alleen op met de lader die door de fabrikant wordt genoemd. Een lader die geschikt is voor het ene type batterij kan een risico van de hand geven bij gebruik met een andere batterij.
  - Gebruik apparaten uitsluitend met de speciaal aangeduide batterij's. Gebruik van andere batterij's kan een risico geven van letsel en brand.
  - Bewaar een batterij, wanneer u deze niet gebruikt, op enige afstand van andere metalen voorwerpen zoals paperclips, munten, sleutels, spijkers, schroeven of andere kleine metalen voorwerpen die een verbinding van de ene pool met de andere tot stand kunnen brengen. Wanneer kortsluiting ontstaat tussen de polen van de batterij kan dat brandwonden of brand veroorzaken.
  - Wanneer de batterij ruw wordt behandeld kan er vloeistof uit komen; vermijd contact hiermee. Als u per ongeluk deze vloeistof aanhaakt, spoel dan met water. Komt de vloeistof in contact met uw ogen, roep dan onmiddellijk medische hulp in. Vloeistof die uit de batterij komt kan irritatie of brandwonden veroorzaken.
  - Gebruik niet batterij's of apparaten die zijn beschadigd of waaraan wijzigingen zijn aangebracht. Beschadigde of gewijzigde batterij's kunnen onvoorspelbaar gedrag vertonen wat kan leiden tot brand, explosie of een risico van letsel.
  - Stel een batterij of apparaat niet bloot aan brand of uitzonderlijk hoge temperaturen. Blootstelling aan brand of een temperatuur boven 130 °C (265 °F) kan een explosie tot gevolg hebben.
  - Volg alle instructies voor het laden en laad de batterij of het apparaat niet op buiten het temperatuurbereik dat in de instructies wordt vermeld. Het op onjuiste wijze laden of laden buiten het opgegeven temperatuurbereik kan de batterij beschadigen en het risico van brand doen toenemen.

- Laat servicewerkzaamheden uitvoeren door een gekwalificeerde reparateur die alleen identieke vervangende onderdelen gebruikt. Dit garandeert dat de veiligheid van het product wordt gehandhaafd.
- Breng geen wijzigingen in het apparaat of de batterij aan en probeer het niet te repareren, behalve als dat wordt aangegeven in de instructies voor gebruik en onderhoud.

#### 15. Belangrijke veiligheidsinstructies voor de batterijpatroon.

- lees, voordat u de batterijpatroon gebruikt, alle instructies en markeringen op (1) de batterijlader, (2) de batterij en (3) het product dat de batterij gebruikt.
- De batterijpatroon niet demonteren of bewerken. Dit kan brand, uitzonderlijke warmteontwikkeling of explosie tot gevolg hebben.
- Als de bedrijfstijd aanzienlijk korter is geworden, stop dan onmiddellijk met het gebruik van het product. Doet u dat niet, dan kan dat oververhitting tot gevolg hebben, mogelijke brandwonden en zelfs een explosie.
- Mocht er elektrolyt in uw ogen terechtkomen, spoel uw ogen dan uit met helder water en roept onmiddellijk medische hulp in. Het kan resulteren in gezichtsvermogenverlies.
- Sluit de batterijpatroon niet kort.
- Bewaar en gebruik het gereedschap en de batterijpatroon niet op plaatsen waar de temperatuur 50 °C kan bereiken of overschrijden.
- Gooi de batterijpatroon niet in het vuur, zelfs niet als deze ernstig is beschadigd of volledig is uitgeput. De batterijpatroon kan exploderen in vuur.
- In de batterijpatroon niet spijkeren, knippen of deze verpletteren, ermee gooien, laten vallen of er met een hard voorwerp op slaan. Dit kan brand, uitzonderlijke warmteontwikkeling of explosie tot gevolg hebben.
- Gebruik niet een beschadigde batterij.
- Voor de lithium-ion batterij's geldende eisen van de Wetgeving Gevaarlijke Goederen. Voor commerciële transporten, bijvoorbeeld door externe partijen, expediteurs, moeten speciale verpakkingseisen en de labeling in acht worden genomen. Vraag bij de voorbereiding van verzending van een item het advies van een expert op het gebied van gevaarlijke materialen. Neem ook nationaal van kracht zijnde meer gedetailleerde voorschriften in acht. Open contactpunten afdekken met tape of op andere wijze en verpak de batterij zo dat deze zich niet kan verplaatsen in de verpakking.
- Gebruik de batterij's uitsluitend in de producten die door Makita worden aangeduid. Wanneer u de batterij's in producten plaatst die daarvoor niet geschikt zijn, kan dat brand, uitzonderlijke warmteontwikkeling, explosie of lekkage van elektrolyt tot gevolg hebben.
- Als het gereedschap gedurende lange tijd niet wordt gebruikt, moet u de batterij uit het gereedschap halen.
- Tijdens en na gebruik kan de batterijpatroon warmte opnemen die brandwonden of brandwonden bij lage temperatuur kan veroorzaken. Wees voorzichtig bij de omgang met hete batterijpatronen.
- Raak de klem van het gereedschap niet direct na gebruik aan, want het kan heet genoeg worden om brandwonden te veroorzaken.
- Zorg ervoor dat er geen schilfers, stof of aarde in de polen, gaten en groeven van de batterijpatroon terechtkomen. Dit kan leiden tot slechte prestaties of uitval van het gereedschap of de batterijpatroon.
- Tenzij het gereedschap het gebruik in de buurt van hoogspanningsleidingen ondersteunt, mag u de batterijpatroon niet in de buurt van hoogspanningsleidingen gebruiken. Dit kan leiden tot een defect of uitval van het gereedschap of de batterijpatroon.
- Houd de batterij uit de buurt van kinderen.

## BEWAAR DEZE INSTRUCTIES

**⚠ LET OP:** Gebruik alleen originele Makita-batterijen. Gebruik van niet-oorspronkelijke batterijen van Makita, of van batterijen waaraan veranderingen zijn aangebracht, kan ertoe leiden dat de batterij openbarst, wat brand, persoonlijk letsel en schade kan veroorzaken. Ook zal hierdoor de Makita-garantie voor het Makita-gereedschap en de lader komen te vervallen.

16. Tips voor een maximale levensduur van de batterij.
- Laad de batterij op voordat deze volledig is ontladen. Stop altijd de werking van het gereedschap en laad de batterijpatroon op wanneer u merkt dat het gereedschap minder vermogen heeft.
  - Laad nooit een volledig opgeladen batterijpatroon op. Door de batterij teveel op te laden, verkort u de levensduur van de batterij.
  - Laad de batterijpatroon op bij een kamertemperatuur van 10 °C - 40 °C (50 °F - 104 °F). Laat een batterijpatroon afkoelen voordat u deze oplaadt.
  - Verwijder de batterijpatroon uit het gereedschap of de lader wanneer u deze niet gebruikt.
  - Laad de batterijpatroon op als u deze gedurende een lange tijd niet gebruikt (meer dan zes maanden).

## FUNCTIONELE BESCHRIJVING

**⚠ LET OP:** Controleer altijd dat het apparaat is uitgeschakeld en de batterijpatroon is verwijderd, voordat u de functie van het apparaat instelt of controleert.

### De batterijpatroon plaatsen en uitnemen (Fig. 2)

**⚠ LET OP:** Schakel altijd het apparaat uit voordat u de batterijcartridge installeert of verwijdert.

**⚠ LET OP:** **Houd het apparaat en de batterijpatroon stevig vast wanneer u de batterijpatroon plaatst of uitneemt.** Wanneer u het apparaat of de batterijpatroon niet stevig vasthoudt, kunnen zij uit uw handen glijpen en kan dat leiden tot beschadiging van het apparaat en de batterijpatroon en tot persoonlijk letsel.

Plaats de batterijpatroon door de lip van de batterijpatroon tegenover de groef in de behuizing te houden en de patroon op z'n plaats te schuiven. Schuif de patroon zo ver mogelijk in het vak tot u een lichte klik hoort. Als u de rode indicator kunt zien zoals het op de afbeelding wordt getoond, betekent het dat het niet volledig vergrendeld.

Om de batterijpatroon te verwijderen, schuift u deze uit het apparaat terwijl u de knop op de voorkant van de patroon verschuift.

### ⚠ LET OP:

Plaats de batterijpatroon altijd zo ver dat u de rode indicator niet meer kunt zien. Doet u dat niet, dan kan de batterijpatroon uit het apparaat vallen, wat u of iemand bij u kan verwonden.

### ⚠ LET OP:

Gebruik geen geweld bij het plaatsen van de batterijpatroon. Als u de patroon niet gemakkelijk naar binnen kunt schuiven, plaatst u de batterij niet op juiste wijze.

## Aanduiding van de resterende batterijcapaciteit (Fig. 3)

Druk op de controleknop op de batterijpatroon zodat u kunt zien hoeveel capaciteit de batterij nog heeft. De indicatielampjes lichten enkele seconden op.

Indicatielampjes			Resterende capaciteit
Brandend	Uit	Knipperend	
■ ■ ■ ■			75% tot 100%
■ ■ ■ □			50% tot 75%
■ ■ □ □			25% tot 50%
■ □ □ □			0% tot 25%
▣ □ □ □			Laad de batterij op.
■ ■ □ □ ↑ ↓	□ □	■ ■	Misschien is er storing in de batterij opgetreden.

### NB:

Afhankelijk van de gebruikscondities en de omgevingstemperatuur kan de aanleiding wat afwijken van de werkelijke capaciteit.

### NB:

Het eerste (uiterst linkse) indicatielampje licht op wanneer het beschermingssysteem van de batterij werkt.

## Apparaat / batterij beveiligingssysteem

Het apparaat is uitgerust met een beveiligingssysteem dat het gereedschap uitschakelt voor een langere levensduur.

### Beveiliging tegen diepteontlading

Wanneer de batterijcapaciteit laag wordt, stopt het apparaat automatisch. Verwijder dan de batterij uit het gereedschap en laad de batterij op.

### Beschermingen tegen andere oorzaken.

Het beschermingssysteem wordt ook ontworpen voor andere oorzaken die het apparaat kunnen beschadigen en laat het apparaat automatisch verstopten. Neem alle volgende stappen om de oorzaken te verwijderen, wanneer het apparaat wordt gebracht tot tijdelijk stilstand of verstopt tijdens het uitvoeren.

1. Schakel het apparaat uit en dan schakel het aan nogmaals om het opnieuw te starten.
2. Oplaad de batterij(en) of vervang het/hun met opgeladen batterij(en).
3. Laat het apparaat en batterij(en) verkoeld worden.

Als geen bevordering kunt gevonden worden door het gestort beschermingssysteem, dan neemt u contact met lokaal Makita Authorized Service Center.

## De lamp inschakelen en selecteer de helderheidsmodus (Fig. 4)

### ⚠ LET OP:

Kijk niet in de lamp of direct in de lichtbron.

1. Schakelaar: De volgorde van helderheid is: Hoog modus (Aan) / Middel modus / Laag modus / Uit bij elke druk.
2. Modusselektor: De lichtvolgorde is: Geheel licht / Vast lichtdeel / Opvouwbaar lichtdeel bij elke druk wanneer de schakelaar is ingeschakeld.

### NB:

Wanneer u het apparaat inschakelt, wordt het ingeschakeld in dezelfde lichtmodus als de laatste keer dat u het hebt gebruikt.

## Lage batterij-indicator (Fig. 5):

Wanneer de batterij bijna leeg is, gaan de LED-lampjes uit, behalve één LED-lampje zoals geïllustreerd. Ongeveer vijf tot tien minuten later schakelt het apparaat automatisch uit.

## BEDIENING

### ⚠ LET OP:

Draai de LED-lichtbalk en klap het opvouwbare lichtdeel naar beneden om het evenwicht van het apparaat te stabiliseren wanneer u het apparaat recht op plaatst zoals afgebeeld in fig. 4. Anders kan het apparaat omvallen en persoonlijk letsel veroorzaken.

## LED-lichtbalkhoek (Fig. 6, Fig. 7):

### ⚠ LET OP:

Let erop dat u niet uw vinger(s) klemt, wanneer u de hoek van de lamp afstelt.

### ⚠ LET OP:

Zorg ervoor dat het vaste lichtdeel en het opvouwbare lichtdeel stevig vergrendeld zijn in respectievelijk ingeklapte en uitgeklapte posities.

De LED-lichtbalk kan in zeven stappen worden gedraaid, elke 45°. (90° naar rechts en 180° naar links) Het opvouwbare lichtdeel kan gebogen worden tot 0° of 180°.

## Metalen Haak (Fig. 8)

Til en schuif de metalen haak naar het centrum wanneer u de metalen haak gebruikt.

## Riem (Fig. 9)

### ⚠ LET OP:

Gebruik de ring en de riemopening niet voor andere doeleinden dan het installeren van de riem. Anders kan persoonlijk letsel gebeuren.

Installeer de riem op het apparaat zoals geïllustreerd.

## Dragerclips installeren in uitschuifbare haak (Fig. 10, Fig. 11)

### ⚠ LET OP:

Pas op dat u uw vinger(s) niet knelt bij het installeren van de dragerclips in de uitschuifbare haak.

Installeer de dragerclips in de uitschuifbare haak zoals geïllustreerd.

### NB:

Zorg ervoor dat elke dragerclip naar het dragerclip-positioneringsgat op de hoofdbalk is geschoven.

### NB:

Zorg ervoor dat de twee dragerclips in dezelfde richting zijn geïnstalleerd.

## Apparaat installeren op uitschuifbare haak (Fig. 12):

Installeer het apparaat op de uitschuifbare haak met behulp van de dragerclips zoals geïllustreerd.

### NB:

Zorg ervoor dat elke dragerclip de vastgeklemd positie van het apparaat vasthoudt.

## Uitschuifbare haak monteren (Fig. 13):

### ⚠ LET OP:

Hang niets anders dan het apparaat aan de uitschuifbare haak. Anders kunnen de houderhaken beschadigd raken en kan er persoonlijk letsel optreden.

### ⚠ LET OP:

Zorg ervoor dat elk onderdeel stevig is bevestigd voordat u het gebruikt.

### ⚠ LET OP:

Bedien door de hoofdbalk en de houderhaken vast te houden bij het monteren van de uitschuifbare haak. Pas op dat u uw handen en vingers niet knijpt, omdat de binnenste balk door de veerkrachtige kracht naar zijn oorspronkelijke positie wordt teruggebracht.

Houd één houderhaak vast om deze op de gewenste locatie te monteren.

Houd een andere houderhaak vast terwijl u de uitschuifbare haak uitrekt om deze op de gewenste locatie (aan de andere kant) te monteren.

Schakel het apparaat in en stel de verlichtingshoek van het apparaat in om de gewenste locatie te verlichten zoals geïllustreerd.

### KENNISGEVING:

Als u de zware batterij gebruikt, draai dan alleen de LED-lichtbalk voor aanpassing van de verlichtingshoek.

## ONDERHOUD

### ⚠ LET OP:

Denk er vooral aan dat u eerst het apparaat moet uitschakelen en de batterijpatroon moet verwijderen voordat u een inspectie of onderhoud uitvoert.

### KENNISGEVING:

Gebruik nooit dieselolie, wasbenzine, verfverdunder of alcohol of iets dergelijks. Dat zou kunnen leiden tot verkleuring, vervorming of het ontstaan van scheuren.

Om te waarborgen dat de VEILIGHEID en BETROUWBAARHEID van het gereedschap behouden blijven moeten reparaties, eventuele andere onderhouds- of aanpassingswerkzaamheden worden uitgevoerd door Makita Authorized Service Centers of servicecentra van de fabriek, waarbij altijd vervangende onderdelen van Makita worden gebruikt.

## Reiniging

### ⚠ LET OP:

Was het apparaat nooit schoon in water. Veeg zo nu en dan de buitenkant van het apparaat (apparaatlichaam) af met een doek bevochtigd met zeepwater.

## OPTIONELE ACCESSOIRES

### ⚠ LET OP:

Deze accessoires of hulpstukken worden aanbevolen voor gebruik op uw Makita-apparaat dat in deze handleiding wordt aangeduid. Het gebruik van andere accessoires of hulpstukken kan een risico van letsel voor personen geven. Gebruik het accessoire of hulpstuk uitsluitend voor het aangegeven doel.

Als u hulp nodig heeft en meer gegevens over deze accessoires, vraag dan advies aan uw Makita-servicecentrum ter plaatse.

- Oorspronkelijk Makita-batterij en -lader

### NB:

Sommige items in de lijst kunnen zijn inbegrepen in de standaardaccessoires van het apparaat. Welke items dat zijn, kan van land tot land verschillen.

## ESPAÑOL (Instrucciones originales)

1	Gancho telescópico	2	Barra de lámpara LED	3	Botón	4	Cartucho de batería	5	Indicador rojo	6	Luces del indicador	7	Botón de verificación	8	Parte de lámpara fijada (LED-24 pzs)
9	Parte de lámpara plegable (LED-18 pzs)	10	Interruptor	11	Selector de modo	12	Indicador de bajo nivel de energía de batería	13	Parte móvil	14	Gancho de metal	15	Correa	16	Anillo
17	Orificio para la correa	18	Agujero de posicionamiento de abrazadera de soporte	19	Barra principal	20	Barra interna	21	Abrazadera portadora	22	Gancho de soporte	23	Posición de agarre		

## ESPECIFICACIONES

Modelo:		DML818
Lámpara	Flujo de luz (H/M/L)	1.700 lm /800 lm /400 lm
	Dimensiones (L × A × AL) (sin cartucho de batería)	975 mm × 80 mm × 101 mm
	Tensión nominal	C.C. 14,4 V / 18 V
	Peso neto (sin cartucho de batería)	1,1 kg
Gancho telescópico	Dimensiones (L × A × AL) (con abrazaderas)	1.181 mm × 99 mm × 259 mm
	Peso neto (con abrazaderas)	1,5 kg
	Ancho disponible *	1.130 mm - 1.900 mm

- Las especificaciones pueden variar de un país a otro.
- Debido a nuestro continuo programa de investigación y desarrollo, las especificaciones indicadas aquí están sujetas a cambio sin previo aviso.
- \* El ancho disponible actual puede variar según la ubicación y la forma.

## Cartucho y cargador de batería aplicables

Cartucho de batería	14,4 V	BL1415N / BL1430B / BL1440 / BL1460B
	18 V	BL1815N / BL1820B / BL1830B / BL1840B / BL1850B / BL1860B
Cargador	DC18RC / DC18RD / DC18RE / DC18SD / DC18SE / DC18SF / DC18SH / DC18WC	

- Puede que algunos de los cartuchos de batería mencionados no se encuentren disponibles dependiendo de su ubicación.

**⚠ ADVERTENCIA:** Utilice únicamente los cartuchos de batería mencionados previamente. El uso de otros cartuchos de batería puede causar lesiones y/o incendios.

## Tiempo de funcionamiento

Cartucho de batería aplicable	Tiempo de funcionamiento (aproximado)		
	Lámpara completa (LED-42 pzs)		
	Alto	Medio	Bajo
BL1415N	1,0 horas	2,2 horas	4,0 horas
BL1430B	1,6 horas	3,5 horas	7,0 horas
BL1440	2,6 horas	5,5 horas	11 horas
BL1460B	3,3 horas	7,0 horas	15 horas
BL1815N	1,3 horas	2,8 horas	5,5 horas
BL1820B	1,7 horas	3,5 horas	7,5 horas
BL1830B	2,4 horas	5,0 horas	10 horas
BL1840B	3,0 horas	7,0 horas	15 horas
BL1850B	4,0 horas	9,5 horas	19 horas
BL1860B	5,0 horas	11 horas	23 horas

- Los tiempos de funcionamiento mencionados en la tabla anterior son una guía aproximada. Pueden variar de los tiempos de funcionamiento reales.
- El cartucho de batería puede variar de un país a otro.
- Los tiempos de funcionamiento pueden variar dependiendo del tipo de batería, el estado de la carga y las condiciones de uso.

## Símbolos

A continuación se muestran los símbolos que pueden ser usados para el equipo. Asegúrese de comprender su significado antes del uso.



- Lea el manual de instrucciones.



- Solo para países de la Unión Europea, debido a la presencia de componentes peligrosos en este equipo, desecho eléctrico y equipo electrónico, acumuladores y baterías pueden tener un impacto negativo en el ambiente y la salud humana. ¡No deseches el desecho eléctrico y los aparatos electrónicos o baterías con los desechos del hogar! De acuerdo con la Directiva Europea sobre desechos eléctricos y equipo electrónico y sobre acumuladores y baterías y desechos de acumuladores y baterías, como también de acuerdo con su adaptación a la ley nacional, los desechos de equipo electrónico, baterías y acumuladores deben ser almacenados separadamente y entregados a un punto de recolección separado por desecho municipal, operando de acuerdo con las regulaciones de protección ambiental. Esto está indicado por el símbolo del contenedor con ruedas tachado colocado en el equipo.



- Radiación óptica (UV e IR). Reduzca la exposición a los ojos o la piel.



- No mire fijamente la lámpara mientras esté funcionando.



- Utilice las protecciones para ojos apropiadas.



- ¡Tenga especial cuidado y atención!



- Solo para uso interior

## INSTRUCCIONES DE SEGURIDAD IMPORTANTES

### ⚠ ADVERTENCIA:

Para reducir el riesgo de lesiones, no mire fijamente los dispositivos en funcionamiento. Puede causar lesiones oculares graves.

### ⚠ PRECAUCIÓN:

Siempre que se utilicen dispositivos eléctricos se deben seguir precauciones de seguridad para reducir el riesgo de incendio, descarga eléctrica y lesiones, incluyendo las siguientes:

## LEA TODAS LAS INSTRUCCIONES.

1. Para reducir el riesgo de lesiones, es necesario supervisar estrechamente al usar el dispositivo cerca de los niños.
2. Para reducir el riesgo de descarga eléctrica, no introduzca el dispositivo en agua u otro líquido. No coloque ni almacene el dispositivo en un lugar donde pueda caer o ser arrastrado a la bañera o fregadero.
3. No cubra el dispositivo con tela o cartón, etc. De lo contrario, puede causar llamas.
4. No toque el interior del dispositivo con pinzas, herramientas de metal, etc.
5. No exponga el dispositivo a la lluvia o la nieve. No lo lave con agua.
6. No toque el interior del dispositivo con pinzas, herramientas de metal, etc.
7. No toque partes calientes.
8. Apague y extraiga el cartucho de batería siempre que no esté utilizando el dispositivo.
9. No maltrate el dispositivo dejándolo caer, golpeándolo, etc.
10. Solo utilice accesorios recomendados o vendidos por el fabricante.
11. Almacenar el producto en el interior cuando no se utiliza. Fuera del alcance de los niños.
12. Información de seguridad para linternas portátiles con baterías.
  - Al desechar la batería, se debe cumplir con las regulaciones locales que abordan la eliminación de materiales peligrosos.
  - No incinere la batería.
13. Información adicional para linternas.
  - La fuente de luz de esta linterna no es reemplazable; cuando la fuente de luz alcance el final de su vida la linterna completa deberá ser reemplazada.
14. Uso y cuidado de la batería.
  - **ADVERTENCIA:** Lea todas las advertencias de seguridad y las instrucciones. El incumplimiento de las advertencias e instrucciones puede provocar descargas eléctricas, incendio y/o lesiones graves.
  - Evite el encendido accidental. Asegúrese que el interruptor esté en la posición de apagado antes de conectar el dispositivo a la batería, tomarla o transportarla. Transportar el dispositivo con los dedos sobre el interruptor o suministrar corriente a un dispositivo encendido puede ocasionar accidentes.
  - Desconecte la batería antes de realizar cualquier ajuste, cambio de accesorios o guardar el dispositivo. Estas medidas preventivas de seguridad reducen el riesgo de encendido accidental del dispositivo.
  - Recargue únicamente con el cargador especificado por el fabricante. Un cargador apropiado para cierto tipo de paquete de batería puede ocasionar riesgo de incendio si se utiliza con otro paquete de batería.
  - Utilice los dispositivos únicamente con los cartuchos de batería diseñados específicamente para éstos. El uso de otros paquetes de batería puede resultar en lesiones o incendios.
  - Cuando no esté en uso, mantenga la batería alejada de objetos metálicos como clips, monedas, llaves, clavos, tornillos o cualquier otro objeto metálico pequeño que pudiese crear una conexión entre las terminales. Causar un cortocircuito en las terminales de la batería puede ocasionar quemaduras o incendios.
  - Bajo condiciones de maltrato, la batería puede expulsar líquido; evite el contacto. En caso de contacto accidental, enjuague con agua. Si el líquido toma contacto con los ojos busque atención médica. El líquido expulsado de la batería puede causar irritación o quemaduras.
  - No utilice paquetes de baterías o dispositivos dañados o modificados. Las baterías dañadas o modificadas pueden funcionar de manera impredecible, ocasionando incendios, explosiones o riesgo de lesiones.
  - No exponga la batería al fuego o temperaturas excesivas. La exposición al fuego o temperaturas superiores a 130 °C (265 °F) pueden causar una explosión.
  - Siga las instrucciones de carga y evite cargar la batería o el dispositivo fuera del rango de temperatura especificado en las instrucciones. La carga incorrecta o bajo temperaturas más allá del rango especificado puede dañar la batería e incrementar el riesgo de incendios.

- Las reparaciones deben llevarlas a cabo personas cualificadas y utilizando únicamente piezas de recambio idénticas. Esto asegurará que se mantenga la seguridad del producto.
- No intente modificar o reparar el dispositivo o el paquete de batería salvo como se indica en las instrucciones de uso y mantenimiento.

#### 15. Instrucciones importantes de seguridad para el cartucho de batería.

- Antes de utilizar la batería asegúrese de leer todas las instrucciones y símbolos de precaución en (1) el cargador de baterías, (2) la batería y (3) el producto que utiliza la batería.
- No desarme ni manipule el cartucho de batería. Puede ocasionar incendios, sobrecalentamiento o explosiones.
- Si el tiempo de funcionamiento se ha reducido excesivamente, detenga la operación de inmediato. Puede haber riesgo de sobrecalentamiento, quemaduras e incluso explosión.
- Si llega a entrar electrolito en sus ojos, enjuáguelos con agua limpia y solicite asistencia médica de inmediato. Puede ocasionar pérdida de la vista.
- No cause un cortocircuito en el cartucho de batería.
- No guarde ni use la herramienta y el cartucho de batería en lugares donde la temperatura pueda alcanzar o exceder 50 °C (122 °F).
- No incinere el cartucho de batería incluso si ha sido seriamente dañado o si se ha agotado completamente. El cartucho de batería puede explotar si se expone al fuego.
- No clave, corte, destruya, arroje, deje caer el cartucho de batería ni golpee el cartucho de batería contra un objeto duro. Tales acciones pueden ocasionar incendios, sobrecalentamiento, explosiones.
- No utilice baterías dañadas.
- Las baterías de ion de litio provistas están sujetas a los requerimientos de la Legislación de Mercancías Peligrosas. Para transporte comercial, por ej., mediante terceros o agentes de transporte, se deben tomar en cuenta los requisitos especiales relativos al embalaje y etiquetado. Para preparar un artículo a distribuir, se requiere la asistencia de expertos en materiales peligrosos. Si es posible, tenga en cuenta otras regulaciones nacionales más detalladas. Encinte o aísle los contactos expuestos y empaque la batería de tal manera que no pueda moverse dentro del embalaje.
- Utilice las baterías únicamente con los productos especificados por Makita. Instalar baterías en productos que no cumplen con las regulaciones puede ocasionar incendios, sobrecalentamiento, explosiones o fugas de electrolito.
- Retire la batería si la herramienta no se utiliza por un largo período de tiempo.
- El cartucho de batería podría calentarse durante y después de su uso, pudiendo causar quemaduras de alta o baja temperatura. Preste atención al manejo de los cartuchos de batería calientes.
- No toque la terminal de la herramienta inmediatamente después de su uso, ya que puede calentarse lo suficiente como para causar quemaduras.
- No permita que las astillas, el polvo o la suciedad se adhieran a las terminales, los agujeros y las ranuras del cartucho de batería. Esto podría provocar un bajo rendimiento o avería de la herramienta o el cartucho de batería.
- No utilice el cartucho de batería cerca de líneas de alta tensión, a menos que la herramienta sea compatible con este tipo de uso específico. Esto podría provocar una falla o avería de la herramienta o el cartucho de batería.
- Mantenga la batería fuera del alcance de los niños.

## GUARDE ESTAS INSTRUCCIONES

**⚠ PRECAUCIÓN:** Solo use baterías genuinas Makita. El uso de baterías Makita no genuinas o baterías que han sido modificadas puede resultar en explosiones de la batería o incendios, lesiones personales y daños. Esto también anulará la garantía Makita de su herramienta y cargador Makita.

16. Consejos para maximizar la vida útil de la batería.
- Cargue el cartucho de batería antes de que se descargue por completo. Siempre que vea que la fuerza de la herramienta es menor, detenga su funcionamiento y cargue el cartucho de batería.
  - Nunca recargue un cartucho de batería que tiene carga máxima. La sobrecarga de la batería disminuye su vida útil.
  - Cargue el cartucho de batería a una temperatura ambiente de 10 °C–40 °C (50 °F–104 °F). Deje que el cartucho se enfríe antes de cargarlo.
  - Cuando no use el cartucho de batería, retírelo de la herramienta o del cargador.
  - Cargue el cartucho de batería si no lo ha utilizado por un largo período de tiempo (más de seis meses).

## DESCRIPCIÓN DEL FUNCIONAMIENTO

**⚠ PRECAUCIÓN:** Siempre asegúrese que el dispositivo esté apagado y que el cartucho de batería haya sido extraído antes de ajustar o probar el funcionamiento del dispositivo.

## Instalar o quitar el cartucho de batería (Fig. 2)

**⚠ PRECAUCIÓN:** Asegúrese de apagar el dispositivo antes de instalar o quitar el cartuchode batería.

**⚠ PRECAUCIÓN:** **Sostenga el dispositivo y el cartucho de batería firmemente al instalar o extraer el cartucho.** Si no se sostienen firmemente el dispositivo y el cartucho de batería, éstos se pueden resbalar de las manos provocando daños al dispositivo y al cartucho de batería, así como lesiones personales.

Para instalar el cartucho de batería, alinee el cartucho de batería de machimbre con el machimbre en el armazón y deslícelo hasta que quede en su lugar. Insértela hasta el fondo hasta que se escuche un clic y quede asegurada en su lugar. Si puede observar el indicador rojo como se muestra en la figura, no está cerrado completamente. Para retirar el cartucho de batería, deslícelo del dispositivo mientras corre el botón en la parte delantera del cartucho.

### **⚠ PRECAUCIÓN:**

Cuando instale el cartucho de batería siempre asegúrese que el indicador rojo no quede a la vista. De lo contrario, éste puede caerse del dispositivo por accidente, ocasionándole una lesión a usted o a otras personas a su alrededor.

### **⚠ PRECAUCIÓN:**

No instale el cartucho de batería a la fuerza. Si el cartucho no se desliza fácilmente es porque no ha sido insertado correctamente.

## **Indicación de la carga restante (Fig. 3)**

Presione el botón de verificación de la batería para determinar la carga restante. Las luces del indicador se iluminan por unos segundos.

Luces del indicador			Carga restante
Iluminado	Apagado	Parpadeando	
■ ■ ■ ■			75% a 100%
■ ■ ■ □			50% a 75%
■ ■ □ □			25% a 50%
■ □ □ □			0% a 25%
▣ □ □ □			Cargue la batería.
■ ■ □ □			La batería puede estar funcionando mal.
□ □ ■ ■			

### **NOTA:**

Dependiendo de las condiciones de uso y de la temperatura del ambiente, las indicaciones pueden variar un poco en relación al nivel de carga real de la batería.

### **NOTA:**

La primera luz indicadora (a la izquierda) parpadeará cuando el sistema de protección de la batería está en funcionamiento.

## **Sistema de protección de la aparato / batería**

El aparato está equipada con un sistema de protección, el cual corta la potencia de salida automáticamente para una larga vida útil.

### **Protección contra descarga excesiva**

Cuando la capacidad de la batería no es suficiente, el dispositivo se detiene automáticamente. En estos casos debe remover la batería del dispositivo y cargarla.

### **Protección contra otras causas**

El sistema de protección también ha sido diseñado para otras causas que pudieran dañar el aparato y permite que el aparato se detenga automáticamente. Siga todos los pasos siguientes para resolver la posible causa, cuando el aparato ha sido detenido temporalmente o suspendido su funcionamiento.

1. Apague el aparato, después enciéndalo nuevamente o reinicie.
2. Cargue la batería(s) o replácela/s con batería(s) cargadas.
3. Permita que el aparato y la batería(s) se enfríen.

Si no hay mejora mediante la restauración del sistema de protección, entonces puede contactar su Centro de Servicio Makita local.

## **Encendido de la linterna y selección de luminosidad (Fig. 4)**

### **⚠ PRECAUCIÓN:**

No mire fijamente la luz o la fuente de luz.

1. Interruptor: La secuencia de luminosidad es la siguiente: Modo alto (encendido) / Modo medio / Modo bajo / Apagado para cada presionado.
2. Selector de modo: La secuencia de encendido es: Lámpara completa / Parte de lámpara fija / Parte de lámpara plegable cada vez que se presiona con el interruptor encendido.

### **NOTA:**

Cuando usted encienda el dispositivo, se enciende en el mismo modo de iluminación que la última vez que lo usa.

## **Indicador de bajo nivel de energía de batería (Fig.5)**

Cuando el nivel de energía de la batería es bajo, se apaga la lámpara LED, como se muestra en la figura, excepto una lámpara LED. El dispositivo se apaga automáticamente después de unos cinco o diez minutos.

## **USO**

### **⚠ PRECAUCIÓN:**

Como se muestra en fig. 4, cuando coloque el dispositivo en posición vertical, gire la barra de lámpara LED y doble la parte de lámpara plegable hacia abajo para estabilizar el dispositivo. De lo contrario, el dispositivo puede caer y causar lesiones personales.

## **Ángulo de barra de lámpara LED (Fig. 6, Fig. 7)**

### **⚠ PRECAUCIÓN:**

Tenga la precaución de que sus dedos no queden atrapados cuando se disponga a ajustar el ángulo de la linterna.

### **⚠ PRECAUCIÓN:**

Asegúrese de que las partes de las lámparas fijas y plegables estén bloqueados juntos con firmeza en las posiciones dobladas y desplegadas, respectivamente.

La barra de lámpara LED se pueden girar en siete etapas cada 45°. (90 ° a la derecha y 180 ° a la izquierda)  
La parte de la lámpara plegables puede doblarse hasta 0° o 180°.

## **Gancho metálico (Fig. 8)**

Levante el gancho metálico y lo deslice hacia la posición central al usar el gancho metálico.



## Banda (Fig. 9)

### PRECAUCIÓN:

No use anillos ni agujeros de banda para ningún otro propósito que no sea para la instalación de la banda. De lo contrario lesiones personales pueden ocurrir.

Instale la banda en el dispositivo como se muestra en la figura.

## Instale las abrazaderas de soporte en el gancho telescópico (Fig. 10, Fig. 11)

### PRECAUCIÓN:

Tenga cuidado de no agarrar los dedos al instalar la abrazadera del soporte en el gancho telescópico.

Instale las abrazaderas de soporte en el gancho telescópico como se muestra en la figura.

### NOTA:

Asegúrese de que cada abrazadera de soporte se deslice en el agujero de posicionamiento de la abrazadera de soporte en la barra principal.

### NOTA:

Asegúrese de que las dos abrazaderas de soporte estén instaladas en la misma dirección.

## Instalación de dispositivo en el gancho telescópico (Fig. 12)

Instale el dispositivo en el gancho telescópico con una abrazadera de soporte como se muestra en la figura.

### NOTA:

Asegúrese de que cada abrazadera de soporte mantenga la posición de agarre del dispositivo.

## Instalación de gancho telescópico (Fig. 13)

### PRECAUCIÓN:

No cuelgue nada más que un dispositivo en un gancho telescópico. De lo contrario, se dañará el gancho del soporte y puede causar lesiones personales.

### PRECAUCIÓN:

Asegúrese de que cada parte esté fijada con firmeza antes del uso.

### PRECAUCIÓN:

Sostenga la barra principal y el gancho del soporte al instalar el gancho telescópico. Tenga cuidado de no pellizcar las manos ni los dedos, ya que la barra interior volverá a su posición original bajo la acción de los resortes.

Sostenga un gancho de soporte y lo instale en la posición que desea.

Sostenga el otro gancho de soporte mientras sobresale el gancho telescópico para instalarlo en la posición deseada (otro lado).

Encienda el dispositivo y ajuste el ángulo de iluminación del dispositivo para iluminar la posición deseada, como se muestra en la figura.

### ATENCIÓN:

Cuando usted utilice una batería pesada, solo gire la barra LED para ajustar el ángulo de iluminación.

## MANTENIMIENTO

### PRECAUCIÓN:

Siempre asegúrese de que el dispositivo esté apagado y que se ha quitado el cartucho de batería antes de intentar realizar una inspección o mantenimiento.

### ATENCIÓN:

Nunca utilice gasolina, bencina, solvente, alcohol o similares. Esto puede ocasionar decoloración, deformación o grietas.

Para mantener la SEGURIDAD y la FIABILIDAD del producto, las reparaciones y cualquier otro ajuste los deben realizar los Centros de Servicio de Fábrica o los Centros Autorizados Makita, siempre usando piezas de recambio Makita.

## Limpieza

### PRECAUCIÓN:

Nunca sumerja el dispositivo en agua para lavarlo. De vez en cuando, limpie el exterior del dispositivo (cuerpo del dispositivo) con un paño sumergido en agua jabonosa.

## ACCESORIOS OPCIONALES

### PRECAUCIÓN:

Estos accesorios o anexos están recomendados para usarse con su dispositivo Makita especificado en este manual. El uso de cualquier otro accesorio o anexo podría provocar riesgo de lesiones personales. Utilice únicamente accesorios o anexos diseñados para su propósito indicado.

Si necesita asistencia para conocer más detalles respecto a estos accesorios, consulte a su centro de servicio autorizado local de Makita.

- Batería y cargador genuinos de Makita

### NOTA:

Algunos ítems de la lista pueden incluirse en el paquete de dispositivo como accesorios estándar. Pueden variar de un país a otro.

## PORTUGUÊS (Instruções Originais)

1	Gancho telescópico	2	Barra de lanterna LED	3	Botão	4	Cartucho de bateria	5	Indicador Vermelho	6	Luzes de indicação	7	Botão de checagem	8	Parte de lanterna fixa (LED-24 peças)
9	Parte de lanterna dobrável (LED-18 peças)	10	Interruptor	11	Seletor de modo	12	Indicador de bateria fraca	13	Parte móvel	14	Gancho de Metal	15	Strap	16	Ring
17	Orifício para corda	18	Orifício de posicionamento do clipe de suporte	19	Barra principal	20	Barra interna	21	Clipe de suporte	22	Gancho de suporte	23	Posição de clipe		

## ESPECIFICAÇÕES

Modelo		DML818
lanterna	Fluxo luminoso (H/M/L)	1.700 lm/800 lm/400 lm
	Dimensões (C x L x A) (sem bateria)	975 mm x 80 mm x 101 mm
	Tensão nominal	D.C. 14,4 V / 18 V
	Peso líquido (sem bateria)	1,1 kg
Gancho telescópico	Dimensões (C x L x A) (com cliques)	1.181 mm x 99 mm x 259 mm
	Peso líquido (com cliques)	1,5 kg
	Largura disponível *	1.130 mm - 1.900 mm

- As especificações podem variar de país para país.
- Devido a um contínuo programa de pesquisa e desenvolvimento, as especificações que constam neste manual estão sujeitas a alterações sem aviso prévio.
- \* A largura real disponível pode variar em função de localização e do formato.

## Bateria e carregador indicados

Cartucho de bateria	14,4 V	BL1415N / BL1430B / BL1440 / BL1460B
	18 V	BL1815N / BL1820B / BL1830B / BL1840B / BL1850B / BL1860B
Carregador	DC18RC / DC18RD / DC18RE / DC18SD / DC18SE / DC18SF / DC18SH / DC18WC	

- Algumas baterias listadas acima podem não estar disponíveis dependendo da sua região.

**⚠ AVISO: Use apenas as baterias listadas acima.** O uso de outras baterias pode provocar o risco de ferimentos e/ou incêndio.

## Tempo operacional

Bateria padrão	Tempo de operação (aproximado)		
	Toda a lanterna (LED-42 peças)		
	Máximo	Médio	Mínimo
BL1415N	1,0 horas	2,2 horas	4,0 horas
BL1430B	1,6 horas	3,5 horas	7,0 horas
BL1440	2,6 horas	5,5 horas	11 horas
BL1460B	3,3 horas	7,0 horas	15 horas
BL1815N	1,3 horas	2,8 horas	5,5 horas
BL1820B	1,7 horas	3,5 horas	7,5 horas
BL1830B	2,4 horas	5,0 horas	10 horas
BL1840B	3,0 horas	7,0 horas	15 horas
BL1850B	4,0 horas	9,5 horas	19 horas
BL1860B	5,0 horas	11 horas	23 horas

- Os tempos de operação na tabela acima são uma orientação aproximada. Eles podem diferir dos tempos de operação reais.
- A bateria pode variar de país para país.
- Os tempos de operação podem diferir dependendo do tipo de bateria, nível da carga e condição de uso.

## Símbolos

Os seguintes estão os símbolos que podem ser usados para o equipamento. Certifique-se de que pode entender o significado dos símbolos antes de usar.



- Leia o manual de instruções.



- Aplicável apenas a países de União Europeia. Devido à existência de componentes perigosos no equipamento, tais como resíduos de equipamento eléctrico e electrónico, os acumuladores e as baterias podem ter um impacto negativo no meio ambiente e na saúde humana. Não são permitidos descartar aparelhos eléctricos e electrónicos ou baterias no lixo doméstico! Conforme a Diretiva Europeia referente a resíduos de equipamentos eléctricos e electrónicos e acumuladores e baterias e resíduos de acumuladores e baterias, bem como sua adaptação à legislação nacional, os resíduos de equipamento eléctrico, baterias e acumuladores devem ser armazenados separadamente e entregues num ponto separado de coleta para resíduos municipais, suas operações devem estar de acordo com as regulamentações de protecção ambiental. Isto é indicado pelo símbolo do contentor de lixo barrado com uma cruz colocado no equipamento.



- Radiação Óptica (raios ultravioleta e infravermelhos). Evite exposição aos olhos ou à pele.



- Não olhe directamente para a lâmpada acesa.



- Use protecção apropriada ou protecção ocular.



- Tenha muito cuidado e atenção!



- Apenas para uso interno

## INSTRUÇÕES DE SEGURANÇA IMPORTANTES

### AVISO:

Para reduzir o risco de ferimentos, não olhe por longo tempo os aparelhos em operação. Podem ocorrer lesões de olhos graves.

### CUIDADO:

Ao usar ferramentas, precauções básicas de segurança devem sempre ser seguidas para reduzir o risco de incêndio, choque eléctrico e ferimentos pessoais, inclusive as instruções a seguir:

## LEIA TODAS AS INSTRUÇÕES.

1. Para reduzir o risco de ferimentos, é necessária supervisão cuidadosa ao usar o aparelho perto de crianças.
2. Para reduzir o risco de choque eléctrico, não coloque o aparelho em água ou outro líquido. Não coloque ou guarde o aparelho onde ele possa cair ou ser puxado para uma banheira ou pia.
3. Não cubra o aparelho com pano ou papelão, etc. Caso contrário, poderá causar chamas.
4. Não toque na parte interna do dispositivo com pinças, ferramentas de metal, etc.
5. Não exponha a ferramenta à chuva ou neve. Não a lave em água.
6. Não toque na parte interna do dispositivo com pinças, ferramentas de metal, etc.
7. Não entre em contato com componentes quentes.
8. Quando a lanterna não estiver em uso, deve sempre desligá-la e remover a bateria.
9. Não deixe o dispositivo cair nem o exponha a pancadas, etc.
10. Use apenas acessórios recomendados ou vendidos pelo fabricante.
11. Guarde o produto dentro de casa quando não estiver em uso. Mantenha fora do alcance de crianças.
12. Informações de segurança para lanternas portáteis com baterias.
  - A eliminação de baterias deve ser feita em conformidade com os regulamentos locais que visam a eliminação de resíduos perigosos.
  - Não tente queimar a bateria.
13. Informação suplementar para lanternas.
  - A fonte de luz desta luminária não é substituível; quando a fonte de luz chegar ao fim da vida útil, toda a luminária deve ser substituída.
14. Uso e cuidados com a bateria.
  - AVISO: Leia todos os avisos e as instruções de segurança. A inobservância dos avisos e das instruções pode resultar em choque eléctrico, incêndio e/ou lesões graves.
  - Evite arranque não intencional. Certifique-se de que o interruptor esteja na posição de desligar antes de conectar a bateria, pegar ou transportar a ferramenta. Transportar a ferramenta com o dedo no interruptor ou conectar a ferramenta quando a mesma estiver com o interruptor ligado pode provocar acidentes.
  - Desligue o plugue da fonte de alimentação antes de proceder a quaisquer ajustes, trocar acessórios ou arrumar uma ferramenta eléctrica. Estas medidas de segurança preventivas reduzem o risco de um arranque accidental da ferramenta eléctrica.
  - Recarregue a ferramenta somente com o carregador especificado pelo fabricante. Um carregador designado para um tipo de bateria pode provocar risco de incêndio quando usado para recarregar outro tipo de bateria.
  - Use ferramentas somente com as baterias especificamente designadas. O uso de outras baterias pode provocar o risco de ferimentos e/ou incêndio.
  - Quando a bateria não estiver em uso, mantenha-a longe de outros objetos metálicos, tais como cliques de papel, chaves, pregos, parafusos ou outros objetos metálicos pequenos, que podem provocar a conexão de um terminal ao outro. Provocar o curto-circuito nos terminais da bateria pode causar queimaduras ou incêndio.
  - Sob condições incorretas de uso, o fluido pode vazar da bateria; evite contato com o mesmo. Se ocorrer o contato accidental, lave com bastante água. Se o fluido entrar em contato com os olhos, procure também ajuda médica. O fluido ejetado da bateria pode causar irritação ou queimaduras.
  - Não use uma bateria ou ferramenta que esteja danificada ou modificada. Baterias danificadas ou modificadas podem apresentar comportamento imprevisível que pode causar incêndio, explosão ou risco de ferimentos.
  - Não exponha a bateria ou a ferramenta ao fogo ou temperatura excessiva. Exposição ao fogo ou à temperatura acima de 130 °C (265 °F) pode causar explosão.

- Siga todas as instruções de carregamento e não carregue a bateria ou ferramenta fora da amplitude térmica especificada nas instruções. Carregar de forma imprópria ou a uma temperatura fora da amplitude térmica especificada pode danificar a bateria e aumentar o risco de incêndio.
  - Proceda à reparação da ferramenta elétrica por um técnico qualificado e utilize apenas peças sobresselentes idênticas. Assim, garante que a segurança da ferramenta elétrica é mantida.
  - Não modifique ou tente reparar a ferramenta ou a bateria exceto como indicado nas instruções de uso e cuidado.
15. Instruções importantes de segurança sobre a bateria.
- Antes de usar a bateria, leia todas as instruções e símbolos de aviso no (1) carregador de bateria, (2) bateria, e (3) produto usando a bateria.
  - Não tente desmontar ou modificar o cartucho de bateria. Isso pode resultar em sobreaquecimento, incêndio ou mesmo explosão.
  - Se o tempo de operação tornar-se extremamente curto, pare o funcionamento imediatamente. Isso pode resultar num risco de sobreaquecimento, possíveis queimaduras ou mesmo uma explosão.
  - Se entrar eletrólito nos olhos, lave com água limpa e procure ajuda médica imediatamente. Isso pode causar perda de visão.
  - Não provoque um curto-circuito na bateria.
  - Não armazene a lanterna e a bateria em locais onde a temperatura possa atingir ou exceder os 50 °C (122 °F).
  - Não incinere a bateria mesmo se ela estiver severamente danificada ou completamente gasta. Ela pode explodir no fogo.
  - Nunca tente furar, cortar, esmagar, atirar ou deixar cair a bateria nem bater na bateria com um objeto duro. Tal conduta pode resultar em sobreaquecimento, incêndio ou mesmo explosão.
  - Não use uma bateria danificada.
  - As baterias que contém íon de lítio estão sujeitas aos requisitos da Legislação de Mercadorias Perigosas. Para usos comerciais por terceiros ou agentes de frete, por exemplo, requisitos especiais relativos à embalagem e rotulagem devem ser observados. A preparação do item para envio deve ser consultada por um perito em materiais perigosos. Favor consultar os regulamentos da sua região para mais detalhes. Passe fita ou cubra os contatos da bateria e embale-a de forma que não se mova durante o transporte.
  - Use as baterias apenas para os produtos especificados pela Makita. A instalação das baterias em produtos não compatíveis pode causar incêndio, aquecimento excessivo, explosão ou vazamento do eletrólito.
  - Se a ferramenta não for utilizada durante um longo período de tempo, a bateria deve ser removida da mesma.
  - Durante a carga e a utilização, a bateria pode aquecer, pelo que existe o risco de queimaduras. Os devidos cuidados devem ser observados durante o manuseio de baterias quentes.
  - Não toque nos terminais da lanterna imediatamente após o uso, pois pode aquecer o suficiente para causar queimaduras.
  - Não permita a entrada de aparas, pó ou terra nos terminais, orifícios e ranhuras da bateria. Isso pode levar a um desempenho reduzido ou mesmo à avaria da lanterna ou da bateria.
  - A menos que a lanterna suporte a utilização nas imediações de linhas elétricas de alta tensão, não utilize a bateria nas proximidades de linhas elétricas de alta tensão. Isso pode levar a um mau funcionamento ou mesmo à avaria da lanterna ou da bateria.
  - Mantenha a bateria fora do alcance das crianças.

## GUARDE ESTAS INSTRUÇÕES.

**⚠ CUIDADO:** Use apenas baterias Makita originais. O uso de baterias não originais, ou baterias que foram modificadas, pode resultar na explosão da bateria causando incêndio, ferimentos e danos pessoais. Isso também anulará a garantia da Makita para a ferramenta e o carregador.

16. Sugestões para a máxima vida útil da bateria.

- Carregue a bateria antes de descarregar completamente. Sempre pare a operação da ferramenta e carregue o cartucho da bateria quando notar que há pouca carga na ferramenta.
- Nunca recarregue uma bateria completamente carregada. Carregar demais a bateria diminui sua vida útil.
- Carregue a bateria em temperatura ambiente de 10 °C - 40 °C (50 °F - 104 °F). Se a bateria estiver quente, deixe-a esfriar antes de carregá-la.
- Quando a bateria não estiver em uso, deve sempre removê-la da lanterna ou do carregador.
- Carregue a bateria se não for usá-la durante um longo período (mais de seis meses).

## DESCRIÇÃO FUNCIONAL

**⚠ CUIDADO:** Certifique-se sempre de que a ferramenta está desligada e a bateria removida antes de ajustar ou testar o funcionamento da ferramenta.

## Instalação ou remoção do cartucho da bateria (Fig. 2)

**⚠ CUIDADO:** Desligue sempre o aparelho antes de instalação ou remoção de bateria.

**⚠ CUIDADO:** **Segure a ferramenta e a bateria firmemente quando for instalar ou remover a bateria.** Falha em segurar a ferramenta e a bateria firmemente pode causar a queda de ambas e resultar em danos à ferramenta e à bateria e ferimentos pessoais.

Para instalar o cartucho da bateria, alinhe a lingueta no cartucho da bateria com a ranhura no compartimento e encaixe-o no lugar. Insira-a até que se trave com um clique. Se puder ver o indicador vermelho conforme mostrado na figura, significa que ele não está completamente bloqueado. Para remover a bateria, deslize-a para fora da lanterna enquanto desliza o botão na frente da bateria.

**⚠ CUIDADO:** Sempre instale a bateria completamente até que o indicador vermelho não seja visto. Caso contrário, ela pode cair da ferramenta, causando ferimentos a você ou a alguém por perto.

**⚠ CUIDADO:** Não force a bateria quando instalando-a. Se a bateria não deslizar facilmente, é por que não foi inserida corretamente.

## Indicando a capacidade restante da bateria (Fig. 3)

Pressione o botão de checagem na bateria para indicar a carga restante da bateria. As luzes indicadoras acendem durante alguns segundos.

Luzes de indicação			Carga restante
Iluminado	Desligado	Piscando	
■	□	▬	
■ ■ ■ ■			75% a 100%
■ ■ ■ □			50% a 75%
■ ■ □ □			25% a 50%
■ □ □ □			0% a 25%
▬ □ □ □			Carregue a bateria.
■ ■ □ □ ↑ ↓	□ □ ■ ■		A bateria pode ter tido um mau funcionamento.

### NOTA:

Dependendo das condições de uso e temperatura ambiente, a indicação pode diferir ligeiramente da capacidade atual.

### NOTA:

A primeira luz indicadora (totalmente à esquerda) irá piscar, se o sistema de proteção da bateria estiver funcional.

## Sistema de proteção de máquina / bateria

A ferramenta é equipada com o sistema de proteção, que automaticamente desliga a carga para estender o tempo de vida da bateria.

### Protecção contra sobrecarga

Quando a capacidade da bateria já não for suficiente, o dispositivo desliga-se automaticamente. Nesse caso, remova a bateria da lanterna e carregue-a.

### Protecções contra outras causas

O sistema de protecção também é projectado para outras causas que podem danificar o aparelho e permitem que o aparelho pare automaticamente. Quando o aparelho for interrompido ou parar de funcionar temporariamente, realize todas as seguintes etapas para eliminar as causas.

1. Desligue o aparelho e ligue-o novamente para reiniciá-lo.
2. Carregue as baterias ou substitua-as por baterias recarregadas.
3. Deixe o aparelho e as baterias esfriarem.

Se nenhum melhoramento puder ser encontrado com a restauração do sistema de protecção, entre em contato com o Centro de Serviços Makita local.

## Ativando a luz e ajustando o modo de brilho (Fig. 4)

### ⚠ CUIDADO:

Não olhe para a luz ou olhar para a fonte da luz directamente.

1. Interruptor: A sequência de seleção é: Modo alto (ligado) / modo médio / modo baixo / desligar para cada toque.
2. Seletor de modo: A sequência de iluminação é: lanterna inteira / parte de lanterna fixa / parte de lanterna dobrável para cada pressão quando o interruptor está ligado.

### NOTA:

Quando liga o aparelho, o mesmo modo de lanterna da última vez que o utilizou será ativado.

## Indicador de bateria fraca (Fig. 5)

Quando a bateria torna fraca, as lanternas LED apagam-se, exceto uma lanterna LED, de acordo com ilustrado. Então, aproximadamente cinco a dez minutos depois, o aparelho desliga automaticamente.

## OPERAÇÃO

### ⚠ CUIDADO:

Gire a barra de lanterna LED e dobre a parte dobrável da lanterna para estabilizar o equilíbrio do aparelho ao colocá-lo na posição vertical, conforme mostrado na Fig.4. Caso contrário, o aparelho poderá cair e ferimentos pessoais ocorrem.

## Ângulo da barra de lanterna LED (Fig. 6, Fig. 7)

### ⚠ CUIDADO:

Tome cuidado para não prender o(s) dedo(s) enquanto ajusta o ângulo da luz.

### ⚠ CUIDADO:

Garante que a parte da lanterna fixa e dobrável esteja travada de forma firme nas posições de dobramento e desdobramento, respectivamente.

A barra de lanterna LED pode ser girada em sete estágios para cada 45°. (90° para a direita e 180° para a esquerda)  
A parte leve dobrável pode ser dobrada em 0° ou 180°.

## Gancho de metal (Fig. 8)

Levante e deslize o gancho metálico para a posição central ao usar o gancho metálico.

## Cinto (Fig. 9)

### ⚠ CUIDADO:

Não use o orifício do anel e da tira para qualquer finalidade exceto a instalação da tira. Caso contrário, podem provocar ferimentos.

Instale a alça no aparelho conforme ilustrado.

## Instalando cliques de suporte no gancho telescópico (Fig. 10, Fig. 11)

### CUIDADO:

Tenha cuidado para não prender o(s) dedo(s) quando instala os cliques de suporte no gancho telescópico.

Instale os cliques de suporte no gancho telescópico conforme ilustrado.

### NOTA:

Garante que cada clipe de suporte seja deslizado até o orifício de posicionamento do clipe de suporte na barra principal.

### NOTA:

Garante que os dois cliques de suporte estejam na mesma direção de instalação.

## Instalação do aparelho no gancho telescópico (Fig. 12)

Instale o aparelho no gancho telescópico pelos cliques de suporte conforme ilustrado.

### NOTA:

Garante que cada clipe de suporte fique na posição de clipe do aparelho.

## Montagem do gancho telescópico (Fig. 13)

### CUIDADO:

Não pendure nada exceto aparelho no gancho telescópico. Caso contrário, os ganchos do suporte seriam danificados e poderão ocorrer ferimentos.

### CUIDADO:

Garante que todas as peças estejam fixadas com segurança antes de uso.

### CUIDADO:

Opere por segurar a barra principal e os ganchos de suporte ao montar o gancho telescópico. Tenha cuidado para não prender as mãos e os dedos, pois a barra interna retorna à sua posição original pela força das molas.

Segure um gancho de suporte para montá-lo onde desejar.

Segure outro gancho de suporte enquanto estende o gancho telescópico para montá-lo no local desejado (outro lado).

Ligue o aparelho e ajuste o ângulo de iluminação do aparelho para iluminar o local desejado conforme ilustrado.

### AVISO:

Em caso de usar bateria pesada, gire apenas a barra de lanterna LED para ajustar o ângulo de iluminação.

## MANUTENÇÃO

### CUIDADO:

Assegure-se sempre de que a ferramenta se encontra desligada e a bateria é removida antes de tentar realizar uma inspeção ou manutenção.

### AVISO:

Nunca use gasolina, benzina, removedor, álcool ou similares. Isso pode causar descoloração, deformação ou rachaduras.

Para manter a SEGURANÇA e CONFIANÇA do produto, reparos, qualquer manutenção ou ajuste devia ser feito pelos Centros Autorizados ou Fábrica da Makita, sempre usando as peças sobressalentes da Makita.

## Limpeza

### CUIDADO:

Nunca lave a ferramenta com água.

De vez em quando, limpe a parte externa do aparelho (corpo do aparelho) com um pano umedecido em água com sabão.

## ACESSÓRIOS OPCIONAIS

### CUIDADO:

Esses acessórios ou acoplamentos são recomendados para uso com a sua ferramenta Makita especificada neste manual. O uso de qualquer outro acessório poderá apresentar um risco de ferimentos a terceiros. Use os acessórios ou acoplamentos somente para os fins a que se destinam.

Se desejar assistência para mais detalhes sobre estes acessórios, consulte o centro de assistência técnica local da Makita.

- Carregador e bateria originais Makita

### NOTA:

Alguns itens da lista podem estar incluídos na embalagem do aparelho como acessórios padrão. Eles podem diferir de país para país.

## DANSK (Originale instruktioner)

1	Teleskopkrog	2	LED-lampe	3	Knap	4	Batteripatron	5	Rød indikator	6	Indikatorlamper	7	Kontrolknap	8	Fast lampedel (LED-24 stk.)
9	Sammenfoldelig lampedel (LED-18 stk.)	10	Kontakt	11	Tilstandsvælger	12	Indikator for lavt batteriniveau	13	Flytbar del	14	Metalkrog	15	Rem	16	Ring
17	Strophul	18	Bæreklemmens positionshul	19	Hovedstang	20	Indre stang	21	Bæreklemme	22	Holderkrog	23	Fastgjort position		

## SPECIFIKATIONER

Model:		DML818
Lampe	Lysstrøm (H/M/L)	1,700 lm /800 lm /400 lm
	Dimensioner (L × B × H) (uden batteripatron)	975 mm × 80 mm × 101 mm
	Nominel spænding	D.C. 14,4 V / 18 V
	Nettovægt (uden batteripatron)	1,1 kg
Teleskopkrog	Dimensioner (L × B × H) (med klemmer)	1,181 mm × 99 mm × 259 mm
	Nettovægt (med klemmer)	1,5 kg
	Tilgængelig bredde*	1,130 mm - 1,900 mm

- Specifikationer kan variere fra land til land.
- Specifikationer heri kan ændres uden varsel som følge af vores løbende forsknings- og udviklingsprogram.
- \* Den faktiske bredde kan variere afhængigt af placering og form.

## Velegnet batteripatron og oplader

Batteripatron	14,4 V	BL1415N / BL1430B / BL1440 / BL1460B
	18 V	BL1815N / BL1820B / BL1830B / BL1840B / BL1850B / BL1860B
Oplader	DC18RC / DC18RD / DC18RE / DC18SD / DC18SE / DC18SF / DC18SH / DC18WC	

- Nogle af de ovennævnte batteripatroner er muligvis ikke tilgængelige afhængigt af din bopælsregion.

**⚠ ADVARSEL:** Anvend kun de ovennævnte batteripatroner. Brug af andre batteripatroner kan medføre skade og/eller brand.

## Driftstid

Anvendelig batteripatron	Driftstid (cirka)		
	Hele lampe (LED-42 stk.)		
	Højt	Medium	Lavt
BL1415N	1,0 timer	2,2 timer	4,0 timer
BL1430B	1,6 timer	3,5 timer	7,0 timer
BL1440	2,6 timer	5,5 timer	11 timer
BL1460B	3,3 timer	7,0 timer	15 timer
BL1815N	1,3 timer	2,8 timer	5,5 timer
BL1820B	1,7 timer	3,5 timer	7,5 timer
BL1830B	2,4 timer	5,0 timer	10 timer
BL1840B	3,0 timer	7,0 timer	15 timer
BL1850B	4,0 timer	9,5 timer	19 timer
BL1860B	5,0 timer	11 timer	23 timer

- Driftstiden i ovenstående tabel er en grov vejledning. De kan variere fra den faktiske driftstid.
- Batteripatron kan variere fra land til land.
- Driftstiden kan variere afhængigt af batteritype, opladningsstatus og anvendelsesforhold.

## Symboler

Det følgende afsnit viser symbolerne, der kan bruges til apparatet. Sørg for, at du forstår deres betydning inden anvendelse.



- Læs brugervejledningen.



- Kun for EU-lande. På grund af de farlige ingredienser i udstyret, kan affald af elektrisk og elektronisk udstyr, akkumulatører og batterier have en negativ indvirkning på miljøet og menneskers sundhed. Må ikke bortskaffe elektriske og elektroniske apparater eller batterier sammen med husholdningsaffald! I henhold til det "Europæiske Direktiv" om affald af elektrisk og elektronisk udstyr, akkumulatører, affaldsakkumulatører og batterier samt dets tilsvarende ændringer til national lovgivning, bør affald af akkumulatører, affaldsakkumulatører og batterier opbevares separat og transporteres til uafhængige indsamlingssteder for affald, og bortskaffes i overensstemmelse med miljøbeskyttelsesbestemmelser. Dette er angivet med symbolet på den overkrydsede skraldespand, der er placeret på udstyret.



- Optisk stråling (UV og IR).  
Reducer eksponering for øjne og hud.



- Stirr ikke på lampen, der lys op.



- Anvend passende afskærmning eller øjebeskyttelse.



- Vær ekstra forsigtig, og pas på!



- Kun til indendørs brug.

## VIGTIGE SIKKERHEDSINSTRUKTIONER

### ⚠ ADVARSEL:

For at undgå personskade, må ikke stirre på apparatet, når lampen lyste op. Alvorlig øjenskade kan forekomme.

### ⚠ FORSIGTIG:

Grundlæggende sikkerhedsforanstaltninger skal altid følges under brug af apparater for at mindske risikoen for brand, elektrisk stød og personskade, inklusive følgende:

## LÆS ALLE INSTRUKTIONER.

1. For at undgå risikoen for personskade, hold apparatet væk fra børn, når det tages i brug.
2. For at undgå risikoen for elektrisk stød, må ikke anbringe apparatet i vand eller anden væske. Må ikke anbringe eller opbevare apparatet i et fugtigt sted.
3. Dæk ikke apparatet med klud eller karton, osv. I modsat fald, kan det forårsage brand.
4. Rør ikke ved indersiden af apparatet med pincet, metalværktøj osv.
5. Udsæt ikke apparatet for regn eller sne. Vask det aldrig i vand.
6. Rør ikke ved indersiden af apparatet med pincet, metalværktøj osv.
7. Rør ikke ved varme dele.
8. Når apparatet ikke er i brug, skal det altid slukkes, og batteripatronen fjernes fra apparatet.
9. Giv ikke apparatet et stød ved at tabe det, slå på det osv.
10. Brug kun tilbehør, der anbefales eller sælges af producenten.
11. Opbevar apparatet indendørs, når det ikke tages i brug. Opbevar apparatet utilgængeligt for børn.
12. Sikkerhedsinformationer for bærbare belysningslamper med batterier.
  - Bortskaffelse af batterier skal være i overensstemmelse med dine lokale regler, som beskriver, hvordan farligt affald bortskaffes.
  - Batteriet må ikke brændes.
13. Yderligere oplysninger om belysningslamper.
  - Lyskilden kan ikke udskiftes; når lyskilden når sin levetid, skal hele armaturet udskiftes.
14. Brug og opmærksomhed af batteriværktøj.
  - **ADVARSEL:** Læs alle sikkerhedsadvarsler og instruktioner. Manglende overholdelse af advarsler og instruktioner kan resultere i elektrisk stød, brand og/eller alvorlig personskade.
  - Undgå utilsigtet opstart. Sørg for, at kontakten er i slukket position, før du tilslutter apparatet til batteripakken, samler det op eller bærer det. Det inviterer til ulykker at bære apparatet med fingeren på kontakten eller tænde for apparatet, hvor kontakten er slået til.
  - Tag batteripakken ud af apparatet, før du foretager justeringer, skifter tilbehør eller oplager apparatet. Sådanne forebyggende sikkerhedsforanstaltninger reducerer risikoen for at komme til at starte apparatet ved et uheld.
  - Genoplad kun med den oplader, som producenten angiver. En oplader, der er egnet til én batteritype, kan udgøre en brandrisiko, når den anvendes til en anden batteripakke.
  - Brug kun apparater sammen med specifikt designede batteripakker. Anvendelse af andre batterier kan give risiko for personskade og brand.
  - Når batteriet ikke er i brug, skal det holdes væk fra andre metalgenstande, såsom papirklips, mønter, nøgler, søm, skruer eller andre mindre metalgenstande, som kan skabe forbindelse mellem den ene pol og den anden. Kortslutning af batteripolerne kan give forbrændinger eller forårsage brand.
  - Ved misbrug kan batteriet udsende væske. Undgå kontakt med denne. Skyl med vand, hvis du ved et uheld kommer i kontakt med den. Søg også lægehjælp, hvis væsken kommer i øjnene. Væsken fra batteriet kan give irritation eller forbrændinger.
  - Brug ikke et batteri eller apparat, som er blevet beskadiget eller modificeret. Beskadigede eller modificerede batterier kan resultere i brand, eksplosion eller personskade.
  - Udsæt ikke en batteripakke eller apparat for ild eller ekstrem temperatur. Udsættelse for brand eller temperatur over 130 °C (265 °F) kan forårsage eksplosion.
  - Følg alle instruktioner for opladning, og oplad ikke batteripakkerne eller apparatet uden for det temperaturområde, som er angivet i instruktionerne. U hensigtsmæssig opladning eller ved temperaturer uden for det angivne område kan beskadige batteriet og øge risikoen for brand.



- Få dit serviceeftersyn udført af en kvalificeret reparatør, og brug kun identiske reservedele. Dette vil sikre, at sikkerheden ved produktet bevares.
  - Du må ikke ændre eller forsøge at reparere apparatet eller batteripakken med undtagelse af instruktionerne for anvendelse og vedligeholdelse.
15. Vigtige sikkerhedsinstruktioner for batteripatron.
- Inden brug af batteripatron bedes du læse alle instruktioner og advarende markeringer på (1) batteriopladeren, (2) batteriet og (3) produktet, der anvender batteriet.
  - Batteripatronen må ikke skilles ad eller pilles ved. Det kan resultere i brand, voldsom varme eller eksplosion.
  - Hvis driftstiden er blevet betydeligt kortere, skal du omgående stoppe betjening. Dette kan resultere i risici for overophedning, mulige forbrændinger og eksplosion.
  - Hvis du får elektrolyt i dine øjne, skal du omgående skylle dem med rent vand og søge lægehjælp. Dette kan resultere i synstab.
  - Undlad at kortslutte batteripatronen.
  - Batteriet og batteripakken må ikke opbevares og anvendes på steder, hvor temperaturen kan nå op på eller overstige 50 °C (122 °F).
  - Batteripatronen må ikke brændes, selvom den er alvorligt beskadiget eller fuldstændigt udtømt. Batteripatronen kan eksplodere i en brand.
  - Undlad at slå søm i, knuse, kaste, og tabe batteripatronen og at slå en hård genstand mod batteripatronen. Dette kan resultere i brand, voldsom varme eller eksplosion.
  - Et beskadiget batteri må ikke anvendes.
  - De indeholdte litiumionbatterier er underlagt kravene for lovgivningen om farligt gods. Særlige krav om indpakning og mærkning skal overholdes ved kommerciel transport, f.eks. af tredjeparter og speditører. Det er nødvendigt at rådføre sig hos en ekspert inden for farligt materiale ved klargøring af den sendte vare. Desuden skal eventuelt nationale bestemmelser også overholdes. Maskér eller fastgør åbne kontakter med tape, og pak batteriet på en sådan måde, at det ikke kan bevæge sig rundt i pakken.
  - Anvend kun batterierne sammen med de produkter, som er angivet af Makita. Installation af batterierne i produkter, der ikke opfylder kravene, kan resultere i brand, voldsom varme, eksplosion eller udslip af elektrolyt.
  - Hvis værktøjet ikke benyttes over en længere periode, skal batteriet fjernes fra værktøjet.
  - Batteripatronen kan være varm under og efter brug, hvilket kan forårsage forbrændinger eller lavtemperaturforbrændinger. Vær opmærksom på håndteringen af varme batteripatroner.
  - Berør ikke produktets terminaler lige efter brug, da det kan være varmt nok til at forårsage forbrændinger.
  - Undgå at skår, støv og skidt sætter sig fast batteriets terminaler, huller og riller. Dette kan medføre forringet ydeevne eller driftsafbrydelse ved værktøjet eller batteripatronen.
  - Undlad at bruge batteripatronen i nærheden af elektriske strømledninger med stærk strøm, medmindre værktøjet understøtter brug nær elektriske strømledninger med stærk strøm. Dette kan medføre fejl eller driftsafbrydelse ved værktøjet eller batteripatronen.
  - Hold batteriet væk fra børn.

## GEM DISSE INSTRUKTIONER.

**⚠ FORSIGTIG:** Brug kun ægte batterier fra Makita. Anvendelse af andre batterier (ikke fra Makita) eller batterier, der er blevet ændret, kan resultere i, at batteriet sprænger og forårsager brand, personskade og beskadigelse. Dette vil også gøre garantien fra Makita ugyldig for både Makita-værktøjet og -opladeren.

16. Tips til at bevare maksimal batterilevetid.
- Oplad batteripatronen, før den aflades helt. Stop altid værktøjets betjening og oplad batteripatronen, når du bemærker mindre værktøjskraft.
  - Du må aldrig oplade en fuldt opladt batteripatron. Overopladning afkorter batteriets levetid.
  - Oplad batteripatronen ved en rumtemperatur på 10 °C - 40 °C (50 °F - 104 °F). Lad en varm batteripatron køle af, inden du oplader den.
  - Når batteripatronen ikke anvendes, skal du fjerne den fra værktøjet og opladeren.
  - Oplad batteripatronen, hvis du ikke bruger den i en længere periode (mere end seks måneder).

## FUNKTIONEL BESKRIVELSE

**⚠ FORSIGTIG:** Sørg altid for, at apparatet er slukket, og batteripatronen er fjernet, før du foretager justeringer af eller kontrollerer funktionen af apparatet.

## Isætning eller fjernelse af batteripatron (Fig. 2)

**⚠ FORSIGTIG:** Sluk altid for apparatet inden du installerer eller afmonterer batteripatronen.

**⚠ FORSIGTIG:** **Hold godt fast i apparatet og batteripatronen, når du isætter eller fjerner batteripatronen.** Hvis der ikke holdes godt fast i både apparatet og batteripatronen, kan det få dem til at glide ud af dine hænder og resultere i skade på apparatet og batteripatronen samt personskade.

For at installere batteripatronen skal du ligestille tungen på batteripatronen med rillen i huset og skubbe den på plads. Indsæt den, så den låses fast med et lille klik. Hvis du ser en røde indikator som vist på figuren, er den ikke låst helt.

For at fjerne batteripatronen, skal du skubbe den ud af apparatet, mens du skubber knappen på forsiden af patronen.

**⚠ FORSIGTIG:** Isæt altid batteripatronen helt, så den røde indikator ikke længere kan ses. Hvis ikke, kan den ved en fejltagelse falde ud af apparatet og skade dig eller folk omkring dig.

**⚠ FORSIGTIG:** Batteripatronen må ikke installeres med magt. Hvis patronen ikke glider let i, er den ikke isat korrekt.

## Angiver den resterende batterikapacitet (Fig. 3)

Tryk på kontrolknappen på batteripatronen for at se den tilbageværende batterikapacitet. Indikatorlamperne lyser i et par sekunder.

Indikatorlamper			Tilbageværende kapacitet
Oplyst	Slukket	Blinker	
■ ■ ■ ■			75 % til 100 %
■ ■ ■ □			50 % til 75 %
■ ■ □ □			25 % til 50 %
■ □ □ □			0 % til 25 %
▣ □ □ □			Oplad batteriet.
■ ■ □ □			Batteriet kan have en funktionsfejl.
□ □ ■ ■			

### BEMÆRK:

Afhængigt af anvendelsesforholdene og den omgivende temperatur kan indikatoren afvige fra den egentlige kapacitet.

### BEMÆRK:

Den første (længst til venstre) indikatorlampe blinker, når batteribeskyttelsessystemet virker.

## Apparatet / batteribeskyttelsessystem

Apparatet er udstyret med beskyttelsessystemet, som automatisk afbryder udgangsstrømmen for at forlænge dets levetid.

### Beskyttelse mod overopladning

Når batterikapaciteten ikke er høj nok, stopper apparatet automatisk. I dette tilfælde skal du fjerne batteriet fra apparatet og oplade det.

### Beskyttelse mod andre årsager

Beskyttelsessystemet er også designet til andre årsager, der kan beskadige apparatet, derefter gør det muligt for apparatet at stoppe automatisk. Følg nedenstående trinene for at finde årsagerne, når udstyret holder pause eller stopper.

1. Sluk for apparatet, derefter tænd det igen for at genstarte.
2. Oplad batteriet(er), eller udskift det/dem med fulde opladede batteri(er).
3. Gør apparatet og batteriet(er) køle af.

Hvis der ikke er nogen forbedringer ved at gendanne beskyttelsessystemet, anbefaler vi, at kontakte dit lokale Makita servicecenter.

## Sådan tænder du for lampen og vælger lysstyrketilstand (Fig. 4)

### ⚠ FORSIGTIG:

Undlad at se direkte ind i lyskilden.

1. Kontakt: Rækkefølgen for lysstyrke er: Høj-tilstand (tændt) / Medium-tilstand / lav-tilstand / Off (slukket) for hvert tryk.
2. Tilstandsvælger: Belysningssekvens er: Når apparatet tændes, hver gang der trykkes, tilstand er Hele Lampe / Fast Lampedele / Sammenfoldelige Lampedele.

### BEMÆRK:

Når du tænder for apparatet, tændes det i samme lystilstand som sidste gang du bruger det.

## Indikator for lavt batteriniveau (Fig. 5)

Når batteriniveauet er lavt, LED-lampen slukkes, undtagen et LED-lampe, som vist i figur. Apparatet automatisk slukker efter ca. fem til ti minutter.

## Betjening

### ⚠ FORSIGTIG:

For at stabilisere apparatets balance, roter LED-lampen og fold lampedele sammen til en tilpassende position, når du anbringer apparatet i lodret position som vist i fig. 4. I modsat fald, kan apparatet vælte og resultere i personskade.

## LED-lampens vinkel (Fig. 6, Fig. 7)

### ⚠ FORSIGTIG:

Vær forsigtig med ikke at få en eller flere fingre i klemme ved justering af lysvinklen.

### ⚠ FORSIGTIG:

Sørg for, at alle lampedele bliver gjort fast sammen i henholdsvis positioner, for at undgå produktskade.

For hver 45°, kan LED-lampen roteres i syv trin. (90° til højre og 180° til venstre)  
Nogle sammenfoldelige lampedele kan bøjes til 0° eller 180°.

## Metalkrog (Fig. 8)

Hæv og skub metalkrogen til midtposition, når du bruger metalkrogen.

## Sele (Fig. 9)

### ⚠ FORSIGTIG:

Brug aldrig ringen og strophullet til andre formål end at installere remmen. Ellers kan det medføre personskade.

Installer remmen på apparatet som vist.

## Installation af bæreklemmer i teleskopkrog (Fig. 10, Fig. 11)

### **FORSIGTIG:**

Pas på ikke at klemme fingre, når bæreklemmerne installeres i teleskopkrogen.

Installer bæreklemmerne i teleskopkrogen som vist.

### **BEMÆRK:**

Sørg for, at alle bæreklemmer er skubbet til de tilsvarende positionshuller på hovedstangen.

### **BEMÆRK:**

Sørg for, at de to bæreklemmer er installeret i samme retning.

## Installation af apparat på teleskopkrog (Fig. 12)

Installer apparatet på teleskopkrogen vha. bæreklemmerne som vist.

### **BEMÆRK:**

Sørg for, at alle bæreklemmerne kan holde apparatet sikkert.

## Montering af teleskopkrog (Fig. 13)

### **FORSIGTIG:**

Hæng ikke andet end apparatet på teleskopkrogen. Ellers kan holderkrogene blive beskadiget, og medføre muligvis personskaade.

### **FORSIGTIG:**

Sørg for, at alle dele er fastgjort sikkert inden brug.

### **FORSIGTIG:**

Hold hovedstangen og holderkrogene, når du monterer teleskopkrogen. Pas på ikke at klemme dine hænder og fingre, fordi den indre stang går tilbage til sin oprindelige position på grund af fjedrenes kraft.

Hold en holderkrog for at montere den på en ønsket position.

Hold en anden af holderkrogen, mens du strækker teleskopkrogen ud for at montere den på det ønskede sted (en anden side).

Tænd for apparatet, og juster apparatets belysningsvinkel for at belyse det ønskede sted som vist.

### **BEMÆRK:**

Hvis du bruger det tunge batteri, skal du rotere LED-lampe for at justere belysningsvinklen.

## VEDLIGEHOELDELSE

### **FORSIGTIG:**

Sørg altid for, at apparatet er slukket, og batteripatronen er fjernet, før du forsøger at udføre inspektion eller vedligeholdelse.

### **BEMÆRK:**

Benyt aldrig benzin, rensebenzin, fortyndermiddel, alkohol eller lignende. Misfarvning, deformation eller revner kan forekomme.

For at vedligeholde produktsikkerhed og pålidelighed skal reparationer, enhver anden vedligeholdelse eller justering udføres af autoriserede Makita-servicecentre eller fabriksservicecentre, altid ved hjælp af Makita-reservedele.

## Rengøring

### **FORSIGTIG:**

Vask aldrig apparatet i vand. Brug en klud med sæbevand til at tørre apparatets yderside (apparatets krop).

## VALGFRIT TILBEHØR

### **FORSIGTIG:**

Dette tilbehør eller disse påmonteringer er anbefalet til brug med dit Makita-apparat angivet i denne manual. Anvendelsen af andet tilbehør eller påmonteringer kan udgøre en risiko for personskaade. Brug kun tilbehør eller påmonteringer til deres erklærede formål.

Hvis du har behov for flere oplysninger om dette tilbehør, kan du kontakte dit lokale Makita-servicecenter.

- Ægte Makita-batteri og -oplader

### **BEMÆRK:**

Nogle elementer på listen kan være inkluderet i apparatpakken som standardtilbehør. Dette kan variere fra land til land.

## ΕΛΛΗΝΙΚΑ (Αρχικές οδηγίες)

1	Τηλεσκοπικό γάντζο	2	Φωτιστικό μπάρας LED	3	Κουμπί	4	Δοχείο μπαταρίας	5	Κόκκινη ένδειξη	6	Λυχνία ένδειξης	7	Κουμπί ελέγχου	8	Σταθεροποιημένο τμήμα φωτιστικού (LED-24 τεμάχια)
9	Πτισσόμενο τμήμα φωτιστικού (LED-18 τεμάχια)	10	Διακόπτης	11	Επιλογέας τρόπου λειτουργίας	12	Ένδειξη χαμηλής στάθμης μπαταρίας	13	Κινητό τμήμα	14	Μεταλλικό γάντζο	15	Ιμάντας	16	Δακτύλιος
17	Οπή ιμάντα	18	Οπή τοποθέτησης του κλιπ φορέα	19	Κεντρική μπάρα	20	Εσωτερική μπάρα	21	Κλιπ φορέα	22	Γάντζο στήριξης	23	Θέση για κλιπ		

## ΤΕΧΝΙΚΑ ΧΑΡΑΚΤΗΡΙΣΤΙΚΑ

Μοντέλο:		DML818
Φωτιστικό	Φωτεινή ροή (Υ/Μ/Χ)	1.700 lm /800 lm /400 lm
	Διαστάσεις (Μ × Π × Υ) (χωρίς το δοχείο μπαταρίας)	975 mm × 80 mm × 101 mm
	Βαθμονομημένη τάση	D.C. 14,4 V / 18 V
	Καθαρό βάρος (χωρίς το δοχείο μπαταρίας)	1.1 kg
Τηλεσκοπικό γάντζο	Διαστάσεις (Μ × Π × Υ) (με κλιπ)	1.181 mm × 99 mm × 259 mm
	Καθαρό βάρος (με κλιπ)	1.5 kg
	Διαθέσιμο πλάτος *	1.130 mm - 1.900 mm

- Τα τεχνικά χαρακτηριστικά μπορεί να διαφέρουν ανάλογα με τη χώρα.
- Στο πλαίσιο του συνεχιζόμενου προγράμματος έρευνας και ανάπτυξης της εταιρείας μας, τα τεχνικά χαρακτηριστικά που αναφέρονται στο παρόν εγχειρίδιο ενδέχεται να αλλάξουν χωρίς προειδοποίηση.
- \* Το πραγματικό διαθέσιμο πλάτος ενδέχεται να διαφέρει ανάλογα με την τοποθεσία και το σχήμα.

## Δοχείο μπαταρίας και φορτιστής που χρησιμοποιούνται

Δοχείο μπαταρίας	14,4 V	BL1415N / BL1430B / BL1440 / BL1460B
	18 V	BL1815N / BL1820B / BL1830B / BL1840B / BL1850B / BL1860B
Φορτιστής	DC18RC / DC18RD / DC18RE / DC18SD / DC18SE / DC18SF / DC18SH / DC18WC	

- Ορισμένες από τις παραπάνω μπαταρίες ενδέχεται να μην είναι διαθέσιμες, ανάλογα με την περιοχή σας.

**⚠ ΠΡΟΕΙΔΟΠΟΙΗΣΗ:** Χρησιμοποιείτε μόνο τις μπαταρίες που αναφέρονται πιο πάνω. Η χρήση οποιασδήποτε άλλης μπαταρίας μπορεί να προκαλέσει τραυματισμό ή/και πυρκαγιά.

## Χρόνος λειτουργίας

Μπαταρία	Χρόνος λειτουργίας (κατά προσέγγιση)		
	Ολόκληρο φωτιστικό ( LED-42 τεμάχια )		
	Υψηλή ένταση	Μέσον	Χαμηλή ένταση
BL1415N	1,0 ώρες	2,2 ώρες	4,0 ώρες
BL1430B	1,6 ώρες	3,5 ώρες	7,0 ώρες
BL1440	2,6 ώρες	5,5 ώρες	11 ώρες
BL1460B	3,3 ώρες	7,0 ώρες	15 ώρες
BL1815N	1,3 ώρες	2,8 ώρες	5,5 ώρες
BL1820B	1,7 ώρες	3,5 ώρες	7,5 ώρες
BL1830B	2,4 ώρες	5,0 ώρες	10 ώρες
BL1840B	3,0 ώρες	7,0 ώρες	15 ώρες
BL1850B	4,0 ώρες	9,5 ώρες	19 ώρες
BL1860B	5,0 ώρες	11 ώρες	23 ώρες

- Οι χρόνοι λειτουργίας στον παραπάνω πίνακα είναι ενδεικτικοί και κατά προσέγγιση. Μπορεί να διαφέρουν από τους πραγματικούς χρόνους λειτουργίας.
- Το δοχείο μπαταρίας μπορεί να διαφέρει από χώρα σε χώρα.
- Οι χρόνοι λειτουργίας μπορεί να διαφέρουν ανάλογα με τον τύπο της μπαταρίας, την κατάσταση φόρτισης και τις συνθήκες χρήσης.

## Σύμβολα

Ακολουθούν τα σύμβολα που ενδέχεται να χρησιμοποιηθούν για τον εξοπλισμό. Πριν χρησιμοποιήσετε το προϊόν, θα πρέπει να είστε σίγουροι ότι κατανοείτε τη σημασία αυτών των συμβόλων.



- Διαβάστε το εγχειρίδιο οδηγιών.



- Μόνο για χώρες της ΕΕ Λόγω της παρουσίας επικίνδυνων εξαρτημάτων στον εξοπλισμό, τα απόβλητα ηλεκτρικού και ηλεκτρονικού εξοπλισμού, συσσωρευτών και μπαταριών ενδέχεται να έχουν αρνητικές επιπτώσεις στο περιβάλλον και την ανθρώπινη υγεία. Μην πετάτε τις ηλεκτρικές και ηλεκτρονικές συσκευές ή τις μπαταρίες με τα οικιακά απορρίμματα! Σύμφωνα με την Ευρωπαϊκή Οδηγία για τα απόβλητα ηλεκτρικού και ηλεκτρονικού εξοπλισμού και για συσσωρευτές και μπαταρίες, καθώς και την προσαρμογή τους στην εθνική νομοθεσία, τα απόβλητα ηλεκτρικού εξοπλισμού, μπαταριών και συσσωρευτών πρέπει να αποθηκεύονται χωριστά και να παραδίδονται σε ξεχωριστό σημείο συλλογής για τα αστικά απόβλητα, λειτουργώντας σύμφωνα με τους κανονισμούς για την προστασία του περιβάλλοντος. Αυτό υποδεικνύεται από το σύμβολο του διαγραμμένου τροχοφόρου κάδου που είναι τοποθετημένος στον εξοπλισμό.



- Οπτική ακτινοβολία (UV και IR). Ελαχιστοποιήστε την έκθεση των ματιών και του δέρματος.



- Μην κοιτάζετε τον φακό όταν είναι αναμμένος.



- Χρησιμοποιήστε κατάλληλο εξοπλισμό προστασίας των ματιών.



- Απαιτείται ιδιαίτερη προσοχή!



- Μόνο για εσωτερική χρήση

## ΣΗΜΑΝΤΙΚΕΣ ΟΔΗΓΙΕΣ ΑΣΦΑΛΕΙΑΣ

### ⚠ ΠΡΟΕΙΔΟΠΟΙΗΣΗ:

Για τη μείωση του κινδύνου τραυματισμού, μην κοιτάτε τις συσκευές που βρίσκονται σε λειτουργία. Θα μπορούσε να προκληθεί σοβαρός τραυματισμός στα μάτια.

### ⚠ ΠΡΟΣΟΧΗ:

Κατά τη χρήση συσκευών, θα πρέπει να λαμβάνετε πάντα τα βασικά μέτρα προφύλαξης ώστε να περιορίζεται ο κίνδυνος πυρκαγιάς, ηλεκτροπληξίας και τραυματισμού, μεταξύ των οποίων και τα ακόλουθα:

## ΔΙΑΒΑΣΤΕ ΟΛΕΣ ΤΙΣ ΟΔΗΓΙΕΣ.

1. Για τη μείωση του κινδύνου τραυματισμού, είναι απαραίτητη η στενή επίβλεψη όταν η συσκευή τίθεται σε λειτουργία κοντά σε παιδιά.
2. Για τη μείωση του κινδύνου ηλεκτροπληξίας, μην τοποθετείτε τη συσκευή σε νερό ή άλλο υγρό. Μην τοποθετείτε ή αποθηκεύετε τη συσκευή σε σημείο όπου είναι πιθανό να πέσει ή να τραβηχτεί μέσα σε μπανιέρα ή νεροχύτη.

3. Μην καλύπτετε τη συσκευή με ύφασμα ή χαρτοκιβώτιο κ.λπ. Διαφορετικά θα μπορούσε να προκληθεί φλόγα.
4. Μην αγγίζετε το εσωτερικό της συσκευής με τσιμπιδάκια, μεταλλικά εργαλεία, κτλ.
5. Μην αφήνετε τη συσκευή εκτεθειμένη στη βροχή ή στο χιόνι. Μην το πλένετε σε νερό.
6. Μην αγγίζετε το εσωτερικό της συσκευής με τσιμπιδάκια, μεταλλικά εργαλεία, κτλ.
7. Μην αγγίζετε τα καυτά τμήματα.
8. Όταν δεν χρησιμοποιείτε τη συσκευή, θα πρέπει πάντα να την απενεργοποιείτε και να αφαιρείτε το δοχείο μπαταρίας από τη συσκευή.
9. Μην προκαλείτε κραδασμούς στη συσκευή αφήνοντας τη να πέσει κάτω ή χτυπώντας τη, κτλ.
10. Χρησιμοποιείτε μόνο εξαρτήματα συνιστάμενα ή πωλούμενα από τον κατασκευαστή.
11. Αποθηκεύστε το προϊόν σε εσωτερικό χώρο κατά τη διάρκεια της μη χρήσης. Φυλάσσεται μακριά από παιδιά.
12. Πληροφορίες ασφαλείας για φορητά φωτιστικά σώματα με μπαταρίες.
- Η απόρριψη των μπαταριών πρέπει να πραγματοποιείται σύμφωνα με τους κανονισμούς της χώρας σας που αναφέρονται στην απόρριψη επικίνδυνων υλικών.
- Μην αποτεφρώσετε την μπαταρία.
13. Πρόσθετες πληροφορίες για φωτιστικά σώματα.
- Η φωτεινή πηγή αυτού του φωτιστικού δεν είναι αντικαταστάσιμη. Όταν η πηγή φωτός φτάσει στο τέλος της ζωής της, θα αντικατασταθεί ολόκληρο το φωτιστικό.
14. Χρήση και φροντίδα μπαταρίας.
- ΠΡΟΕΙΔΟΠΟΙΗΣΗ: Διαβάστε πλήρως όλες τις προειδοποιήσεις ασφαλείας και τις οδηγίες. Η μη τήρηση όλων των προειδοποιήσεων και των οδηγιών μπορεί να οδηγήσει σε ηλεκτροπληξία, πυρκαγιά ή/και σοβαρό τραυματισμό.
- Λάβετε τα απαραίτητα μέτρα ώστε να μην είναι δυνατό να τεθεί ακούσια σε λειτουργία η συσκευή. Πριν συνδέσετε τη συσκευή με την μπαταρία και πριν από κάθε μετακίνηση ή μεταφορά της, θα πρέπει να διασφαλίσετε ότι ο διακόπτης βρίσκεται στη θέση απενεργοποίησης. Αν μεταφέρετε τη συσκευή έχοντας το δάχτυλό σας στον διακόπτη ή τη φορτίσετε με τον διακόπτη στη θέση ενεργοποίησης, υπάρχει κίνδυνος ατυχήματος.
- Αποσυνδέετε την μπαταρία από τη συσκευή πριν από οποιαδήποτε προσαρμογή, αλλαγή εξαρτήματος ή φύλαξη. Αυτά τα προληπτικά μέτρα ασφαλείας μειώνουν τον κίνδυνο ακούσιας ενεργοποίησης της συσκευής.
- Η επαναφόρτιση της συσκευής θα πρέπει να γίνεται μόνο με τον φορτιστή που προβλέπει ο κατασκευαστής. Ένας φορτιστής που είναι κατάλληλος για έναν τύπο μπαταρίας μπορεί να προκαλέσει κίνδυνο πυρκαγιάς, αν χρησιμοποιηθεί με άλλη μπαταρία.
- Χρησιμοποιείτε τη συσκευή αποκλειστικά και μόνο με τις προβλεπόμενες μπαταρίες. Η χρήση οποιασδήποτε άλλης μπαταρίας μπορεί να προκαλέσει κίνδυνο τραυματισμού και πυρκαγιάς.
- Όταν δεν χρησιμοποιείτε την μπαταρία, θα πρέπει να τη φυλάτε μακριά από άλλα μεταλλικά αντικείμενα, όπως συνδετήρες, νομίσματα, κλειδιά, καρφιά, βίδες ή άλλα μικρά μεταλλικά αντικείμενα που θα μπορούσαν να προκαλέσουν τη σύνδεση των δύο πόλων. Η βραχυκύκλωση των πόλων της μπαταρίας μπορεί να προκαλέσει εγκαύματα ή πυρκαγιά.
- Σε συνθήκες κακής χρήσης, ενδέχεται να παρατηρηθεί διαρροή υγρών από την μπαταρία. Αποφύγετε την επαφή. Σε περίπτωση ατυχήματος, ξεπλύνετε με νερό την περιοχή που ήρθε σε επαφή με τα υγρά της μπαταρίας. Αν εισέλθουν υγρά μπαταρίας στα μάτια σας, αφού τα ξεπλύνετε με νερό, ζητήστε ιατρική βοήθεια. Τα υγρά της μπαταρίας μπορεί να προκαλέσουν ερεθισμούς ή εγκαύματα.
- Μην χρησιμοποιείτε μπαταρίες ή συσκευές που έχουν παρουσιάσει βλάβη ή έχουν τροποποιηθεί. Οι ελαττωματικές ή τροποποιημένες μπαταρίες μπορεί να παρουσιάσουν απροσδόκητη συμπεριφορά και να προκαλέσουν πυρκαγιά, έκρηξη ή κίνδυνο τραυματισμού.

- Μην εκθέτετε την μπαταρία ή τη συσκευή σε φλόγες ή υπερβολικά υψηλές θερμοκρασίες. Η έκθεση σε φωτιά ή σε θερμοκρασία άνω των 130 °C (265 °F) μπορεί να προκαλέσει έκρηξη.
  - Ακολουθείτε όλες τις οδηγίες φόρτισης και μη φορτίζετε την μπαταρία ή τη συσκευή σε θερμοκρασίες εκτός των ορίων που προβλέπονται στις σχετικές οδηγίες. Η ακατάλληλη φόρτιση ή η φόρτιση σε θερμοκρασίες εκτός των προβλεπόμενων ορίων μπορεί να προκαλέσει βλάβη στην μπαταρία και να αυξήσει τον κίνδυνο πυρκαγιάς.
  - Το σέρβις της συσκευής θα πρέπει να γίνεται από εξειδικευμένο τεχνικό με πανομοιότυπα ανταλλακτικά. Με τον τρόπο αυτόν, διασφαλίζετε ότι το προϊόν σας θα παραμείνει ασφαλές.
  - Μην τροποποιήσετε και μην επιχειρήσετε να επισκευάσετε τη συσκευή ή την μπαταρία, παρά μόνο εφόσον κάτι τέτοιο προβλέπεται από τις οδηγίες χρήσης και φροντίδας.
15. Σημαντικές πληροφορίες ασφάλειας για την μπαταρία.
- Πριν χρησιμοποιήσετε την μπαταρία, διαβάστε όλες τις οδηγίες και τις επισημάνσεις για (1) τον φορτιστή, (2) την μπαταρία και (3) το προϊόν με μπαταρία.
  - Μην αποσυνδέετε ή αλλοιώνετε το δοχείο της μπαταρίας. Μπορεί να προκληθεί πυρκαγιά, υπερβολική θερμότητα ή έκρηξη.
  - Αν έχει μειωθεί σημαντικά ο χρόνος λειτουργίας, σταματήστε άμεσα να χρησιμοποιείτε τη συσκευή. Υπάρχει κίνδυνος υπερθέρμανσης, εγκαύματος ή ακόμα και έκρηξης.
  - Σε περίπτωση που εισέλθουν ηλεκτρολύτες στα μάτια σας, ξεπλύνετε τα με καθαρό νερό και ζητήστε αμέσως ιατρική βοήθεια. Υπάρχει κίνδυνος απώλειας όρασης.
  - Μη βραχυκυκλώσετε το δοχείο της μπαταρίας.
  - Μην φυλάσσετε και χρησιμοποιείτε το εργαλείο και το δοχείο μπαταρίας σε σημεία όπου η θερμοκρασία μπορεί να φτάσει ή να ξεπεράσει τους 50 °C (122 °F).
  - Μην αποτεφρώσετε την μπαταρία, ακόμα κι αν είναι εντελώς κατεστραμμένη ή άδεια. Η μπαταρία μπορεί να εκραγεί στη φωτιά.
  - Μην καρφώνετε, κόβετε, συνθλίβετε, πετάτε το δοχείο μπαταρίας ούτε να το αφήσετε να σας πέσει ή να χτυπήσει σε σκληρό αντικείμενο. Οι εν λόγω ενέργειες μπορούν να προκαλέσουν πυρκαγιά, υπερβολική θερμότητα ή έκρηξη.
  - Μην χρησιμοποιήσετε μια μπαταρία που έχει παρουσιάσει βλάβη.
  - Οι παρεχόμενες μπαταρίες ιόντων λιθίου υπόκεινται στις απαιτήσεις της νομοθεσίας για τα επικίνδυνα αγαθά. Για τις εμπορικές μεταφορές, π.χ. από τρίτους ή μεταφορικές εταιρείες, πρέπει να τηρούνται οι ειδικές απαιτήσεις για τη συσκευασία και τη σήμανση. Για την προετοιμασία του προϊόντος προς μεταφορά, απαιτείται η συνδρομή ειδικού για τα επικίνδυνα υλικά. Επίσης, οφείλετε να τηρείτε τη νομοθεσία της χώρας σας, η οποία ενδέχεται να προβλέπει περισσότερες απαιτήσεις. Καλύψτε με ταινία ή άλλα μέσα τις ανοιχτές επαφές και συσκευάστε την μπαταρία έτσι ώστε να μην μπορεί να μετακινηθεί μέσα στη συσκευασία της.
  - Χρησιμοποιήστε τις μπαταρίες μόνο με τα προϊόντα που προβλέπει η Makita. Η τοποθέτηση των μπαταριών σε μη συμβατά προϊόντα μπορεί να προκαλέσει πυρκαγιά, υπερβολική θερμότητα, έκρηξη ή διαρροή ηλεκτρολυτών.
  - Αν δεν πρόκειται να χρησιμοποιήσετε το εργαλείο για μεγάλο χρονικό διάστημα, αφαιρέστε την μπαταρία.
  - Κατά τη χρήση και μετά από αυτή, το δοχείο μπαταρίας απορροφά θερμότητα που ενδέχεται να προκαλέσει εγκαύματα λόγω υψηλής ή χαμηλής θερμοκρασίας. Επιδείξτε προσοχή κατά τον χειρισμό των καυτών δοχείων μπαταρίας.
  - Μην αγγίζετε τον ακροδέκτη του εργαλείου αμέσως μετά τη χρήση, επειδή μπορεί να γίνεται αρκετά ζεστό ώστε να προκαλέσει εγκαύματα.
  - Μην αφήνετε θραύσματα, σκόνη ή χύμα μέσα στους ακροδέκτες, τις οπές ή τις αυλακώσεις του δοχείου μπαταρίας. Μπορεί να έχει ως αποτέλεσμα τη χαμηλή απόδοση ή τη βλάβη του δοχείου μπαταρίας.
  - Εκτός εάν το εργαλείο υποστηρίζει τις κοντινές γραμμές μεταφοράς ηλεκτρικής ενέργειας υψηλής τάσης, μην χρησιμοποιείτε το δοχείο μπαταρίας σε κοντινή απόσταση από αυτές. Μπορεί να προκληθεί πολλαπλή δυσλειτουργία ή βλάβη του εργαλείου ή του δοχείου μπαταρίας.
  - Η μπαταρία να φυλάσσεται μακριά από τα παιδιά.

## ΚΡΑΤΗΣΤΕ ΑΥΤΕΣ ΤΙΣ ΟΔΗΓΙΕΣ.

**⚠ ΠΡΟΣΟΧΗ:** Χρησιμοποιείτε μόνο αυθεντικές μπαταρίες Makita. Η χρήση μη αυθεντικών μπαταριών Makita ή τροποποιημένων μπαταριών μπορεί να οδηγήσει σε ανάφλεξη της μπαταρίας και, κατά συνέπεια, σε πυρκαγιά, τραυματισμό και υλικές ζημιές. Επίσης, καθιστά άκυρη την εγγύηση της Makita για το εργαλείο και τον φορτιστή.

16. Συμβουλές για μέγιστη διάρκεια μπαταρίας.
- Φορτίζετε την μπαταρία προτού αποφορτιστεί πλήρως. Όταν παρατηρείτε μειωμένη ισχύ στο εργαλείο, πάντοτε να σταματάτε τη λειτουργία και να φορτίζετε τη μπαταρία.
  - Μην επαναφορτίζετε ποτέ την μπαταρία ενώ είναι ήδη πλήρως φορτισμένη. Η υπερφόρτιση μειώνει τη διάρκεια ζωής της μπαταρίας.
  - Φορτίζετε την μπαταρία σε περιβάλλον με θερμοκρασία 10 °C - 40 °C (50 °F - 104 °F). Αν η μπαταρία είναι ζεστή, περιμένετε να κρυώσει πριν τη φορτίσετε.
  - Όταν το δοχείο μπαταρίας δεν χρησιμοποιείται, αφαιρέστε το από το εργαλείο ή τον φορτιστή.
  - Φορτίστε την μπαταρία, αν δεν την έχετε χρησιμοποιήσει για μεγάλο διάστημα (πάνω από έξι μήνες).

## ΠΕΡΙΓΡΑΦΗ ΛΕΙΤΟΥΡΓΙΑΣ

**⚠ ΠΡΟΣΟΧΗ:** Πριν προσαρμόσετε ή ελέγξετε τη λειτουργία της συσκευής, θα πρέπει πάντα να την απενεργοποιείτε και να αφαιρείτε το δοχείο μπαταρίας.

## Εγκατάσταση ή αφαίρεση θήκης μπαταρίας (Fig. 2)

**⚠ ΠΡΟΣΟΧΗ:** Θέτετε πάντα εκτός λειτουργίας τη συσκευή πριν από την τοποθέτηση ή την αφαίρεση του δοχείου μπαταρίας.

**⚠ ΠΡΟΣΟΧΗ:** Κατά την τοποθέτηση ή την αφαίρεση της μπαταρίας, κρατήστε σταθερά τη συσκευή και την μπαταρία. Αν δεν κρατάτε σταθερά τη συσκευή και την μπαταρία, μπορεί να σας γλιστρήσουν και, κατά συνέπεια, να προκληθεί βλάβη στη συσκευή και την μπαταρία, και τραυματισμός.

Για να εγκαταστήσετε τη θήκη μπαταρίας, ευθυγραμμίστε το γλωσσίδι της θήκης μπαταρίας με την αύλακα της θήκης και κυλήστε το μέχρι να μπει στη θέση του. Πιέστε την μπαταρία μέχρι να ακούσετε τον χαρακτηριστικό ήχο που υποδηλώνει ότι έχει ασφαλίσει στη θέση της. Όταν δείτε την κόκκινη ένδειξη, όπως φαίνεται στην εικόνα, δεν είναι κλειδωμένη εντελώς. Για να αφαιρέσετε το δοχείο μπαταρίας, τραβήξτε το έξω από το συσκευή σύροντας ταυτόχρονα το κουμπί που υπάρχει στην μπροστινή πλευρά του δοχείου.

### ⚠ ΠΡΟΣΟΧΗ:

Τοποθετήστε σωστά την μπαταρία, έτσι ώστε να μην είναι εμφανής η κόκκινη ένδειξη. Σε αντίθετη περίπτωση, η μπαταρία μπορεί να πέσει κατά λάθος από τη συσκευή, τραυματίζοντας είτε εσάς είτε άλλο πρόσωπο που βρίσκεται κοντά σας.

### ⚠ ΠΡΟΣΟΧΗ:

Μην ασκήσετε δύναμη για να τοποθετήσετε την μπαταρία. Αν δεν μπορείτε να σύρετε με ευκολία την μπαταρία στη θέση της, αυτό σημαίνει ότι δεν την τοποθετείτε σωστά.

## Ένδειξη της υπολειπόμενης χωρητικότητας της μπαταρίας (Fig. 3)

Πατήστε το κουμπί ελέγχου στην μπαταρία για να δείτε την υπολειπόμενη χωρητικότητα. Η ενδεικτική λυχνία ανάβει για λίγα δευτερόλεπτα.

Ενδεικτικές λυχνίες			Υπολειπόμενη χωρητικότητα
Αναμμένες	Σβηστές	Αναβοσβήνουν	
■ ■ ■ ■	□ □ □ □	□ □ □ □	75% έως 100%
■ ■ ■ □	□ □ □ □	□ □ □ □	50% έως 75%
■ ■ □ □	□ □ □ □	□ □ □ □	25% έως 50%
■ □ □ □	□ □ □ □	□ □ □ □	0% έως 25%
▣ □ □ □	□ □ □ □	□ □ □ □	Φορτίστε την μπαταρία.
■ ■ □ □ □ □ ■ ■	□ □ □ □	□ □ □ □	Η μπαταρία μπορεί να έχει παρουσιάσει κάποια δυσλειτουργία.

### ΣΗΜΕΙΩΣΗ:

Ανάλογα με τις συνθήκες χρήσης και τη θερμοκρασία περιβάλλοντος, η ένδειξη μπορεί να διαφέρει ελαφρά από την πραγματική χωρητικότητα.

### ΣΗΜΕΙΩΣΗ:

Η πρώτη (άκρη αριστερά) ενδεικτική λυχνία θα αναβοσβήνει κατά τη λειτουργία του συστήματος προστασίας της μπαταρίας.

## Σύστημα προστασίας συσκευή / μπαταρίας

Η συσκευή διαθέτει σύστημα προστασίας που κόβει αυτόματα την παροχή ρεύματος, για μεγαλύτερη διάρκεια ζωής.

### Προστασία από υπερεκφόρτιση

Όταν η χωρητικότητα της μπαταρίας δεν επαρκεί, η συσκευή διακόπτεται απότομα. Σε αυτή την περίπτωση, αφαιρέστε την μπαταρία από τη συσκευή και φορτίστε την.

### Προστασία έναντι άλλων αιτιών

Το σύστημα προστασίας έχει σχεδιαστεί επίσης για άλλες αιτίες που θα μπορούσαν να βλάψουν τη συσκευή και επιτρέπει στη συσκευή να σταματά αυτόματα. Ακολουθήστε όλα τα παρακάτω βήματα για να καθαρίσετε τα αίτια, όταν η συσκευή έχει τεθεί προσωρινά σε διακοπή ή διακοπή της λειτουργίας.

1. Απενεργοποιήστε τη συσκευή και ενεργοποιήστε την ξανά για επανεκκίνηση.
2. Φορτίστε τις μπαταρίες ή αντικαταστήστε τις με επαναφορτισμένη μπαταρία.
3. Αφήστε τη συσκευή και την μπαταρία να κρυσώσουν.

Εάν δεν μπορεί να βρεθεί καμία βελτίωση με την επαναφορά του συστήματος προστασίας, τότε επικοινωνήστε με το τοπικό σας Κέντρο Εξυπηρέτησης της Makita.

## Ενεργοποίηση φακού και επιλογή λειτουργίας φωτεινότητας (Fig. 4)

### ⚠ ΠΡΟΣΟΧΗ:

Μην κοιτάζετε απευθείας στην πηγή του φωτός.

1. Διακόπτης: Η ακολουθία των ρυθμίσεων φωτεινότητας είναι η εξής: Υψηλή λειτουργία (Ενεργοποίηση) / Μέτρια λειτουργία / Χαμηλή λειτουργία / Απενεργοποίηση για κάθε πάτημα.
2. Επιλογέας τρόπου λειτουργίας: Η ακολουθία φωτισμού είναι η εξής: Ολόκληρο φωτιστικό / Σταθεροποιημένο τμήμα φωτιστικού / Πτυσσόμενο τμήμα φωτιστικού για κάθε πάτημα όταν ο διακόπτης είναι ενεργοποιημένος.

### ΣΗΜΕΙΩΣΗ:

Κατά την ενεργοποίηση της συσκευής, θα ενεργοποιηθεί η ίδια λειτουργία φωτισμού με την τελευταία φορά που τη χρησιμοποιήσατε.

## Ένδειξη χαμηλής στάθμης μπαταρίας ( Fig. 5)

Σε περίπτωση που η στάθμη της μπαταρίας είναι χαμηλή, οι ενδείξεις LED σβήνουν, εκτός από μία ένδειξη LED, όπως απεικονίζεται. Στη συνέχεια, περίπου πέντε έως δέκα λεπτά αργότερα, η συσκευή απενεργοποιείται αυτόματα.

## ΛΕΙΤΟΥΡΓΙΑ

### ⚠ ΠΡΟΣΟΧΗ:

Περιστρέψτε τη φωτιστική μπάρα LED και διπλώστε προς τα κάτω το πτυσσόμενο τμήμα φωτιστικού για να σταθεροποιήσετε την ισορροπία της συσκευής όταν θέτετε τη συσκευή σε όρθια θέση, όπως φαίνεται στην fig.4. Διαφορετικά, η συσκευή θα μπορούσε να πέσει και να προκληθεί προσωπικός τραυματισμός.

## Γωνία της μπάρας φωτιστικού LED ( Fig. 6, Fig. 7)

### ⚠ ΠΡΟΣΟΧΗ:

Προσέξτε να μην πιάσετε τα δάχτυλά σας ενώ ρυθμίζετε τη γωνία φωτισμού.

### ⚠ ΠΡΟΣΟΧΗ:

Βεβαιωθείτε ότι το στερεοποιημένο και το πτυσσόμενο τμήμα φωτιστικού έχουν ασφαλίσει σταθερά μεταξύ τους στις θέσεις αναδίπλωσης και ξεδίπλωσης αντίστοιχα.

Η μπάρα φωτιστικού LED δύναται να περιστραφεί σε επτά στάδια για κάθε 45°. (90° προς τα δεξιά και 180° προς τα αριστερά)  
Το πτυσσόμενο τμήμα φωτιστικού δύναται να λυγίσει σε 0° ή 180°.

## Μεταλλικό γάντζο (Fig. 8)

Σηκώστε και σύρετε το μεταλλικό γάντζο στην κεντρική θέση κατά τη χρήση του μεταλλικού γάντζου.

## Ιμάντας (Fig. 9)

### ⚠ ΠΡΟΣΟΧΗ:

Μην χρησιμοποιείτε τον δακτύλιο και την οπή του ιμάντα για οποιονδήποτε άλλο σκοπό εκτός από την εγκατάσταση του ιμάντα. Διαφορετικά, μπορεί να προκληθεί προσωπικός τραυματισμός.

Εγκαταστήστε τον ιμάντα στη συσκευή όπως απεικονίζεται.

## Εγκατάσταση των κλιπ φορέα στο τηλεσκοπικό γάντζο (Fig. 10, Fig. 11)

### ⚠ ΠΡΟΣΟΧΗ:

Φροντίστε να μην τσιμπήσετε το δάχτυλο (τα δάχτυλα) κατά την εγκατάσταση των κλιπ του φορέα στο τηλεσκοπικό γάντζο.

Εγκαταστήστε τα κλιπ του φορέα στο τηλεσκοπικό γάντζο όπως απεικονίζεται.

### ΣΗΜΕΙΩΣΗ:

Βεβαιωθείτε ότι κάθε κλιπ φορέα ολισθαίνει στην οπή τοποθέτησης του κλιπ φορέα στην κεντρική μπάρα.

### ΣΗΜΕΙΩΣΗ:

Βεβαιωθείτε ότι τα δύο κλιπ του φορέα είναι προς την ίδια κατεύθυνση εγκατάστασης.

## Εγκατάσταση της συσκευής στον τηλεσκοπικό γάντζο ( Fig. 12)

Εγκαταστήστε τη συσκευή στον τηλεσκοπικό γάντζο με τα κλιπ φορέα, όπως απεικονίζεται.

### ΣΗΜΕΙΩΣΗ:

Βεβαιωθείτε ότι κάθε κλιπ φορέα κατέχει τη θέση κλιπ της συσκευής.

## Συναρμολόγηση τηλεσκοπικού γάντζου (Fig. 13)

### ⚠ ΠΡΟΣΟΧΗ:

Μην κρεμάτε τίποτα άλλο εκτός από τη συσκευή στον τηλεσκοπικό γάντζο. Διαφορετικά, ο γάντζος στήριξης θα καταστραφεί και ενδέχεται να προκληθεί τραυματισμός.

### ⚠ ΠΡΟΣΟΧΗ:

Βεβαιωθείτε ότι κάθε τμήμα είναι σταθεροποιημένο με ασφάλεια πριν από τη χρήση.

### ⚠ ΠΡΟΣΟΧΗ:

Λειτουργήστε κρατώντας την κεντρική μπάρα και τους γάντζους στήριξης κατά την συναρμολόγηση του τηλεσκοπικού γάντζου. Φροντίστε να μην τσιμπήσετε τα χέρια και τα δάχτυλά σας, επειδή η εσωτερική μπάρα επιστρέφει στην αρχική της θέση με τη δύναμη των ελατηρίων.

Κρατήστε ένα γάντζο στήριξης για να το συναρμολογήσετε στο σημείο που θέλετε.

Κρατήστε ένα άλλο γάντζο στήριξης ενώ επεκτείνετε το τηλεσκοπικό γάντζο για να το συναρμολογήσετε στην επιθυμητή θέση (άλλη πλευρά).

Θέστε σε λειτουργία τη συσκευή και ρυθμίστε τη γωνία φωτισμού της συσκευής ώστε να φωτίζει το επιθυμητό σημείο όπως απεικονίζεται.

### ΕΙΔΟΠΟΙΗΣΗ:

Εάν χρησιμοποιείτε τη βαριά μπαταρία, περιστρέψτε μόνο τη μπάρα φωτιστικού LED για τη ρύθμιση της γωνίας φωτισμού.

## ΣΥΝΤΗΡΗΣΗ

### ⚠ ΠΡΟΣΟΧΗ:

Πάντα να φρονίζετε ώστε να απενεργοποιείτε τη συσκευή και να αφαιρείτε το δοχείο μπαταρίας πριν από οποιαδήποτε απόπειρα επιθεώρησης ή συντήρησης.

### ΕΙΔΟΠΟΙΗΣΗ:

Μην χρησιμοποιείτε ποτέ βενζίνη, διαλυτικό, οινόπνευμα ή άλλες παρόμοιες ουσίες. Μπορεί να προκληθεί αποχρωματισμός ή παραμόρφωση, ή να δημιουργηθούν ρωγμές.

Για να διατηρήσετε τη **ΑΣΦΑΛΕΙΑ** και την **ΑΞΙΟΠΙΣΤΙΑ** του εργαλείου, οι επισκευές και οποιαδήποτε άλλη συντήρηση ή προσαρμογή θα πρέπει να πραγματοποιείται από τα Κέντρα Επισκευών του Εργοστασίου Makita ή από εξουσιοδοτημένους αντιπροσώπους, και πάντα με χρήση ανταλλακτικών Makita.

## Καθαρισμός

### ⚠ ΠΡΟΣΟΧΗ:

Ποτέ μην πλένετε τη συσκευή με νερό. Σκουπίζετε κατά διαστήματα το εξωτερικό της συσκευής (σώμα της συσκευής) με ένα πανί βρεγμένο σε σαπουνόνερο.

## ΠΡΟΑΙΡΕΤΙΚΑ ΕΞΑΡΤΗΜΑΤΑ

### ⚠ ΠΡΟΣΟΧΗ:

Τα παρακάτω εξαρτήματα ή παρελκόμενα προτείνονται για χρήση με τη συσκευή Makita που περιγράφεται σε αυτό το εγχειρίδιο. Η χρήση άλλων εξαρτημάτων ή παρελκόμενων μπορεί να επιφέρει κίνδυνο τραυματισμού. Χρησιμοποιείτε τα εξαρτήματα ή τα παρελκόμενα σύμφωνα με την προβλεπόμενη χρήση τους και μόνο.

Αν χρειαστείτε βοήθεια ή περισσότερες λεπτομέρειες σχετικά με αυτά τα εξαρτήματα, απευθυνθείτε στο τοπικό κέντρο σέρβις της Makita.

- Αυθεντική μπαταρία και φορτιστής Makita

### ΣΗΜΕΙΩΣΗ:

Ορισμένα στοιχεία του καταλόγου ενδέχεται να περιλαμβάνονται στη συσκευασία της συσκευής ως στάνταρ αξεσουάρ.

Ενδέχεται να διαφέρουν ανάλογα με τη χώρα.



## SVENSKA (Originalinstruktioner)

1	Teleskopisk krok	2	LED-ljusramp	3	Knapp	4	Batterikassett	5	Röd indikator	6	Indikatorlampa	7	Kontrollknapp	8	Fast ljusdel (LED-24 st.)
9	Vikbar ljusdel (LED-18 st.)	10	Strömbrytare	11	Lägesväljare	12	Indikator för låg batterinivå	13	Rörlig del	14	Metallkrok	15	Band	16	Ring
17	Bandhål	18	Positioneringshål för bärklämma	19	Huvudstång	20	Inre stång	21	Bärklämma	22	Hällarkrok	23	Position för klämma		

## SPECIFIKATIONER

Modell:		DML818
Ljus	Ljusflöde (H/M/L)	1 700 lm / 800 lm / 400 lm
	Mått (L × B × H) (utan batterikassett)	975 mm × 80 mm × 101 mm
	Märkspänning	D.C. 14,4 V / 18 V
	Nettovikt (utan batterikassett)	1,1 kg
Teleskopisk krok	Mått (L × B × H) (med klämmor)	1 181 mm × 99 mm × 259 mm
	Nettovikt (med klämmor)	1,5 kg
	Tillgänglig bredd *	1 130 mm - 1 900 mm

- Specifikationerna kan variera från land till land.
- På grund av vårt pågående program för forskning och utveckling kan dessa specifikationer komma att ändras utan föregående varning.
- \* Verklig tillgänglig bredd kan skilja sig beroende på plats och form.

## Tillämplig batterikassett och laddare

Batterikassett	14,4 V	BL1415N / BL1430B / BL1440 / BL1460B
	18 V	BL1815N / BL1820B / BL1830B / BL1840B / BL1850B / BL1860B
Laddare	DC18RC / DC18RD / DC18RE / DC18SD / DC18SE / DC18SF / DC18SH / DC18WC	

- Vissa av batterikassetterna ovan kanske inte finns tillgängliga, beroende på din region.

**⚠ VARNING: Använd endast de batterikassetter som listas ovan.** Användning av andra batterikassetter och laddare kan orsaka skada och/eller brand.

## Drifttid

Kompatibel batterikassett	Drifttid (ungefärlig)		
	Hela lampan (LED-42 st.)		
	Hög	Medium	Låg
BL1415N	1,0 timmar	2,2 timmar	4,0 timmar
BL1430B	1,6 timmar	3,5 timmar	7,0 timmar
BL1440	2,6 timmar	5,5 timmar	11 timmar
BL1460B	3,3 timmar	7,0 timmar	15 timmar
BL1815N	1,3 timmar	2,8 timmar	5,5 timmar
BL1820B	1,7 timmar	3,5 timmar	7,5 timmar
BL1830B	2,4 timmar	5,0 timmar	10 timmar
BL1840B	3,0 timmar	7,0 timmar	15 timmar
BL1850B	4,0 timmar	9,5 timmar	19 timmar
BL1860B	5,0 timmar	11 timmar	23 timmar

- Drifttiderna i tabellen ovan är en grov riktlinje. De kan skilja sig från faktiska drifttider.
- Batterikassetten kan skilja sig från land till land.
- Drifttider kan variera beroende på batterityp, laddningsstatus och användningsvillkor.

## Symboler

Av följande framgår de symboler som kan vara tillämpliga för utrustningen. Säkerställa att du förstår deras mening innan användning.



- Läs instruktionsboken.



- Endast för EU-länder På grund av närvaron av farliga komponenter i utrustningen kan avfall som är elektriskt och elektronisk utrustning, samt ackumulatörer och batterier ha en negativ inverkan på miljön och människors hälsa. Undvik att kasta elektriska och elektroniska apparater eller batterier tillsammans med hushållsavfall! I enlighet med de europeiska direktiven om avfall som är elektriskt och elektronisk utrustning, samt ackumulatörer, batterier, avfall som är ackumulatörer, batterier och deras genomförande i enlighet med nationella lagar, måste elektrisk utrustning, batterier och ackumulatörer förvaras separat och levereras till en separat uppsamlingsplats för kommunalt avfall, som fungerar enligt bestämmelserna om miljöskydd. Detta indikeras av symbolen för den överkorsade papperskorgen som är placerad på utrustningen.



- Optisk strålning (UV och IR).  
Minimera exponering av ögon eller hud.



- Stirra inte på lampan när den är i drift.



- Använd lämplig avskärmning eller ögonskydd.



- Var särskilt uppmärksam på!



- Endast för inomhusbruk

## VIKTIGA SÄKERHETSINSTRUKTIONER

### ⚠ VARNING:

Undvik att stirra på apparater när de är i drift för att minska risken för skador. Det kan orsaka allvarliga ögonskador.

### ⚠ VARNING:

När du använder en elektrisk apparat ska grundläggande försiktighetsåtgärder alltid följas för att minska risken för brand, elstöt och personskada inklusive följande:

## LÄS ALLA INSTRUKTIONER.

1. Håll noggrann uppsikt när apparaten används nära barn för att minska risken för skador.
2. Undvik att placera apparaten i vatten eller annan vätska för att minska risken för elektriska stötar. Undvik att placera eller förvara apparaten på platser där den kan falla eller dras ner i ett badkar eller handfat.
3. Apparaten får inte täckas med tyg eller kartong etc. Annars kan det orsaka en flamma.
4. Rör inte vid apparatens insida med pincett, metallverktyg etc.
5. Utsätt inte apparaten för regn eller snö. Tvätta den aldrig med vatten.
6. Rör inte vid apparatens insida med pincett, metallverktyg etc.
7. Låt bli att röra vid heta delar.
8. När enheten inte används ska den alltid stängas av och batterikassetten ska tas ut ur enheten.
9. Utsätt inte enheten för stötar genom att släppa den eller slå på den, etc.
10. Endast tillbehör som rekommenderas eller säljs av tillverkaren får användas.
11. Förvara produkten inomhus om den inte används. Håll produkten utom räckhåll för barn.
12. Säkerhetsinformation för bärbara armaturer med batterier.
  - Avfallshantering av batterier bör överensstämja med lokala bestämmelser som reglerar bortskaffande av farliga material.
  - Bränn inte batteriet.
13. Ytterligare information för armaturer.
  - Ljuskällan för denna armatur är ej utbytbar; när ljuskällan når sitt liv ska hela armaturen bytas ut.
14. Användning och skötsel av batteriverktyg.
  - **WARNING:** Läs alla varningar och alla säkerhetsanvisningar. Underlåtenhet att efterleva varningarna och anvisningarna kan leda till elstöt, brand och/eller svåra personskador.
  - Undvik oavsiktlig start. Säkerställ att strömbrytaren är i av-läge innan enheten ansluts till en batterienhet, plockas upp eller bärs. Att bära apparaten med fingret på strömbrytaren eller att koppla in elverktyg med strömbrytaren på ökar risken för olyckor.
  - Koppla ur batteripaketet från apparaten innan du gör några justeringar, byter tillbehör eller förvarar apparaten. Sådana säkerhetsåtgärder minskar risken för att apparaten startas av misstag.
  - Ladda endast apparaten med en laddare som specificerats av tillverkaren. En laddare som är lämplig för en typ av batteripaket kan utgöra en brandrisk när den används med ett annat batteripaket.
  - Använd endast apparater med speciellt avsedda batteripaket. Att använda andra batteripaket ökar risken för skada eller brand.
  - När batterienheten inte används ska den hållas borta från andra metallföremål som gem, mynt, nycklar, spikar, skruvar eller andra små metallföremål som kan skapa kontakt mellan terminalerna. En kortslutning av batteriterminalerna kan orsaka brännskador eller brand.
  - Vid missbruk av apparaten kan vätska spruta ur från batteriet, undvik kontakt. Om kontakt oavsiktligt uppstår, spola med vatten. Om vätskan kommer i kontakt med ögonen bör dessutom läkarhjälp sökas. Vätska som sprutar ur batteriet kan orsaka irritation eller brännskador.
  - Om ett batteripaket eller en apparat är skadad eller modifierad ska de inte användas. Skadade eller modifierade batterier kan bete sig oförutsägbart, vilket kan leda till brand, explosion eller risk för skada.
  - Utsätt inte ett batteripaket eller apparat för eld eller alltför höga temperaturer. Exponering för eld eller temperaturer över 130 °C (265 °F) kan orsaka explosion.
  - Följ alla laddningsinstruktioner och ladda inte batteripaketet eller apparaten utanför det temperaturintervall som specificerats i instruktionerna. Batteriet kan skadas och risken för brand öka om laddningen sker på ett otillbörligt sätt eller vid temperaturer utanför det specificerade intervallet.

- Se till att apparaten servas av en behörig reparatör som endast använder identiska reservdelar. Detta säkerställer att produkten förblir säker.
  - Försök inte modifiera eller reparera apparaten eller batteripaketet på annat sätt än vad som anges i instruktionerna.
15. Viktiga säkerhetsföreskrifter för batterikassetten.
- Läs alla instruktioner och varningsmarkeringar för (1) batteriladdare, (2) batteri och (3) produkten som använder batteriet innan batterikassetten används.
  - Ta inte isär och manipulera inte batterikassetten. Det kan leda till brand, överhettning eller explosion.
  - Stoppa genast driften om drifttiden förkortats märkbart. Det kan resultera i en risk för överhettning, möjliga brännskador och till och med en explosion.
  - Om elektrolyten får kontakt med ögonen ska de sköljas med rent vatten och läkarhjälp sökas omedelbart. Du kan förlora synen.
  - Kortslut inte batterikassetten.
  - Förvara och använd inte verktyget och batterikassetten på platser där temperaturen kan nå eller överstiga 50 °C (122 °F).
  - Bränn inte upp batterikassetten, även om den är allvarligt skadad eller helt utsliten. Batterikassetten kan explodera i en brand.
  - Spika, klipp, krossa, släng och släpp inte batterikassetten eller slå med ett hårt föremål på batterikassetten. Det kan leda till brand, överhettning eller explosion.
  - Använd inte ett skadat batteri.
  - Litiumjonbatterierna i kassetten omfattas av lagstiftningen om farligt gods. För kommersiella transporter, till exempel av tredjeparter och speditörer, måste de särskilda kraven på förpackning och märkning följas. En expert på farliga ämnen måste konsulteras vid förberedelse av artikeln som fraktas. Se även mer detaljerade nationella bestämmelser. Tejpa eller dölj öppna kontaktpunkter och packa batteriet på ett sådant sätt att det inte kan röra sig i förpackningen.
  - Använd endast batterierna med de produkter som specificerats av Makita. Att installera batterierna i produkter som inte uppfyller kraven kan resultera i en brand, överhettning, explosion eller läckande elektrolyter.
  - Om verktyget inte används under en lång period måste batteriet tas ur verktyget.
  - Under och efter användning kan batterikassetten ta upp värme som kan orsaka brännskador eller förbränning vid låg temperatur. Var uppmärksam på hanteringen av heta batterikassetter.
  - Rör inte vid verktygets pol direkt efter användning eftersom den kan bli tillräckligt varm för att orsaka brännskador.
  - Låt inte spån, damm eller jord fastna i batteripaketets poler, hål och spår. Det kan leda till dåliga prestanda eller till att verktyget eller batterikassetten förstörs.
  - Om inte verktyget fungerar nära högspänningsledning, använd inte batterikassetten i närheten av högspänningsledning. Det kan leda till funktionsfel eller till att verktyget eller batterikassetten förstörs.
  - Håll batteriet borta från barn.

## SPARA DESSA ANVISNINGAR.

**⚠ VARNING:** Använd endast äkta Makita-batterier. Användning av oäkta Makita-batterier eller batterier som har ändrats kan leda till att batteriet spricker och orsakar bränder, personskador och skador. Det upphäver också Makitas garanti för Makita-verktyget och -laddaren.

16. Tips för att bibehålla maximal livslängd på batteriet
- Ladda batterikassetten innan den är fullständigt urladdad. Stäng alltid av verktyget och ladda batterikassetten när du märker att verktyget har lägre effekt.
  - Ladda aldrig en fulladdad batterikasset. Överladdning förkortar batteriets livslängd.
  - Ladda batterikassetten vid en rumstemperatur på 10 °C – 40 °C (50 °F – 104 °F). Låt en upphettad batterikasset svalna innan den laddas.
  - När du inte använder batterikassetten, ta bort den från verktyget eller laddaren.
  - Ladda batterikassetten om du inte använder den under en längre period (mer än sex månader).

## FUNKTIONSBESKRIVNING

**⚠ VARNING:** Se alltid till att apparaten är avstängd och att batterikassetten tas bort innan du justerar eller kontrollerar funktionen på apparaten.

## Installation och borttagning av batterikasset (Fig. 2)

**⚠ VARNING:** Stäng alltid av apparaten innan batterikassetten sätts i eller tas ur.

**⚠ VARNING:** **Håll apparaten och batterikassetten i ett fast grepp vid installation och borttagning av batterikassetten.** Om du inte håller apparat och batterikasset i ett fast grepp kan de glida ur händerna och leda till skador på apparaten och batterikasset samt personskador.

Installera batterikassetten genom att rikta in fliken på batterikassetten med spåret i höljet och skjuta in den på plats. Skjut in den till den låses fast med ett litet klick. Om den röda indikatorn som visas på figuren är synlig betyder det att den är inte helt låst. Ta bort batterikassetten genom att skjuta den från apparaten medan du drar knappen på framsidan av patronen åt sidan.

**⚠ VARNING:** Installera alltid batterikassetten fullständigt till den röda indikatorn inte längre syns. Den kan annars oavsiktligt falla ur apparaten och skada dig eller någon i din närhet.

**⚠ VARNING:** Installera inte batterikassetten med våld. Om kassetten inte glider in lätt, sätts den inte in korrekt.

## Indikerar återstående batterikapacitet (Fig. 3)

Tryck på kontrollknappen på batterikassetten för att visa återstående batterikapacitet. Indikatorlamporna lyser ett par sekunder.

Indikatorlampor			Återstående kapacitet
Påslagen	Av	Blinkande	
■ ■ ■ ■			75 % till 100 %
■ ■ ■ □			50 % till 75 %
■ ■ □ □			25 % till 50 %
■ □ □ □			0 % till 25 %
▣ □ □ □			Ladda batteriet.
■ ■ □ □			Batteriet kan ha tekniska problem.
□ □ ■ ■			

### OBS:

Indikationen kan variera något från den reella kapaciteten beroende på användarvillkoren och den omgivande miljöns temperatur.

### OBS:

Den första (längst till vänster) indikatorlampan kommer att blinka när batterisäkerhetssystemet fungerar.

## Apparate / skyddssystem för batteri

Apparaten är utrustad med ett skyddssystem som automatiskt stänger av uteffekten för lång livslängd.

### Överurladdningsskydd

När batterikapaciteten inte är tillräckligt stannar apparaten automatiskt. Ta i så fall ur batteriet ur apparaten och ladda batteriet.

### Skydd mot andra orsaker

Skyddssystemet är också utformat för andra orsaker som kan förstöra apparaten och låter apparaten stanna automatiskt. Vidta följande steg för att rensa orsakerna när apparaten har stoppats tillfälligt eller stannat i drift.

1. Stäng av apparaten och slå sedan på den igen för att starta om den.
2. Ladda batteriet / batterierna eller byt ut det / dem mot uppladdade batteriet / batterierna.
3. Låt apparaten och batteriet / batterierna bli nedkylda.

Om ingen förbättring kan hittas genom att återställa skyddssystemet, kontakta ditt lokala Makita-servicecenter.

## Slå på ljuset och välj inställning på ljusstyrka (Fig. 4)

### ⚠ VARNING:

Titta inte in i ljuset eller se direkt på ljuskällan.

1. Strömbrytare: Ljustyrkans sekvens är: Högt läge(På) / Medelläge / Lågt läge / Av för varje tryck.
2. Lågesväljare: Upplyst sekvens är: Hela lampan / Fast ljusdel / Vikbar ljusdel för varje tryck vid påslagen strömbrytare.

### OBS:

När apparaten slås på kommer den att ha samma ljusläge som senaste gången du använde den.

## Indikator för låg batterinivå (Fig. 5)

LED-lamporna slocknar vid låg batterinivå, utom en LED-lampa som visas på bilden. Apparaten stängs av automatiskt efter cirka fem till tio minuter.

## DRIFT

### ⚠ VARNING:

När du ställer apparaten i upprätt läge ska du vrida på LED-ljusrampen och fälla ner den vikbara ljusdelen för att stabilisera apparatens balans, se fig.4. Om detta inte görs kan apparaten välta och personsador uppstå.

## LED-ljusrampens vinkel (Fig. 6, Fig. 7)

### ⚠ VARNING:

Se till att inga fingrar fastnar när ljusets vinklar justeras.

### ⚠ VARNING:

Var noga med att den fasta och den vikbara ljusdelen är säkert låsta i respektive upp- och nedfällningsläge.

LED-ljusrampen kan vridas i sju steg vid varje 45°. (90° åt höger och 180° åt vänster)  
Den vikbara ljusdelen har en böjbarhet på 0° eller 180°.

## Metallkrok (Fig. 8)

Lyft och skjut metallkroken till mittläget vid användning av metallkroken.

## Bälte (Fig. 9)

### ⚠ VARNING:

Ringen och bandhålet får inte användas för något annat ändamål än att montera bandet. Annars kan personsador inträffa.

Montera bandet på apparaten som visas på bilden.

## Montering av bärklämmor i teleskopisk krok (Fig. 10, Fig. 11)

### **WARNING:**

Akta så att du inte klämmer fingret/fingrarna när du monterar bärklämmorna i teleskopkroken.

Montera bärklämmorna i teleskopkroken som visas på bilden.

### **OBS:**

Se till att varje bärklämma skjuts in positioneringshålet för bärklämma på huvudstången.

### **OBS:**

Se till att de två bärklämmorna monteras i samma riktning.

## Montering av apparat på teleskopisk krok (Fig. 12)

Montera utrustningen på teleskopkroken med hjälp av bärklämmorna som visas på bilden.

### **OBS:**

Se till att varje bärklämma sitter fast på rätt position i apparaten.

## Montering av teleskopisk krok (Fig. 13)

### **WARNING:**

Det är förbjudet att hänga något annat än apparaten på teleskopkroken. Annars kan hållarkrokarna skadas och personskador kan förekomma.

### **WARNING:**

Innan användning, se till att alla delar är ordentligt fastsatta.

### **WARNING:**

Använd den genom att hålla i huvudstången och hållarkrokarna vid montering av teleskopkroken. Se upp så att du inte klämmer händer och fingrar eftersom den inre stången återställs till sitt ursprungliga läge med fjäderkraften.

Montera den på önskad plats genom att hålla i en hållarkrok.

Montera en annan hållarkrok på önskad plats (andra sidan) genom att hålla i en annan hållarkrok och dra ut teleskopkroken.

Slå på apparaten och justera dess belysningsvinkel så att önskad plats belyses som visas på bilden.

### **OBS:**

Vid användning av det tunga batteriet ska du endast rotera LED-ljusrampen för att justera belysningsvinkeln.

## UNDERHÅLL

### **WARNING:**

Se alltid till att apparaten är avstängd och att batterikasetten har tagits bort innan du försöker utföra inspektion eller underhåll.

### **OBS:**

Använd aldrig bensin, lösningsmedel, alkohol eller liknande. Det kan resultera i missfärgning, deformation eller sprickor.

För att upprätthålla produktens SÄKERHET och PÅLITLIGHET bör reparationer, och allt annat underhåll eller justering utföras av auktoriserade Makita-servicecenter eller fabrikk-servicecenter, alltid med Makita-reservdelar.

## Rengöring

### **WARNING:**

Tvätta aldrig apparaten med vatten. Med jämna mellanrum ska du torka av apparatens utsida (apparatens stomme) med en trasa fuktad med tvålatten.

## VALFRIA TILLBEHÖR

### **WARNING:**

Dessa tillbehör eller fästen rekommenderas för användning med den Makita-apparat som specificeras i denna instruktionshandbok. Att använda andra tillbehör eller fästen ökar risken för personskada. Använd endast tillbehör eller fästen för dess angivna syfte.

Fråga ditt lokala Makita servicecenter om du behöver assistans för mer information om dessa tillbehör.

- Makita äkta batteri och laddare

### **OBS:**

Vissa artiklar på listan kan medfölja apparatens förpackning som standardtillbehör. De kan variera från land till land.

## NORSK (Originale instruksjoner)

1	Teleskopisk krok	2	LED lysrampe	3	Knapp	4	Batteripakke	5	Rød indikator	6	Indikatorlamper	7	Kontrollknapp	8	Fast del av lyset (LED-24 stk)
9	Sammenleggbare del av lys(LED-18 stk)	10	Bryter	11	Modusvelger	12	Indikator på lavt batteri	13	Flyttbar del	14	Metallkrok	15	Stropp	16	Ring
17	Stroppfeste	18	Posisjoneringshull for bæreklipp	19	Hovede bar	20	Indre bar	21	Bæreklipp	22	Holder krok	23	Klippet stilling		

## SPESIFIKASJONER

Modell:		DML818
Lys	Lysfluks (H/M/L)	1 700 lm /800 lm /400 lm
	Dimensjoner (L × B × H) (uten batterikassett)	975 mm × 80 mm × 101 mm
	Merkespenning	D.C. 14,4 V / 18 V
	Nettovekt (uten batteripakke)	1,1 kg
Teleskopisk krok	Dimensjoner (L × B × H) (med klipper)	1 181 mm × 99 mm × 259 mm
	Nettovekt (med klipper)	1,5 kg
	Tilgjengelig bredde *	1 130 mm - 1 900 mm

- Spesifikasjoner kan variere fra land til land.
- Som en følge av videreutviklingsprogrammet for forskning og utvikling, kan spesifikasjonene her endres uten forvarsel.
- \* Faktisk tilgjengelig bredde kan variere avhengig av plassering og form.

## Gjeldende batteripakke og lader

Batteripakke	14,4 V	BL1415N / BL1430B / BL1440 / BL1460B
	18 V	BL1815N / BL1820B / BL1830B / BL1840B / BL1850B / BL1860B
Lader	DC18RC / DC18RD / DC18RE / DC18SD / DC18SE / DC18SF / DC18SH / DC18WC	

- Enkelte batterier listet ovenfor kan være utilgjengelige avhengig av hvilket område du er i.

**⚠ ADVARSEL: Bare bruk batterier i listen ovenfor.** Bruk av andre batterier kan føre til personskade og/eller brann.

## Driftstid

Aktuelt batteri	Driftstid (omtrentlig)		
	Fullstendig lys (LED-42 stk)		
	Høy	Medium	Lav
BL1415N	1,0 timer	2,2 timer	4,0 timer
BL1430B	1,6 timer	3,5 timer	7,0 timer
BL1440	2,6 timer	5,5 timer	11 timer
BL1460B	3,3 timer	7,0 timer	15 timer
BL1815N	1,3 timer	2,8 timer	5,5 timer
BL1820B	1,7 timer	3,5 timer	7,5 timer
BL1830B	2,4 timer	5,0 timer	10 timer
BL1840B	3,0 timer	7,0 timer	15 timer
BL1850B	4,0 timer	9,5 timer	19 timer
BL1860B	5,0 timer	11 timer	23 timer

- Driftstidene som er angitt i tabellen ovenfor er ment som en omtrentlig retningslinje. De kan avvike fra de faktiske driftstidene.
- Batteripakken kan variere fra land til land.
- Driftstid kan variere avhengig av batteritype, ladestatus og brukstilstand.

## Symboler

Følgende vises det symbolene som kan brukes for utstyret. Forsikre deg om at du forstår deres betydning før bruk.



- Les bruksanvisningen.



- Kun for EU landene: På grunn av at det er farlige komponenter i utstyret kan elektrisk og elektronisk avfall, akkumulatører og batterier påvirke miljø og menneskers helse negativt. Ikke kast elektriske og elektroniske apparater eller batterier sammen med husholdningsavfall! I henhold til EU-direktivet om elektrisk og elektronisk avfall og akkumulatører og batterier og ubrukte akkumulatører og batterier, samt tilpasning til nasjonal lovgivning, bør elektrisk avfall, batterier og akkumulatører lagres separat og leveres til et eget innsamlingssted for kommunalt avfall, som opererer etter forskrift om miljøvern. Dette er merket med et symbol med overkrysset avfallsbeholder som er plassert på utstyret.



- Optisk stråling (UV og IR).  
Minimer eksponering til øyne og hud.



- Ikke stirr på tent lampe.



- Bruk nødvendig vern eller beskyttelse for øynene.



- Vis særlig forsiktighet og oppmerksomhet!



- Kun for innendørs bruk

## VIKTIGE SIKKERHETSINSTRUKSER

### ⚠ ADVARSEL:

For å redusere faren for å bli skadet, ikke stirr på operasjonsinstrument. Kan ta alvorlig skade på øyet.

### ⚠ FORSIKTIG:

Ved bruk av apparater bør alltid grunnleggende sikkerhetstiltak følges for å redusere risiko for brann, elektrisk støt og personskade, inkludert følgende:

## LES ALLE INSTRUKSJONER.

1. For å redusere faren for skade er det nødvendig med nøye tilsyn når apparatet brukes i nærheten av barn.
2. For å redusere faren for strømstøt, ikke legg apparatet i vann eller i andre typer av væsker. Ikke plasser eller oppbevar apparatet der det er farer med apparatet for å falle i eller bli dratt ned i et badekar eller en vask.
3. Ikke dekk til apparatet med klær eller kartong osv. Ellers kan det forårsake flamme.
4. Ikke berør innsiden av apparatet med pinsetter, metallverktøy osv.
5. Ikke utsett apparatet for regn eller snø. Ikke vask det i vann.
6. Ikke berør innsiden av apparatet med pinsetter, metallverktøy osv.
7. Ikke rør varme deler.
8. Slå alltid av og fjern batteriet fra apparatet når det ikke er i bruk.
9. Ikke utsett apparatet for støt eller slag ved å miste det i gulvet, osv.
10. Bruk kun tilbehører som er anbefalt eller solgt av produsenter.
11. Oppbevar produktet innendørs når det ikke er i bruk. Oppbevares utilgjengelig for barn.
12. Sikkerhetsinformasjon for bærbare lamper med batterier.
  - Avhending av batterier skal gjøres i samsvar med lokale forskrifter for avhending av farlige stoffer.
  - Ikke brenn batteriet.
13. Ytterligere informasjon for lamper.
  - Lyskilden til denne arbeidslampen kan ikke byttes ut; hvis lyskilden når sin levetid, skal hele arbeidslampen byttes ut.
14. Bruk og vedlikehold av det batteridrevne verktøyet.
  - **ADVARSEL:** Les alle sikkerhetsadvarsler og instruksjoner. Unnlattelse av å følge advarslene og instruksjonene kan føre til elektrisk støt, brann og/eller alvorlige personskader.
  - Unngå utilsiktet start. Sørg for at bryteren er i avslått posisjon før du kobler til batteripakken, løfter eller bærer apparatet. Å bære apparatet med fingeren på bryteren eller tilføre strøm til apparatet med bryteren på, tilrettelegger for ulykker.
  - Koble batteripakken fra produktet før du utfører noen justeringer, endrer tilbehør eller oppbevarer produktet. Slike forebyggende tiltak reduserer risikoen for at produktet starter utilsiktet.
  - Skal bare lades med en lader som er spesifisert av produsenten. En lader som er egnet for én type batteripakke kan føre til brann hvis den brukes med en annen batteripakke.
  - Bare bruk produktet med egnede batteripakker. Bruk med en annen batteripakke kan føre til fare for personskade eller brann.
  - Når batteripakken ikke er i bruk skal den holdes unna andre metallgjenstander som binderser, mynter, nøkler, spiker, skruer eller andre små metallgjenstander, som kan skape en kobling mellom tilkoplingspunkter. Kortslutning av batteriklemmene kan føre til brannskade eller brann.
  - Ved skade kan det lekke væske fra batteriet – unngå kontakt. Skyll med vann ved kontakt. Oppsøk medisinsk hjelp hvis man får væsken i øynene. Væske fra batteriet kan forårsake irritasjon eller brannskader.
  - Ikke bruk batteripakke eller produkt som er skadet eller endret. Skadde eller endrede batterier kan oppføre seg uventet, og resultere i brann, eksplosjon eller skape fare for personskade.
  - Ikke utsett batteripakken eller produktet for ild eller svært høye temperaturer. Eksponering for brann eller temperaturer over 130 °C (265 °F) kan forårsake eksplosjon.
  - Følg ladeinstruksjonene og ikke lad produktet eller batteripakken i et miljø utenfor temperaturområdet som er spesifisert i instruksjonene. Feilaktig lading eller lading under forhold som er utenfor temperaturområdet kan skade batteriet eller øke brannfaren.
  - Service utføres av en kvalifisert person som bare bruker originale erstatningsdeler. Dette vil sørge for at produktets sikkerhet opprettholdes.
  - Ikke modifier eller gjør forsøk på reparasjon av apparatet eller batteripakken på annen måte enn indikert i instruksjonene for bruk og vedlikehold.
15. Viktige sikkerhetsinstruksjoner for batteriet.

- Før du bruker batteriet må du lese alle instruksjoner og forsiktighetsmerkinger på (1) batteriladeren, (2) batteriet og (3) produktet som bruker batteriet.
- Ikke demonter eller foreta endringer på batteripakken. Det kan føre til brann, kraftig varme eller eksplosjon.
- Hvis driftstiden blir betraktelig kortere, må du stoppe bruken umiddelbart. Det kan føre til risiko for overoppheting, mulige brannskader og eksplosjon.
- Hvis elektrolytt kommer i øyene, skyl med rent vann og oppsøk medisinsk hjelp. Det kan føre til synstap.
- Ikke kortslutt batteripakken.
- Ikke oppbevar eller bruk verktøyet eller batteripakken på steder der temperaturen kan nå eller overskride 50 °C (122 °F).
- Ikke ødelegg batteriet, selv om det allerede er skadet eller helt utslitt. Batteriet kan eksplodere i en brann.
- Ikke bank spikre i, klipp, knus, kast, slipp batteripakken eller slå mot en hard gjenstand. Slik oppførsel kan føre til brann, overdreven varme eller eksplosjon.
- Ikke bruk et skadet batteri.
- De medfølgende litiumionbatteriene er underlagt kravene for farlig gods. For kommersiell transport f.eks. utført av en tredjepart eller speditører, må spesielle krav for pakking og merking følges. Ved forberedelse før forsendelse, må en ekspert på farlig materiale konsulteres. Vær også oppmerksom på strengere, nasjonale bestemmelser. Teip over eller dekk til åpne kontakter, og pakk batteriet på en slik måte at det ikke kan bevege seg rundt i emballasjen.
- Bare bruk batteriene med produktene som er spesifisert av Makita. Installasjon av batteriene i ikke-kompatible produkter kan føre til brann, høy varme, eksplosjon eller elektrolyttlekkasje.
- Batteriet må fjernes fra apparatet hvis det ikke skal brukes over en lengre periode.
- Batteripakken kan være varm under og etter bruk, noe som kan forårsake forbrenninger eller brannskader ved lave temperaturer. Vær forsiktig ved håndtering av varme batteripakker.
- Ikke berør tilkoblingspunktet på verktøyet umiddelbart etter bruk, da det kan bli varmt nok til å forårsake brannskader.
- Påse at flis, støv eller jord ikke komme inn i tilkoblingspunkt, hull og spor på batteripakken. Dette kan føre til dårlig ytelse eller skade på verktøyet eller batteripakken.
- Batteripakken må kun brukes i nærheten av høyspenningsledninger hvis verktøyet er godkjent for bruk i nærheten av høyspenningsledninger. Dette kan føre til funksjonsfeil eller skade på verktøyet eller batteripakken.
- Hold batteriet unna barn.

## OPPBEVAR DISSE INSTRUKSJONENE.

**⚠ FORSIKTIG:** Bruk bare originale Makita-batterier. Bruk av andre batterier enn originale Makita-batterier, eller batterier som er endret, kan føre til at batteriet eksploderer og forårsaker brann, personskader og materielle skader. Det vil også ugyldiggjøre Makitas garanti for verktøy og lader fra Makita.

16. Tips for å forlenge batteriets levetid.
- Lad batteriet før det lades helt ut. Stopp alltid verktøyet og lad batteriet når du merker forringet styrke.
  - Ikke lad et fulladet batteri. Overlading forkorter batteriets levetid.
  - Bare lad batteriet i romtemperatur på 10 °C–40 °C (50 °F–104 °F). La et varmt batteri kjøle seg ned før du lader det.
  - Når du ikke bruker batteripakken, må du fjerne den fra verktøyet eller laderen.
  - Lad batteriet hvis du ikke bruker det over en lengre periode (mer enn seks måneder).

## FUNKSJONELL BESKRIVELSE

**⚠ FORSIKTIG:** Kontroller alltid at apparatet er avslått, frakoblet og batteriet er fjernet før justerer eller kontrollerer apparatets funksjoner.

## Installere eller fjerne batteripakken (Fig. 2)

**⚠ FORSIKTIG:** Alltid slå av produktet før du installerer eller fjerner batterikassetten.

**⚠ FORSIKTIG:** **Hold produktet og batteriet godt fast når du installerer eller fjerner batteriet.** Hvis du ikke holder produktet og batteriet godt fast kan du miste dem, og det kan føre til skade på produktet og batteriet, eller føre til personskade.

For å installere batteripakken, juster fliken på batteripakken med sporet i huset og skyv den på plass. Sett det helt inn til det låses på plass med et lite klikk. Hvis et rødt indikatorlys vises som vist på bildet, er det ikke helt låst. For å fjerne batteripakken, skyv den fra apparatet mens du skyver knappen foran på pakken.

**⚠ FORSIKTIG:** Installer batteriet helt til den røde indikatoren ikke lenger er synlig. Hvis ikke kan det falle utilsiktet ut av apparatet, og forårsake skade på deg eller noen rundt deg.

**⚠ FORSIKTIG:** Ikke installer batteriet med tvang. Hvis boksen ikke sklir lett inn, er den ikke satt inn riktig.



## Indikere den gjenværende batterikapasiteten (Fig. 3)

Trykk på kontrollknappen på batteriet for å kontrollere gjenværende batterikapasitet. Indikatorlampene lyser i noen få sekunder.

Indikatorlamper			Gjenværende kapasitet
Tent	Av	Blinker	
■	□	▬	
■ ■ ■ ■			75 % til 100 %
■ ■ ■ □			50 % til 75 %
■ ■ □ □			25 % til 50 %
■ □ □ □			0 % til 25 %
▬ □ □ □			Lad batteriet.
■ ■ □ □			Batteriet kan ha en feilfunksjon.
□ □ ■ ■			

### MERK:

Avhengig av bruksforhold og omgivelsestemperatur, kan indikatoren avvike noe fra faktisk kapasitet.

### MERK:

Den første indikatorlampen (ytterst til venstre) blinker når batteriets beskyttelsessystem fungerer.

## Maskin- / batteribeskyttelsessystem

Verktøyet er utstyrt med et beskyttelsessystem som automatisk slår av strømmen for å sikre lang brukstid.

### Beskyttelse mot total utladning

Når batterikapasiteten er utilstrekkelig, stopper apparatet automatisk. I så tilfelle må du fjerne batteripakken fra apparatet og lade batteripakken.

### Beskyttelse mot andre årsaker.

Beskyttelsessystemet er også designet for andre årsaker som kan skade apparatet og lar apparatet slå av automatisk. Ta alle trinnene nedenfor for å fjerne årsakene når apparatet har blitt stoppet midlertidig eller stoppet under drift.

1. Slå av apparatet og deretter slå det på igjen.
2. Lad batteri(er) eller bytt det/dem ut med batteri(er) som er fullt ladet.
3. La apparatet og batteri(er) avkjøles.

Hvis det ikke er noe forbedring med å slå på igjen, kan du ta kontakt med ditt lokale Makita-servicesenter.

## Tenning av lyset og valg av lysstyrke (Fig. 4)

### ⚠ FORSIKTIG:

Ikke se direkte i lyset eller lyskilden.

1. Bryter: Sekvens for lysstyrke er: Høy modus (På) / Middel modus / Lav modus / Av for hver knapp.
2. Modusvelger: Sekvensen for lyset er: Fullstendig Lys / Fast lysdel / Sammenleggbare lysdel for hver knapp når bryteren er på.

### MERK:

Når du slår på apparatet, vil det slås på samme lysmodus som det du sist brukte.

## Indikator for lavt batteri (Fig. 5)

Når batteriet er lavt, slukker LED-lysene bortsett fra det eneste LED-lyset som vist. Cirka fem til ti minutter etter det, slår apparatet seg automatisk av.

## DRIFT

### ⚠ FORSIKTIG:

Roter LED-lysrampe og folde sammen den sammenleggbare lysdelen for å stabilisere apparatets balanse når du setter apparatet i en oppreist stilling som det vises i fig.4. Ellers kan apparatet velte og det kan oppstå skade til menneske.

## LED-lysrampesvinkel (Fig. 6, Fig. 7)

### ⚠ FORSIKTIG:

Pass på at du ikke klemmer fingre når du justerer vinkelen på lampen.

### ⚠ FORSIKTIG:

Sørg for at begge fast og sammenleggbare lysdeler låses godt sammen i sammenlagt og utfoldt stilling respektivt.

LED-lysrampw kan roteres i syv trinn for hvert 45°. (90° til høyre og 180° til venstre)  
Den sammenleggbare lysdelen kan bøyes til 0° eller 180°.

## Metallkrok (Fig. 8)

Hev og skyv metallkroken til midtposisjon når den er i bruk.

## Stropp (Fig. 9)

### ⚠ FORSIKTIG:

Ikke bruk ringen og strophullet til andre formål enn å installere stroppen. Ellers kan det oppstå skade på mennesker.

Installer stroppen på apparatet som vist.

## Installing av bæreklippene i teleskopisk krok (Fig. 10, Fig. 11)

### ⚠ FORSIKTIG:

Pass på at du ikke klyper finger(er) når du installerer bæreklippene i teleskopisk krok.

Installer bæreklippene i teleskopisk krok som vist.

### MERK:

Sørg for at hver bæreklipp skyves til posisjoneringshullet for bæreklipset på hovedstangen.

### MERK:

Sørg for at de to bæreklippene er installert i en samme retning.

## Installer apparatet på teleskopisk krok (Fig. 12)

Installer apparatet på den teleskopiske kroken ved hjelp av bæreklippene som vist.

### MERK:

Sørg for at hver bæreklipp holder den klippede posisjonen til apparatet.

## Montering av teleskopisk krok (Fig. 13)

### ⚠ FORSIKTIG:

Ikke heng noe annet enn apparatet på teleskopisk krok. Ellers kan teleskopisk krok bli skadet og det kan oppstå skadet til menneske.

### ⚠ FORSIKTIG:

Sørg for at hver del er befestet godt før bruk.

### ⚠ FORSIKTIG:

Operer ved å holde i hovedstang og holder kroker når du monterer teleskopisk krok. Pass på at du ikke klyper hendene og fingrene dine fordi den indre stangen returneres til sin opprinnelige posisjon av kraften av fjærene.

Ha tak i en holder krok for å installere den der du vil.

Hold en annen holder krok når du forlenger teleskopisk krok for å montere den på ditt ønskete sted (en annen side).

Slå på apparatet og juster apparatets vinkel til opplysningfor å lyse opp ønsket plass som vist.

### MERKNAD:

Hvis du bruker det tunge batteriet, snu kun LED-lysrampe for justering av belysningsvinkelen.

## VEDLIKEHOLD

### ⚠ FORSIKTIG:

Forsikre deg alltid om at apparatet er slått av og at batteripakken er fjernet, før du utfører inspeksjoner eller vedlikehold.

### MERKNAD:

Bruk aldri bensin, tynnere, alkohol eller liknende. Misfarging, deformasjon eller sprekker kan bli resultatet.

For å opprettholde PRODUKTSIKKERHET og PÅLITELIGHET, skal reparasjoner, annet vedlikehold eller andre justeringer utføres av autoriserte Makita-autoriserte fabrikker eller servicesentre, og kun ved bruk av originale reservedeler fra Makita.

## Rengjøring

### ⚠ FORSIKTIG:

Vask aldri apparatet i vann. Tørk av og til utsiden av apparatet (apparatets kropp) med en klut fuktet i såpevann.

## TILLEGGSUTSTYR

### ⚠ FORSIKTIG:

Tilbehør som anbefales til bruk sammen med Makita-produktet er oppgitt i denne bruksanvisningen. Bruk av annet tilbehør kan føre til fare for personskade. Bare bruk tilbehør til tiltenkt formål.

Hvis du trenger hjelp eller mer informasjon om tilbehør, kan du kontakte ditt lokale Makita-servicesenter.

- Ekte Makita-batteri og -lader

### MERK:

Noen elementer på listen kan være inkludert i pakken av apparatet som standard tilleggsutstyr. Dette kan variere fra land til land.

## SUOMI (Aikuperäiset ohjeet)

1	Teleskooppikoukku	2	LED-valopalkki	3	Painike	4	Akku	5	Punainen merkkivalo	6	Merkkivalo	7	Tarkistuspainike	8	Kiinteä valon osa (LED-24 kpl)
9	Taitettava valon osa (LED-18 kpl)	10	Kytkin	11	Tilan valitsin	12	Akun puutteen ilmaisin	13	Liikkuva osa	14	Metallikoukku	15	Hihna	16	Rengas
17	Hihnan reikä	18	Kantajan paikannusreikä	19	Pääpalkki	20	Sisäpalkki	21	Kantajan klippi	22	Pitimen koukku	23	Leikattu sijainti		

## TEKNISET TIEDOT

Malli:		DML818
Valaisin	Valovirta(H/M/L)	1 700 lm /800 lm /400 lm
	Mitat(L × W × H) (ilman akkua)	975 mm × 80 mm × 101 mm
	Nimellisjännite	D.C. 14,4 V / 18 V
	Nettopaino (ilman akkua)	1,1 kg
Teleskooppikoukku	Mitat(L × W × H) (klipin kanssa)	1 181 mm × 99 mm × 259 mm
	Nettopaino (klipin kanssa)	1,5 kg
	käytettävissä oleva leveys *	1 130 mm - 1 900 mm

- Tekniset tiedot saattavat vaihdella eri maiden välillä.
- Jatkuvan tutkimus- ja kehitysohjelmamme myötä tässä mainitut tekniset tiedot voivat muuttua ilman erillistä ilmoitusta.
- \* Todellinen käytettävissä oleva leveys voi vaihdella sijainnin ja muodon mukaan.

## Laitteeseen soveltuva akku ja laturi

Akku	14,4 V	BL1415N / BL1430B / BL1440 / BL1460B
	18 V	BL1815N / BL1820B / BL1830B / BL1840B / BL1850B / BL1860B
Laturi	DC18RC / DC18RD / DC18RE / DC18SD / DC18SE / DC18SF / DC18SH / DC18WC	

- Jotkin yllä luetelluista akuista eivät välttämättä ole saatavilla asuinalueellasi.

**VAROITUS:** Käytä vain yllä lueteltuja akkuja. Muiden akkujen käyttö saattaa aiheuttaa vammoja ja/tai tulipalon.

## Käyttöaika

Laitteeseen soveltuva akku	Käyttöaika (arvioitu)		
	Koko valaisin (LED-42 kpl)		
	Korkea	Mediumi	Matala
BL1415N	1,0 tuntia	2,2 tuntia	4,0 tuntia
BL1430B	1,6 tuntia	3,5 tuntia	7,0 tuntia
BL1440	2,6 tuntia	5,5 tuntia	11 tuntia
BL1460B	3,3 tuntia	7,0 tuntia	15 tuntia
BL1815N	1,3 tuntia	2,8 tuntia	5,5 tuntia
BL1820B	1,7 tuntia	3,5 tuntia	7,5 tuntia
BL1830B	2,4 tuntia	5,0 tuntia	10 tuntia
BL1840B	3,0 tuntia	7,0 tuntia	15 tuntia
BL1850B	4,0 tuntia	9,5 tuntia	19 tuntia
BL1860B	5,0 tuntia	11 tuntia	23 tuntia

- Yllä olevan taulukon käyttöajat ovat viitteellisiä. Todelliset käyttöajat saattavat vaihdella.
- Akku saattaa vaihdella maakohtaisesti.
- Käyttöajat voivat vaihdella akun tyyppin, varauksen ja käyttöolosuhteiden mukaan.

## Symbolit

Seuraavassa on symbolit, joita voidaan käyttää laitteissa. Varmista, että ymmärrät symbolien merkitykset ennen laitteen käyttöä.



- Lue käyttöohjeet.



- Vain EU-maiden osalta, koska laitteessa on vaarallisia komponentteja, jätesähkö- ja elektroniikkalaitteita, höyryakku ja paristo voivat vaikuttaa kielteisesti ympäristöön ja ihmisten terveyteen. Älä hävitä sähkö- ja elektroniikkalaitteita tai paristoja kotilajusjätteen kanssa! Sähkö- ja elektroniikkalaiteromua sekä akkuja, paristoja, ja höyryakkujen ja paristojen jätettä koskevan Euroopan direktiivin mukaisesti, sekä niiden mukauttaminen kansalliseen lainsäädäntöön, sähkölaitteiden jätteet, paristoja ja höyryakkuja olisi varastoitava erikseen ja lähetettävä erilliseen yhdyskuntajätteen keräyspisteeseen, joka toimii ympäristönsuojelua koskevien säännösten mukaisesti. Tämä on merkitty laitteelle sijoitetun pyörillä vedetyn roskakorin tunnuksella.



- Optinen säteily (ultravioletti ja infrapuna). Vältä silmien ja ihon altistumista.



- Älä katso suoraan käytössä olevaan valoon.



- Käytä sopivia silmäsuojia.



- Ole erityisen varovainen!



- Ainoastaan sisäkäyttöön

## TÄRKEÄT TURVALLISUUSOHJEET

### VAROITUS:

Vähentääksesi loukkaantumisriskiä, älä tuijota pitkään aikaan käytössä olevia laitteita. Muussa tapauksessa se voi aiheuttaa vakavia silmävaurioita.

### HUOMIO:

Kun käytät laitteita, noudata aina tavallisia turvallisuusohjeita. Turvallisuusohjeiden noudattaminen vähentää tulipalon, sähköiskun ja henkilövamman riskiä. Esimerkiksi:

## LUE KAIKKI OHJEET.

1. Vähentääksesi loukkaantumisriskiä tarvitaan tarkkaa valvontaa käytettäessä laitteita lasten lähellä.
2. Sähköiskun riskin vähentämiseksi älä aseta laitetta veteen tai muihin nesteisiin. Älä aseta tai säilytä laitteita alueille, joihin ne voivat pudota tai niitä vedetään kylpyammeeseen tai pesualtaaseen.
3. Älä peitä laitetta kankaalla tai pahvilaatikolla, sillä se voi aiheuttaa tulipalon.
4. Älä kosketa laitteen sisäosia pinseteillä tai muilla metallityökaluilla.

5. Älä altista laitetta sateelle tai lumelle. Älä pese laitetta vedellä.
6. Älä kosketa laitteen sisäosia pinseteillä tai muilla metallityökaluilla.
7. Älä koske kuumiin osiin.
8. Kun laitetta ei käytetä, sammuta laite ja poista laitteen akku.
9. Älä altista laitetta iskuille esim. pudottamalla se tai lyömällä sitä.
10. Ainoastaan valmistajan suosittelemat tai myymät lisävarusteiden käyttö on sallittua.
11. Kun tuotetta ei käytetä, säilytä tuote sisätiloissa. Säilytä se lasten ulottumattomissa.
12. Kannettavia, akuilla varustettuja valaisimia koskevia turvallisuustietoja.
  - Akku on hävitettävä noudattamalla paikallisia vaarallisten materiaalien hävittämistä koskevia säännöksiä.
  - Älä polta akkua.
13. Valaisimia koskevia lisätietoja.
  - Tämän valaisimen valonlähde ei ole vaihdettavissa; kun valonlähde saavuttaa sen käyttöiän loppunsa, koko valaisin on vaihdettava.
14. Akkutyökalun käyttö ja ylläpito.
  - VAROITUS: Lue kaikki turvallisuusvaroitukset ja -ohjeet. Varoitusten ja ohjeiden noudattamatta jättäminen saattaa aiheuttaa sähköiskun, tulipalon ja/ tai vakavan henkilökohtaisen vamman.
  - Estä vahingossa käynnistyminen. Varmista, että kytkin on Off-asennossa ennen kuin liität akun, nostat laitteen tai kannat sitä. Laitteen kantaminen niin, että sormi on kytkimellä, tai virran kytkeminen laitteisiin, joissa kytkin on päällä, voi aiheuttaa onnettomuuksia.
  - Irrota akku laitteesta ennen kuin teet mitään muutoksia, vaihdat apuvälineitä tai varastoit laitteen. Nämä ennakoivat turvallisuustoimenpiteet vähentävät laitteen vahingossa käynnistämisen riskiä.
  - Lataa vain valmistajan määrittelemällä laturilla. Tietyille akulle tarkoitetun laturin käyttö toisenlaisen akun kanssa saattaa aiheuttaa tulipaloriskin.
  - Käytä laitteita vain niille erikseen määriteltyjen akkujen kanssa. Muunlaisten akkujen käyttö saattaa aiheuttaa vamma- tai tulipaloriskin.
  - Kun akku ei ole käytössä, pidä se poissa metalliesineiden, kuten paperiliitinten, kolikoiden, avainten, naulojen, ruuvien tai muiden pienten metalliesineiden, läheltä, jotta ne eivät voi liittää yhtä napaa toiseen. Akun napojen oikosulku saattaa aiheuttaa palovammoja tai tulipalon.
  - Väärinkäyttötilanteessa akusta saattaa lentää nestettä. Älä koske tähän nesteeseen. Jos kosket nesteeseen vahingossa, huuhtelee altistunut kohta vedellä. Jos nestettä osuu silmiin, hakeudu hoitoon. Akusta lentänyt neste saattaa aiheuttaa ärsytystä tai palovammoja.
  - Älä käytä akkua tai laitetta, jos ne ovat vaurioituneet tai jos niitä on muokattu. Vaurioituneet tai muokatut akut saattavat käyttäytyä arvaamattomalla tavalla, mikä voi johtaa tulipalo-, räjähdys- tai vammojen vaaraan.
  - Älä altista akkua tai laitetta tulelle tai äärimmäisille lämpötiloille. Altistuminen tulelle tai yli 130 °C (265 °F) lämpötiloille voi aiheuttaa räjähdyksen.
  - Noudata kaikkia latausohjeita äläkä lataa akkua tai laitetta ohjeissa määritetyn lämpötila-alueen ulkopuolella. Virheellinen lataaminen tai lataaminen määritetyn alueen ulkopuolisissa lämpötiloissa voi vaurioittaa akkua ja lisätä tulipaloriskin.

- Huollata laitteesi asiantuntevalla korjaajalla, joka käyttää vain identtisiä varaosia. Näin varmistetaan, että laitteen turvallisuus pysyy vastaavalla tasolla.
  - Älä muokkaa tai yritä korjata laitetta tai akkua muilla tavoilla kuin käyttö- ja huolto-ohjeissa kuvatuilla tavoilla.
15. Tärkeitä akkua koskevia turvallisuusohjeita.
- Ennen kuin käytät akkua, lue kaikki (1) akkulaturin, (2) akun ja (3) akkua käyttävän laitteen ohjeet ja varoitusmerkinnät.
  - Älä pura tai peukaloi akkua. Muutoin seurauksena voi olla tulipalo, ylikuumentuminen tai räjähdys.
  - Jos käyttöaika lyhenee merkittävästi, lopeta käyttö välittömästi. Se saattaa aiheuttaa ylikuumentumisen, mahdollisten palovammojen ja jopa räjähdysriskin.
  - Jos elektrolyyttiä päätyy silmiin, huuhtelee silmät puhtaalla vedellä ja hakeudu välittömästi ensiapuun. Se saattaa aiheuttaa näönmenetyksen.
  - Älä aiheuta akussa oikosulkua.
  - Älä säilytä tai käytä laitetta ja akkua tiloissa, joissa lämpötilat saattavat olla 50 °C (122 °F) tai sitä korkeampia.
  - Älä hävitä akkua polttamalla, vaikka se olisi pahasti vaurioitunut tai täysin kulunut. Akku saattaa räjähtää, jos se altistuu tulelle.
  - Älä naulaa, leikkaa, murskaa, heitä tai pudota akkua äläkä lyö akkua kovalla esineellä. Kyseisestä toiminnasta voi olla seurauksena tulipalo, ylikuumentuminen tai räjähdys.
  - Älä käytä vaurioitunutta akkua.
  - Laitteen sisältämät litiumioniakut ovat vaarallisten aineiden säätelyn alaisia tuotteita. Kaupallisissa toimituksissa, eli esimerkiksi kolmansien osapuolten tai edelleenlähetystoimijoiden, tapauksessa on otettava huomioon erityiset pakkaus- ja merkintävaatimukset. Kun tuotetta valmistellaan toimitusta varten, aiheesta on keskusteltava vaarallisten aineiden asiantuntijan kanssa. Ota myös huomioon mahdolliset tarkemmat kansalliset säädökset. Teippaa tai peitä avoimet kosketuspisteet ja pakkaa akku niin, ettei se voi liikkua pakkauksessa.
  - Käytä akkua vain seuraavan tahon määrittämien tuotteiden kanssa: Makita. Akkujen asentaminen muihin kuin hyväksytyihin tuotteisiin saattaa aiheuttaa tulipalon, ylikuumentumista, räjähdysriskin tai elektrolyyttivuodon.
  - Jos laitetta ei käytetä pitkään aikaan, akku on poistettava.
  - Akku voi kuumentua käytön aikana ja sen jälkeen, mikä voi aiheuttaa palovammoja tai matalan lämpötilan palovammoja. Kiinnitä huomiota kuumien akkujen käsittelyyn.
  - Älä kosketa akun liittimiä heti käytön jälkeen, sillä ne saattavat olla riittävän kuumia aiheuttamaan palovammoja.
  - Älä anna murusten, pölyn tai lian tarttua akun liittimiin, reikiin tai uriin. Muutoin seurauksena voi olla laitteen tai akun huono suorituskyky tai rikkoutuminen.
  - Jollei laite tue käyttöä suurjännitelinjojen lähellä, älä käytä akkua suurjännitelinjojen lähellä. Muutoin seurauksena voi olla laitteen tai akun toimintahäiriö tai rikkoutuminen.
  - Pidä akku poissa lasten ulottuvilta.

## SÄILYTÄ NÄMÄ OHJEET.

**⚠ HUOMIO:** Käytä vain aitoja Makita-akkuja. Muiden kuin aitojen Makita-akkujen tai muokattujen akkujen käyttö saattaa aiheuttaa akun hajoamisen, mikä voi aiheuttaa tulipaloja, henkilövammoja ja vaurioita. Se myös mitätöi Makita-laitteen ja sen laturin Makita-takuun.

16. Akun mahdollisimman pitkän eliniän ylläpitäminen.
- Lataa akku ennen kuin se on täysin tyhjä. Lopeta laitteen käyttö ja lataa akku, jos huomaat, että laitteen virta heikkenee.
  - Älä koskaan lataa täysin ladattua akkua uudelleen. Akun ylläpitäminen lyhentää sen käyttöikää.
  - Lataa akku huoneenlämmössä: 10–40 °C (50–104 °F). Anna kuuman akun jäähtyä ennen kuin lataat sen.
  - Kun et käytä akkua, poista se laitteesta tai laturista.
  - Lataa akku, jos et käytä sitä pitkään aikaan (yli kuuteen kuukauteen).

## TOIMINNAN KUVAUS

**⚠ HUOMIO:** Varmista aina, että laite on sammutettu ja akku on poistettu ennen kuin muutat laitetta tai tarkistat sen toiminnan.

## Akun asentaminen tai poistaminen (Fig. 2)

**⚠ HUOMIO:** Varmista, että sammutat laitteen ennen akun asentamista tai poistamista.

**⚠ HUOMIO:** **Pidä vakaasti kiinni laitteesta ja akusta, kun asennat tai poistat akkua.** Jos laitteesta ja akusta ei pidetä kiinni riittävän hyvin, ne saattavat irrota otteesta, mikä saattaa aiheuttaa laitteen ja akun vaurioita sekä henkilövahinkoja.

Kun haluat asentaa akun, varmista, että akun kieli osuu kotelon uraan, ja liu'uta akku paikalleen. Paina akkua paikalleen, kunnes se lukittuu paikalleen pienen naksahduksen myötä. Jos näet punaisen ilmaisimen, kuten kuvassa näkyy, se ei ole täysin lukittu. Voit poistaa akun liu'uttamalla sen pois laitteesta samalla, kun liu'utat akun etuosassa olevaa painiketta.

**⚠ HUOMIO:** Asenna akku aina kunnolla niin, ettei punaista merkkiä enää näy. Muussa tapauksessa se saattaa pudota laitteesta ja aiheuttaa vammoja joko sinulle tai jollekulle muulle.

**⚠ HUOMIO:** Älä yritä asentaa akkua liiallista voimaa käyttäen. Jos akku ei liu'u sisään helposti, se on virheellisessä asennossa.

## Jäljellä olevan akun varauksen osoittaminen (Fig. 3)

Paina akun tarkistuspainiketta nähdäksesi jäljellä oleva akun varaus. Merkkivalot syttyvät muutaman sekunnin ajaksi.

Merkkivalot			Jäljellä oleva varaus
Palaa	Ei pala	Viilkuva	
■ ■ ■ ■			75% - 100%
■ ■ ■ □			50% - 75%
■ ■ □ □			25% - 50%
■ □ □ □			0% - 25%
▣ □ □ □			Lataa akku.
■ ■ □ □			Akussa on mahdollisesti toimintahäiriö.
□ □ ■ ■			

### HUOMAUTUS:

Käyttöolosuhteista ja ympäristön lämpötilasta riippuen merkkivalojen osoittama varaus saattaa poiketa jossakin määrin todellisesta varauksesta.

### HUOMAUTUS:

Ensimmäinen (äärimmäisenä vasemmalla oleva) merkkivalo vilkkuu, kun akun suojausjärjestelmä toimii.

## Laite / akun suojausjärjestelmä

Laite on suojausjärjestelmä, joka sammuttaa virran automaattisesti. Tämä pidentää laitteen käyttöikää.

## Ylikuumentemissuoja

Kun akun kapasiteetti ei ole riittävä, laite sammuu automaattisesti. Poista siinä tapauksessa akku laitteesta ja lataa akku.

## Suojat muita syitä vastaan

Suojajärjestelmä on myös suunniteltu muille syillä, jotka voivat vahingoittaa laitetta ja antaa laitteen pysähtyä automaattisesti. Toimi seuraavien ohjeiden mukaisesti tekijöiden poistamiseksi, kun laite on pysäytetty väliaikaisesti tai kun se on pysähtynyt toiminnassa.

1. Sammuta laite ja käynnistä se sitten uudelleenkäynnistääksesi.
2. Lataa akku (akut) tai korvaa se/ne ladatulla akulla (akkuilla).
3. Annetaan laitteen ja akku(akkujen) jäähtyä.

Jos turvajärjestelmän restauroiminen ei paranna tilannetta, ota yhteyttä paikalliseen Makitan palvelukeskukseen.

## Valon käynnistäminen ja kirkkaustilan valitseminen (Fig. 4)

### ⚠ HUOMIO:

Älä katso suoraan valoon tai valonlähteeseen.

1. Kytkin: Kirkkausjakso on seuraavanlainen: Paina kerran valitaksesi korkea tila (päällä) / keskitila / alhainen tila / pois päältä.
2. Tilan valitsin: Valaistusjakso on: Kun kytkin on kytketty päälle, painamalla sitä kerran joka kerta johtaa koko lamppu / kiinteä lamppu osa / taitettava lamppu osa.

### HUOMAUTUS:

Kun laite on kytketty päälle, se jatkaa viimeksi käyttämäsi valaistustilaa.

## Alhainen akun merkkivalo (Fig. 5)

Kun akku on vähissä, lukuun ottamatta yhtä kuvassa näkyvää LED-valoa, kaikki muut LED-valot sammuvat. Noin viiden tai kymmenen minuutin kuluttua laite sammuu automaattisesti.

## KÄYTTÖ

### ⚠ HUOMIO:

Kuten fig. 4: ssä näkyy, kun laite asetetaan pystyasentoon, LED- valopalkin pyörittäminen ja taitettava valon osa alaspäin voi saavuttaa laitteen tasapainon ja vakauden. Muussa tapauksessa laite voi kaatua ja aiheuttaa henkilövahinkoja.

## LED-valopalkin kulma (Fig. 6, Fig. 7)

### ⚠ HUOMIO:

Varo, että sormet eivät voi jäädä minkään väliin, kun valon kulmaa säädetään.

### ⚠ HUOMIO:

Varmista, että kiinteän valon osa ja taitettavan valon osat ovat lukittu taitettuun ja avattuun asentoon.

LED-valopalkki voi kiertää 7 vaihetta 45 °: n välein. (90 ° Oikealle, 180 ° vasemmalle)  
Taitettava valo osa voidaan taivuttaa 0 ° tai 180 °.

## Metallikoukku (Fig. 8)

Kun käytät metallikoukkuja, on tarpeen nostaa ja liu'uttaa metallikoukku keskiasentoon.

## Hihna (Fig. 9)

### ⚠ HUOMIO:

Pyöreitä reikiä ja vyöreikiä ei saa käyttää mihinkään muuhun tarkoitukseen kuin hihnojen asentamiseen. Muuten voi esiintyä henkilövahinkoja.

Asenna vyö laitteeseen kuvan mukaisesti.

## Asenna kantajan klippi teleskooppikoukkuun (Fig. 10, Fig. 11)

### HUOMIO:

Kun kantajan klippi asennetaan teleskooppikoukkuun, on huolehdittava sormien puristamisesta.

Asenna kantajan klippi teleskooppikoukkuun kuvan mukaisesti.

### HUOMAUTUS:

Varmista, että jokainen kantajan klippi liukuu kantajan klipin kiinnitysreikään pääpalkissa.

### HUOMAUTUS:

Varmista, että kahden kantajan klipin asennussuunta on johdonmukainen.

## Asenna laite teleskooppikoukkuun (Fig. 12).

Kuten kuvassa näkyy, asenna laite teleskooppikoukkuun kantajan klipin kautta.

### HUOMAUTUS:

Varmista, että jokainen kantajan klippi on kiinnitetty laitteen kiinnitysasentoon.

## Asenna teleskooppikoukku (Fig. 13).

### HUOMIO:

Älä ripusta teleskooppikoukkuun muita esineitä kuin laite. Muussa tapauksessa se voi vahingoittaa pitimen koukkuja ja aiheuttaa henkilövahinkoja.

### HUOMIO:

Varmista, että kaikki komponentit on kiinnitetty turvallisesti ennen käyttöä.

### HUOMIO:

Kun asennat teleskooppikoukun, pidä pääpalkista ja pitimen koukusta kiinni käyttöä varten. Ole varovainen käyttäessäsi sormenvammojen välttämiseksi, koska sisäpalkki palaa alkuasentoonsa jousituksen vaikutuksesta.

Tartu pitimen koukkuun ja asenna se odotettuun asentoon.

Kun avaat teleskooppikoukun, pidä kiinni toisesta pitimen koukusta ja asenna se odotettuun asentoon (toiselle puolelle).

Käynnistä laite ja säädä laitteen valaistuskulmaa sen varmistamiseksi, että se on valaistu ennalta määrättyssä asennossa kuvan mukaisesti.

### HUOMAA:

Jos käytät raskaita akkuja, voit säätää valaistuskulmaa kiertämällä LED-valopalkki.

## HUOLTO

### HUOMIO:

Varmista aina, että laite on sammutettu ja akku on poistettu ennen kuin tarkastat laitteen tai huollat sitä.

### HUOMAA:

Älä koskaan käytä bensiiniä, ohentimia, alkoholia tai muita vastaavia aineita. Ne saattavat aiheuttaa värivirheitä, muodon muuttumista tai halkeamia.

Tuotteen TURVALLISUUDEN ja LUOTETTAVUUDEN säilyttämiseksi korjaukset ja muut huollot tai säädöt on suoritettava Makitan valtuuttamien henkilöiden tai tehdaspalvelukeskusten toimesta ja vain Makitan varaosia käyttäen.

## Puhdistus

### HUOMIO:

Älä koskaan pese laitetta vedessä. Pyyhi laitteen ulkopinta saippuaveteen liotetulla liinalla (laitteen runko) silloin tällöin.

## VALINNAISET LISÄVARUSTEET

### HUOMIO:

Näitä lisävarusteita tai lisäosia suositellaan käytettäväksi tässä ohjeessa määritetyn Makita-laitteesi kanssa. Muiden lisävarusteiden tai lisäosien käyttö saattaa aiheuttaa henkilövammariskin. Käytä lisävarusteita tai lisäosia vain niiden suunniteltuihin tarkoituksiin.

Jos tarvitset apua tai lisätietoja näihin lisävarusteisiin liittyen, ota yhteyttä paikalliseen Makitan palvelukeskukseen.

- Aito Makita-akku ja -laturi

### HUOMAUTUS:

Jotkin luettelossa olevat tuotteet saattavat olla vakiovarusteina laitteen pakkauksessa. Ne saattavat vaihdella maakohtaisesti.

## LATVIEŠU (Oriģinālās instrukcijas)

1	Teleskopiskais āķis	2	LED gaismas stienis	3	Slēdzis	4	Akumulatora kasetne	5	Sarkans indikators	6	Indikatorlampiņas	7	Pārbaudes poga	8	Pastāvīga gaismas daļa (LED-24 gab.)	
9	Salokamā gaismas daļa (LED-18 gab.)	10	Slēdzis	11	Režīmu atlasītājs	12	Zema akumulatora uzlādes līmeņa indikators	13	Kustīgā daļa	14	Metāla āķis	15	Siksna	16	Gredzens	
17	Siksnas piestiprināšanas vieta	18	Nesēja aizspraudes piestiprināšanas caurums	19	Galvenais stienis	20	Iekšējais stienis	21	Nesēja aizspraudze	22	Turēšanas āķis	23	Iesprausta pozīcija			

## SPECIFIKĀCIJAS

Modelis:		DML818
Gaisma	Gaismas plūsma (H/M/L)	1 700 lm /800 lm /400 lm
	Izmēri (G × Pl. × A) (bez akumulatora kasetnes)	975 mm × 80 mm × 101 mm
	Nominālais spriegums	Līdzstrāva 14,4 V / 18 V
	Tīrsvars (bez akumulatora kasetnes)	1,1 kg
Teleskopiskais āķis	Izmēri (G × Pl. × A) (ar aizspraudēm)	1 181 mm × 99 mm × 259 mm
	Neto svars (ar aizspraudēm)	1,5 kg
	Pieejamais platums *	1 130 mm - 1 900 mm

- Katrā valstī specifikācijas var atšķirties.
- Tā kā mēs nepārtraukti turpinām izpēti un izstrādes programmu, šeit sniegtās specifikācijas var tikt mainītas bez iepriekšēja brīdinājuma.
- \* Atkarībā no atrašanās vietas un formas, esošais pieejamais platums var atšķirties.

## Piemērotā akumulatora kasetne un lādētājs

Akumulatora kasetne	14,4 V	BL1415N / BL1430B / BL1440 / BL1460B
	18 V	BL1815N / BL1820B / BL1830B / BL1840B / BL1850B / BL1860B
Lādētājs	DC18RC / DC18RD / DC18RE / DC18SD / DC18SE / DC18SF / DC18SH / DC18WC	

- Atkarībā no jūsu mītnes zemes dažas no iepriekš norādītajām akumulatora kasetnēm var nebūt pieejamas.

**⚠ BRĪDINĀJUMS:** Izmantojiet tikai iepriekš norādītās akumulatora kasetnes. Jebkura cita veida akumulatora kasetņu izmantošana var izraisīt traumu un/vai aizdegšanos.

## Darbības laiks

Piemērotā akumulatora kasetne	Darbības laiks (aptuveni)		
	Visa gaisma (LED-42 gab.)		
	Augsts	Vidējs	Zems
BL1415N	1,0 stundas	2,2 stundas	4,0 stundas
BL1430B	1,6 stundas	3,5 stundas	7,0 stundas
BL1440	2,6 stundas	5,5 stundas	11 stundas
BL1460B	3,3 stundas	7,0 stundas	15 stundas
BL1815N	1,3 stundas	2,8 stundas	5,5 stundas
BL1820B	1,7 stundas	3,5 stundas	7,5 stundas
BL1830B	2,4 stundas	5,0 stundas	10 stundas
BL1840B	3,0 stundas	7,0 stundas	15 stundas
BL1850B	4,0 stundas	9,5 stundas	19 stundas
BL1860B	5,0 stundas	11 stundas	23 stundas

- Iepriekš tabulā norādītais darbības laiks ir aptuvenas pamatnostādnes. Tas var atšķirties no faktiskā darbības laika.
- Akumulatora kasetne katrā valstī var atšķirties.
- Darbības laiks var atšķirties no akumulatora veida, uzlādes statusa un lietošanas apstākļiem.



## Simboli

Tālāk norādīti simboli, ko var izmantot izstrādājumam. Pirms lietošanas pārlicinieties, vai izprotat to nozīmi.



- Izlasiet instrukciju rokasgrāmatu.



- Tikai ES valstīs dēļ tā, ka izstrādājums satur bīstamas vielas, elektrisko un elektronisko izstrādājumu atkritumus, akumulatori un baterijas var izraisīt uz apkārtējo vidi un cilvēku veselību negatīvu ietekmi. Elektriskās un elektroniskās ierīces vai akumulatorus nedrīkst likvidēt kopā ar sadzīves atkritumiem! Ņemot vērā Eiropas Direktīvu par elektrisko un elektronisko iekārtu atkritumiem, bateriju un akumulatoru atkritumiem un to pielāgošanu valsts tiesību aktiem, elektrisko iekārtu, bateriju un akumulatoru atkritumiem jābūt apstrādātiem un pārstrādātiem, ievērojot noteiktās prasības atbilstoši normatīvajiem aktiem par atkritumu apsaimniekošanu un vides aizsardzību. To norāda pārsvītrots atkritumu konteineru simbols, kas ir parādīts uz izstrādājuma.



- Nededziniet akumulatoru.
- Papildu informācija gaismekļiem.
- Šī gaismekļa gaismas avotu nevar nomainīt; tad, kad gaismas avots ir izdedzis, ir jānomaina visu gaismekli.



- Optiskais starojums (UV un IR) Samaziniet iedarbību uz acīm un ādu.



- Nevērsiet skatu tieši lampas gaismas starā.



- Izmantojiet atbilstošas aizsargierīces vai acu aizsardzības līdzekļus.



- Ievērojiet īpašu piesardzību un pievērsiet uzmanību!



- Tikai iekštelpās

## SVARĪGAS DROŠĪBAS INSTRUKCIJAS

### ⚠ BRĪDINĀJUMS.

Neskatieties tieši uz ierīcēm, kas darbojas, lai samazinātu traumu risku. Tas var radīt nopietnas acu traumas.

### ⚠ UZMANĪBU:

Izmantojot ierīces, vienmēr jāievēro galvenie drošības piesardzības pasākumi, lai novērstu aizdegšanās, elektriskās strāvas trieciena un kaitējuma risku, kas ietver tālāk sniegto informāciju.

## IZLASIET VISAS INSTRUKCIJAS.

1. Savainojumu risku mazināšanai, lietot ierīci ar rūpīgu uzraudzību bērnu tuvumā.
2. Nedrīkst ierīci iemērt ūdenī un citos šķidrums, lai izvairītos no elektrošoka. Ierīci nedrīkst novietot vai uzglabāt nestabilā vietā, kur tā var iekrist izlietnē vai vannā.
3. Ierīci nedrīkst pārklāt ar audumu vai kartonu un utt., lai nerastos liesma.
4. Neaizskariet ierīces iekšpusi ar pinceti, metāla instrumentiem u. tml.
5. Nepakļaujiet ierīci lietus vai sniega iedarbībai. Nemazgājiet to ūdenī.
6. Neaizskariet ierīces iekšpusi ar pinceti, metāla instrumentiem u. tml.
7. Izvairieties no pieskaršanās karstajām daļām.
8. Kad nelietojat ierīci, vienmēr izslēdziet to un izņemiet no tās akumulatora kasetni.
9. Nesabojājiet iekārtu, to nometot, uzsitot pa to u. c.
10. Drīkst tikai izmantot tos piedurumus, ko iesaka vai pārdod ražotājs.
11. Kad produkts netiek izmantots, glabājiet to iekštelpās. Ierīce jāglabā bērniem nepieejamā vietā.
12. Drošības informācija pārnēsājamiem gaismekļiem ar akumulatoriem.
- Utilizējot akumulatoru, ievērojiet vietējos noteikumus, kas attiecas uz atbrīvošanos no bīstamiem materiāliem.
- Nededziniet akumulatoru.
13. Papildu informācija gaismekļiem.
- Šī gaismekļa gaismas avotu nevar nomainīt; tad, kad gaismas avots ir izdedzis, ir jānomaina visu gaismekli.
14. Akumulatora instrumentu lietošana un apkope.
- BRĪDINĀJUMS. Izlasiet visus brīdinājumus un norādījumus. Brīdinājumu un norādījumu neievērošana var izraisīt elektrošoku, ugunsgrēku un/vai nopietnus ievainojumus.
- Novērsiet nejaušu palaišanu. Pirms akumulatoru bloka pievienošanas, ierīces pacelšanas vai pārvietošanas pārbaudiet, vai slēdzis ir izslēgtā pozīcijā. Ierīces pārvietošana ar pirkstu uz slēdža vai ierīces aktivizēšana, ja tās slēdzis ir ieslēgtā pozīcijā, rada nelaimes gadījuma risku.
- Pirms regulēšanas, piederumu maiņas vai ierīces uzglabāšanas atvienojiet akumulatoru bloku no ierīces. Šādi profilaktiski drošības pasākumi samazina nejaušu ierīces palaišanas risku.
- Uzlādei izmantojiet tikai ražotāja norādīto lādētāju. Vienam akumulatoru blokam piemērots lādētājs var radīt aizdegšanās risku, ja to izmanto ar citu akumulatoru bloku.
- Izmantojiet ierīces kopā tikai ar īpaši tām paredzētajiem akumulatora blokiem. Jebkura cita veida akumulatoru bloka izmantošana var radīt traumas un aizdegšanās risku.
- Ja akumulatoru bloks netiek izmantots, neturiet to citu metāla priekšmetu, piemēram, papīra saspraucē, monētu, atslēgu, naglu, skrūvju vai citu mazu metāla priekšmetu tuvumā, kas var izveidot savienojumu no vienas spaiļes uz otru. Akumulatora spaiļu īssavienojuma rašanās var radīt apdegumus vai aizdegšanos.
- Skarbos apstākļos šķidrums var izplūst no akumulatora; novērsiet saskari. Ja ir radusies nejauša saskare, noskalojiet ar ūdeni. Ja šķidrums saskaras ar acīm, nekavējoties meklējiet medicīnisku palīdzību. No akumulatora izplūdis šķidrums var radīt kairinājumu vai apdegumus.
- Neizmantojiet akumulatoru bloku vai ierīci, ja tie ir bojāti vai pārveidoti. Bojātu vai pārveidotu akumulatoru darbību nevar paredzēt, un tas var izraisīt aizdegšanos, eksploziju vai traumu risku.
- Akumulatoru bloku vai ierīci nedrīkst pakļaut uguns vai pārmērīgas temperatūras iedarbībai. Pakļaušana uguns iedarbībai vai temperatūrai virs 130 °C (265 °F) var izraisīt eksploziju.
- Ievērojiet uzlādes instrukcijas un neuzlādējiet akumulatoru bloku vai ierīci apstākļos, kuros ir pārsniegtas instrukcijās norādītās temperatūras robežas. Neatbilstoša uzlāde vai uzlāde apstākļos, kuros ir pārsniegtas norādītās temperatūras robežas, var radīt akumulatora bojājumus un paaugstināt aizdegšanās risku.

- Ierīces apkopi drīkst veikt kvalificēts remontstrādnieks, izmantojot tikai identiskas rezerves daļas. Tādējādi tiks nodrošināta ierīces drošība.
  - Nepārveidojiet vai nemēģiniet labot ierīci vai akumulatoru bloku, izņemot gadījumus, kas norādīti lietošanas un apkopes instrukcijās.
15. Svarīgas akumulatora kasetnes drošības instrukcijas.
- Pirms akumulatora kasetnes izmantošanas izlasiet visas instrukcijas un brīdinājuma uzlīmes uz (1) akumulatora lādētāja, (2) akumulatora un (3) ierīces, kurā izmanto akumulatoru.
  - Neizjauciet akumulatora kasetni un necentieties to atvērt. Tādējādi iespējams izraisīt ugunsgrēku, lielu karstumu vai sprādzienu.
  - Ja darbības laiks ir būtiski saīsinājies, nekavējoties pārtrauciet lietošanu. Tas var radīt pārkaršanas, iespējamu apdegumu un pat eksplozijas risku.
  - Ja elektrolīti iekļūst acīs, izskalojiet tās ar tīru ūdeni un nekavējoties meklējiet medicīnisku palīdzību. Tas var izraisīt redzes zudumu.
  - Neizraisiet īssavienojumu akumulatora kasetnē.
  - Uzglabājiet ierīci un akumulatoru vietās, kur temperatūra nevar sasniegt vai pārsniegt 50 °C (122 °F).
  - Nededziniet akumulatora kasetni arī tad, ja tā ir smagi bojāta vai ir pilnībā nolietota. Akumulatora kasetne ugunī var eksplodēt.
  - Nedzeniet akumulatora kasetnē naglas, negrieziet, nespiediet, nenometiet to, kā arī nesietiet pa kasetni ar cietiem priekšmetiem. Tāda rīcība var izraisīt ugunsgrēku, lielu karstumu vai sprādzienu.
  - Nelietojiet bojātu akumulatoru.
  - Uz ietvertajiem litija-jonu akumulatoriem attiecas normatīvās prasības par bīstamām precēm. Veicot komerciālus pārdāvījumus, piemēram, ko nodrošina trešās personas, ekspeditori, jāievēro īpašas prasības attiecībā uz iesaiņojumu un etiķetēm. Lai sagatavotu nosūtāmo preci, ir jākonsultējas ar bīstamo materiālu speciālistu. Skatiet arī iespējams sīkākus vietējos noteikumus. Aplīmējiet ar līmlentu vai nosedziet vaļējus kontaktus un iesaiņojiet akumulatoru tā, lai tas nevar pārvietoties iepakojumā.
  - Izmantojiet akumulatorus kopā tikai ar Makita norādītajiem izstrādājumiem. Akumulatoru ievietošana neatbilstošos izstrādājumos var izraisīt aizdegšanos, pārmērīgu sakaršanu, eksploziju vai elektrolītu noplūdi.
  - Ja instruments netiek lietots ilgu laika periodu, akumulators ir jāizņem no instrumenta.
  - Lietošanas laikā un pēc tās akumulatora kasetne var sakarst; tas var būt par iemeslu apdegumiem vai zemas temperatūras izraisītām termiskām traumām. Ja jums jāaiztiek karstas akumulatora kasetnes, ievērojiet piesardzību.
  - Neaizskariet instrumenta ligzdu tūlīt pēc lietošanas, jo tā var būt pietiekami karsta, lai izraisītu apdegumus.
  - Nepieļaujiet, ka akumulatora kasetnes ligzdās, caurumos un rievās iekļūst skaidas, putekļi vai augsne. Tas var izraisīt traucējumus ierīces vai akumulatora kasetnes darbībā vai tos pilnībā sabojāt.
  - Ja vien instruments nav paredzēts lietošanai augstsprieguma elektrolīniju tuvumā, nelietojiet akumulatora kasetni augstsprieguma elektrolīniju tuvumā. Tas var izraisīt traucējumus ierīces vai akumulatora kasetnes darbībā vai tos pilnībā sabojāt.
  - Neļaujiet bērniem piekļūt akumulatoram.

## SAGLABĀJIET ŠIS INSTRUKCIJAS.

**⚠ UZMANĪBU!** Izmantojiet tikai oriģinālos Makita akumulatorus. Tādu akumulatoru lietošana, kas nav Makita oriģinālie vai ir izmainīti, var būt par iemeslu tam, ka akumulators sprāgst un izraisa ugunsgrēkus, ievainojumus un citu kaitējumu. Tas arī anulē Makita instrumenta un lādētāja Makita garantiju.

16. Padomi maksimālā akumulatora darbmuža uzturēšanai.

- Uzlādējiet akumulatora kasetni pirms tā ir pilnībā izlādējusies. Vienmēr pārtrauciet instrumenta darbību un uzlādējiet akumulatora kasetni, ja pamanāt, ka tā jauda ir mazāka.
- Nekādā gadījumā nelādējiet līdz galam uzlādētu akumulatora kasetni. Pārlādēšana saīsina akumulatora darbmužu.
- Uzlādējiet akumulatora kasetni 10–40 °C (50–104 °F) istabas temperatūrā. Pirms uzlādēšanas nogaidiet, līdz karsta akumulatora kasetne atdziest.
- Kad akumulatora kasetne netiek lietota, izņemiet to no instrumenta vai lādētāja.
- Uzlādējiet akumulatora kasetni, ja to nav paredzēts lietot ilgu laika periodu (vairāk nekā sešus mēnešus).

## DARBĪBAS APRAKSTS

**⚠ UZMANĪBU!**

Pirms noregulējat ierīci vai pārbaudāt tās darbību, vienmēr pārliecinieties, vai ierīce ir izslēgta un akumulatora kasetne ir izņemta no tās.

## Akumulatora kasetnes ievietošana vai izņemšana (Fig. 2)

**⚠ UZMANĪBU!**

Vispirms izslēdziet ierīci pirms akumulatora kasetnes instalēšanas vai izņemšanas.

**⚠ UZMANĪBU:**

**Uzstādot vai noņemot akumulatora kasetni, stingri turiet ierīci un akumulatora kasetni.**

Ja ierīce un akumulatora kasetne netiek turēta stingri, tās var izslīdēt no rokām un radīt ierīces vai akumulatora kasetnes bojājumus vai kaitējumu.

Lai akumulatora kasetni ievietotu, izlīdziniet akumulatora kasetnes mēli ar korpusa rievu un iebīdīet to vietā. Ievietojiet to līdz galam, līdz tā fiksējas vietā ar klusu klikšķi. Ja parādās sarkana indikatora lampiņa, kā parādīts attēlā, tad tas nav pilnībā aizslēgts. Lai akumulatora kasetni izņemtu, izslidiniet to ārā no ierīces, vienlaikus pabīdot slēdzi kasetnes priekšējā daļā.

**⚠ UZMANĪBU:**

Obligāti ievietojiet akumulatora kasetni līdz galam, līdz nav redzams sarkanais indikators. Pretējā gadījumā tā var nejauši izkrist no ierīces, radot kaitējumu jums vai kādam citam jums tuvumā.

**⚠ UZMANĪBU:**

Neievietojiet akumulatora kasetni ar spēku. Ja kasetni nevar viegli iebīdīt, tā nav pareizi ievietota.

## Akumulatora atlikušās jaudas norādīšana (Fig. 3)

Lai redzētu atlikušo akumulatora jaudu, nospiediet pārbaudes pogu uz akumulatora kasetnes. Indikatorlampiņas ieslēdzas uz dažām sekundēm.

Indikatorlampiņas			Atlikusī jauda
Izgaismotas	Izslēgtas	Mirgo	
■ ■ ■ ■			75%–100%
■ ■ ■ □			50%–75%
■ ■ □ □			25%–50%
■ □ □ □			0%–25%
■ □ □ □		▬	Uzlādējiet akumulatoru.
■ ■ □ □	□ □	■ ■	Iespējams, ka radušies akumulatora darbības traucējumi.

### IEVĒROT:

Atkarībā no lietošanas apstākļiem un apkārtējās temperatūras norādes var nedaudz atšķirties no faktiskās jaudas.

### IEVĒROT!

Pirmā (no kreisās puses) indikatorlampiņa mirgo, kad darbojas akumulatora aizsardzības sistēma.

## Ierīces/akumulatora drošības sistēma

Ierīce ir aprīkota ar aizsardzības sistēmu, kas automātiski atslēdz izejas jaudu ilgāka darbību nodrošināšanai.

## Aizsardzība pret ilgstošu atrašanos izlādētā stāvoklī

Kad akumulatoram nepietiek jaudas, ierīce automātiski izslēdzas. Tādā gadījumā izņemiet akumulatoru no ierīces un uzlādējiet akumulatoru.

## Aizsardzība pret citiem kaitējumiem

Šī aizsardzības sistēma ir izstrādāta arī pret citiem kaitējumiem, kas varētu bojāt ierīci un ļaut ierīcei automātiski apturēt darbību. Lai novērstu kaitējumus, veiciet visas tālāk norādītās darbības, kad ierīce ir īslaicīgi apturēta vai tās darbība ir pārtraukta.

1. Lai restartētu ierīci, izslēdziet un ieslēdziet ierīci.
2. Akumulatoru(-us) uzlādējiet vai nomainiet to/tos pret uzlādētu(-iem) akumulatoru(-iem).
3. Ierīcei un akumulatoram(-iem) vajag laiku atdzist.

Gadījumā ja, nav iespējams veikt uzlabojumus, kad atjauno aizsardzības sistēmu, sazinieties ar vietējo Makita servisa centru.

## Gaismas ieslēgšana un spilgtuma režīma izvēle (Fig. 4)

### ⚠ UZMANĪBU:

Neskatieties gaismā un gaismas avotā tieši.

1. Slēdzis. Spilgtuma režīmu secība ir šāda: Katrai nospiešanas reizei: Augstais režīms (iesl.) / Vidējais režīms / Zemais režīms / Izsl.
2. Režīmu atlasītājs: Iedegšanas secība ir sekojoša: Katrai nospiešanas reizei, kad slēdzis ieslēgts Visa gaisma / Pastāvīga gaisma / Salokamā gaismas daļa.

### IEVĒROT:

Ieslēdzot ierīci, tiks ieslēgts tas pats gaismas režīms, kā pirms izslēgšanas.

## Zema akumulatora uzlādes līmeņa indikators (Fig. 5)

Kad akumulatora uzlādes līmenis ir zems, LED gaismas, izņemot vienu, nodziest, kā parādīts attēlā. Apmēram, no piecām līdz desmit minūtēm, ierīce automātiski izslēgsies.

## EKSPLUATĀCIJA

### ⚠ UZMANĪBU!

Grieziet LED gaismas stieni un lokiet kustīgo stieņa daļu, lai nostabilizētu ierīci, to novietojot vertikālā pozīcijā, kā parādīts fig. 4. Savādāk ierīce var nokrist un var rasties traumas.

## LED gaismas stieņa leņķis (Fig. 6, Fig. 7)

### ⚠ UZMANĪBU:

Rīkojieties piesardzīgi, lai, pielāgojot luktura gaismas leņķi, neiesprūst pirksts(-i).

### ⚠ UZMANĪBU:

Pārbaudiet, vai pastāvīgā un salokamā gaismas daļa ir kopā cieši nostiprinātas, un atrodas salocīšanas un atlocīšanas pozīcijās.

LED gaismas stieni var griezt septiņās pakāpēs un katru uz 45°. (90° pa labi un 180° pa kreisi) Salokamā gaismas daļa var tik liekta līdz 0° vai 180°.

## Metāla āķis (Fig. 8)

Metāla āķa izmantošanas laikā, paceliet un pabīdiet to centrālā pozīcijā.

## Siksna (Fig. 9)

### ⚠ UZMANĪBU:

Gredzenu un siksnas atveri nedrīkst izmantot citiem mērķiem, kā tikai siksnas piestiprināšanai. Priešingu atveju gali sukelti asmeninē traumu.

Instalējiet siksnu, kā parādīts attēlā.

## Nesēja aizspraudes instalēšana teleskopiskajā āķī (Fig. 10, Fig. 11)

### **⚠ UZMANĪBU:**

Instalējot nesēja aizspraudes teleskopiskajā āķī, pievērsiet uzmanību pirkstiem, lai tos neiespiestu.

Instalējiet nesēja aizspraudes teleskopiskajā āķī saskaņā ar attēlu.

### **IEVĒROT:**

Galvenajā stienī pārbaudiet katru nesēja aizspraudi un vai tas atrodas nesēja aizspraudes novietošanas atverē.

### **IEVĒROT:**

Pārbaudiet, vai divas nesēja aizspraudes ir instalētas vienādā virzienā.

## Ierīces instalēšana uz teleskopiskā āķa (Fig. 12)

Saskaņā ar attēlu instalējiet ierīci pie nesēja aizspraudēm uz teleskopiskā āķa.

### **IEVĒROT:**

Pārbaudiet, vai nesēja aizspraudes spēj noturēt piesprausto ierīces stāvokli.

## Teleskopiskā āķa uzstādīšana (Fig. 13)

### **⚠ UZMANĪBU:**

Uz teleskopiskā āķa nedrīkst karināt neko citu, izņemot pašu ierīci. Savādāk turēšanas āķi sabojāsies un var rasties traumas.

### **⚠ UZMANĪBU:**

Pārbaudiet, vai katra detaļa ir cieši piestiprināta, pirms ierīces izmantošanas.

### **⚠ UZMANĪBU:**

Teleskopiskā āķa uzstādīšanas laikā, turiet galveno stieni un turēšanas āķus. Pievērsiet uzmanību rokām un pirkstiem, lai negūtu traumas, kad atsperu spēks atgriež iekšējo stieni sākotnējā pozīcijā.

Pieturiet vienu turēšanas āķi, kad vēlaties to uzstādīt vēlamajā pozīcijā.

Pieturiet otru turēšanas āķi, kamēr pagariniet teleskopisko āķi līdz uzstādāt to vēlamajā vietā (cita puse).

Ieslēdziet ierīci un saskaņā ar attēlu pielāgojiet apgaismojuma leņķi, lai apgaismotu nepieciešamo vietu.

### **PAZIŅOJUMS:**

Gadījumā, ja tiek izmantots smags akumulators, griežiet tikai LED gaismas stieni gaismas leņķa regulēšanai.

## APKOPE

### **⚠ UZMANĪBU:**

Pirms mēģināt ierīci pārbaudīt vai salabot, vienmēr pārlicinieties, vai ierīce ir izslēgta un akumulatora kasetne ir izņemta no tās.

### **PAZIŅOJUMS:**

Nekādā gadījumā neizmantojiet degvielu, benzīnu, šķidrīnātāju, spirtu vai līdzīgas vielas. Var rasties krāsas zudums, deformācija vai plaisas.

Lai saglabātu ierīces DROŠĪBU un UZTICAMĪBU, remontdarbi, jebkura cita apkope vai pielāgošana jāveic Makita pilnvarotajiem vai rūpnīcas apkopes centriem, vienmēr izmantojot Makita rezerves daļas.

## Tīrīšana

### **⚠ UZMANĪBU!**

Nekādā gadījumā nemazgājiet ierīci ar ūdeni. Periodiski pārslaukiet ierīces ārējo korpusu ar ziepjūdeni samitrinātu drāniņu.

## PAPILDUS IEGĀDĀJAMI PIEDERUMI

### **⚠ UZMANĪBU:**

Šos piederumus un pierīces ir ieteicams izmantot kopā ar šajā rokasgrāmatā aprakstīto Makita ierīci. Jebkādu citu piederumu vai pierīču izmantošana var radīt kaitējuma personām risku. Izmantojiet piederumu vai pierīci tikai tam paredzētajam mērķim.

Ja jums ir nepieciešama jebkāda palīdzība, lai iegūtu sīkāku informāciju par šiem piederumiem, uzdodiet jautājumus vietējā Makita klientu apkalpošanas centrā.

- Makita oriģinālais akumulators un lādētājs

### **IEVĒROT:**

Dažas preces šajā sarakstā var būt iekļautas ierīces iepakojumā kā standarta piederumi.

Katrā valstī tās var atšķirties.

## LIETUVIŲ KALBA (Originalios instrukcijos)

1	Teleskopinis kabliukas	2	LED šviestuvo juosta	3	Mygtukas	4	Baterijos kasetė	5	Raudonas indikatorius	6	Indikatoriaus lemputės	7	Patikrinimo mygtukas	8	Fiksuotos šviestuvo dalis (LED-24 vnt.)
9	Sulankstomos šviestuvo dalis (LED-18 vnt.)	10	Jungiklis	11	Režimo parinkiklis	12	Išsikrovusios baterijos indikatorius	13	Kilnojamoji dalis	14	Metalinis kabliukas	15	Dirželis	16	Žiedas
17	Dirželio anga	18	Nešiklio spaustuko padėties nustatymo anga	19	Pagrindinė juosta	20	Vidinė juosta	21	Nešiklio spaustukas	22	Laikiklio kabliukas	23	Nukirpta padėtis		

## SPECIFIKACIJOS

Modelis:		DML818
Šviestuvai	Šviesos srautas (H/M/L)	1.700 lm /800 lm /400 lm
	Matmenys (ilgis × plotis × aukštis) (be baterijos kasetės)	975 mm × 80 mm × 101 mm
	Vardinė įtampa	14,4 V / 18 V nuolatinės srovės
	Grynasis svoris (be baterijos kasetės)	1,1 kg
Teleskopinis kabliukas	Matmenys (ilgis × plotis × aukštis) (su spaustukais)	1.181 mm × 99 mm × 259 mm
	Grynasis svoris (su spaustukais)	1,5 kg
	Galimas plotis *	1.130 mm - 1.900 mm

- Specifikacijos priklauso nuo šalies.
- Kadangi mūsų tyrimų ir plėtros programa yra toliau vykdoma, čia nurodytos specifikacijos gali būti pakeistos nepranešus.
- \* Faktinis galimas plotis gali būti skirtingas, priklausomai nuo vietos ir formos.

## Tinkama baterijos kasetė ir įkroviklis

Baterijos kasetė	14,4 V	BL1415N / BL1430B / BL1440 / BL1460B
	18 V	BL1815N / BL1820B / BL1830B / BL1840B / BL1850B / BL1860B
Įkroviklis	DC18RC / DC18RD / DC18RE / DC18SD / DC18SE / DC18SF / DC18SH / DC18WC	

- Priklausomai nuo jūsų regiono, kai kurių pirmiau nurodytų baterijų kasetių gali nepavykti gauti.

**⚠️ ĮSPĖJIMAS:** Naudokite tik pirmiau nurodytas baterijų kasetes. Naudodami kitas baterijų kasetes galite susižeisti ir (arba) sukelti gaisrą.

## Veikimo laikas

Tinkama baterijos kasetė	Veikimo laikas (apytikslis)		
	Visa šviestuvai (LED-42 vnt.)		
	Ilgas	Vidutinis	Trumpas
BL1415N	1,0 valandos	2,2 valandos	4,0 valandos
BL1430B	1,6 valandos	3,5 valandos	7,0 valandos
BL1440	2,6 valandos	5,5 valandos	11 valandos
BL1460B	3,3 valandos	7,0 valandos	15 valandos
BL1815N	1,3 valandos	2,8 valandos	5,5 valandos
BL1820B	1,7 valandos	3,5 valandos	7,5 valandos
BL1830B	2,4 valandos	5,0 valandos	10 valandos
BL1840B	3,0 valandos	7,0 valandos	15 valandos
BL1850B	4,0 valandos	9,5 valandos	19 valandos
BL1860B	5,0 valandos	11 valandos	23 valandos

- Lentelėje nurodyti veikimo laikai yra apytiksliai. Faktinis veikimo laikas gali skirtis.
- Skirtingose šalyse gali būti parduodamos kitokios baterijų kasetės.
- Veikimo laikas gali skirtis priklausomai nuo baterijos tipo, įkrovimo būsenos ir naudojimo sąlygų.

## Simboliai

Toliau pateikti simboliai gali būti naudojami įrenginiams. Prieš naudodami būtinai išsiaiškinkite simbolių prasmę.



- Perskaitykite naudojimo vadovą.



- Taikoma tik ES šalims. Dėl įrangoje esančių kenksmingų komponentų išmesta elektros ir elektroninė įranga, akumulatoriai ir baterijos gali turėti neigiamą poveikį aplinkai ir žmonių sveikatai. Negalima išmesti elektros ir elektroninės įrangos ar baterijų kartu su buitinėmis atliekomis! Pagal Europos direktyvas dėl elektros ir elektroninės įrangos atliekų, akumuliatorių ir baterijų bei akumuliatorių ir baterijų atliekų bei jų pritaikymo nacionaliniams įstatymams, elektros įrangos, baterijų ir akumuliatorių atliekos turi būti laikomos atskirai ir vežamos į atskirą surinkimo punktą už komunalinėms atliekoms, veikiantis pagal aplinkos apsaugos taisykles. Tai rodo perbrauktas šiukšlių dėžės su ratukais simbolis, esantis ant įrangos.



- Optinė spinduliuotė (ultravioletiniai ir infraraudonieji spinduliai). Kiek įmanoma labiau sumažinkite poveikį akims arba odai.



- Nežiūrėkite į veikiančią lempą.



- Naudokite tinkamą antveidį arba akių apsaugines priemones.



- Elkitės itin rūpestingai ir atsargiai!



- Skirta naudoti tik uždaroje patalpose

## SVARBIOS SAUGOS INSTRUKCIJOS

### ⚠ ĮSPĖJIMAS.

Norėdami sumažinti sužalojimo riziką, nežiūrėkite į veikiančius prietaisus. Gali atsirasti sunkus akių sužalojimas.

### ⚠ ATSARGIAI:

Kai naudojate prietaisus, visada laikykitės svarbiausių saugos reikalavimų, kad sumažintumėte gaisro, elektros smūgio arba asmeninio susižeidimo pavojų (įskaitant toliau nurodytus atvejus).

## PERSKAITYKITE VISAS INSTRUKCIJAS.

1. Norėdami sumažinti sužalojimo riziką, būtina atidžiai prižiūrėti, kai prietaisas naudojamas šalia vaikų.
2. Norėdami sumažinti elektros smūgio riziką, nedėkite prietaiso į vandenį arba kitą skystį. Nedėkite ir nelaikykite prietaiso ten, kur jis gali nukristi arba būti ištrauktas į vonią arba kriauklę.
3. Neuždenkite prietaiso audiniu arba dėžute ir pan. Priešingu atveju jis gali sukelti liepsną.
4. Nelieskite vidinių prietaiso dalių replėmis, metaliniais įrankiais ir pan.
5. Saugokite prietaisą nuo lietaus arba sniego. Neplaukite vandenyje.
6. Nelieskite vidinių prietaiso dalių replėmis, metaliniais įrankiais ir pan.
7. Nesilieskite su karštomis dalimis.
8. Kai prietaisas nenaudojamas, visada jį išjunkite ir iš prietaiso išimkite baterijos kasetę.
9. Nenumeskite prietaiso, saugokite jį nuo smūgių ir pan.
10. Naudokite tik gamintojo rekomenduojamus arba parduodamus priedus.
11. Laikykite produktą patalpose, kai jis nenaudojamas. Laikykite vaikams nepasiekiamoje vietoje.
12. Nešiojamųjų šviestuvų su baterijomis saugos informacija.
  - Baterijas būtina šalinti pagal jūsų vietinius įstatymus, susijusius su pavojingų medžiagų šalinimu.
  - Nedeginkite baterijų.
13. Papildoma informacija apie šviestuvus.
  - Šio šviestuvo šviesos šaltinio pakeisti negalima, šviesos šaltiniui pasibaigus eksploatavimo laikui reikia pakeisti visą šviestuvą.
14. Įrankio su baterija naudojimas ir priežiūra.
  - ĮSPĖJIMAS: Perskaitykite visus saugos įspėjimus ir instrukcijas. Nesilaikant visų įspėjimų ir instrukcijų galimas elektros šokas, gaisras ir (arba) rimtas kūno sužalojimas.
  - Pasirūpinkite, kad prietaisas nebūtų įjungtas atsitiktinai. Prieš prijungdami bateriją, paimdami arba nešdami prietaisą įsitikinkite, kad jungiklis nustatytas į išjungimo padėtį. Jei prietaisą nešite laikydami pirštą ant jungiklio arba tiekdami energiją į prietaisą, kurio jungiklis įjungtas, gali kilti nelaimė.
  - Prieš reguliuodami, keisdami priedus arba sandėliuodami prietaisą, atjunkite bateriją nuo prietaiso. Tokios prevencinės saugos priemonės sumažins prietaiso atsitiktinio įsijungimo pavojų.
  - Įkraukite tik naudodami gamintojo nurodytą įkroviklį. Jei įkroviklis, kuris tinkamas vieno tipo baterijai, bus naudojamas kito tipo baterijai įkrauti, gali kilti gaisro pavojus.
  - Naudokite prietaisus prijungę tik specialiai sukurtas baterijas. Naudodami kitas baterijas galite susižeisti ir sukelti gaisrą.
  - Kai baterija nenaudojama, laikykite ją atokiai nuo metalinių objektų, pvz., sąvaržėlių, monetų, raktų, vinių, varžtų arba kitų mažų metalinių objektų, kurie gali sujungti vieną terminalą su kitu. Baterijos terminalų trumpasis jungimas gali sukelti nudegimų arba gaisrą.
  - Netinkamomis sąlygomis skystis gali ištekėti iš baterijos; nelieskite jo. Jei atsitiktinai paliesite, nuplaukite vandeniu. Jei skystis patenka į akis, kreipkitės medikų pagalbos. Iš baterijos ištekėjęs skystis gali sukelti dirginimą arba nudegimų.
  - Nenaudokite baterijos arba prietaiso, kuris yra pažeistas arba pakeistas. Pažeistos arba pakeistos baterijos gali veikti neprognozuojamai ir sukelti gaisrą, sprogamą arba sužeidimo pavojų.
  - Saugokite bateriją arba prietaisą nuo liepsnos ar aukštos temperatūros. Ugnies arba aukštesnės nei 130 °C (265 °F) temperatūros poveikis gali sukelti sprogamą.
  - Vadovaukitės visomis įkrovimo instrukcijomis ir neįkraukite baterijų arba prietaiso kitomis nei instrukcijose nurodytomis temperatūros sąlygomis. Įkraunant netinkamai arba netinkamomis temperatūros sąlygomis baterija gali būti pažeista ir gali padidėti gaisro pavojus.

- Techninę priežiūrą turi atlikti kvalifikuotas remontininkas, naudojantis tik identiškas atsargines dalis. Tokiu būdu galima užtikrinti produkto saugą.
- Nekeiskite ir nebandykite taisyti prietaiso arba baterijos, išskyrus atvejus, kai tai nurodyta naudojimo ir priežiūros instrukcijose.

#### 15. Svarbios baterijos kasetės saugos instrukcijos.

- Prieš naudodami baterijos kasetę perskaitykite visas instrukcijas ir įspėjamuosius ženklus ant (1) baterijos įkroviklio, (2) baterijos ir (3) produkto, kuriame naudojama baterija.
- Neišardykite ir nesugadinkite baterijos kasetės. Tai gali sukelti gaisrą, perkaitimą arba sproginimą.
- Jei veikimo laikas labai sutrumpėjo, nedelsdami nustokite naudoti. Gali kilti perkaitimo, nudegimų ir netgi sproginimo pavojus.
- Jei elektrolitas pateks į jūsų akis, nuplaukite jas švari vandeniu ir nedelsdami kreipkitės medikų pagalbos. Dėl to galima prarasti regą.
- Nesukelkite baterijos kasetės trumpo sujungimo.
- Nelaikykite prietaiso ir baterijos kasetės vietoje, kuriose temperatūra gali pakilti iki 50 °C (122 °F) ar daugiau.
- Nepadėkite baterijos kasetės, net jei ji smarkiai sugadinta arba visiškai susidėvėjusi. Baterijos kasetė gali sprogti ir sukelti gaisrą.
- Nelupkite, nepjaustykite, netraiškykite, nenumeskite baterijos kasetės arba nemeskite jos į kietą daiktą. Toks veiksmas sukelti gaisrą, perkaitimą arba sproginimą.
- Nenaudokite pažeistos baterijos.
- Viduje esančioms ličio jonų baterijoms taikomi pavojingų krovinių teisės aktų reikalavimai. Gabenant komerciniu transportu, pvz., trečiųjų šalių, ekspeditorių transportu, reikia laikytis specialių reikalavimų, nurodytų ant pakuotės ir etikečių. Ruošdamiesi produktą siųsti, būtina pasitarti su pavojingų medžiagų specialistu. Taip pat laikykitės nacionalinių reglamentų, kurie gali būti išsamesni. Atviras vietas apvyniokite juosta arba uždenkite ir supakuokite bateriją tokiu būdu, kad pakuotėje ji negalėtų judėti.
- Naudokite baterijas tik produktuose, kuriuos nurodė „Makita“. Įdėjus baterijas į reikalavimų neatitinkančius produktus galima skelti gaisrą, pernelyg didelį įkaitimą, sproginimą arba elektrolitų nutekėjimą.
- Jei įrankis nenaudojamas ilgą laiką, bateriją reikia pašalinti iš įrankio.
- Naudojimo metu ir po jo baterijos kasetė gali įkaisti, o tai gali sukelti lengvus arba vidutinio laipsnio nudegimus. Atkreipkite dėmesį į tai, kaip elgtis su įkaitusiomis baterijų kasetėmis.
- Nelieskite prietaiso terminalo iškart po naudojimo, nes jis gali pakankamai įkaisti ir nudeginti.
- Saugokite, kad į baterijos kasetės terminalus, angas ir griovelius nepatektų skiedrų, dulkių ar žemių. Tai gali sugadinti prietaisą ar baterijos kasetę arba jie gali blogai veikti.
- Nenaudokite baterijos kasetės šalia aukštos įtampos elektros linijų, nebent prietaisą leidžiama naudoti šalia aukštos įtampos elektros linijų. Tai gali sugadinti prietaisą ar baterijos kasetę arba jie gali veikti netinkamai.
- Laikykite bateriją vaikams nepasiekiamoje vietoje.

## IŠSAUGOKITE ŠIAS INSTRUKCIJAS.

**⚠ ATSAUGOKITE** Naudokite tik originalias „Makita“ baterijas. Ne originalių „Makita“ baterijų arba perdirbtų baterijų naudojimas gali sukelti baterijos sproginimą, gaisrą, asmens sužalojimą ir gedimus. Be to, taip pat bus pažeistos „Makita“ įrankio ir įkroviklio „Makita“ garantijos sąlygos.

#### 16. Patarimai, kaip maksimaliai pratęsti baterijos eksploatavimo laiką.

- Įkraukite bateriją prieš baterijai visiškai išsikraunant. Visada liaukitės naudoję įrankį ir įkraukite baterijos kasetę, kai pastebite, kad sumažėjo įrankio galia.
- Niekada pakartotinai neįkraukite visiškai įkrautos baterijos kasetės. Perteklinis įkrovimas trumpina baterijos eksploatavimo laiką.
- Įkraukite bateriją kambario temperatūroje: 10–40 °C (50–104 °F). Prieš įkraudami palaukite, kol karšta baterijos kasetė atvės.
- Kai baterijos kasetės nenaudojate, išimkite ją iš prietaiso arba įkroviklio.
- Įkraukite baterijos kasetę, jei ilgą laiką jos nenaudosite (ilgiau nei šešis mėnesius).

## FUNKCINIS APRAŠYMAS

### ⚠ ATSAUGOKITE

Prieš reguliuodami prietaisą arba tikrindami jo funkcijas visada įsitikinkite, kad prietaisas išjungtas, o baterijos kasetė yra išimta.

## Baterijos kasetės įdėjimas ir išėmimas (Fig. 2)

### ⚠ ATSAUGOKITE

Visada išjunkite prietaisą prieš įdėdami ar išimdami baterijos kasetę.

### ⚠ DĖMESIO:

**Įdėdami arba išimdami baterijos kasetę laikykite prietaisą ir baterijos kasetę tvirtai.**

Jei nelaikysite prietaiso ir baterijos kasetės tvirtai, jie gali išslisti iš rankų – tokiu atveju galite pažeisti prietaisą bei baterijos kasetę ir patys susižeisti.

Norėdami įdėti baterijos kasetę, sulygiuokite liežuvėlį ant baterijos kasetės su grioveliu korpuse ir įstumkite į vietą. Įstumkite ją iki galo, kol ji užsifiksuos ir pasigirs nežymus spragtelėjimas. Jei matote raudoną indikatoriu, kaip parodyta paveikslėlyje, tai reiškia, kad jis nėra visiškai užrakintas.

Norėdami išimti baterijos kasetę, stumkite ją iš prietaiso, stumdami ant priekinės kasetės pusės esančių mygtukų.

### ⚠ DĖMESIO:

Visada įstatykite baterijos kasetę iki galo, kol nebesimatys raudono indikatoriaus. Priešingu atveju ji gali atsitiktinai iškristi iš prietaiso ir sužeisti jus arba aplinkinius asmenis.

### ⚠ DĖMESIO:

Nekiškite baterijos kasetės naudodami jėgą. Jei kasetės nepavyksta įslinkti lengvai, ji yra įdedama netinkamai.

## Likusias baterijas įkrovo rodymas (Fig. 3)

Paspauskite patikrinimo mygtuką, esantį ant baterijos kasetės, kad sužinotumėte likusią baterijos įkrovą. Indikatoriaus lemputės kelioms sekundėms užsidega.

Indikatoriaus lemputės			Likusi įkrova
Šviečia	Nešviečia	Mirksi	
■ ■ ■ ■	□ □ □ □	▬ ▬ ▬ ▬	75–100 %
■ ■ ■ □	□ □ □ □	▬ ▬ ▬ ▬	50–75 %
■ ■ □ □	□ □ □ □	▬ ▬ ▬ ▬	25–50 %
■ □ □ □	□ □ □ □	▬ ▬ ▬ ▬	0–25 %
▬ □ □ □	□ □ □ □	▬ ▬ ▬ ▬	Įkraukite bateriją.
■ ■ □ □	□ □ □ □	▬ ▬ ▬ ▬	Baterija galėjo sugesti.

### PASTABA:

Priklausomai nuo naudojimo sąlygų ir aplinkos temperatūros, rodomi duomenys gali šiek tiek skirtis nuo faktinės įkrovos.

### PASTABA

Veikiant akumuliatoriaus apsaugos sistemai, mirksi pirmoji (tolima kairė) indikatoriaus lemputė.

## Prietaiso / baterijos apsaugos sistema

Prietaisas turi apsaugos sistemą, kuri automatiškai nutraukia išėjimo galią ilgam tarnavimo laikui.

### Apsauga nuo perkrovos

Kai nepakanka baterijos įkrovos, prietaisas automatiškai sustoja. Tokiu atveju išimkite bateriją iš prietaiso ir įkraukite ją.

### Apsauga nuo kitų priežasčių

Apsaugos sistema taip pat skirta kitoms priežastims, kurios gali sugadinti prietaisą ir leidžia prietaisui automatiškai sustoti. Atlikite visus šiuos veiksmus, kad pašalintumėte priežastis, kai prietaisas buvo laikinai sustabdytas arba nustojo veikti.

1. Išjunkite prietaisą ir vėl įjunkite, kad paleistumėte iš naujo.
2. Įkraukite bateriją (-as) arba pakeiskite ją (jas) su įkrauta (-omis) baterija (-omis).
3. Leiskite prietaisui ir baterijai (-oms) atvėsti.

Jegu atkuriant apsaugos sistemą negalima rasti jokio pagerėjimo, susisiekite su vietiniu „Makita“ aptarnavimo centru.

## Šviesos įjungimas ir ryškumo režimo pasirinkimas (Fig. 4)

### ⚠ DĖMESIO:

Nežiūrėkite tiesiai į šviesos šaltinį.

1. Jungiklis. Ryškumo nustatymų seka: Aukštas režimas (įjungtas) / Vidutinis režimas / Žemas režimas / Išjungtas kiekvienam paspaudimui.
2. Režimo parinkiklis: Apšvietimo seka yra: Visas šviestuvai / Fiksuota šviestuvo dalis / Sulankstoma šviestuvo dalis kiekvienam paspaudimui, kai jungiklis įjungtas.

### PASTABA:

Kai įjungsite prietaisą, jis bus įjungtas tuo pačiu šviestuvo režimu, kaip ir paskutinį kartą.

## Išsikrovusio baterijos indikatorius (Fig. 5)

Kai baterijos išsikrauna, LED šviestuvo užgęsta, išskyrus vieną LED šviestuvą, kaip parodyta iliustracijoje. Tada po maždaug penkių ar dešimties minučių prietaisas automatiškai išsijungia.

## NAUDOJIMAS

### ⚠ DĖMESIO:

Pasukite LED šviestuvo juostą ir sulenkite sulankstomą šviestuvo dalį, kad stabilizuotumėte prietaiso pusiausvyrą, kai prietaisą pastatysite vertikaliajo padėtyje, kaip parodyta fig.4. Priešingu atveju prietaisas galima nukristi ir susižeisti žmogų.

## LED šviestuvo juostos kampas (Fig. 6, Fig. 7)

### ⚠ DĖMESIO:

Reguliuodami šviesos sklaidos kampą elkitės atsargiai, kad neįstrigtų pirštas (-ai).

### ⚠ DĖMESIO:

Įsitinkinkite, kad fiksuota ir sulankstoma šviestuvo dalis turi būti tvirtai užfiksuota atitinkamai sulankstomoje ir išskleidžiamoje padėtyse.

LED šviestuvo juostą galima pasukti septyniais etapais kas 45°. (90° į dešinę ir 180° į kairę) Sulankstoma šviestuvo dalis gali būti sulenkta iki 0° arba 180°.

## Metalinis kabliukas (Fig. 8)

Pakelkite ir stumkite metalinį kabliuką į centrinę padėtį, kai naudojate metalinį kabliuką.

## Dirželis (Fig. 9)

### ⚠ DĖMESIO:

Nenaudokite žiedo ir dirželio angos jokiais kitais tikslais, išskyrus dirželio montavimą. Priešingu atveju gali atsirasti kūno sužalojimas.

Įdėkite dirželį ant prietaiso, kaip parodyta.



## Nešiklių spaustukų montavimas į teleskopinį kabliuką (Fig. 10, Fig. 11)

### DĖMESIO:

Stenkitės nesuspausti piršto (-ų), kai nešiklių spaustukus montuojate į teleskopinį kabliuką.

Įdėkite nešiklių spaustukus į teleskopinį kabliuką, kaip parodyta.

### PASTABA:

Įsitikinkite, kad kiekvienas nešiklio spaustukas yra įsmeigtas į nešiklio spaustuko padėties nustatymo angą pagrindinėje juostoje.

### PASTABA:

Įsitikinkite, kad du nešiklių spaustukai yra pritvirtinti ta pačia kryptimi.

## Prietaiso montavimas ant teleskopinio kabliuko (Fig. 12)

Sumontuokite prietaisą ant teleskopinio kabliuko nešiklių spaustukais, kaip parodyta.

### PASTABA:

Įsitikinkite, kad kiekvienas nešiklio spaustukas laiko nukirptą prietaiso padėtį.

## Montuojamas teleskopinis kabliukas (Fig. 13)

### DĖMESIO:

Nekabinkite nieko, išskyrus prietaisą, ant teleskopinio kabliuko. Priešingu atveju laikiklių kabliukai būtų pažeisti ir gali susižeisti.

### DĖMESIO:

Prieš naudojimą įsitikinkite, kad kiekviena dalis yra tvirtai pritvirtinta.

### DĖMESIO:

Montuodami teleskopinį kabliuką, naudokite laikydami pagrindinį juostą ir laikiklio kabliuką. Būkite atsargūs, kad nesuspaustumėte rankų ir pirštų, nes vidinė juosta spyruoklių jėga grąžinama į pradinę padėtį.

Laikykite vieną laikiklio kabliuką, kad pritvirtintumėte jį ten, kur norite.

Laikykite kitą laikiklio kabliuką, tuo pačiu pratęsdami teleskopinį kabliuką, kad pritvirtintumėte jį prie norimos vietos (kitoje pusėje).

Įjunkite prietaisą ir sureguliuokite prietaiso apšvietimo kampą, kad apšviestumėte norimą vietą, kaip parodyta.

### DĖMESIO:

Jei naudojate sunkią bateriją, pasukite tik LED šviestuvo juostą, kad sureguliuotumėte apšvietimo kampą.

## PRIEŽIŪRA

### DĖMESIO:

Prieš atlikdami tikrinimo ar techninės priežiūros darbus įsitikinkite, kad prietaisas yra išjungtas, o baterijos kasetė išimta.

### DĖMESIO:

Niekada nenaudokite gazolino, benzino, skiediklio, alkoholio ar kitų panašių medžiagų. Dėl to gali pasikeisti spalva, forma arba gali atsirasti įtrūkimų.

Siekiant išsaugoti produkto SAUGĄ ir PATIKIMUMĄ, visus remonto, priežiūros ir reguliavimo darbus reikia atlikti „Makita“ autorizuotame arba gamykliniame priežiūros centre ir tik naudojant „Makita“ atsargines dalis.

## Valymas

### ATSARGIAI

Niekada neplaukite prietaiso vandenyje. Kartkartėmis nuvalykite prietaiso išorę (prietaiso korpusą) muiluotu vandeniu sudrėkinta šluoste.

## PASIRENKAMI PRIEDAI

### DĖMESIO:

Šie priedai rekomenduojami naudoti kartu su „Makita“ prietaisu, nurodytu šiame vadove. Bet kokių kitų priedų naudojimas gali sukelti asmenų sužeidimo pavojų. Priedus naudokite tik pagal nurodytą paskirtį.

Jei reikia pagalbos arba papildomos informacijos, susijusios su šiais priedais, kreipkitės į vietos „Makita“ aptarnavimo centrą.

- „Makita“ originali baterija ir įkroviklis

### PASTABA:

Kai kurie sąrašo elementai gali būti įtraukti į prietaiso paketą kaip standartiniai priedai.

Tai priklauso nuo šalies.

## EESTI KEEL (Originaal juhend)

1	Teleskoopiline konks	2	LED-valgustriba	3	Nupp	4	Akukassett	5	Punane näidik	6	Indikaatorlamp	7	Kontrollnupp	8	Fikseeritud valgusosa (LED-24 tk)
9	Kokkupandav valgusosa (LED-18 tk)	10	Lüliti	11	Režiimivalija	12	Madala aku indikaator	13	Liikuv osa	14	Metallkonks	15	Rihm	16	Rõngas
17	Rihma ava	18	Kinnitusklipi paigutusava	19	Põhivarras	20	Sisemine varras	21	Kinnitusklipp	22	Hoidja konks	23	Klipitud asend		

## SPETSIFIKATSIOONID

Mudel:		DML818
Valgus	Valgusvoog (H/M/L)	1,700 lm / 800 lm / 400 lm
	Mõõtmed (P × L × K) (ilma akupessa)	975 mm × 80 mm × 101 mm
	Nimipinge	D.C. 14,4 V / 18 V
	Netokaal (ilma akukassetita)	1,1 kg
Teleskoopiline konks	Mõõtmed (P × L × K) (klippidega)	1,181 mm × 99 mm × 259 mm
	Netokaal (klippidega)	1,5 kg
	Saadaval olev laius *	1,130 mm–1,900 mm

- Spetsifikatsioonid võivad riigiti erineda.
- Meie jätkuva uurimis- ja arenguprogrammi tõttu võivad käesolevad spetsifikatsioonid muutuda ilma ette teatamata.
- \* Tegelikult saadaval olev laius võib erineda sõltuvalt asukohast ja kujundusest.

## Sobiv akukassett ja laadija

Akukassett	14,4 V	BL1415N / BL1430B / BL1440 / BL1460B
	18 V	BL1815N / BL1820B / BL1830B / BL1840B / BL1850B / BL1860B
Laadija	DC18RC / DC18RD / DC18RE / DC18SD / DC18SE / DC18SF / DC18SH / DC18WC	

- Sõltuvalt teie elukohast ei pruugi mõned eespool loetletud akukassetid saadaval olla.

**⚠ HOIATUS: Kasutage ainult eespool loetletud akukassette.** Teiste akukassetide kasutamine võib põhjustada vigastusi ja/või tulekahju.

## Tööaeg

Sobiv akukassett	Tööaeg (ligikaudu)		
	Tervikvalgus (LED-42 tk)		
	Kõrge	Keskmine	Madal
BL1415N	1,0 tundi	2,2 tundi	4,0 tundi
BL1430B	1,6 tundi	3,5 tundi	7,0 tundi
BL1440	2,6 tundi	5,5 tundi	11 tundi
BL1460B	3,3 tundi	7,0 tundi	15 tundi
BL1815N	1,3 tundi	2,8 tundi	5,5 tundi
BL1820B	1,7 tundi	3,5 tundi	7,5 tundi
BL1830B	2,4 tundi	5,0 tundi	10 tundi
BL1840B	3,0 tundi	7,0 tundi	15 tundi
BL1850B	4,0 tundi	9,5 tundi	19 tundi
BL1860B	5,0 tundi	11 tundi	23 tundi

- Eespool toodud tabelis olevad tööajad on ligikaudsed. Need võivad tegelikest tööaegadest erineda.
- Akukassett võib riigiti erineda.
- Tööajad võivad sõltuvalt aku tüübist, laadimisolekust ja kasutustingimustest erineda.

## Sümbolid

Järgnevad sümbolid näitavad seadmete jaoks kasutatavaid sümbolid. Enne kasutamist veenduge, et mõistate nende tähendust.



- Lugege kasutusjuhendit.



- Ainult EL-i riikidele Kuna seadmes on ohtlikke komponente, võivad elektri- ja elektroonikaseadmete jäätmel, akud ja patareid avaldada negatiivset mõju keskkonnale ja inimeste tervisele. Ärge visake elektri- ja elektroonikaseadmeid ega akusid koos olmejäätmetega! Vastavalt Euroopa direktiivile elektri- ja elektroonikaseadmete jäätmel ning akude ja patareide ning akude ja patareide jäätmel kohta ning nende kohandamise kohta siseriikliku õigusega tuleks elektriseadmeid, patareid ja akusid ladustada eraldi ning toimetada eraldi kogumispunkti. Olmejäätmete osas, mis toimivad vastavalt keskkonnakaitse eeskirjadele. Sellest annab märku seadmele asetatud läbikriipsutatud prügikasti sümbol.



- Optiline kiirgus (UV ja IR). Vähendage kokkupuudet silmade või nahaga.



- Ärge vaadake töötavasse lampi.



- Kasutage sobivat varjestust või silmade kaitset.



- Olge eriti hoolikas ja tähelepanelik.



- Ainult siseruumides kasutamiseks

## OLULISED OHUTUSJUHISED

### ⚠ HOIATUS!

Vigastuste vältimiseks ärge vaadake töötavaid seadmeid pikka aega. Tõsine silmakahjustus võib tekkida.

### ⚠ ETTEVAATUST:

Seadmete kasutamisel tuleb alati järgida põhilisi ohutusabinõusid, et vähendada tulekahju, elektrilöögi ja kehavigastuste ohtu, sealhulgas järgmiseid.

## LUGEGE KÕIKI JUHENDEID.

1. Vigastuste vältimiseks on vajalik lähedal olevate laste kasutamisel pidev järelevalve.
2. Elektrilöögi riski vähendamiseks ärge asetage seadet vette ega muudesse vedelikesse. Ärge asetage ega hoidke seadet kohtades, kust see võib kukkuda või tõmmata vanni või kraanikaussi.
3. Ärge katke seadet kangaga ega kartongiga jne. Vastasel juhul võib see põhjustada leeki.
4. Ärge puudutage seadme sisemust pintsettide, metalltööriistade ega muuga.
5. Ärge laske seadmel puutuda kokku vihma ega lumega. Ärge peske seda vees.
6. Ärge puudutage seadme sisemust pintsettide, metalltööriistade ega muuga.
7. Ärge puudutage kuumi osi.
8. Kui seadet ei kasutata, lülitage see alati välja ja eemaldage akukassett seadmest.
9. Ärge avaldage seadmele mõju seda maha kukutades, lüües jne.
10. Kasutage ainult tootja soovitatud või müüdvaid lisaseadmeid.
11. Hoidke toodet siseruumides, kui seda ei kasutata. Hoidke lastele kättesaamatus kohas.
12. Akudega kaasaskantavate valgustite ohutusteave.
  - Akude kõrvaldamine peab vastama teie kohalikele eeskirjadele, mis käsitlevad ohtlike materjalide kõrvaldamist.
  - Ärge põletage akut.
13. Valgustite täiendav teave.
  - Antud valgusti valgusallikas ei ole vahetatav; kui valgusallika kasutamisega jõuab lõpule, tuleb kogu valgusti välja vahetada.
14. Akukasseti kasutamine ja hooldamine.
  - HOIATUS: Lugege läbi kõik ohutusohiatused ja juhised. Hoiatuste ja juhiste eiramisel võite saada elektrilöögi, raskelt vigastada või põhjustada tulekahju.
  - Vältige juhuslikku käivitamist. Veenduge enne akukomplektiga ühendamist, seadme ülesvõtmist ja kandmist, et lüliti on väljalülitatud asendis. Seadme kandmine nii, et teie sõrm on lülitil või sisselülitatud seadme pingestamine võib põhjustada õnnetusi.
  - Enne seadistamist, tarvikute vahetamist või seadme hoiule panekut eemaldage seadmest akukomplekt. Sellise ettevaatusabinõu kasutamine hoiab ära seadme tahtmatu käivitamise.
  - Laadige ainult tootja määratud laadijaga. Ühte tüüpi akukomplektiile sobiv laadija võib tekitada tulekahju ohu, kui seda kasutatakse teiste akukomplektidega.
  - Kasutage seadmeid ainult ettenähtud akukomplektidega. Teiste akukomplektide kasutamine võib põhjustada vigastuste ja tulekahju ohu.
  - Kui akukomplekt ei ole kasutuses, hoidke seda eemal muudest metallobjectidest nagu kirjaklambrid, mündid, võtmed, naelad, kruvid ja teised väikesed metallobjectid, mis võivad kahe klemmi vahel ühenduse luua. Akuklemmide lühisesse viimine võib põhjustada põletusi või tulekahju.
  - Kuritarvitamise korral võib patareist paiskuda vedelikke; vältige kokkupuudet. Juhusliku kokkupuute korral loputage veega. Kui vedelik puutub kokku silmadega, pöörduge arsti poole. Akust paiskunud vedelik võib põhjustada ärritust või põletusi.
  - Ärge kasutage akukomplekti või seadet, mis on kahjustunud või muudetud. Kahjustunud või muudetud akud võivad käituda ettearvamatu, põhjustades tulekahju, plahvatuse või vigastuste ohu.
  - Ärge laske akukomplektil puutuda kokku tule või liiga kõrgete temperatuuridega. Kokkupuude tulekahjuga või temperatuuriga üle 130 °C (265 °F) võib põhjustada plahvatuse.
  - Järgige kõiki laadimisjuhiseid ja ärge laadige akukomplekti või seadet väljaspool juhendis toodud temperatuurivahemikku. Vale või väljaspool ettenähtud temperatuurivahemikku tehtav laadimine võib akut kahjustada ja suurendada tuleohtu.
  - Laske hooldustoiminguid teostada ainult kvalifitseeritud spetsialistidel, kes kasutavad originaalvaruosi. Nii tagate seadme jätkuva ohutuse.
  - Ärge muutke ega proovige seadet või akukomplekti parandada, välja arvatud juhul, kui see on toodud kasutus- ja hooldusjuhendis.
15. Olulised ohutusjuhiseid akukassetile.
  - Enne akukasseti kasutamist lugege kõiki juhiseid ja ettevaatusabinõusid (1) akulaadial, (2) akul ja (3) akut kasutaval seadmest.

- Ärge demonteerige ega muutke akukassetti omavoliliselt. See võib põhjustada tulekahju, liigset soojust või plahvatuse.
- Kui tööaeg on muutunud liialt lühikeseks, peatage töötamine kohe. See võib tekitada ülekuumenemise, võimalike põletuste ja isegi plahvatusohu.
- Kui elektrolüüt satub silma, loputage see veega välja ja pöörduge kohe arsti poole. See võib põhjustada nägemise kaotuse.
- Ärge lühistage akukassetti.
- Ärge hoidke ega kasutage tööriista ega akukassetti kohtades, kus temperatuur võib saavutada või ületada 50 °C (122 °F).
- Ärge põletage akukassetti isegi siis, kui see on tugevalt kahjustatud või täielikult kulunud. Akukassett võib tules plahvatada.
- Ärge naelutage, löigake, purustage, visake ega kukutage akukassetti maha, samuti ärge lööge akukassetiga kõva eseme vastu. Selline käitumine võib põhjustada tulekahju, liigset soojust või plahvatuse.
- Ärge kasutage kahjustatud akut.
- Sisalduvatele liitiumioonakudele kehtivad ohtlike kaupade seadusandluse nõuded. Kaubanduslike vedude puhul, nt kolmandate osapoolte, ekspediitorite puhul, tuleb jälgida pakendamise ja märgistamise erinõudeid. Lähetatava kauba ettevalmistamiseks tuleb konsulteerida ohtlike materjalide eksperdiga. Järgige ka üksikasjalikumaid riiklikke eeskirju. Teipige või katke kinni avatud klemmid ja pakendage aku nii, et see ei saaks pakendis liikuda.
- Kasutage akusid ainult nende toodetega, mille on määranud Makita. Akude paigaldamine nõuetele mittevastavatele toodetele võib põhjustada tulekahju, liigse kuumuse, plahvatuse või elektrolüüdi lekke.
- Kui akut ei kasutata pikka aega, tuleb aku tööriistast eemaldada.
- Kasutamise ajal või pärast seda võib akukassett olla nii kuum, et põhjustab põletusi või madala temperatuuri põletusi. Olge kuumade akukassetide käsitlemisel ettevaatlik.
- Ärge puudutage tööriista klemmi kohe pärast kasutamist, kuna see võib olla piisavalt kuum, et põletusi põhjustada.
- Ärge laske akukasseti klemmidesse, avadesse ega soontesse kinni jääda kildudel, tolmul ega mullal. See võib põhjustada tööriista või akukasseti kehva jõudlust või purunemist.
- Kui tööriist ei toeta kasutamist kõrgepingeliste elektriliinide läheduses, ärge kasutage akukassetti kõrgepingeliste elektriliinide läheduses. See võib põhjustada tööriista või akukasseti talitlushäireid või purunemist.
- Hoidke aku lastest eemal.

## HOIDKE SEE JUHEND ALLES.

**⚠ ETTEVAATUST!** Kasutage ainult ehtsaid Makita akusid. Mitteehtsate Makita akude või muudetud akude kasutamine võib põhjustada aku plahvatamise, tekitades tulekahju, kehavigastusi ja kahjustusi. See tühistab ka Makita tööriista ja laadija Makita garantii.

16. Näpunäited aku maksimaalse tööea säilitamiseks.
- Laadige akukassetti enne selle täielikku tühjenemist. Peatage alati tööriista töö ja laadiga akukassetti, kui märkate tööriista võimsuse langemist.
  - Ärge laadige kunagi täiesti täislaetud akukassetti. Ülelaadimine vähendab aku tööiga.
  - Laadige akukassetti toatemperatuuril 10 °C–40 °C (50 °F–104 °F). Laske kuumal akukassetil enne laadimist maha jahtuda.
  - Kui akukassetti ei kasutata, eemaldage see tööriistast või laadijast.
  - Laadige akukassetti, kui te ei kasuta seda pika aja jooksul (enam kui kuus kuud).

## FUNKTSIONAALNE KIRJELDUS

**⚠ ETTEVAATUST!**  
Veenduge alati enne seadme reguleerimist või funktsiooni kontrollimist, et seade on välja lülitatud ja et akukassett on eemaldatud.

### Akukasseti paigaldamine või eemaldamine (Fig. 2)

**⚠ ETTEVAATUST!**  
Lülitage seade alati välja enne aku pesa paigaldamist või eemaldamist.

**⚠ ETTEVAATUST:**  
**Hoidke seadet ja akukassetti akukasseti paigaldamise või eemaldamise ajal kindlalt.**  
Seadme ja akukasseti kindlalt hoidmata jätmine võib põhjustada nende käest libisemist ja tekitada kahju seadmele ja akukassetile ning kehavigastusi.

Akukasseti paigaldamiseks joondage akukasseti keel korpuses oleva soonega ja libistage see kohale. Sisestage see täielikult, kuni see kohale klõpsatab. Kui näete punast indikaatorit, nagu joonisel näidatud, pole see täielikult lukustatud. Akukasseti eemaldamiseks libistage see seadmest välja, libistades samal ajal kasseti esiküljel olevat nuppu.

**⚠ ETTEVAATUST:**  
Paigaldage akukassett alati täielikult, kuni punast näidikut pole näha. Vastasel juhul võib see kogemata seadmest välja kukkuda, vigastades teid või kedagi teie ümber.

**⚠ ETTEVAATUST:**  
Ärge paigaldage akukassetti jõuga. Kui kassett ei libise lihtsalt sisse, sisestatakse seda valesti.

## Aku järelejäänud mahtuvuse näitamine (Fig. 3)

Vajutage akukassetil olevat kontrollnuppu, et näidata aku järelejäänud mahtuvust. Näidiku märgutuled süttivad mõneks sekundiks.

Näidiku märgutuled			Järelejäänud mahtuvus
Süttinud	Väljas	Vilgub	
■	□	▣	
■ ■ ■ ■			75% kuni 100%
■ ■ ■ □			50% kuni 75%
■ ■ □ □			25% kuni 50%
■ □ □ □			0% kuni 25%
▣ □ □ □			Laadige akut.
■ ■ □ □			
□ □ ■ ■			Aku võib olla rikkis.

### MÄRKUS:

Sõltuvalt kasutustingimustest ja ümbritsevast temperatuurist, võib näidustus tegelikust mahtuvusest veidi erineda.

### MÄRKUS:

Esimene (kõige vasakpoolsem) märgutuli vilgub, kui akukaitsesüsteem töötab.

## Seade / aku kaitsesüsteem

Seade on varustatud kaitsesüsteemiga, mis katkestab pika tööea säilitamiseks automaatselt väljundvõimsuse.

### Liigse tühjenemise kaitse

Kui aku mahtuvusest ei piisa, seiskub seade automaatselt. Sellisel juhul eemaldage aku seadmest ja laadige seda.

### Kaitse teiste põhjuste eest

Kaitsesüsteem on loodud ka muude põhjuste jaoks, mis võivad seadet kahjustada ja laseb seadmel automaatselt seiskuda. Võtke kõik järgmised sammud selgeks põhjused, kui seade on toonud ajutine peatus või peatus toimimist.

1. Lülitage seade välja ja uuesti sisse, et taaskäivitada.
2. Laadige aku(d) või asendage aku(d) laetud aku(te)ga.
3. Laske seadmel ja patareidel jahtuda.

Kui kaitsesüsteemi taastamisega parandusi ei leita, võtke ühendust kohaliku Makita hoolduskeskusega.

## Valguse sisselülitamine ja heledusrežiimi valimine (Fig. 4)

### ⚠ ETTEVAATUST:

Ärge vaadake valgust ega valgusallikat otse.

1. Lülitage Heleduste järjestus on järgmine. Kõrge režiim (sees) / Keskmise režiim / Madal režiim / Väljas iga vajutuse korral.
2. Režiimivalija: Valgustamise järjestus on: Tervikvalgus / Fikseeritud valgusosa / Kokkuklapitav valgusosa iga vajutuse korral, kui lüliti on sisse lülitatud.

### MÄRKUS:

Kui seade sisse lülitatakse, lülitatakse see sisse sama valgusrežiimis nagu viimati kasutatud.

## Madala aku indikaator (Fig. 5)

Kui aku saab tühjaks, kustuvad LED-tuled, välja arvatud üks LED-tuli, nagu näidatud. Siis umbes viis kuni kümme minutit hiljem lülitub seade automaatselt välja.

## TÖÖTAMINE

### ⚠ ETTEVAATUST:

Pöörake LED-valgusriba ja klappige kokku kokkupandav valgusosa, et tasakaalustada seadme tasakaalu, kui asetate seadme püstisesse asendisse, nagu on näidatud fig.4. Vastasel juhul võib seade ümber kukkuda ja tekkida isiklik vigastus.

## LED-valgusriba nurga reguleerimine (Fig. 6, Fig. 7)

### ⚠ ETTEVAATUST:

Olge valguse nurga reguleerimisel tähelepanelik, et sõrmed vahele ei jääks.

### ⚠ ETTEVAATUST:

Veenduge, et fikseeritud ja kokkupandav valgusosa oleksid lukustatud vastavalt kokkupanemise ja lahtipakkimise asendites.

LED-valgusriba saab pöörata seitsmes etapis iga 45 kraadi järel. (90 kraadi paremale ja 180 kraadi vasakule) Kokkupandavat valgusosa saab painutada 0 kraadi või 180 kraadi.

## Metallist konks (Fig. 8)

Tõstke ja libistage metallkonks keskpõhisele, kui kasutate metallkonksu.

## Rihm (Fig. 9)

### ⚠ ETTEVAATUST:

Ärge kasutage rõngast ja kinnitusaugu muul otstarbel kui kinnitusrihma paigaldamiseks. Vastasel korral võib tekkida kehavigastus.

Paigaldage seadmele kinnitusrihm vastavalt joonisel näidatud viisil.

## Kandeklipsude paigaldamine teleskoopkinnitisse (Fig. 10, Fig. 11)

### ⚠ ETTEVAATUST:

Veenduge, et te ei pigista sõrme(d), kui paigaldate kandeklipse teleskoopkinnitisse.

Paigaldage kandeklipsud teleskoopkinnitisse vastavalt joonisel näidatud viisil.

### MÄRKUS:

Veenduge, et iga kandeklips libiseb põhivarre kandeklipstu asendamise auku.

### MÄRKUS:

Veenduge, et kaks kandeklipstu oleksid paigaldatud samas suunas.

## Seadme paigaldamine teleskoopilisele konksule (Fig. 12)

Veenduge, et iga kandeklips hoiab seadme kinnitatud asendit.

### MÄRKUS:

Veenduge, et iga kandeklamber hoiab seadme klambritud asendit.

## Teleskoopilise konksu paigaldamine (Fig. 13)

### ⚠ ETTEVAATUST:

Vastasel juhul võivad hoidikukonksud saada kahjustada ja tekkida isiklik vigastus. Veenduge enne kasutamist, et iga osa oleks kindlalt kinnitatud.

### ⚠ ETTEVAATUST:

Teleskoopkinnituse paigaldamisel hoidke põhivarre ja hoidikukonkse.

### ⚠ ETTEVAATUST:

Olge ettevaatlik, et te ei pigistaks käsi ja sõrmi, kuna sisemine varras naaseb vedrude jõul oma algasendisse. Paigaldage seade teleskoopkinnitisse kandeklipsude abil vastavalt joonisel näidatud viisil.

Hoidke ühte hoidikukonksu selle paigaldamiseks soovitud kohta.

Hoidke teist hoidikukonksu, samal ajal pikendades teleskoopkinnitust selle paigaldamiseks soovitud asukohta (teine pool).

Lülitage seade sisse ja reguleerige seadme valgustusnurka, et valgustada soovitud kohta vastavalt joonisel näidatud viisil.

### MÄRKUS:

Kui kasutate rasket akut, reguleerige valgustusnurka ainult LED-valgusriba pööramisega.

## HOOLDUS

### ⚠ ETTEVAATUST:

Veenduge alati enne kontrollimist või hooldust, et seade on välja lülitatud ja akukassett on eemaldatud.

### MÄRKUS:

Ärge kasutage kunagi bensiini, vedeldit, alkoholi ega muud sarnast. Tulemuseks võib olla värvimuutus, deformatsioon või praod.

Toote OHUTUSE ja TÖÖKINDLUSE säilitamiseks peab parandused ning muud hooldus- ja kohandustööd tegema Makita volitatud või tehase teeninduskeskustes, kasutades alati Makita varuosi.

## Puhastamine

### ⚠ ETTEVAATUST!

Ärge peske kunagi seadet vees.

Aeg-ajalt puhastage seadme välimus (seadme korpus) niiske seebiveega niisutatud lapiga.

## VALIKULISED TARVIKUD

### ⚠ ETTEVAATUST:

Neid tarvikud või lisaseadmeid on soovitatav kasutada selles juhendis nimetatud Makita seadmetega. Mis tahes teiste tarvikute või lisaseadmete kasutamine võib tekitada inimvigastuste ohtu. Kasutage tarvikud või lisaseadmeid ainult selleks ettenähtud otstarbel.

Kui vajate nende tarvikute kohta lisateavet, küsige kohalikult Makita teeninduskeskusest.

- Makita ehtne aku ja laadija

### MÄRKUS:

Mõned loendis olevad esemed võivad olla standardtarvikud, mis on kaasas seadme pakendis. Need võivad riigiti erineda.

## РУССКИЙ (Оригинальные инструкции)

1	Телескопический крючок	2	Светодиодная световая панель	3	Кнопка	4	Аккумуляторная батарея	5	Индикатор красного цвета	6	Лампочка индикатора	7	Кнопка проверки	8	Фиксированная световая часть (Светодиоды-24 шт.)
9	Складная световая часть (светодиоды-18 шт.)	10	Выключатель	11	Переключатель режимов	12	Индикатор низкого заряда батареи	13	Подвижная часть	14	Металлический крючок	15	Ремешок	16	Кольцо
17	Отверстие для ремешка	18	Фиксирующее отверстие для крепежного зажима	19	Главная панель	20	Внутренняя панель	21	Крепежный зажим	22	Держатель крючка	23	Зафиксированное положение		

## ТЕХНИЧЕСКИЕ ХАРАКТЕРИСТИКИ

Модель:		DML818
Свет	Световой поток (высокий/средний/низкий)	1 700 лм /800 лм /400 лм
	Габаритные размеры (Д × Ш × В) (без аккумуляторной батареи)	975 мм × 80 мм × 101 мм
	Номинальное напряжение	D.C. 14,4 В / 18 В
	Масса-нетто (без аккумуляторной батареи)	1,1 кг
Телескопический крючок	Габаритные размеры (Д × Ш × В) (с зажимами)	1 181 мм × 99 мм × 259 мм
	Масса-нетто (с зажимами)	1,5 кг
	Доступная ширина *	1 130 мм - 1 900 мм

- Технические характеристики могут отличаться в разных странах.
- Мы не прекращаем совершенствовать и дорабатывать нашу продукцию, поэтому технические характеристики, указанные в данной документации, могут изменяться без уведомления.
- \* Фактическая доступная ширина может отличаться в зависимости от расположения и формы.

## Совместимые аккумуляторные батареи и зарядные устройства

Аккумуляторная батарея	14,4 В	BL1415N / BL1430B / BL1440 / BL1460B
	18 В	BL1815N / BL1820B / BL1830B / BL1840B / BL1850B / BL1860B
Зарядное устройство	DC18RC / DC18RD / DC18RE / DC18SD / DC18SE / DC18SF / DC18SH / DC18WC	

- В некоторые страны указанные выше аккумуляторные батареи не поставляются.

**⚠ ПРЕДУПРЕЖДЕНИЕ:** Используйте только перечисленные выше аккумуляторные батареи. Использование любых других батарей может привести к травмам и/или возгоранию.

## Время работы

Совместимая аккумуляторная батарея	Время работы (приблизительное)		
	Весь свет (Светодиоды-42 шт.)		
	Высокая яркость	Средний	Низкая яркость
BL1415N	1,0 час	2,2 часа	4,0 час
BL1430B	1,6 часов	3,5 часов	7,0 часов
BL1440	2,6 часов	5,5 часов	11 час
BL1460B	3,3 часа	7,0 часов	15 часов
BL1815N	1,3 часа	2,8 часов	5,5 часов
BL1820B	1,7 часов	3,5 часов	7,5 часов
BL1830B	2,4 часа	5,0 час	10 часов
BL1840B	3,0 час	7,0 часов	15 часов
BL1850B	4,0 час	9,5 часов	19 часов
BL1860B	5,0 час	11 час	23 часа

- Время работы в приведенной выше таблице является приблизительным. Фактическое время работы может отличаться.
- Аккумуляторные батареи могут отличаться в разных странах.
- Время работы зависит от типа батареи, состояния заряда и условий эксплуатации.

## Условные обозначения

Ниже приведены символы, которые могут быть использованы для обозначения. Убедитесь, что вы понимаете их значение перед работой.



- Изучите руководство по эксплуатации.



- Только для стран ЕС. Из-за наличия в оборудовании опасных компонентов, обработанное электрическое и электронное оборудование, аккумуляторы и батареи могут оказывать негативное влияние на окружающую среду и здоровье людей. Не выбрасывайте электрические и электронные приборы или батареи вместе с бытовыми отходами! В соответствии с Европейской директивой об обработанном электрическом и электронном оборудовании и об аккумуляторах и батареях, а также с адаптацией к национальному законодательству, обработанное электрическое оборудование, батареи и аккумуляторы следует хранить отдельно и отправлять в отдельный пункт сбора для бытовых отходов, работающий в соответствии с нормами об охране окружающей среды. Обозначается символом перечеркнутого мусорного бака на колесах, размещаемом на оборудовании.



- Оптическое излучение (УФ и ИК). Сведите воздействие на глаза и кожу к минимуму.



- Не смотрите на работающий фонарь.



- Используйте подходящую защиту для глаз.



- Соблюдайте особую осторожность!



- Только для использования во внутренних помещениях

## ВАЖНЫЕ ИНСТРУКЦИИ ПО ТЕХНИКЕ БЕЗОПАСНОСТИ

### ⚠ ПРЕДУПРЕЖДЕНИЕ:

Для уменьшения риска травмирования не смотрите на работающие приборы. Это может привести к серьезному повреждению глаз.

### ⚠ ВНИМАНИЕ:

При использовании приборов всегда соблюдайте основные меры предосторожности (см. ниже), чтобы уменьшить риск возгорания, поражения током, получения травм.

## ИЗУЧИТЕ ВСЕ ИНСТРУКЦИИ.

1. Для уменьшения риска травмирования необходимо непосредственное наблюдение, когда устройство используется рядом с детьми.
2. Во избежание поражения электрическим током не погружайте прибор в воду или другие жидкости. Не ставьте и не храните прибор там, откуда он может упасть или быть вытолкнут в ванну или раковину.
3. Не накрывайте прибор тканью, картонной коробкой и т.д. В противном случае это может привести к возгоранию.
4. Не касайтесь прибора пинцетом, металлическими инструментами и т.д.
5. Не подвергайте прибор воздействию дождя или снега. Не промывайте его водой.
6. Не касайтесь прибора пинцетом, металлическими инструментами и т.д.
7. Не прикасайтесь к горячим частям.
8. Если прибор не используется, обязательно выключите его и извлеките аккумуляторную батарею.
9. Не подвергайте прибор ударам, падению и т.д.
10. Используйте только принадлежности, рекомендованные или продаваемые производителем.
11. Когда устройство не используется, храните его в помещении. Храните в недоступном для детей месте.
12. Информация по безопасности для аккумуляторных переносных осветительных приборов.
  - Батарею следует утилизировать в соответствии с местными нормами и правилами утилизации опасных материалов.
  - Батарею не сжигать.
13. Дополнительная информация по осветительным приборам.
  - Источник света данного светильника не заменяемый. По истечении ресурса источника света светильник полностью подлежит замене.
14. Использование и уход за аккумулятором.
  - **ПРЕДУПРЕЖДЕНИЕ:** Прочитайте все предупреждения и инструкции по технике безопасности. Несоблюдение предупреждений и инструкций может привести к поражению электрическим током, пожару и/или серьезной травме.
  - Избегайте случайного включения. Перед подключением аккумуляторных батарей, подъема или переноски прибора убедитесь, что выключатель находится в отключенном положении. При переноске прибора не кладите палец на выключатель, а также не подключайте питание, если выключатель находится во включенном положении. Это может привести к несчастному случаю.
  - Перед выполнением регулировок, сменой принадлежностей или при длительном хранении прибора обязательно вынимайте аккумуляторные батареи из прибора. Эти меры предосторожности снижают риск случайного включения прибора.
  - Используйте только зарядное устройство, поставляемое изготовителем. Зарядное устройство, предназначенное под конкретный тип аккумуляторной батареи, может привести к возгоранию, если будет использовано для неподходящей батареи.
  - Используйте только специальные аккумуляторные батареи для прибора. Неподходящие аккумуляторные батареи могут привести к получению травм или вызвать возгорание.
  - Неиспользуемую аккумуляторную батарею храните вдали от металлических предметов, например, канцелярских скрепок, монет, ключей, гвоздей и прочих небольших металлических предметов, которые могут замкнуть клеммы аккумулятора. Замыкание клемм аккумулятора может привести к получению ожогов или вызвать возгорание.
  - При неправильной эксплуатации из батареи может вытечь электролитическая жидкость. Избегайте контакта с ней. В случае случайного соприкосновения промойте водой. Если эта жидкость попадет в глаза, обратитесь за медицинской помощью. Жидкость из батареи может вызвать раздражение или ожоги.
  - Запрещается использовать поврежденную или измененную аккумуляторную батарею или прибор. Поврежденные или измененные батареи могут работать непредсказуемо и стать причиной возгорания, взрыва или получения травм.
  - Не подвергайте аккумуляторную батарею или прибор воздействию огня или чрезмерно высокой температуры. Воздействие огня или температуры выше 130 °C (265 °F) может привести к взрыву.



- Соблюдайте инструкции по зарядке аккумуляторной батареи или прибора, в частности указанный диапазон температур. Неправильная зарядка или нарушение указанного диапазона температур могут повредить батарею и повысить опасность возгорания.
  - Сервисное обслуживание должен проводить только квалифицированный специалист, используя идентичные запасные части. Это обеспечит безопасность прибора.
  - Запрещается вносить изменения в конструкцию прибора или аккумуляторной батареи или проводить их ремонт, за исключением процедур, указанных в инструкции по эксплуатации и обслуживанию.
15. Важные правила техники безопасности при обращении с аккумуляторной батареей.
- Перед использованием аккумуляторной батареи изучите все инструкции и предупреждающие маркировки, указанные на зарядном устройстве батареи (1), самой батарее (2) и изделии (3), использующем батарею.
  - Не разбирайте и не пытайтесь ремонтировать аккумуляторную батарею. Это может привести к возгоранию, перегреву или даже взрыву прибора.
  - Если время работы резко сократилось, прекратите работу. Продолжение работы может привести к перегреву, получению ожогов и даже взрыву.
  - При попадании электролита в глаза промойте их чистой водой и немедленно обратитесь за медицинской помощью. В противном случае это может привести к потере зрения.
  - Не закорачивайте аккумуляторную батарею.
  - Не храните и не используйте прибор и аккумуляторную батарею в местах, где температура может достигать или превышать 50 °C (122 °F).
  - Запрещается сжигать аккумуляторную батарею, даже если она сильно повреждена или полностью изношена. Аккумуляторная батарея может взорваться в огне.
  - Не прибивайте гвоздями, не режьте, не ломайте, не бросайте, не роняйте аккумуляторную батарею и не бейте по ней твердым предметом. Это может привести к возгоранию, перегреву или даже взрыву.
  - Запрещается использовать поврежденную батарею.
  - На литий-ионные батареи распространяются требования Законодательства об опасных грузах. При коммерческих перевозках, например, третьими лицами или транспортно-экспедиционными агентствами, необходимо соблюдать специальные требования к упаковке и маркировке. Для подготовки груза к отправке проконсультируйтесь с экспертом по опасным материалам. Кроме того, соблюдайте требования более подробных национальных нормативов. Оберните лентой или прикройте открытые контакты; расположите батарею в упаковке так, чтобы она лежала неподвижно.
  - Используйте батареи только в изделиях, указанных компанией Makita. Установка батарей в несовместимые изделия может привести к возгоранию, перегреву, взрыву или утечке электролита.
  - Если прибор не используется длительное время, извлеките из него батарею.
  - Аккумуляторная батарея может быть горячей во время и после использования, что может вызвать обычные или низкотемпературные ожоги. При обращении с горячей аккумуляторной батареей будьте особо осторожны.
  - Не касайтесь клемм прибора непосредственно после использования, так как они могут нагреться до такой степени, что могут вызвать ожоги.
  - Не допускайте попадания стружки, пыли или грязи в клеммы, отверстия и пазы аккумуляторной батареи. Это может привести к снижению производительности или поломке прибора или аккумуляторной батареи.

- Если прибор не предназначен для использования вблизи высоковольтных линий электропередач, не используйте аккумуляторную батарею в таких местах. Это может привести к неисправности или поломке прибора или аккумуляторной батареи.
- Батарею следует хранить в недоступном для детей месте.

## СОХРАНИТЕ ЭТИ ИНСТРУКЦИИ.

**⚠ ВНИМАНИЕ!** Используйте только оригинальные аккумуляторы Makita. Использование батарей от сторонних изготовителей или батарей с измененной конструкцией может привести к их разрыву и, как следствие, к возгораниям, травмам и повреждениям. Кроме того, это приведет к отмене гарантии Makita на прибор и зарядное устройство.

16. Советы по продлению срока службы батареи.
- Заряжайте аккумуляторную батарею, не дожидаясь полной разрядки. Всегда останавливайте работу инструмента и заряжайте аккумуляторную батарею, когда вы замечаете, что мощность инструмента падает.
  - Запрещается заряжать полностью заряженную батарею. Избыточный заряд сокращает срок службы батареи.
  - Заряжайте аккумуляторную батарею при температуре 10–40 °C (50–104 °F). Если аккумуляторная батарея горячая, подождите, пока она остынет, и заряжайте только после этого.
  - Извлеките аккумуляторную батарею из прибора или зарядного устройства, если она не используется.
  - Зарядите аккумуляторную батарею, если она не использовалась длительное время (более шести месяцев).

## ФУНКЦИОНАЛЬНОЕ ОПИСАНИЕ

**⚠ ВНИМАНИЕ!** Перед выполнением регулировок или проверкой исправности прибора убедитесь, что он выключен, а аккумуляторная батарея извлечена.

## Установка или извлечение аккумуляторной батареи (Fig. 2)

**⚠ ВНИМАНИЕ!** Всегда выключайте прибор перед установкой или извлечением аккумуляторной батареи.

**⚠ ВНИМАНИЕ:** При установке или извлечении аккумуляторной батареи надежно удерживайте прибор и аккумуляторную батарею. Прибор и аккумуляторная батарея могут выпасть из рук, что может привести к повреждению прибора и зарядного устройства батареи или к травме.

Чтобы установить аккумуляторную батарею, совместите язычок на ней с пазом в корпусе и вставьте батарею на место. Полностью вставьте батарею до щелчка. Если видно красный индикатор, как показано на рисунке, значит, он не заблокирован полностью.

Чтобы извлечь аккумуляторную батарею, вытащите ее из устройства, одновременно передвигая кнопку на передней части батареи.

### ⚠ ВНИМАНИЕ:

Устанавливайте аккумуляторную батарею полностью, чтобы красный индикатор не был виден. В противном случае она может выпасть из прибора и причинить травму.

### ⚠ ВНИМАНИЕ:

Не вставляйте аккумуляторную батарею с усилием. Если батарея не входит легко, значит вы устанавливаете ее неправильно.

## Индикация оставшейся емкости аккумулятора (Fig. 3)

Чтобы посмотреть оставшийся заряд батареи, нажмите на кнопку, расположенную на батарее. Индикаторы загорятся на несколько секунд.

Лампы индикаторов			Оставшийся заряд
Вкл	Выкл	Мигает	
■	□	◻	от 75% до 100%
■	■	□	от 50% до 75%
■	□	□	от 25% до 50%
■	□	□	от 0% до 25%
◻	□	□	Зарядите батарею.
■	■	□	Возможна неисправность батареи.
□	□	■	

### ПРИМЕЧАНИЕ:

В зависимости от условий эксплуатации и температуры окружающей среды индикация может незначительно отличаться от фактической емкости.

### ПРИМЕЧАНИЕ:

При срабатывании системы защиты батареи начинает мигать первый (крайний левый) индикатор.

## Система защиты прибора/батареи

Прибор оснащен системой защиты, которая автоматически отключает выходную мощность для сохранения длительного срока службы.

### Защита от переразряда

Когда емкость аккумулятора становится низкой, прибор автоматически отключается. В этом случае извлеките батарею из прибора и зарядите ее.

### Защита от других причин

Система защиты также разработана для устранения других причин, которые могут повредить прибор, система позволяет прибору автоматически останавливаться. При временной остановке или остановке работы прибора выполните все следующие шаги для устранения причин.

1. Выключите прибор, а затем снова включите его, чтобы перезапустить.
2. Зарядите батарею (-и) или замените её/их заряженной(-ыми) батареей(-ями).
3. Дайте прибору и батарее (-ям) остыть.

Если посредством восстановления системы защиты не удастся добиться улучшения, обратитесь в местный сервисный центр Makita.

## Включение фонаря и выбор режима яркости (Fig. 4)

### ⚠ ВНИМАНИЕ:

Не смотрите на прямой источник света.

1. Выключатель Последовательность режимов: Высокий режим (Вкл.) / Средний режим / Низкий режим / Выкл. для каждого нажатия.
2. Переключатель режимов: Последовательность включения света: Весь свет / фиксированная световая часть / Складная световая часть для каждого нажатия при включенном переключателе.

### ПРИМЕЧАНИЕ:

При включении прибора он вернется в работу в том же режиме освещения, что и при последнем использовании.

## Индикатор низкого заряда батареи (Fig. 5)

При разряде батареи светодиоды погаснут, за исключением одного светодиода, как показано на рисунке. Затем, примерно через 5-10 минут, прибор автоматически выключится.

## ЭКСПЛУАТАЦИЯ

### ⚠ ВНИМАНИЕ:

Поверните светодиодную панель и сложите складную световую часть, чтобы стабилизировать баланс прибора при установке его в вертикальное положение, как показано на fig.4. В противном случае прибор может упасть и привести к травмам.

## Угол наклона светодиодной панели (Fig. 6, Fig. 7)

### ⚠ ВНИМАНИЕ:

При регулировке угла освещения не прищипывайте пальцы.

### ⚠ ВНИМАНИЕ:

Убедитесь, что фиксированная и складная световые части надежно зафиксированы друг с другом в сложенном и разложенном положениях соответственно.

Светодиодную панель можно поворачивать семь раз с шагом на 45 градусов. (90 градусов вправо и 180 градусов влево)  
Складная световая часть может быть согнута на 0 или 180 градусов.

## Металлический крючок (Fig. 8)

При использовании металлического крючка поднимите и сдвиньте его в центральное положение.

## Ремешок (Fig. 9)

### ⚠ ВНИМАНИЕ:

Не используйте кольцо и отверстие для ремешка ни для каких других целей, кроме установки ремешка. В противном случае можно получить травмы.

Установите ремешок на прибор, как показано на рисунке.

## Установка крепежных зажимов на телескопический крючок (Fig. 10, Fig. 11)

### **ВНИМАНИЕ:**

Следите за тем, чтобы не прищемить пальцы при установке крепежных зажимов на телескопический крючок.

Установите крепежные зажимы на телескопический крючок, как показано на рисунке.

### **ПРИМЕЧАНИЕ:**

Убедитесь, что каждый крепежный зажим вставлен в фиксирующее отверстие для крепежного зажима на основной панели.

### **ПРИМЕЧАНИЕ:**

Убедитесь, что два крепежных зажима установлены в одном направлении.

## Установка прибора на телескопический крючок (Fig. 12)

Установите прибор на телескопический крючок с помощью крепежных зажимов, как показано на рисунке.

### **ПРИМЕЧАНИЕ:**

Убедитесь, что каждый крепежный зажим удерживает прибор в закрепленном положении.

## Монтажный телескопический крючок (Fig. 13)

### **ВНИМАНИЕ:**

Не вешайте на телескопический крючок ничего, кроме прибора. В противном случае крючки держателя могут быть повреждены, что может привести к травмам.

### **ВНИМАНИЕ:**

Перед использованием убедитесь, что каждая деталь надежно закреплена.

### **ВНИМАНИЕ:**

При монтаже телескопического крючка удерживайте основную панель и крючки держателя. Следите за тем, чтобы не прищемить руки и пальцы, так как внутренняя панель возвращается в исходное положение под действием пружин.

Возьмитесь за один крючок держателя, чтобы закрепить его в нужном месте.

Удерживайте другой крючок держателя, одновременно выдвигая телескопический крючок, чтобы закрепить его в нужном месте (с другой стороны).

Включите прибор и отрегулируйте его угол освещения, чтобы он освещал нужное место, как показано на рисунке.

### **ПРИМЕЧАНИЕ:**

Если вы используете тяжелую батарею, поворачивайте только светодиодную панель для регулировки угла освещения.

## ОБСЛУЖИВАНИЕ

### **ВНИМАНИЕ:**

Прежде чем пытаться выполнить осмотр или провести техническое обслуживание прибора, выключите его и извлеките аккумуляторную батарею.

### **ПРИМЕЧАНИЕ:**

Запрещается использовать бензин, бензол, растворитель, спирт и подобные вещества. Это может привести к потере цвета, деформации и трещинам.

Ремонт и любое другое техническое обслуживание или регулировка должны выполняться авторизованными или заводскими сервисными центрами Makita. При этом всегда должны использоваться оригинальные запасные части Makita. Это обеспечивает безопасность и надежность изделия.

## Чистка

### **ВНИМАНИЕ:**

Запрещается мыть прибор в воде. Время от времени протирайте внешнюю поверхность прибора (корпус прибора) тканью, смоченной в мыльной воде.

## ДОПОЛНИТЕЛЬНЫЕ АКСЕССУАРЫ

### **ВНИМАНИЕ:**

В данном руководстве указаны рекомендованные аксессуары и принадлежности для прибора Makita. Использование других аксессуаров или принадлежностей может привести к получению травм. Используйте аксессуары или принадлежности только по назначению.

Если вам требуется дополнительная информация о данных аксессуарах, обратитесь в местный сервисный центр Makita.

- Оригинальная батарея и зарядное устройство Makita

### **ПРИМЕЧАНИЕ:**

Некоторые элементы из списка могут входить в комплект прибора в качестве стандартных принадлежностей.

Комплект поставки может отличаться в разных странах.

## POLSKI (Instrukcja oryginalna)

1	Hak teleskopowy	2	Listwa świetlna LED	3	Przycisk	4	Kaseta akumulatorów	5	Czerwony wskaźnik	6	Lampki wskaźnikowe	7	Przycisk kontrolny	8	Stala część świetlna (LED-24 szt.)
9	Składana część świetlna (LED-18 szt.)	10	Przełącznik	11	Przełącznik trybu	12	Wskaźnik niskiego poziomu baterii	13	Część ruchoma	14	Metalowy hak	15	Pasek	16	Pierścień
17	Otwór na pasek	18	Otwór pozycjonujący klips nośny	19	Listwa główna	20	Listwa wewnętrzna	21	Klips nośny	22	Hak uchwytu	23	Pozycja klipsa		

## SPECYFIKACJA

Model:		DML818
Światło	Strumień świetlny (H/M/L)	1700 lm /800 lm /400 lm
	Wymiary (Dł. × Szer. × Wys.) (bez kasety akumulatorów)	975 mm × 80 mm × 101 mm
	Napięcie znamionowe	D.C. 14,4 V / 18 V
	Masa netto (bez kasety akumulatorów)	1,1 kg
Hak teleskopowy	Wymiary (Dł. × Szer. × Wys.) (z klipsami)	1181 mm × 99 mm × 259 mm
	Masa netto (z klipsami)	1,5 kg
	Dostępna szerokość *	1130 mm - 1900 mm

- Specyfikacja może się różnić w zależności od kraju.
- Z uwagi na stale prowadzony program badawczo-rozwojowy, przedstawiona tu specyfikacja może ulec zmianie bez uprzedzenia.
- \* Rzeczywista dostępna szerokość może się różnić w zależności od lokalizacji i kształtu.

## Właściwa kaseta akumulatorów i ładowarka

Kaseta akumulatorów	14,4 V	BL1415N / BL1430B / BL1440 / BL1460B
	18 V	BL1815N / BL1820B / BL1830B / BL1840B / BL1850B / BL1860B
Ładowarka	DC18RC / DC18RD / DC18RE / DC18SD / DC18SE / DC18SF / DC18SH / DC18WC	

- Niektóre z wymienionych powyżej kaset akumulatorów mogą być niedostępne w pewnych krajach.

**⚠ OSTRZEŻENIE:** Należy używać wyłącznie akumulatorów z powyższej listy. Użycie jakiegokolwiek innego akumulatora może być przyczyną obrażeń oraz/lub pożaru.

## Czas pracy

Właściwa kaseta akumulatorów	Czas pracy (przybliżony)		
	Całe oświetlenie (LED-42 szt.)		
	Wysokie	Średni	Niskie
BL1415N	1,0 godzin	2,2 godzin	4,0 godzin
BL1430B	1,6 godzin	3,5 godzin	7,0 godzin
BL1440	2,6 godzin	5,5 godzin	11 godzin
BL1460B	3,3 godzin	7,0 godzin	15 godzin
BL1815N	1,3 godzin	2,8 godzin	5,5 godzin
BL1820B	1,7 godzin	3,5 godzin	7,5 godzin
BL1830B	2,4 godzin	5,0 godzin	10 godzin
BL1840B	3,0 godzin	7,0 godzin	15 godzin
BL1850B	4,0 godzin	9,5 godzin	19 godzin
BL1860B	5,0 godzin	11 godzin	23 godzin

- Czasy pracy podane w powyższej tabeli są orientacyjne. Mogą się one różnić od rzeczywistych czasów pracy.
- Kaseta akumulatorów może się różnić w zależności od kraju.
- Czas pracy akumulatorów może się różnić w zależności od typu akumulatorów, stanu ich naładowania oraz warunków użytkowania.

## Symbole

Poniżej przedstawiono symbole, które mogą zostać użyte. Przed użyciem użytkownik powinien sprawdzić, czy rozumie ich znaczenie.



- Przeczytać instrukcję obsługi.



- Wyłącznie dla krajów Unii Europejskiej. Ze względu na obecność niebezpiecznych elementów w sprzęcie, zużyty sprzęt elektryczny oraz elektroniczny, akumulatory oraz baterie, mogą mieć negatywny wpływ na środowisko oraz ludzkie zdrowie. Nie wyrzucaj urządzeń elektrycznych oraz elektronicznych lub baterii razem z odpadami domowymi! Zgodnie z Dyrektywą Europejską w sprawie zużytego sprzętu elektronicznego i elektrycznego oraz w sprawie akumulatorów i baterii, oraz zużytych akumulatorów i baterii, jak również ich dostosowania do prawa krajowego, zużyty sprzęt elektroniczny powinien być przechowywany osobno i powinien zostać dostarczony do osobnego punktu zbiórki przeznaczonego dla odpadów komunalnych zgodnie z przepisami prawa o ochronie środowiska. Zostało to wskazane za pomocą symbolu przekreślonego kosza na kółkach znajdującego się na sprzęcie.



Ni-MH  
Li-ion



- Promieniowanie optyczne (w tym promieniowanie UV i podczerwone). Należy maksymalnie ograniczyć narażenie skóry i oczu.



- Nie należy patrzeć w stronę włączonej lampy.



- Używać odpowiedniej osłony lub ochrony oczu.



- Podjąć szczególne środki ostrożności i zachować uwagę!



- Tylko do użytku wewnętrznego

## WAŻNE WSKAZÓWKI DOTYCZĄCE BEZPIECZEŃSTWA

### OSTRZEŻENIE:

Aby zmniejszyć ryzyko obrażeń, nie należy patrzeć na pracujące urządzenie. Może dojść do poważnego urazu oczu.

### OSTRZEŻENIE:

Używając urządzenia należy zawsze przestrzegać wymienionych poniżej, podstawowych zasad bezpieczeństwa, pozwoli to zmniejszyć ryzyko pożaru, porażenia prądem elektrycznym i obrażeń ciała:

## NALEŻY PRZECZYTAĆ WSZYSTKIE INSTRUKCJE.

1. Aby zmniejszyć ryzyko obrażeń, konieczny jest ścisły nadzór, gdy urządzenie używane jest w pobliżu dzieci.
2. Aby zmniejszyć ryzyko porażenia prądem, nie należy wkładać urządzenia do wody lub innych płynów. Nie należy umieszczać ani przechowywać urządzenia w miejscach, w których może ono spaść lub zostać wciągnięte do wanny lub zlewu.
3. Nie przykrywać urządzenia tkaniną, kartonem itp. W przeciwnym razie może to doprowadzić do powstania płomienia.
4. Nie dotykać wnętrza urządzenia pęsetą, metalowymi narzędziami itp.

5. Nie narażać lampy na kontakt z deszczem lub śniegiem. Nie myć w wodzie.
6. Nie dotykać wnętrza urządzenia pęsetą, metalowymi narzędziami itp.
7. Nie dotykać gorących części.
8. Gdy urządzenie nie jest używane, wyłączyć je i wyjąć z niego kasetę akumulatorów.
9. Nie narażać urządzenia na wstrząsy przez upuszczenie, uderzenie itp.
10. Należy używać wyłącznie osprzętu zalecanego lub sprzedawanego przez producenta.
11. Nieużywany produkt należy przechowywać w pomieszczeniu. Przechowywać w miejscu niedostępnym dla dzieci.
12. Informacje dotyczące bezpiecznego korzystania z przenośnych urządzeń oświetleniowych zasilanych akumulatorami.
  - Akumulatory utylizować zgodnie z lokalnymi przepisami dotyczącymi utylizacji odpadów niebezpiecznych.
  - Nie wolno spalać akumulatorów.
13. Dodatkowe informacje dotyczące urządzeń oświetleniowych.
  - Źródło światła niniejszej oprawy jest niewymienne. Gdy źródło światła osiągnie koniec żywotności, to należy wymienić całą oprawę.
14. Używanie i konserwacja narzędzia akumulatorowego.
  - **OSTRZEŻENIE:** Zapoznać się z ostrzeżeniami dotyczącymi bezpieczeństwa i instrukcjami. Niezastosowanie się do ostrzeżeń bądź instrukcji może skutkować porażeniem prądem elektrycznym, pożarem i/lub odniesieniem poważnych obrażeń.
  - Zapobiegać przypadkowemu uruchomieniu. Przed podłączeniem do kasety akumulatorów, podnoszeniem lub przenoszeniem sprawdzić, czy przełącznik jest w położeniu „wyłączonym”. Przenoszenie urządzenia z palcem na przełączniku lub podłączanie do zasilania urządzenia, w którym przełącznik jest w położeniu „włączonym”, grozi ryzykiem wystąpienia wypadku.
  - Przed wykonaniem jakiegokolwiek regulacji, zmiany akcesoriów lub zakończeniem użytkowania lampy należy odłączyć od niej pakiet akumulatorów. Takie działania zapobiegawcze zmniejszają ryzyko przypadkowego uruchomienia lampy.
  - Do ładowania należy używać wyłączania ładowarki wyszczególnionej przez producenta. Ładowarka, która jest odpowiednia do kasety akumulatorów jednego typu, może stwarzać ryzyko pożaru, gdy zostanie użyta z kasetą akumulatorów innego typu.
  - Należy używać wyłącznie lamp z przeznaczonymi specjalnie do nich kasetami akumulatorów. Użycie innych kaset akumulatorów może stwarzać ryzyko obrażeń i pożaru.
  - Gdy kaseata akumulatorów nie jest używana, należy przechowywać ją z dala od innych przedmiotów metalowych, takich jak spinacze, monety, klucze, gwoździe, wkręty lub inne drobne przedmioty, które mogłyby utworzyć połączenie między biegunami. Zwieranie biegunów baterii może być przyczyną oparzeń użytkownika lub pożaru.
  - W przypadku niewłaściwego obchodzenia się z akumulatorem, może dojść do wydostania się z niego płynu; należy unikać kontaktu z tym płynem. Jeśli dojdzie do przypadkowego kontaktu z płynem z akumulatora, splukać wodą. Jeśli płyn dostanie się do oczu, zgłosić się do lekarza. Płyn, który wydostanie się z akumulatora może spowodować podrażnienie lub oparzenie.
  - Nie należy używać kaset akumulatorów lub lamp, które zostały uszkodzone lub zmodyfikowane. Uszkodzone lub zmodyfikowane akumulatory mogą zachowywać się w sposób nieprzewidywalny i spowodować pożar lub wybuch oraz stać się przyczyną obrażeń.
  - Nie narażać kaset akumulatorów lub lampy na działanie ognia lub wysokiej temperatury. Wystawienie na działanie ognia lub temperatury powyżej 130 °C (265 °F) może spowodować wybuch.

- Należy stosować się do wszystkich instrukcji ładowania i nie należy ładować kaset akumulatorów lub urządzenia przy temperaturze wykraczającej poza zakres wyszczególniony w instrukcji. Niewłaściwe ładowanie lub ładowanie w temperaturze wykraczającej poza wyszczególniony zakres może spowodować uszkodzenie akumulatora i zwiększyć ryzyko pożaru.
  - Lampa może być serwisowana tylko przez wykwalifikowanego specjalistę w zakresie napraw, który stosuje wyłącznie identyczne części zamienne. Gwarantuje to utrzymanie bezpieczeństwa pracy z produktem.
  - Nie należy modyfikować ani usiłować naprawiać lampy lub kasety akumulatorów z wyjątkiem sytuacji opisanych w instrukcji stosowania i konserwacji.
15. Ważne instrukcje bezpieczeństwa dotyczące kasety akumulatorów.
- Przed użyciem kasety akumulatorów należy zapoznać się z wszystkimi instrukcjami i znakami ostrzegawczymi umieszczonymi na (1) ładowarce, (2) akumulatorze, oraz (3) lampie zasilanej akumulatorem.
  - Nie wolno rozmontowywać ani modyfikować kasety akumulatorów. Może to spowodować pożar, nadmierne nagrzewanie się lub wybuch.
  - Jeśli czas działania znacznie się skróci, natychmiast przerwać użytkowanie lampy. W przeciwnym razie może dojść do przegrzania, możliwych poparzeń a nawet wybuchu.
  - Jeśli elektrolit dostanie się do oczu, należy przepłukać je czystą wodą i niezwłocznie zasięgnąć porady lekarskiej. Kontakt z elektrolitem może być przyczyną utraty wzroku.
  - Nie powodować zwarcia w kasecie akumulatorów.
  - Nie przechowywać urządzenia i kasety akumulatorów w miejscach, w których temperatura może osiągnąć lub przekroczyć 50 °C (122 °F).
  - Nie spalać kasety akumulatorów nawet, jeśli jest poważnie uszkodzona lub całkowicie zużyta. Kaseca akumulatorów wrzucona do ognia może wybuchnąć.
  - Nie wolno przebijać gwoździami, przecinać, zgniatać ani upuszczać kasety akumulatorów; nie należy jej także uderzać twardymi przedmiotami. Takie postępowanie może spowodować pożar, nadmierne nagrzewanie się lub wybuch.
  - Nie należy używać akumulatora, który jest uszkodzony.
  - Zastosowane w lampie akumulatory litowo-jonowe podlegają wymaganiom wynikającym z ustawy o towarach niebezpiecznych. W przypadku transportu komercyjnego, np. realizowanego przez strony trzecie, spedytorów, należy przestrzegać szczególnych wymagań dotyczących opakowania i etykietowania. Przy przygotowywaniu towaru do transportu wymagana jest konsultacja ze specjalistą ds. materiałów niebezpiecznych. Należy także stosować się do ewentualnie bardziej szczegółowych przepisów krajowych. Należy zakleić taśmą lub zabezpieczyć otwarte styki i zapakować akumulator tak, aby nie przesunął się w opakowaniu.
  - Akumulatorów należy używać wyłącznie z produktami wyszczególnionymi przez spółkę Makita. Umieszczenie akumulatorów w niezgodnych urządzeniach może być przyczyną pożaru, przegrzewania się, wybuchu lub wypływu elektrolitu.
  - Jeśli urządzenie ma być przez dłuższy czas nieużywane, należy wyjąć z niego akumulator.
  - Podczas użytkowania i po jego zakończeniu kaseca akumulatorów może się nagrzewać, co może być przyczyną odniesienia oparzeń, w tym niskotemperaturowych. Należy zachować ostrożność podczas obchodzenia się z gorącymi akumulatorem.
  - Nie wolno dotykać złączy narzędzia bezpośrednio po zakończeniu użytkowania, ponieważ mogą one być na tyle gorące, że kontakt z nimi spowoduje oparzenia.
  - Uważać, aby odłamki, kurz i brud nie przykleiły się do styków, otworów lub zagłębień w kasecie akumulatorów. Może to skutkować obniżeniem wydajności pracy lub awarią narzędzia bądź kasety akumulatorów.

- Nie używać kasety akumulatorów w pobliżu linii wysokiego napięcia, jeśli takie użycie nie jest dozwolone. Może to skutkować wadliwym działaniem lub awarią narzędzia bądź kasety akumulatorów.
- Przechowywać akumulatory z dala od dzieci.

## NALEŻY ZACHOWAĆ TĘ INSTRUKCJĘ.

**⚠ OSTRZEŻENIE:** Używać tylko oryginalnych akumulatorów Makita. Użytkowanie nieoryginalnych akumulatorów lub akumulatorów, które zostały zmodyfikowane, może być przyczyną ich wybuchu i w konsekwencji pożaru, obrażeń ciała użytkownika i szkód materialnych. Spowoduje także unieważnienie gwarancji Makita na urządzenie i ładowarkę Makita.

16. Wskazówki pozwalające na maksymalnie długą eksploatację akumulatora.
- Ładować kasetę akumulatorów zanim ulegnie całkowitemu rozładowaniu. W przypadku zauważenia spadku mocy narzędzia zawsze należy je wyłączyć i naładować akumulator.
  - Nigdy nie ładować w pełni naładowanej kasety akumulatorów. Nadmierne ładowanie skraca okres eksploatacji akumulatorów.
  - Kasetę akumulatorów należy ładować w temperaturze pokojowej, tj. 10 °C - 40 °C (50 °F - 104 °F). Przed rozpoczęciem ładowania akumulatora należy poczekać, dopóki nie ostygnie.
  - Gdy kaseca akumulatorów nie jest używana, wyjąć ją z narzędzia lub ładowarki.
  - Jeśli kaseca akumulatorów nie była używana przez długi czas (ponad sześć miesięcy), należy ją naładować.

## OPIS FUNKCJI

**⚠ OSTRZEŻENIE:** Przed przeprowadzeniem regulacji lub sprawdzeniem działania funkcji urządzenia zawsze sprawdzić, czy zostało ono odłączone od zasilania, a kaseca akumulatorów wyjęta.

## Montaż i demontaż akumulatora (Fig. 2)

**⚠ OSTRZEŻENIE:** Przed zainstalowaniem lub wyjęciem kasety akumulatora należy zawsze wyłączyć urządzenie.

**⚠ OSTRZEŻENIE:** **Wkładając lub wyjmując kasetę akumulatorów należy mocno trzymać zarówno lampę, jak i kasetę.** Jeśli użytkownik nie będzie trzymać mocno lampy i kasety akumulatorów, mogą wyslizgnąć się z jego rąk i ulec uszkodzeniu, mogą także spowodować uszkodzenie ciała użytkownika.

Aby zamontować kasetę akumulatorów, należy ustawić wypustkę kasety akumulatorów w jednej linii z rowkiem w obudowie i wsunąć ją na miejsce. Włożyć ją do końca, dopóki nie zablokuje się we właściwej pozycji. Jeśli widać czerwony wskaźnik tak jak na rysunku, to nie jest on całkowicie zablokowany. W celu wyjęcia kasety akumulatorów wysunąć ją z lampy, przesuwając jednocześnie przycisk z przodu kasety.

### **⚠ OSTRZEŻENIE:**

Zawsze należy wkładać kasetę akumulatora do końca, tak, aby nie było widać czerwonego wskaźnika. Jeśli kaseta nie zostanie włożona do końca, może przypadkowo wypaść z lampy, powodując obrażenia u użytkownika lub kogoś w pobliżu.

### **⚠ OSTRZEŻENIE:**

Nie należy wkładać kasety akumulatorów „na siłę”. Jeśli kaseta nie wsuwa się bez oporu, to znaczy, że jest wkładana nieprawidłowo.

## Wskazanie pozostałej pojemności baterii (Fig. 3)

Nacisnąć przycisk kontrolny na kasecie akumulatora, aby uzyskać informację o stopniu wyładowania akumulatora. Lampki wskaźnikowe zapalają się na kilka sekund.

Lampki wskaźnikowe			Poziom naładowania
Podświetlenie	Wyłączone	Miganie	
■	□	▣	
■ ■ ■ ■			75% do 100%
■ ■ ■ □			50% do 75%
■ ■ □ □			25% do 50%
■ □ □ □			0% do 25%
▣ □ □ □			Należy naładować akumulator.
■ □ □ □	↑ ↓	□ □ ■ ■	Akumulator mógł działać nieprawidłowo.

### **UWAGA:**

W zależności od warunków użytkowania oraz temperatury, wskazywany poziom naładowania może nieco różnić się od rzeczywistego poziomu naładowania.

### **UWAGA:**

Gdy układ zabezpieczenia akumulatora działa, pierwszy (znajdujący się na końcu po lewej) wskaźnik miga.

## System ochrony maszyny / akumulatora

Urządzenie jest wyposażone w system zabezpieczający, który automatycznie odcina zasilanie dla zapewnienia długiej żywotności.

### Ochrona przed nadmiernym wyładowaniem

Gdy poziom naładowania akumulatora jest niewystarczający, urządzenie automatycznie przerywa pracę. W takim przypadku należy wyjąć akumulator z urządzenia i naładować go.

### Zabezpieczenie przed innymi przyczynami

System zabezpieczenia został również zaprojektowany biorąc również pod uwagę inne kwestie, które mogą uszkodzić urządzenie i umożliwia automatyczne zatrzymanie urządzenia. Podejmij następujące kroki, aby usunąć przyczyny, gdy urządzenie zostało tymczasowo zatrzymane lub przestało działać.

1. Wyłącz urządzenie, a następnie włącz je ponownie, aby je zrestartować.
2. Naładuj baterię/baterie lub wymień ją/je na naładowaną baterię/baterie.
3. Pozwól urządzeniu oraz baterii(iom) odpocząć.

Jeżeli nie doszło do poprawy po przywróceniu systemu zabezpieczeń, to prosimy o skontaktowanie się z Twoim lokalnym Centrum Serwisowym Makita.

## Włączanie oświetlenia i wybór trybu jasności (Fig. 4)

### **⚠ OSTRZEŻENIE:**

Nie patrzeć w światło ani bezpośrednio w źródło światła.

1. Przełącznik: Sekwencja jasności: Tryb wysoki (włączony) / tryb średni / tryb niski / wyłączony przy kolejnym naciśnięciu.
2. Przełącznik trybu: Sekwencja podświetlenia jest następująca: Przy kolejnych naciśnięciach jest to odpowiednio Pełne światło / Stała część świetlna / Składana część świetlna.

### **UWAGA:**

Po włączeniu urządzenia zostanie ono włączone w tym samym trybie oświetlenia, co podczas ostatniego użycia.

## Wskaźnik niskiego poziomu baterii (Fig. 5)

Gdy poziom baterii jest niski, diody LED gasną z wyjątkiem jednej diody LED tak, jak pokazano to na ilustracji. Po około pięciu do dziesięciu minutach urządzenie wyłączy się automatycznie.

## OBSŁUGA

### **⚠ OSTRZEŻENIE:**

Obrócić listwę świetlną LED i złożyć składaną część świetlną, aby ustabilizować urządzenie po ustawieniu go w pozycji pionowej, jak pokazano na fig. 4. W przeciwnym razie urządzenie może się przewrócić i spowodować obrażenia ciała.

## Kąt nachylenia listwy świetlnej LED (Fig. 6, Fig. 7)

### **⚠ OSTRZEŻENIE:**

W czasie regulacji należy uważać, aby nie przyciąć sobie palca(-ów).

### **⚠ OSTRZEŻENIE:**

Upewnić się, że stała i składana część świetlna są mocno zablokwane zarówno w pozycji złożonej i rozłożonej.

Listwa świetlna LED może być obracana w siedmiu stopniach co 45°. (90° w prawo i 180° w lewo) Składana część świetlna może być wygięta pod kątem 0° lub 180°.

## Hak Metalowy (Fig. 8)

Podczas korzystania z metalowego haka należy podnieść i przesunąć go do pozycji środkowej.

## Pasek (Fig. 9)

### ⚠ OSTRZEŻENIE:

Nie używać pierścienia i otworu na listwie do celów innych niż montaż listwy. W przeciwnym wypadku może dojść do uszkodzenia ciała.

Zamontować listwę na urządzeniu zgodnie z ilustracją.

## Montaż klipsów nośnych w haku teleskopowym (Fig. 10, Fig. 11)

### ⚠ OSTRZEŻENIE:

Należy uważać, aby nie przytrzasnąć palców podczas montażu klipsów nośnych w haku teleskopowym.

Zamontować klipsy nośne w haku teleskopowym zgodnie z ilustracją.

### UWAGA:

Upewnić się, że każdy klips nośny jest wsunięty do otworu pozycjonującego klips nośny na głównej listwie.

### UWAGA:

Upewnić się, że dwa klipsy nośne są zamontowane w tym samym kierunku.

## Montaż urządzenia na haku teleskopowym (Fig. 12)

Zamontować urządzenie na haku teleskopowym za pomocą klipsów nośnych, jak pokazano na ilustracji.

### UWAGA:

Upewnić się, że każdy klips nośny utrzymuje urządzenie w pozycji przypiętej.

## Montaż haka teleskopowego (Fig. 13)

### ⚠ OSTRZEŻENIE:

Na haku teleskopowym nie wolno wieszać niczego poza urządzeniem. W przeciwnym razie może dojść do uszkodzenia haków uchwytu i obrażeń ciała.

### ⚠ OSTRZEŻENIE:

Przed użyciem należy upewnić się, że każda część jest dobrze zamocowana.

### ⚠ OSTRZEŻENIE:

Podczas montażu haka teleskopowego należy przytrzymać listwę główną i haki uchwytu. Należy uważać, aby nie przytrzasnąć sobie rąk i palców, ponieważ wewnętrzna listwa powraca do swojej pierwotnej pozycji pod wpływem siły sprężyn.

Przytrzymać jeden hak uchwytu tak, aby zamontować go w wybranym miejscu.

Przytrzymać drugi hak uchwytu, jednocześnie wysuwając hak teleskopowy tak, aby zamontować go w żądanym miejscu (po drugiej stronie).

Włączyć urządzenie i wyregulować kąt podświetlenia urządzenia, aby oświetlić żądaną lokalizację, jak pokazano to na ilustracji.

### INFORMACJA:

Jeśli używany jest ciężki akumulator, należy obrócić tylko listwę świetlną LED, aby wyregulować kąt oświetlenia.

## KONSERWACJA

### ⚠ OSTRZEŻENIE:

Przed przystąpieniem do kontroli lub konserwacji zawsze upewnić się, że urządzenie jest wyłączone, a kasetka akumulatora wyjęta.

### INFORMACJA:

Nigdy nie używać etyliny, benzyny, rozcieńczalnika, alkoholu itp. Środki te mogą spowodować odbarwienie, deformację lub pęknięcia.

W celu zachowania BEZPIECZEŃSTWA i utrzymania NIEZAWODNOŚCI produktu, naprawy, wszelkie inne czynności konserwacyjne lub regulacje powinny być wykonywane przez autoryzowane centra serwisowe Makita lub fabryczne centra serwisowe, zawsze z wykorzystaniem części zamiennych Makita.

## Czyszczenie

### ⚠ OSTRZEŻENIE:

Nigdy nie należy myć lampy wodą. Od czasu do czasu należy przetrzeć zewnętrzną część urządzenia (korpus urządzenia) szmatką zwilżoną wodą z mydłem.

## AKCESORIA OPCJONALNE

### ⚠ OSTRZEŻENIE:

Niniejsze akcesoria i osprzęt są zalecane do użytku z urządzeniem Makita, opisanym w niniejszej instrukcji. Użycie jakichkolwiek innych akcesoriów lub osprzętu może powodować ryzyko obrażeń ciała. Akcesoria i osprzęt mogą być używane wyłącznie zgodnie z przeznaczeniem.

W sprawie dodatkowych informacji na temat tych akcesoriów należy zwracać się do lokalnego centrum serwisowego Makita.

- Oryginalne akumulator i ładowarka Makita

### UWAGA:

Niektóre elementy z listy mogą być dołączone do zestawu urządzenia jako standardowe akcesoria. Mogą się one różnić w zależności od kraju.



## MAGYAR (Eredeti utasítások)

1	Teleszkópos horog	2	LED-es sávfény	3	Gomb	4	Akkumulátor	5	Piros jelzőfény	6	Jelzőlámpa	7	Ellenőrzés gomb	8	Rögzített fényrész (LED-24 db)
9	Összecsukható fényrész (LED-18 db)	10	Kapcsoló	11	Módválasztó	12	Alacsony töltöttségi szint jelzője	13	Mozgatható rész	14	Fémhorog	15	Pánt	16	Gyűrű
17	Hordszj rögzítőfül	18	Hordozó klipsz pozicionáló furat	19	Fő rúd	20	Belső rúd	21	Hordozó klipsz	22	Tartóhorog	23	Megvágott pozíció		

## MŰSZAKI ADATOK

Modell:		DML818
Fény	Fényáram (H/M/L)	1 700 lm /800 lm /400 lm
	Méret (Ho × Szé × Ma) (akkumulátor nélkül)	975 mm × 80 mm × 101 mm
	Névleges feszültség	DC 14,4 V / 18 V
	Nettó tömeg (akkumulátor nélkül)	1,1 kg
Teleszkópos horog	Méret (Ho × Szé × Ma) (klipszekkel)	1 181 mm × 99 mm × 259 mm
	Nettó tömeg (klipszekkel)	1,5 kg
	Rendelkezésre álló szélesség *	1 130 mm - 1 900 mm

- A műszaki adatok országonként eltérhetnek.
- Folyamatos kutatási és fejlesztési programunk következtében az útmutatóban feltüntetett adatok előzetes értesítés nélkül megváltozhatnak.
- \* A ténylegesen rendelkezésre álló szélesség a helytől és a formától függően eltérhet.

## Felhasználható akkumulátortípusok és töltő

Akkumulátor	14,4 V	BL1415N / BL1430B / BL1440 / BL1460B
	18 V	BL1815N / BL1820B / BL1830B / BL1840B / BL1850B / BL1860B
Töltő	DC18RC / DC18RD / DC18RE / DC18SD / DC18SE / DC18SF / DC18SH / DC18WC	

- Előfordulhat, hogy a fent felsorolt akkumulátortípusok némelyike bizonyos térségekben nem elérhető.

**⚠ FIGYELMEZTETÉS:** Kizárólag a fent felsorolt akkumulátorokat használja. Bármilyen egyéb akkumulátor használata sérülést és/vagy tüzet okozhat.

## Működési idő

Felhasználható akkumulátortípusok	Működési idő (hozzávetőleges érték)		
	Teljes fény (LED-42 db)		
	High (nagy fényerejű) mód	Médium	Low (kis fényerejű) mód
BL1415N	1,0 óra	2,2 óra	4,0 óra
BL1430B	1,6 óra	3,5 óra	7,0 óra
BL1440	2,6 óra	5,5 óra	11 óra
BL1460B	3,3 óra	7,0 óra	15 óra
BL1815N	1,3 óra	2,8 óra	5,5 óra
BL1820B	1,7 óra	3,5 óra	7,5 óra
BL1830B	2,4 óra	5,0 óra	10 óra
BL1840B	3,0 óra	7,0 óra	15 óra
BL1850B	4,0 óra	9,5 óra	19 óra
BL1860B	5,0 óra	11 óra	23 óra

- A fenti táblázatban felsorolt működési idők csak hozzávetőleges megközelítések. Különbözhetnek a tényleges működési időtől.
- Az akkumulátor országonként változhat.
- A működési idő az akkumulátor típusától és töltöttségi állapotától, valamint a felhasználási módtól függően eltérhet.

## Szimbólumok

Az alábbiakban a berendezésekhez való használható szimbólumokat mutatja be. Használat előtt sajátítsa el a következő szimbólumok jelentéseit.



- Olvassa végig a Használati útmutatót.



- Csak az EU-országok számáraA veszélyes alkatrészek jelenléte miatt a berendezésben, az elektromos és elektronikus berendezések hulladékai, és az akkumulátorok hulladékai negatív hatással lehetnek a környezetre és az emberi egészségre. Ne dobja ki az elektromos és elektronikus berendezéseket vagy akkumulátorokat a háztartási hulladékkal együtt! Az elektromos és elektronikus berendezések hulladékairól, valamint az elemekről és akkumulátorokról, valamint a hulladékelemekről és -akkumulátorokról szóló európai irányelvek szerint, az elektromos berendezések hulladékait, és az akkumulátorok hulladékait külön kell tárolni, és egy külön gyűjtőhelyre kell szállítani a környezetvédelmi előírásoknak megfelelően. Ezt jelzi a berendezésre helyezett áthúzott kerekes kuka szimbóluma.



- Optikai sugárzás (ultraibolya és infravörös sugárzás). A szem vagy a bőr kitétsége minimális szintűre csökkentendő.



- Soha ne nézzen a bekapcsolt lámpa fénysugarába!



- Használjon megfelelő árnyékolást vagy szemvédő eszközt.



- Különös gondosságot és figyelmet igényel!



- Kizárólag beltéri használatra

## FONTOS BIZTONSÁGI ELŐÍRÁSOK

### ⚠ FIGYELMEZTETÉS:

A sérülésveszély csökkentése érdekében ne bámolja a működő készülékeket. Súlyos szemsérülést okozhat.

### ⚠ FIGYELEM:

A különböző készülékek használatakor mindig be kell tartani az alapvető biztonsági óvintézkedéseket a tűz, áramütés és személyi sérülések kockázatának csökkentése érdekében, különösen az alábbiakat:

## OLVASSA VÉGIG A BIZTONSÁGI ELŐÍRÁSOKAT.

1. A sérülésveszély csökkentése érdekében szoros felügyeletre van szükség, ha a készüléket gyermekek közelében használják.
2. Az áramütés veszélyének csökkentése érdekében ne tegye a készüléket vízbe vagy más folyadékba. Ne helyezze vagy tárolja a készüléket olyan helyen, ahol kádba vagy mosogatóba eshet vagy behúzódhat.
3. Ne takarja le a készüléket ruhával, kartonnal stb. Ellenkező esetben lángot okozhat.
4. Csipesszel, fém szerszámmal stb. ne nyúljon a készülék belsejébe.
5. Ne tegye ki a készüléket eső vagy hó hatásának! Ne mossa le vízzel.
6. Csipesszel, fém szerszámmal stb. ne nyúljon a készülék belsejébe.
7. Ne érintkezzen forró alkatrészekkel.
8. Ha nem használja, mindig kapcsolja ki a készüléket, és vegye ki az akkumulátort a készülékből.
9. Óvja a készüléket a fizikai behatásoktól, pl. ne ejtse le, ne üsse neki semminek stb.
10. Csak a gyártó által ajánlott vagy forgalmazott tartozékokat használjon.
11. A terméket használaton kívül zárt térben tárolja. Gyermekek elől elzárva kell tartani.
12. Biztonsági információ az akkumulátoros, hordozható fényforrásokhoz.
  - Az akkumulátorok ártalmatlanítását minden esetben a helyi előírásoknak megfelelően végezze, amelyek tartalmazzák a veszélyes anyagokra vonatkozó utasításokat is.
  - Az akkumulátorokat ne dobja tűzbe.
13. Fényforrásokkal kapcsolatos egyéb információk.
  - Ennek a lámpatestnek a fényforrása nem cserélhető. Amikor a fényforrás eléri élettartamának végét, az egész lámpatestet ki kell cserélni.
14. Akkumulátoros készülék használata és ápolása.
- FIGYELMEZTETÉS: Olvassa el a biztonsági figyelmeztetéseket és előírásokat. Amennyiben a közölt figyelmeztetéseket és előírásokat nem tartja be, áramütést szenvedhet, illetve tüzet és/vagy súlyos sérülést okozhat.
- Gondoskodjon a véletlenszerű bekapcsolással szembeni védelemről. Az akkumulátortelep csatlakoztatása, és a készülék felemelése vagy áthelyezése előtt győződjön meg róla, hogy Off (Ki) helyzetbe állította a kapcsolót. A készülék kapcsolóra helyezett ujjal történő hordozása, vagy bekapcsolt kapcsolóval való feszültség alá helyezése balesetet okozhat.
- A beállítások elvégzése, a kiegészítők kicserélése vagy a készülék tárolása előtt válassza le az akkumulátortelepet a készülékről. Az ilyen, megelőző jellegű biztonsági intézkedések csökkentik a készülék véletlenszerű bekapcsolásának kockázatát.
- Kizárólag a gyártó által megadott töltővel végezze el a feltöltést. Az egyes akkumulátortelep töltésére alkalmas töltő tűzveszélyt okozhat, ha azt eltérő típusú akkumulátortelep feltöltésére használják.
- A készüléket kizárólag előírt típusú akkumulátorteleppel használja. Bármilyen egyéb akkumulátortelep használata sérülés- és tűzveszélyt okozhat.
- Tartsa távol a használaton kívüli akkumulátortelepet más fémtárgyaktól, például gemkapcsoktól, érméktől, kulcsoktól, szögektől, csavaroktól vagy az egyes csatlakozók közötti kapcsolat létrehozására alkalmas, apróbb méretű egyéb fémtárgyaktól. Az akkumulátorcsatlakozók rövidre zárása égési sérülést vagy tüzet okozhat.
- Nem megfelelő körülmények között folyadék áramolhat ki az akkumulátorból; kerülje az azzal való érintkezést. Véletlenszerű érintkezés esetén öblítse le vízzel. Ha a folyadék szembe kerül, haladéktalanul forduljon orvoshoz. Az akkumulátorból kilépő folyadék irritációt vagy égési sérülést okozhat.
- Ne használjon sérült vagy módosított akkumulátortelepet, illetve készüléket! A sérült vagy módosított akkumulátorok működése kiszámíthatatlanná válhat, ami tüzet, robbanást vagy sérülést okozhat.
- Ne tegye ki az akkumulátortelepet, illetve a készüléket tűz vagy túlságosan nagy hőmérséklet hatásának! A tűznek vagy 130 °C (265 °F) feletti hőmérsékletnek való kitétségnél robbanást okozhat.

- Maradéktalesan tartsa be a töltesel kapcsolatos előírásokat, és ne töltsa az akkumulátortelepet vagy a készüléket a megadott hőmérsékleti tartományon kívül. A szakszerűtlen vagy a megadott hőmérsékleti tartományon kívüli töltes károsíthatja az akkumulátort, és fokozhatja a tűzveszélyt.
  - A készülék szerelése kizárólag szakképzett szerelővel és az eredeti alkatrészekkel megegyező pótalkatrészek felhasználásával végezteshető el. Ily módon garantálható a készülék további biztonságos használata.
  - Az útmutatónak a készülék használataával és gondozásával kapcsolatos előírásainál feltüntetetteken kívül semmilyen egyéb módosítást vagy javítást ne végezzen a készüléken, illetve az akkumulátortelepen!
15. Akkumulátorral kapcsolatos fontos biztonsági előírások.
- Az akkumulátor használata előtt olvassa el az (1) akkumulátortöltőn, az (2) akkumulátoron és az (3) akkumulátorral műköteshető terméken feltüntetett utasításokat és figyelmeztető jelzéseket.
  - Ne szerelje szét vagy alakítsa át az akkumulátort! Ellenkező esetben tűz, erős hőfejlődés vagy robbanás keletkezhet.
  - A működési idő túlságosan nagymértékű lerövidülése esetén haladéktalanul hagyjon fel az érintett akkumulátor használataával. Ellenkező esetben túlmelegedhet az eszköz, égési sérüléseket szenvedhet, vagy akár robbanás történhet.
  - Ha az elektrolit a szemébe kerül, öblítse ki tiszta vízzel, és haladéktalanul forduljon orvoshoz. Ellenkező esetben akár a látását is elveszíthesi.
  - Ne zárja rövidre az akkumulátort!
  - Ne tárolja és használja a készüléket, illetve az akkumulátort olyan helyen, ahol a hőmérséklet elérheti vagy meghaladhatja az 50 °C-ot (122 °F).
  - Az akkumulátort még abban az esetben se égesse el, ha azt komoly kár érte vagy teljes mértékben elhasználdott! Tűz hatására az akkumulátor felrobbanhat.
  - Ne szúrja át, hasítsa fel, zúzza össze, dobálja vagy ejtsa le az akkumulátort, illetve ne üsse neki kemény tárgyaknak. Ellenkező esetben tűz, erős hőfejlődés vagy robbanás keletkezhet.
  - Ne használjon sérült akkumulátort!
  - A lítium-ion tartalmú akkumulátorok a veszélyes árukat szabályozó nemzetközi jogszabályok hatálya alá tartoznak. Kereskedelmi célú – például harmadik felek vagy szállítványozók általi – szállítás esetén a csomagolásra és a címkézésre vonatkozó különleges követelmények is betartandók. A szállítandó árucikk szakszerű előkészítése érdekében szállítás előtt egyezteszen veszélyes anyagokkal foglalkozó szakemberrel. Ezenkívül az általában részletesebb szabályozást nyújtó állami jogszabályi rendelkezések is figyelembeveendőek. Ragassza le vagy fedje le a nyitott érintkezőket, és úgy csomagolja be az akkumulátort, hogy az ne mozduhasson el a csomagoláson belül.
  - Az akkumulátorokat kizárólag a Makita által meghatározott termékekben használja fel. Az akkumulátorok nem megfelelő termékekbe történő behelyezése és használata tűzet, túlzott mértékű hőképződést, robbanást vagy elektrolitszivárgást okozhat.
  - Ha előreláthatólag hosszabb ideig nem használja majd a készüléket, távolítsa el belőle az akkumulátort.
  - Használat közben és után az akkumulátor hőt bocsájthat ki, ami égési sérüléseket vagy alacsony hőmérsékletű égési sérüléseket okozhat. Legyen óvatos, ha a még meleg akkumulátort kezeli.
  - Használat után ne érintse meg a készülék érintkezőjét, mivel az meleg lehet és égési sérülést okozhat.

- Ügyeljen arra, hogy az akkumulátor érintkezőin, nyílásaiban és hornyáiban ne halmozódjon fel forgács, por vagy egyéb szennyeződés. Ez az eszköz vagy az akkumulátor teljesítménycsökkenését, vagy meghibásodását okozhatja.
- Ha az eszköz nem támogatja a nagyfeszültségű távvezetékek közelében történő használatot, ne használja az akkumulátort nagyfeszültségű távvezetékek közelében. Ez az eszköz vagy az akkumulátor meghibásodását okozhatja.
- Az akkumulátort tartsa távol gyermekektől.

## ŐRIZZE MEG A JELEN ÚTMUTATÓT.

**⚠ FIGYELEM!** Kizárólag eredeti Makita akkumulátorokat használjon. A Makitától eltérő gyártmányú, vagy átalakított akkumulátorok használata esetén robbanás keletkezhet, ami tűzet, személyi sérüléseket és károkat okozhat. Ezen túlmenően a Makita gyártmányú készülékre és töltőre vonatkozó Makita garancia érvénytelenné válását is maga után vonja.

16. Tanácsok az akkumulátor élettartamának meghosszabbításához.

- Töltsa fel az akkumulátort, mielőtt az teljesen lemerülne.  
Soha ne műkötesse tovább a készüléket és mindig töltsa fel az akkumulátort, ha a készülék teljesítményének csökkenését észleli.
- Soha ne töltsa az akkumulátort, ha azt teljes mértékben feltöltötték!  
A túltöltés lerövidíti az akkumulátor hasznos élettartamát.
- 10 °C és 40 °C (50 °F és 104 °F) közötti szobahőmérsékleten végezze el az akkumulátor feltöltését. Ha az akkumulátor felforrósodott, a töltése előtt várja meg, amíg az megfelelően lehűl.
- Ha nem használja az akkumulátort, vegye ki az eszközből vagy a töltőből.
- Ha előreláthatólag huzamosabb (hat hónapnál hosszabb) ideig nem használja majd a készüléket, töltsa fel az akkumulátort.

## A KÉSZÜLÉK MŰKÖDÉSE ÉS FUNKCIÓI

**⚠ FIGYELEM!**

A készülék beállítása vagy működésének ellenőrzése előtt mindig győződjön meg arról, hogy kikapcsolta a készüléket és eltávolította az akkumulátort.

## Az akkumulátor behelyezése vagy eltávolítása (Fig. 2)

**⚠ FIGYELEM!**

Mindig kapcsolja ki a készüléket, mielőtt behelyezi vagy kiveszi az elemtartályt.

**⚠ FIGYELEM:**

**Az akkumulátor behelyezésekor, illetve eltávolításakor tartsa szorosan a készüléket és az akkumulátort.**

Ha nem tartja elég szorosan a készüléket és az akkumulátort, azok kicsúszhatnak a kezéből, készülék-, illetve akkumulátorkárosodást és személyi sérülést okozva ezzel.

Az akkumulátor behelyezéséhez helyezze az akkumulátort a burkolaton található horonnyal egy vonalba, és csúsztassa a helyére. Teljes mértékben illessze be, amíg egy kattintással a helyére nem rögzül. Ha az ábrán látható piros jelzőt meglátja, akkor az nincs teljesen lezárva.

Az eltávolításhoz csúsztassa ki a készülékből az akkumulátort, miközben az akkumulátor elülső részén található gombot elcsúsztatja.

#### ⚠ FIGYELEM:

Az akkumulátor akkor van helyesen behelyezve, ha a piros jelzőfény már nem látható. Ellenkező esetben véletlenszerűen kieshet a készülékből, sérülést okozva ezzel Önnek vagy a közelben tartózkodóknak.

#### ⚠ FIGYELEM:

Ne fejtse ki túlzott mértékű erőhatást az akkumulátor behelyezésekor! Ha az akkumulátor nem csúszik be könnyedén a helyére, akkor azt helytelen módon helyezték be.

### Az akkumulátor fennmaradó töltöttségi állapotának kijelzése (Fig. 3)

Az akkumulátor töltöttségi állapotának ellenőrzéséhez nyomja meg az akkumulátoron található Ellenőrzés gombot. A jelzőfények néhány másodpercre felvillannak.

Jelzőfények			Töltöttségi állapot
Világít	Kialszik	Villog	
■ ■ ■ ■	□ □ □ □	▬	75% - 100%
■ ■ ■ □	□ □ □ □	▬	50% - 75%
■ ■ □ □	□ □ □ □	▬	25% - 50%
■ □ □ □	□ □ □ □	▬	0% - 25%
▬ □ □ □	□ □ □ □	▬	Töltse fel az akkumulátort.
■ ■ □ □	□ □ □ □	▬	Meghibásodott az akkumulátor.

#### MEGJEGYZÉS:

A felhasználási körülményektől és a környezeti hőmérséklettől függően a kijelzés kissé eltérhet a töltöttség tényleges állapotától.

#### MEGJEGYZÉS:

Az első (bal szélső) jelzőfény villog, amikor az akkumulátorvédő rendszer bekapcsol.

### Készülék / akkumulátor-védő rendszer

A készülék védelmi rendszerrel van felszerelve, amely a hosszú élettartam érdekében automatikusan kikapcsolja a kimenő teljesítményt.

#### Túlmerülés elleni védelem

Ha az akkumulátor kapacitása nem elégséges, a készülék automatikusan leáll. Ebben az esetben vegye ki az akkumulátort a készülékből, és töltsen fel.

#### Védelem más okok ellen

A védelmi rendszert más okokra is tervezték, amelyek károsíthatják a készüléket, és lehetővé teszik a készülék automatikus leállítását. A következőket tegye az okok megszüntetésére, ha a készüléket ideiglenesen leállították vagy leállították.

1. Kapcsolja ki a készüléket, majd kapcsolja be mégegyszer az újraindításhoz.
2. Töltsen fel az akkumulátor(oka)t, vagy cserélje ki újratöltött akkumulátorokkal.
3. Hagyja lehűlni a készüléket és az akkumulátort.

Ha nem javul a védelmi rendszer visszaállításával, forduljon a helyi Makita szerviz-központoz.

### A lámpa bekapcsolása és a kívánt fényerő mód kiválasztása (Fig. 4)

#### ⚠ FIGYELEM:

Ne nézzen a lámpába vagy közvetlenül a fényforrásba.

1. Kapcsoló: A fényerő módok sorrendje a következő: Magas üzemmód (bekapcsolva) / Közepes üzemmód / Alacsony üzemmód / Kikapcsolva minden egyes nyomásra.
2. Módválasztó: A világítási sorrend a következő: Teljes fény / Rögzített fényrész / Összecsukható fényrész minden egyes nyomásra, amikor a kapcsoló be van kapcsolva.

#### MEGJEGYZÉS:

Amikor bekapcsolja a készüléket, a készülék ugyanabban a világítási módban kapcsol be, mint a legutóbbi használat során.

### Alacsony töltöttségjelző (Fig. 5)

Amikor lemerül az akkumulátor, a LED-lámpák kialszanak, kivéve az egyik LED-lámpát az ábrán látható módon. Körülbelül öt-tíz perc után a készülék automatikusan kikapcsol.

### A KÉSZÜLÉK HASZNÁLATA

#### ⚠ FIGYELEM!

Forgassa el a LED-es sávfényt, és hajtsa le az összecsukható fényrészt, hogy stabilizálja a készülék egyensúlyát, amikor a készüléket függőleges helyzetbe helyezi, amint az a fig. 4. Ellenkező esetben a készülék felborulhat, és személyi sérülés okozhat.

### LED-es sávfény szöge (Fig. 6, Fig. 7)

#### ⚠ FIGYELEM:

Vigyázzon rá, nehogy becsúszjon az ujj(i) a megvilágítási szög beállításakor.

#### ⚠ FIGYELEM:

Győződjön meg róla, hogy a rögzített és az összecsukható fényrész szilárdan össze van zárva összecsukott és kihajtott helyzetben.

A LED-es sávfény hét fokozatban forgatható 45°-onként. (90° jobbra és 180° balra)

Az összecsukható fényrész 0°-ra vagy 180°-ra hajlítható.

### Fém kampó (Fig. 8)

A fémhorog használatkor középső helyzetbe emelje fel és csúsztassa a fémhorogot.

## Szj (Fig. 9)

### ⚠ FIGYELEM:

Ne használja a gyűrűt és a hevederfuratot a heveder felszerelésén kívül más célra. Ellenkező esetben személyi sérülés előfordulhat.

Szerelje fel a hevedert a készülékre az ábra szerint.

## A hordozó klipsz beszerelése a teleszkópos horogra (Fig. 10, Fig. 11)

### ⚠ FIGYELEM:

Vigyázzon, hogy ne csípje be az ujját (ujjait), amikor a hordozó klipszeket a teleszkópos horogra beszereli.

Szerelje be a hordozó klipszt a teleszkópos horogra az ábrának megfelelően.

### MEGJEGYZÉS:

Győződjön meg róla, hogy minden hordozó klipsz a fő rúdon lévő hordozó klipsz pozícionáló lyukhoz csúszik.

### MEGJEGYZÉS:

Győződjön meg róla, hogy a két hordozó klipszek ugyanabban az irányban fel van szerelve.

## A készülék felszerelése a teleszkópos horogra (Fig. 12)

Szerelje fel a készüléket a teleszkópos horogra a hordozó klipszek segítségével az ábrának megfelelően.

### MEGJEGYZÉS:

Győződjön meg róla, hogy minden hordozó klipsz tartja a készülék klipszelt helyzetét.

## Teleszkópos horog felszerelése (Fig. 13)

### ⚠ FIGYELEM:

A készüléken kívül semmi mást ne akasszon a teleszkópos horogra. Ellenkező esetben a tartóhorogok megsérülhetnek, és személyi sérülést okozhat.

### ⚠ FIGYELEM:

Használat előtt győződjön meg róla, hogy minden rész biztonságosan rögzítve van.

### ⚠ FIGYELEM:

A teleszkópos horog felszerelésekor tartsa a főrúdat és a tartóhorogokat. Vigyázzon, hogy ne csípje be a kezét és az ujjait, mert a belső rúd a rugók ereje miatt visszatér az eredeti helyzetébe.

Fogja meg az egyik tartóhorogot, hogy a kívánt helyre szerelje fel.

Fogja meg a másik tartóhorogot, miközben a teleszkópos horogot kinyújtja, hogy a kívánt helyre (másik oldalra) szerelje fel.

Kapcsolja be a készüléket, és állítsa be a készülék megvilágítási szögét a kívánt hely megvilágításához az ábrának megfelelően.

### ÉRTESETÉS:

Ha nehéz akkumulátort használ, a megvilágítási szög beállításához csak a LED-es sávfényt forgassa el.

## KARBANTARTÁS

### ⚠ FIGYELEM:

Ellenőrzés vagy karbantartás előtt mindig győződjön meg arról, hogy kikapcsolta a készüléket és eltávolította az akkumulátort.

### ÉRTESETÉS:

Soha ne használjon benzint, hígítót, alkoholt vagy más hasonló szert! Ellenkező esetben elszíneződések, alakváltozások vagy repedések következhetnek be.

A termék BIZTONSÁGÁNAK és MEGBÍZHATÓSÁGÁNAK fenntartása érdekében a javítást, bármely egyéb karbantartást vagy beállítást a Makita által felhatalmazott vagy gyári szervizközpontnak kell végrehajtania Makita cserealkatrészek használata mellett.

## Tisztítás

### ⚠ FIGYELEM!

Soha ne merítse vízbe a készüléket! Időnként törölje le a készülék külsejét (a készüléktestet) egy szappanos vízzel megnedvesített ruhával.

## KÜLÖN MEGVÁSÁROLHATÓ KIEGÉSZÍTŐK

### ⚠ FIGYELEM:

Ezeket a kiegészítőket, illetve tartozékokat javasoljuk a jelen útmutatóban megadott Makita készülékkel történő együttes használat céljára. Bármilyen egyéb kiegészítő vagy tartozék használata személyi sérülést okozhat. A kiegészítők, illetve tartozékok kizárólag rendeltetésszerűen használhatók.

A kiegészítőkkal kapcsolatos bővebb információkért forduljon a Makita helyi márkaszervizéhez.

- Eredeti Makita akkumulátor és töltő

### MEGJEGYZÉS:

A listán szereplő egyes tételeket tartalmazhatnak az alaptartozékként a készülékcsomagban.

A készülékhez mellékelt tartozékok országoként eltérhetnek.

## SLOVENČINA (Originálny návod)

1	Teleskopický hák	2	LED svetelná lišta	3	tlačidlo	4	Kazeta s batériou	5	Červený indikátor	6	Svetlá indikátora	7	Tlačidlo kontroly	8	Pevná časť svetla (LED-24 ks)
9	Skladacia svetelná časť (LED-18 ks)	10	Vypínač	11	Volič režimu	12	Indikátor slabšej batérie	13	Pohyblivá časť	14	Kovový hák	15	Popruh	16	Krúžok
17	otvor na popruh	18	Polohovací otvor spony nosiča	19	Hlavná lišta	20	Vnútoraná lišta	21	Spona nosiča	22	Hák držiaka	23	Orezaná poloha		

## TECHNICKÉ ÚDAJE

Model:		DML818
Svetlo	Svetelný tok (H/M/L)	1700 lm /800 lm /400 lm
	Rozmery (D × Š × V) (bez kazety s batériou)	975 mm × 80 mm × 101 mm
	Menovité napätie	D.C. 14,4 V / 18 V
	hmotnosť netto (bez kazety s batériou)	1,1 kg
Teleskopický hák	Rozmery (D × Š × V) (so sponami)	1181 mm × 99 mm × 259 mm
	Hmotnosť netto (so sponami)	1,5 kg
	Dostupná šírka *	1130 mm - 1900 mm

- Technické údaje sa v jednotlivých krajinách môžu líšiť.
- Vďaka nášmu nepretržitému programu výskumu a vývoja sa technické údaje uvedené v tomto návode môžu bez predchádzajúceho upozornenia zmeniť.
- \* Skutočná dostupná šírka sa môže líšiť v závislosti od umiestnenia a tvaru.

## Vhodná kazeta s batériou a nabíjačka

Kazeta s batériou	14,4 V	BL1415N / BL1430B / BL1440 / BL1460B
	18 V	BL1815N / BL1820B / BL1830B / BL1840B / BL1850B / BL1860B
Nabíjačka	DC18RC / DC18RD / DC18RE / DC18SD / DC18SE / DC18SF / DC18SH / DC18WC	

- Niektoré kazety s batériou uvedené vyššie nemusia byť dostupné, v závislosti od vášho regiónu.

**⚠ UPOZORNENIE: Používajte iba kazety s batériou uvedené vyššie.** Použitie iných kaziet s batériou môže spôsobiť zranenie a/alebo požiar.

## Prevádzková doba

Vhodná kazeta s batériou	Prevádzková doba (približne)		
	Celé svetlo (LED-42 ks)		
	Krátka	Stredný	Dlhá
BL1415N	1,0 hodiny	2,2 hodiny	4,0 hodiny
BL1430B	1,6 hodiny	3,5 hodiny	7,0 hodiny
BL1440	2,6 hodiny	5,5 hodiny	11 hodiny
BL1460B	3,3 hodiny	7,0 hodiny	15 hodiny
BL1815N	1,3 hodiny	2,8 hodiny	5,5 hodiny
BL1820B	1,7 hodiny	3,5 hodiny	7,5 hodiny
BL1830B	2,4 hodiny	5,0 hodiny	10 hodiny
BL1840B	3,0 hodiny	7,0 hodiny	15 hodiny
BL1850B	4,0 hodiny	9,5 hodiny	19 hodiny
BL1860B	5,0 hodiny	11 hodiny	23 hodiny

- V tabuľke sú uvedené hrubé odhady prevádzkovej doby. Skutočná prevádzková doba môže byť iná.
- Kazeta s batériou môže byť v jednotlivých krajinách iná.
- Prevádzková doba sa môže líšiť podľa typu batérie, stavu nabíjania a prevádzkových podmienok.

## Symbole

Nasledujúce symboly môžu byť použité v zariadení. Pred použitím sa uistite, že rozumiete významu symbolov.



- Prečítajte si návod na použitie.



- Len pre krajiny EÚ. Kvôli prítomnosti nebezpečných komponentov v zariadení môže mať odpad z elektrických a elektronických zariadení, akumulátorov a batérií negatívny vplyv na životné prostredie a ľudské zdravie. Elektrické a elektronické zariadenia alebo batérie neodhadzujte do domového odpadu! V súlade s európskou smernicou o odpade z elektrických a elektronických zariadení a akumulátorov a batérií a odpadových akumulátorov a batérií, ako aj s ich prispôbením vnútroštátnym právnym predpisom, by sa použité elektrické zariadenia, batérie a akumulátory mali skladovať oddelene a odovzdať na samostatnom zbernom mieste pre komunálny odpad, spracovať v súlade s predpismi o ochrane životného prostredia. To je naznačené symbolom preškrtnutej smetnej nádoby na kolieskach umiestneným na zariadení.



- Optické žiarenie (UV a IR). Obmedzte vystavenie očí a pokožky.



- Nehľadte do zapnutej lampy.



- Používajte vhodný štít alebo ochranu zraku.



- Dávajte si pozor!



- Len na vnútorné použitie

## DÔLEŽITÉ BEZPEČNOSTNÉ POKYNY

### ⚠ UPOZORNENIE:

Aby ste znížili riziko zranenia, nepozerajte sa na prevádzkované spotrebiče. Mohlo by dôjsť k vážnemu poraneniu očí.

### ⚠ POZOR:

Pri používaní prístroja vždy dodržiavajte základné bezpečnostné opatrenia, aby sa riziko požiaru, elektrického šoku a zranení osôb znížilo na minimum, a to vrátane:

## PREČÍTAJTE SI VŠETKY POKYNY.

1. Aby sa znížilo riziko zranenia, je potrebný prísny dohľad, keď sa spotrebič používa v blízkosti detí.
2. Aby ste znížili riziko úrazu elektrickým prúdom, neponárajte spotrebič do vody ani inej tekutiny. Neumiestňujte ani neskladujte spotrebič tam, kde by mohol spadnúť alebo byť vtiahnutý do vane alebo umývadla.
3. Spotrebič nezakrývajte látkou alebo kartónom atď. V opačnom prípade môže dôjsť k požiaru.
4. Nedotýkajte sa vnútra prístroja pinzetou, kovovými nástrojmi a pod.
5. Nevystavujte prístroj dažďu ani snehu. Nikdy ho neumývajte vodou.
6. Nedotýkajte sa vnútra prístroja pinzetou, kovovými nástrojmi a pod.
7. Nedotýkajte sa horúcich častí.
8. Keď sa prístroj nepoužíva, vždy ho vypnite a odpojte kazetu s batériou.
9. Nespôsobujte prístroju šok tým, že vám vypadne alebo že doňho udriete.
10. Používajte iba doplnky odporúčané alebo predávané výrobcom.
11. Ak produkt nepoužívate, skladujte ho vo vnútri. Uchovávajte mimo dosahu detí.
12. Bezpečnostné informácie k prenosným svetidlám s batériami.
  - Batéria sa musí likvidovať v súlade s miestnymi predpismi, ktoré sa zaoberajú likvidáciou nebezpečných materiálov.
  - Batérie nespáľujte.
13. Doplnujúce informácie k svetidlám.
  - Svetelný zdroj tohto svetidla nie je vymeniteľný; keď svetelný zdroj dosiahne koniec svojej životnosti, musí sa vymeniť celé svetidlo.
14. Používanie a starostlivosť o zariadenie na batérie.
  - **UPOZORNENIE:** Prečítajte si všetky bezpečnostné upozornenia a pokyny. Nedodržanie upozornení a pokynov môže viesť k zásahu elektrickým prúdom, požiaru a/alebo vážnemu úrazu.
  - Bráňte neúmyselnému spusteniu prístroja. Pred pripojením kazety s batériou, zdvíhaním alebo prenášaním prístroja sa uistite, že vypínač je v polohe vypnuté. Prenášanie prístroja s prstom na vypínači alebo pripojenie zapnutého prístroja k zdroju napájania zvyšuje pravdepodobnosť nehôd.
  - Pred akýmkoľvek úpravami, výmenou príslušenstva alebo uskladnením prístroja odpojte batérie. Tieto preventívne bezpečnostné opatrenia znižujú riziko neúmyselného zapnutia prístroja.
  - Batérie nabíjajte iba pomocou nabíjačky predpísane výrobcom. Nabíjačka, ktorá je vhodná pre jeden typ batérií, môže pri použití s iným typom batérií spôsobiť riziko požiaru.
  - Prístroj používajte iba s batériami na to určenými. Použitie iných batérií môže spôsobiť riziko zranenia alebo požiaru.
  - Keď sa batérie nepoužívajú, držte ich v dostatočnej vzdialenosti od iných kovových predmetov ako sú sponky na papier, mince, kľúče, klince a ďalšie drobné kovové predmety, ktoré môžu vytvoriť prepojenie pólov batérie. Skrat na póloch batérie môže spôsobiť spálenie alebo požiar.
  - Pri nevhodných podmienkach môže z batérie vytiecť tekutina. Vyhybajte sa kontaktu s ňou. Ak náhodou dôjde ku kontaktu, vymyte postihnuté miesto vodou. Ak sa tekutina dostane do očí, vyhľadajte lekársku pomoc. Tekutina vytečená z batérie môže spôsobiť podráždenie alebo popálenie.
  - Nepoužívajte poškodené ani upravované batérie a prístroj. Poškodené alebo upravované batérie sa môžu chovať nepredvídateľne a spôsobiť požiar, výbuch alebo riziko zranenia.
  - Batérie ani prístroj nevystavujte ohňu ani vysokým teplotám. Vystavenie ohňu alebo teplotám nad 130 °C (265 °F) môže spôsobiť výbuch.
  - Dodržiavajte pokyny na nabíjanie a batériu ani prístroj nenabíjajte mimo rozsah teplôt uvedený v návode. Nesprávne nabíjanie alebo mimo uvedený rozsah teplôt môže poškodiť batériu a zvýšiť riziko požiaru.
  - Údržbu prístroja musí vykonávať kvalifikovaný odborník s použitím identických náhradných dielov.

Tým sa zaistí bezpečnosť prístroja.

- Prístroj ani batérie neupravujte a nepokúšajte sa ich opravovať inak, než spôsobom uvedeným v návode na použitie a starostlivosť.
- 15. Dôležité bezpečnostné pokyny pre kazetu s batériou.
- Pred použitím kazety s batériou si prečítajte všetky pokyny a výstražné značky na (1) nabíjačke batérie, (2) batérii a (3) produkte, ktorý batériu používa.
- Kazetu s batériou nerozoberajte ani s ňou nemanipulujte. Môže to spôsobiť požiar, nadmerné teplo alebo explóziu.
- Ak sa prevádzková doba výrazne skrátila, okamžite zastavte prevádzku. Môže to viesť k riziku prehriatia, možným spáleninám a dokonca výbuchu.
- Ak sa vám do očí dostane elektrolyt, vypláchnite ich čistou vodou a okamžite vyhľadajte lekársku pomoc. Môže to viesť k strate zraku.
- Nespôsobujte na kazete s batériou skrat.
- Prístroj ani kazetu s batériou neskladujte a nepoužívajte na miestach, kde teplota môže dosiahnuť alebo prekročiť 50 °C (122 °F).
- Kazetu s batériou nespáľujte, ani ak je vážne poškodená alebo ak je úplne nepoužiteľná. Kazeta s batériou môže v ohni explodovať.
- Kazetu s batériou nepribíjajte, nedrvtvte, nehádzte, nezhadzujte ani ňou neudierajte o tvrdý predmet. Takéto konanie môže spôsobiť požiar, nadmerné teplo alebo explóziu.
- Poškodenú batériu nepoužívajte.
- Lítiom-iónové batérie podliehajú požiadavkám zákonov o nebezpečných predmetoch. Pri komerčnej preprave, napr. tretími osobami a dopravcami je nutné dodržiavať špeciálne požiadavky na balenie a označovanie. Prípravu batérie na prepravu konzultujte s odborníkom na nebezpečné materiály. Dodržiavajte aj miestne predpisy, ktoré môžu byť prísnejšie. Voľné kontakty zalepte páskou alebo inak zaslepte a batériu zabaľte tak, aby sa vnútri balenia nemohla pohybovať.
- Batérie používajte iba vo výrobkoch určených spoločnosťou Makita. Inštalácia batérií do nevhodných produktov môže spôsobiť požiar, prehrievanie, výbuch alebo únik elektrolytu.
- Ak sa prístroj dlhšiu dobu nepoužíva, batériu z neho odstráňte.
- Počas aj po používaní môže kazeta s batériou naberať teplo, čo môže spôsobiť popáleniny alebo poranenia nízkymi teplotami. Pri manipulácii s horúcou kazetou s batériou buďte ostražití.
- Pólov prístroja sa nedotýkajte bezprostredne po používaní, pretože môžu byť dostatočne horúce na spôsobenie popálenín.
- Úlomky, prach ani zem nenechajte uviaznuť na póloch, v otvoroch a drážkach kazety s batériou. Môže to viesť k nedostatočnému výkonu alebo pokazeniu prístroja alebo kazety s batériou.
- Pokiaľ prístroj nepodporuje používanie v blízkosti elektrického vedenia s vysokým napätím, kazetu s batériou nepoužívajte v blízkosti elektrického vedenia s vysokým napätím. Môže to viesť k zlému fungovaniu alebo pokazeniu prístroja alebo kazety s batériou.
- Batériu držte mimo dosahu detí.

## TIETO POKYNY USCHOVAJTE.

**⚠ POZOR:** Používajte iba pôvodné batérie Makita. Použitie iných ako pôvodných batérií Matika alebo upravovaných batérií môže viesť k prasknutiu batérie, požiaru, zraneniu osôb a iným škodám. Zruší to tiež platnosť záruky Makita poskytovanej spoločnosťou Makita na prístroj a nabíjačku Makita.

16. Tipy na zaručenie čo najdlhšej životnosti batérie.
- Kazetu s batériou nabíjajte skôr, ako so úplne vybije. Keď si všimnete, že prístroj má menej energie, okamžite ho vypnite a batériu nabite.
  - Nikdy nenabíjajte plne nabitú batériu. Prílišné nabíjanie skracuje životnosť batérie.
  - Kazetu s batériou nabíjajte pri izbovej teplote 10 °C - 40 °C (50 °F - 104 °F). Horúcu kazetu s batériou nechajte pred nabíjaním schlaadiť.
  - Ak kazetu s batériou nepoužívajte, odpojte ju z nástroja alebo nabíjačky.
  - Kazetu s batériou nabite, ak ste ju dlhšie nepoužívali (viac ako 6 mesiacov).

## FUNKČNÝ OPIS

**⚠ POZOR:** Pred úpravami alebo kontrolou funkcií prístroja sa vždy uistite, že je vypnutý a že je vyťahnutá kazeta s batériou.

## Inštalácia alebo odstránenie kazety s batériou (Fig. 2)

**⚠ POZOR:** Pred vložením alebo vybratím kazety s batériou vždy spotrebič vypnite.

**⚠ POZOR:** **Pri inštalovaní alebo odstraňovaní kazety s batériou prístroj i kazetu pevne držte.** Ak ich nebudete pevne držať, môžu sa vám vyšmyknúť z rúk a poškodiť sa, ako aj spôsobiť zranenie osôb.

Pri inštalácii kazety s batériou nastavte jazýček na kazete tak, aby bol zarovno s príslušnou drážkou, a zasuňte ju na miesto. Zasuňte ju až na doraz, kým s kliknutím nazapadne na miesto. Ak vidíte červený indikátor, ako je znázornené na obrázku, nie je úplne uzamknutý.

Ak chcete kazetu s batériou odstrániť, vysuňte ju z prístroja a zároveň posúvajte tlačidlo na prednej strane kazety.

**⚠ POZOR:** Kazetu s batériou vždy inštalujte úplne tak, aby ste nevideli červený indikátor. Ak to neurobíte, môže z prístroja vypadnúť a spôsobiť zranenie vám alebo osobám v okolí.

**⚠ POZOR:** Kazetu s batériou neinštalujte nasilu. Ak sa kazeta nezasúva ľahko, znamená to, že ju neinštalujte správne.



## Indikátor zvyšnej kapacity batérie (Fig. 3)

Stlačte tlačidlo kontroly na kazete s batériou, aby sa zobrazila zvyšná kapacita. Svetlá indikátora sa na niekoľko sekúnd rozsvietia.

Svetlá indikátora			Zvyšná kapacita
Svieti	Nesvieti	Bliká	
■	□	▣	
■ ■ ■ ■			75% až 100%
■ ■ ■ □			50% až 75%
■ ■ □ □			25% až 50%
■ □ □ □			0% až 25%
▣ □ □ □			Nabite batériu.
■ ■ □ □			Je možné, že došlo k poruche batérie.
□ □ ■ ■			

### POZN.:

V závislosti od podmienok použitia a teploty prostredia sa indikácia môže mierne líšiť od skutočnej kapacity.

### POZN.:

Prvá kontrolka (úplne vľavo) bude blikať, ak systém ochrany batérie funguje.

## System ochrany zariadenia/batérie

Zariadenie je vybavené ochranným systémom, ktorý ho v záujme predĺženia prevádzkovej životnosti automaticky vypne.

### Ochrana proti nadmernému vybitiu

Ak kapacita batérie nie je dostatočná, prístroj sa automaticky vypne. V takom prípade batériu vyberte z prístroja a nabite.

### Ochrana pred inými príčinami

Ochranný systém je navrhnutý aj pre iné príčiny, ktoré by mohli poškodiť zariadenie a umožňuje automatické zastavenie zariadenia. Vykonajte všetky nasledujúce kroky na odstránenie príčin dočasného zastavenia alebo zastavenia prevádzky.

1. Vypnite zariadenie a potom ho znova zapnite, aby ste ho reštartovali.
2. Nabite batériu(batérie) alebo ju/ich vymeňte za nabitú batériu (batérie).
3. Nechajte zariadenie a batériu (batérie) vychladnúť.

Ak obnovou ochranného systému nenájdete žiadne zlepšenie, obráťte sa na miestne servisné stredisko Makita.

## Zapnutie svetla a voľba režimu jasu (Fig. 4)

### ⚠ POZOR:

Nepozerajte sa priamo do svetla alebo jeho zdroja.

1. Vypínač: Sekvencia jasu: Vysoký režim (Zapnutie) / Stredný režim / Nízky režim / Vypnutie pri každom stlačení.
2. Volič režimu: Postupnosť rozsvietenia je: Celé svetlo / Pevná časť svetla / Skladacia časť svetla pri každom stlačení, keď je spínač zapnutý.

### POZN.:

Keď zapnete spotrebič, zapne sa rovnaký svetelný režim ako pri poslednom použití.

## Indikátor slabšej batérie (Fig. 5)

Keď je batéria vybitá, kontrolky LED zhasnú okrem jednej kontrolky LED, ako je znázornené na obrázku. Potom približne o päť až desať minút neskôr sa spotrebič automaticky vypne.

## PREVÁDZKA

### ⚠ POZOR:

Otočte svetelnú lištu LED a sklopte skladaciu časť svetla, aby ste stabilizovali rovnováhu spotrebiča, keď spotrebič postavíte do zvislej polohy, ako je znázornené na fig.4. V opačnom prípade môže dôjsť k prevrhnutiu spotrebiča a zraneniu osôb.

## Uhol svetelnej lišty LED (Fig. 6, Fig. 7)

### ⚠ POZOR:

Dajte si pozor, aby ste si pri nastavovaní uhla svetla neprivreli prsty.

### ⚠ POZOR:

Uistite sa, že pevná a skladacia časť svetla sú pevne spojené v skladacej a rozloženej polohe.

LED svetelnú lištu je možné otáčať v siedmich stupňoch na každých 45°. (90° doprava a 180° doľava) Skladaciu časť svetla je možné ohnúť na 0° alebo 180°.

## Kovový hák (Fig. 8)

Pri použití kovového háku zdvihnite a posuňte kovový hák do stredovej polohy.

## Remienok (Fig. 9)

### ⚠ POZOR:

Kružok a otvor na popruh nepoužívajte na iné účely ako na inštaláciu popruhu. V opačnom prípade môže dôjsť k zraneniu osôb.

Nainštalujte popruh na spotrebič, ako je znázornené.

## Inštalácia spôn nosiča do teleskopického háku (Fig. 10, Fig. 11)

### ⚠ POZOR:

Pri inštalácii spôn nosiča do teleskopického háku dávajte pozor, aby ste si neprivreli prst (prsty).

Nainštalujte spony nosiča do teleskopického háku, ako je znázornené.

### POZN.:

Uistite sa, že každá spona nosiča je zasunutá do otvoru na umiestnenie spony nosiča na hlavnej lište.

### POZN.:

Uistite sa, že dve spony sú v rovnakom smere inštalácie.

## Inštalácia spotrebiča na teleskopický hák (Fig. 12)

Nainštalujte spotrebič na teleskopický hák pomocou spôn nosiča, ako je znázornené na obrázku.

### POZN.:

Uistite sa, že každá spona drží zacvaknutú polohu spotrebiča.

## Inštalácia teleskopického háku (Fig. 13)

### ⚠ POZOR:

Na teleskopický hák nezavesujte nič iné ako prístroj. V opačnom prípade by sa háky držiaka poškodili a mohlo by dôjsť k zraneniu osôb.

### ⚠ POZOR:

Pred použitím sa uistite, že je každá časť bezpečne pripevnená.

### ⚠ POZOR:

Pri montáži teleskopického háku držte hlavnú lištu a háky držiaka. Dávajte pozor, aby ste si neprivreli ruky a prsty, pretože vnútorná lišta sa vráti do pôvodnej polohy pomocou sily pružín.

Podržte jeden hák držiaka, aby ste ho pripevnili na požadované miesto.

Pri vysúvaní teleskopického háku držte ďalší hák držiaka, aby ste ho namontovali na požadované miesto (iná strana).

Zapnite spotrebič a nastavte uhol osvetlenia spotrebiča tak, aby osvetlil požadované miesto, ako je znázornené na obrázku.

### UPOZORNENIE:

Ak používate ťažkú batériu, pri nastavení uhla osvetlenia otáčajte iba svetelnú lištu LED.

## ÚDRŽBA

### ⚠ POZOR:

Pred pokusom o kontrolu alebo údržbu na prístroji sa vždy uistite, že je vypnutý, odpojený od napájania, a že je vytiahnutá kazeta s batériou.

### UPOZORNENIE:

Nikdy nepoužívajte benzín, riedidlo, alkohol a pod. Môžu spôsobiť odfarbenie, deformáciu alebo praskliny.

V záujme zachovania BEZPEČNOSTI a SPOL'AHLIVOSTI zariadenia by opravy a akúkoľvek údržbu a úpravy mali robiť iba autorizované alebo továrenské servisné centrá Makita s náhradnými dielmi Makita.

## Čistenie

### ⚠ POZOR:

Prístroj nikdy neumývajte vodou. Často utrite vonkajšok spotrebiča (telo spotrebiča) handričkou navlhčenou v mydlovej vode.

## VOLITEĽNÉ PRÍSLUŠENSTVO

### ⚠ POZOR:

Na použitie s prístrojom Makita uvedenom v tomto návode sa odporúča nasledujúce príslušenstvo a nadstavce. Použitie iného príslušenstva či nadstavcov môže predstavovať riziko zranenia osôb. Príslušenstvo a nadstavce používajte iba na účel, na aký sú určené.

Ak potrebujete pomoc alebo ďalšie informácie o príslušenstve, obráťte sa na miestne servisné centrum Makita.

- Pôvodná batéria a nabíjačka Makita

### POZN.:

Niektoré položky v zozname môžu byť súčasťou balenia spotrebiča ako štandardné príslušenstvo. To sa v jednotlivých krajinách môže líšiť.

## ČESKY (Původní návod k používání)

1	Teleskopický hák	2	LED světelná lišta	3	Tlačítko	4	Kazeta s baterií	5	Červený ukazatel	6	Světlo indikátoru	7	Tlačítko kontroly	8	Pevná část světla (LED-24 ks)
9	Skládací světelná část (LED-18 ks)	10	Vypínač	11	Volič režimu	12	Indikátor slabé baterie	13	Pohyblivá část	14	Kovový hák	15	Popruh	16	Očko
17	Otvor na řemínek	18	Polohovací otvor spony nosiče	19	Hlavní lišta	20	Vnitřní lišta	21	Spona nosiče	22	Hák držáku	23	Oříznutá poloha		

## TECHNICKÉ ÚDAJE

Model:		DML818
Světlo	Světelný tok (H/M/L)	1700 lm / 800 lm / 400 lm
	Rozměry (D × Š × V) (bez kazety s baterií)	975 mm × 80 mm × 101 mm
	Jmenovité napětí	D.C. 14,4 V / 18 V
	Čistá váha (bez kazety s baterií)	1,1 kg
Teleskopický hák	Rozměry (D × Š × V) (se sponami)	1181 mm × 99 mm × 259 mm
	Čistá váha (se sponami)	1,5 kg
	Dostupná šířka *	1130 mm – 1900 mm

- Technické údaje se v jednotlivých zemích mohou lišit.
- Díky našemu nepřetržitému programu výzkumu a vývoje se zde uvedené technické údaje mohou měnit bez předchozího upozornění.
- \* Skutečná dostupná šířka se může lišit v závislosti na umístění a tvaru.

## Bateriová kazeta a nabíječka

Kazeta s baterií	14,4 V	BL1415N / BL1430B / BL1440 / BL1460B
	18 V	BL1815N / BL1820B / BL1830B / BL1840B / BL1850B / BL1860B
Nabíječka	DC18RC / DC18RD / DC18RE / DC18SD / DC18SE / DC18SF / DC18SH / DC18WC	

- V závislosti na vašem regionu nemusí být některé kazety s bateriemi uvedené výše k dispozici.

**⚠ VAROVÁNÍ: Používejte jenom kazety s bateriemi uvedené výše.** Použití jiných kazet s bateriemi může způsobit zranění a/nebo požár.

## Provozní doba

Vhodná kazeta s baterií	Provozní doba (přibližně)		
	Celé světlo (LED-42 ks)		
	Dlouhá	Střední	Krátká
BL1415N	1,0 hodiny	2,2 hodiny	4,0 hodiny
BL1430B	1,6 hodiny	3,5 hodiny	7,0 hodiny
BL1440	2,6 hodiny	5,5 hodiny	11 hodiny
BL1460B	3,3 hodiny	7,0 hodiny	15 hodiny
BL1815N	1,3 hodiny	2,8 hodiny	5,5 hodiny
BL1820B	1,7 hodiny	3,5 hodiny	7,5 hodiny
BL1830B	2,4 hodiny	5,0 hodiny	10 hodiny
BL1840B	3,0 hodiny	7,0 hodiny	15 hodiny
BL1850B	4,0 hodiny	9,5 hodiny	19 hodiny
BL1860B	5,0 hodiny	11 hodiny	23 hodiny

- Provozní doby uvedené v tabulce představují hrubý odhad. Skutečná provozní doba může být jiná.
- Kazeta s baterií se v jednotlivých zemích může lišit.
- Provozní doba se může lišit v závislosti na typu baterií, stavu nabíjení a podmínkách použití.

## Symbols

Následující obrázky ukazují symboly, které lze použít pro zařízení. Před použitím se ujistěte, že rozumíte významu symbolů.



- Přečtěte si návod k použití.



- Jen pro země EU. Kvůli přítomnosti nebezpečných komponentů v zařízení může mít odpad z elektrických a elektronických zařízení, akumulátorů a baterií negativní vliv na životní prostředí a lidské zdraví.



- Elektrická a elektronická zařízení nebo baterie neodhazujte do domovního odpadu! V souladu s evropskou směrnicí o odpadních elektrických a elektronických zařízeních a akumulátorů a baterií a odpadních baterií, jakož i s jejich přizpůsobením vnitrostátním právním předpisům, by se použité elektrické zařízení, baterie a akumulátory měli skladovat odděleně a předat na samostatném sběrném místě pro komunální odpad, zpracovat v souladu s předpisy o ochraně životního prostředí. To je naznačeno symbolem přeškrtnuté pojízdné popelnice umístěným na zařízení.



- Optické záření (UV a IR)  
Omezte vystavení očí a kůže na minimum.



- Nedívejte se do zapnuté lampy.



- Používejte vhodný štít nebo jinou ochranu očí.



- Dávejte si pozor!



- Jen pro vnitřní použití

## DŮLEŽITÉ BEZPEČNOSTNÍ POKYNY

### ⚠ VAROVÁNÍ:

Abyste snížili riziko zranění, nedívejte se na provozované spotřebiče. Mohlo by dojít k vážnému poranění očí.

### ⚠ POZOR:

Při používání tohoto přístroje byste vždy měli dodržovat základní bezpečnostní opatření, abyste omezili riziko požáru, elektrického šoku a osobních zranění, včetně:

## PŘEČTĚTE SI VŠECHNY POKYNY.

1. Aby se snížilo riziko zranění, je potřebný přísný dohled, když se spotřebič používá v blízkosti dětí.
2. Abyste snížili riziko úrazu elektrickým proudem, neponořujte spotřebič do vody ani jiné tekutiny. Neumísťujte ani neskladujte spotřebič tam, kde by mohl spadnout nebo být vtažen do vany nebo umyvadla.
3. Spotřebič nezakrývejte látkou nebo kartonem atp. V opačném případě může dojít k požáru.
4. Nedotýkejte se vnitřku přístroje pinzetou, kovovými nástroji a pod.
5. Nevystavujte přístroj dešti nebo sněhu. Neumývejte je vodou.
6. Nedotýkejte se vnitřku přístroje pinzetou, kovovými nástroji a pod.
7. Nedotýkejte se horkých částí.
8. Když přístroj nepoužíváte, vždy jej vypněte, vyndejte kazetu s baterií z přístroje.
9. Přístroj byste neměli upustit nebo do něj uhodit.
10. Používejte pouze doplňky doporučené nebo prodávané výrobcem.
11. Pokud produkt nepoužíváte, skladujte jej uvnitř. Uchovávejte mimo dosah dětí.
12. Bezpečnostní informace pro přenosné svítilny s bateriemi.
  - Likvidace baterií by měla být v souladu s místními předpisy, které se zabývají likvidací nebezpečných materiálů.
  - Baterii nespalujte.
13. Další informace o svítilnách.
  - Světelný zdroj této svítilny není vyměnitelný; když světelný zdroj dosáhne konce své životnosti, musí se vyměnit celá svítilna.
14. Použití a péče o zařízení na baterie.
  - **VAROVÁNÍ:** Přečtěte si všechna bezpečnostní varování a pokyny. Nedodržení varování a pokynů může vést k úrazu elektrickým proudem, ke vzniku požáru a/nebo vážnému zranění.
  - Zabraňte neúmyslnému spuštění přístroje. Před připojením baterií, zvedáním nebo přenášením přístroje se ujistěte, že vypínač je v poloze vypnuto. Přenášení přístroje s prstem na vypínači nebo zapájení přístroje do zásuvky s vypínačem v poloze zapnuto je často důvodem nehod.
  - Před provedením jakýchkoli úprav nebo výměny příslušenství a před uložením elektrického přístroje odpojte baterie. Taková preventivní bezpečnostní opatření snižují riziko náhodného spuštění přístroje.
  - Nabíjejte jenom podle pokynů uváděných výrobcem. Nabíječka vhodná pro jeden typ baterií může při použití s jiným typem způsobit riziko požáru.
  - Přístroje používejte jenom s příslušnými bateriemi. Použití jiných baterií může způsobit zranění a/nebo požár.
  - Když baterie nejsou v provozu, držte je v určité vzdálenosti od jiných kovových předmětů jako jsou sponky na papír, mince, klíče, hřebíky, vruty nebo jiné drobné kovové předměty, které by mohly vytvořit propojení dvou pólů baterie. Zkrat baterie může způsobit spáleniny nebo požár.
  - V nesprávných podmínkách použití může z baterie vytéct tekutina; nedotýkejte se jí. Pokud dojde k náhodnému kontaktu, omyjte místo vodou. Pokud se tekutina dostane do očí, vyhledejte lékařskou pomoc. Tekutina vytečená z baterie může způsobit podráždění nebo popáleniny.
  - Baterie ani přístroj nepoužívejte, jsou-li poškozeny nebo byly-li upraveny. Poškozené nebo upravované baterie se mohou chovat nepředvídatelně a způsobit požár, explozi nebo riziko poranění.
  - Baterie ani přístroj nevystavujte ohni ani vysokým teplotám. Vystavení ohni nebo teplotám nad 130 °C (265 °F) může způsobit výbuch.
  - Dodržujte všechny pokyny pro napájení a baterie ani přístroj nenabíjejte mimo rozsah teplot uvedený v návodu. Nesprávné nabíjení nebo překročení uvedeného rozsahu teplot může poškodit baterie a zvýšit riziko požáru.
  - Údržbu přístroje musí provádět kvalifikovaná osoba za použití pouze identických náhradních součástí. Tím se zajistí, že bude zachována bezpečnost přístroje.

- Příklad ani baterii neupravujte ani se nepokoušejte je opravovat jinak, než je to uvedeno v návodu k použití.
- 15. Důležité bezpečnostní pokyny pro kazetu s baterií.
  - Před použitím kazety s baterií si přečtěte návod a výstražné značky na (1) nabíječe, (2) baterii a (3) produktu, který baterii používá.
  - Bateriovou kazetu nerozebírejte ani s ní nemanipulujte. To by mohlo způsobit požár, nadměrné zahřátí nebo výbuch.
  - Pokud se provozní doba výrazně zkrátí, okamžitě provoz zastavte. Může to způsobit riziko přehřátí, možné spáleniny a dokonce výbuch.
  - Pokud se vám do očí dostane elektrolyt, vypláchněte je čistou vodou a okamžitě vyhledejte lékařskou pomoc. Může to vést ke ztrátě zraku.
  - Nezpůsobujte zkrat na kazetě s baterií.
  - Zařízení ani kazetu s baterií neskladujte a nepoužívejte na místech, kde může teplota dosáhnout nebo překročit 50 °C (122 °F).
  - Kazetu s baterií nespalujte, ani pokud je vážně poškozena nebo úplně nepoužitelná. V ohni může explodovat.
  - S bateriovou kazetou neházejte, neřežte ji, nemačkejte, nepouštějte ji na zem, nezatloukejte do ní hřebík ani s ní nebouchejte o tvrdý předmět. Takové chování by mohlo způsobit požár, nadměrné zahřátí nebo výbuch.
  - Poškozenou baterii nepoužívejte.
  - Lithium-iontové baterie uvnitř kazety podléhají požadavkům předpisů o nebezpečných věcech. Pro komerční přepravu např. třetími stranami nebo dopravci, platí speciální požadavky na balení a označení. Přípravu předmětu pro přepravu nutno konzultovat s odborníkem na nebezpečné materiály. Dodržujte také místní nařízení, která mohou být přísnější. Otevřené kontakty přelepte nebo jinak zaslepte a baterii zabalte takovým způsobem, aby se v obalu nemohla pohybovat.
  - Baterie používejte jenom v produktech, pro které je doporučuje společnost Makita. Instalace baterií do nevhodných produktů může způsobit požár, přehřátí, výbuch nebo vytečení elektrolytu.
  - Pokud přístroj delší dobu nepoužíváte, baterii z něj vyndejte.
  - Během a po použití se může bateriová kazeta zahřát, což může způsobit popálení nebo popálení při nízké teplotě. Při zacházení s horkými bateriovými kazetami dávejte pozor.
  - Nedotýkejte se terminálu přístroje ihned po použití, protože by mohl být dostatečně horký, aby mohl způsobit popáleniny.
  - Nedovolte, aby se do svorek, otvorů a drážek v bateriové kazetě dostaly třísky, prach nebo zemina. To může mít za následek špatný výkon nebo poruchu přístroje nebo bateriové kazety.
  - Pokud přístroj nepodporuje použití v blízkosti elektrických vedení vysokého napětí, nepoužívejte bateriovou kazetu v blízkosti elektrických vedení vysokého napětí. Mohlo by to způsobit špatný výkon nebo poruchu přístroje nebo bateriové kazety.
  - Udržujte baterii mimo dosah dětí.

## ULOŽTE TĚTO POKYNY.

**⚠ POZOR:** Používejte jenom původní baterie Makita. Použití jiných než původních lithium-iontových baterií Makita nebo upravovaných baterií může vést k prasknutí baterie, požáru, osobní zraněním nebo poškozením. Způsobí to také zneplatnění záruky společnosti Makita na přístroj a nabíječku Makita.

16. Tipy pro zachování co nejdelší životnosti baterie.
- Kazetu s baterií nabíjejte dřív, než se úplně vybijí. Když si všimnete, že nastrojí dochází energie, vždy jej vypněte a nabijte kazetu s baterií.
  - Nikdy nenabíjejte plně nabitou kazetu s baterií. Přebití baterie zkracuje její životnost.
  - Kazetu s baterií nabíjejte za pokojové teploty, při 10 °C - 40 °C (50 °F - 104 °F). Horkou kazetu s baterií nechte před nabitím vychladit.
  - Pokud bateriovou kazetu nepoužíváte, vyjměte ji z přístroje nebo nabíječky.
  - Pokud kazetu s baterií delší dobu (více než šest měsíců) nepoužíváte, nabijte ji.

## FUNKČNÍ POPIS

**⚠ POZOR:** Před úpravou nebo kontrolou funkce přístroje se vždy ujistěte, že je přístroj vypnutý a kazeta s baterií je odstraněna.

## Instalace a odstranění kazety s baterií (Fig. 2)

**⚠ POZOR:** Před vložením nebo vyjmutím kazety s baterií vždy spotřebič vypněte.

**⚠ POZOR:** **Přístroj a kazetu s baterií při instalaci nebo odstraňování kazety s baterií pevně držte.** Pokud přístroj a kazetu s baterií nebudete pevně držet, může se stát, že vám vyklouznou a způsobí poškození přístroje nebo kazety s baterií nebo zranění.

Pro instalaci kazety s baterií srovnajte jazýček na kazetě s baterií srovnajte s drážkou a zasuňte ji na místo. Zasuňte ji na doraz, dokud s kliknutím nezapadne na místo. Pokud vidíte červený indikátor, jak je znázorněno na obrázku, není zcela uzamčen. Pro odstranění kazety s baterií ji ze zařízení vysuňte a zároveň posouvejte tlačítko na přední straně kazety.

**⚠ POZOR:** Kazetu s baterií vždy instalujte úplně, aby nebyl vidět červený ukazatel. Pokud to neuděláte, může z přístroje vypadnout a způsobit zranění vám nebo dalším osobám.

**⚠ POZOR:** Kazetu s baterií neinstalujte násilím. Pokud kazeta nezajíždí dovnitř lehce, znamená to, že ji neinstalujete správně.

## Indikátor zbývající kapacity baterie (Fig. 3)

Zbývající kapacitu baterie můžete zobrazit stisknutím tlačítka kontroly na kazetě s baterií. Indikátor se na několik sekund rozsvítí.

Světlo indikátoru			Zbývající kapacita
Svítil	Nesvítil	Bliká	
■	□	▧	75% až 100%
■ ■ ■ ■	□	□	50% až 75%
■ ■ □ □	□	□	25% až 50%
■ □ □ □	□	□	0% až 25%
▧ □ □ □	□	□	Nabijte baterii.
■ ■ □ □	□ □	■ ■	Baterie může být vadná.

### POZN.:

V závislosti na podmínkách použití a teplotě prostředí se indikátor může jemně odchytil od skutečné kapacity.

### POZN.:

Nejprve kontrolka (zcela vlevo) bude blikat, když systém ochrany baterie funguje.

## Zariadení / systém ochrany baterie

zariadení je vybaveno ochranným systémem, který je v zájmu prodloužení provozní doby automaticky vypne.

### Ochrana před přílišným vybitím

Pokud kapacita baterie není dostatečná, přístroj se automaticky zastaví. V takovém případě vyjměte baterii z přístroje a nabijte ji.

### Ochrana před jinými příčinami

Ochranný systém je navržen i pro jiné příčiny, které by mohly poškodit zařízení a umožňuje automatické zastavení zařízení. Proveďte všechny následující kroky k odstranění příčin dočasného zastavení nebo zastavení provozu.

1. Vypněte zařízení a poté jej znovu zapněte, abyste jej restartovali.
2. Nabijte baterii (baterie) nebo ji/jejich vyměňte za nabitou baterii (baterie).
3. Nechte zařízení a baterii (baterie) vychladnout.

Pokud obnovou ochranného systému nenajdete žádné zlepšení, obraťte se na místní servisní středisko Makita.

## Zapnutí světla a volba režimu jasu (Fig. 4)

### ⚠ POZOR:

Nedívejte se do přímo světla nebo jeho zdroje.

1. Vypínač: Sekvence jasu je: Vysoký režim (Zapnutí) / Střední režim / Nízký režim / Vypnutí při každém stisknutí.
2. Volič režimu: Posloupnost rozsvícení je: Celé světlo / Pevná část světla / Skládací část světla při každém stisknutí, když je spínač zapnutý.

### POZN.:

Když zapnete spotřebič, zapne se stejný světelný režim jako při posledním použití.

## Indikátor slabé baterie (Fig. 5)

Když je baterie vybitá, kontrolky LED zhasnou kromě jedné kontrolky LED, jak je znázorněno na obrázku. Potom přibližně o pět až deset minut později se spotřebič automaticky vypne.

## PROVOZ

### ⚠ POZOR:

Otočte světelnou lištu LED a sklopte skládací část světla, abyste stabilizovali rovnováhu spotřebiče, když spotřebič postavíte do svislé polohy, jak je znázorněna na fig.4. V opačném případě může dojít k převrnutí spotřebiče a zranění osob.

## Úhel světelné lišty LED (Fig. 6, Fig. 7)

### ⚠ POZOR:

Dejte pozor, aby se při nastavení úhlu světla nedostaly pod knoflíky prsty.

### ⚠ POZOR:

Ujistěte se, že pevná a skládací část světla jsou pevně spojeny ve skládací a rozložené poloze.

LED světelnou lištu lze otáčet v sedmi stupních na každých 45°. (90° doprava a 180° doleva)  
Skládací část světla lze ohnout na 0° nebo 180°.

## Kovový hák (Fig. 8)

Při použití kovového háku zvedněte a posuňte kovový hák do středové polohy.

## Řemínek (Fig. 9)

### ⚠ POZOR:

Kroužek a otvor na popruhu nepoužívejte k jiným účelům než k instalaci popruhu. V opačném případě může dojít ke zranění osob.

Nainstalujte popruh na spotřebič, jak je znázorněno.

## Instalace spon nosiče do teleskopického háku (Fig. 10, Fig. 11)

### **POZOR:**

Při instalaci spon nosiče do teleskopického háku dávejte pozor, abyste si nepřivřeli prst (prsty).

Nainstalujte spony nosiče do teleskopického háku, jak je znázorněno.

### **POZN.:**

Ujistěte se, že každá spona nosiče je zasunuta do otvoru pro umístění spony nosiče na hlavní liště.

### **POZN.:**

Ujistěte se, že dvě spony jsou ve stejném směru instalace.

## Instalace spotřebiče na teleskopický hák (Fig. 12)

Nainstalujte spotřebič na teleskopický hák pomocí spon nosiče, jak je znázorněno na obrázku.

### **POZN.:**

Ujistěte se, že každá spona drží zacvaklou polohu spotřebiče.

## Instalace teleskopického háku (Fig. 13)

### **POZOR:**

Na teleskopický hák nezavěšujte nic jiného než přístroj. V opačném případě by se háky držáku poškodily a mohlo by dojít ke zranění osob.

### **POZOR:**

Před použitím se ujistěte, že je každá část bezpečně připevněna.

### **POZOR:**

Při montáži teleskopického háku držte hlavní lištu a háky držáku. Dávejte pozor, abyste si nepřivřeli ruce a prsty, protože vnitřní lišta se vrátí do původní polohy pomocí síly pružin.

Podržte jeden hák držáku, abyste jej připevnili na požadované místo.

Při vysouvání teleskopického háku držte další hák držáku, abyste jej namontovali na požadované místo (jiná strana).

Zapněte spotřebič a nastavte úhel osvětlení spotřebiče tak, aby osvětlil požadované místo, jak je znázorněno na obrázku.

### **UPOZORNĚNÍ:**

Pokud používáte těžkou baterii, při nastavení úhlu osvětlení otáčejte pouze světelnou lištu LED.

## ÚDRŽBA

### **POZOR:**

Před pokusem o vykonání kontroly nebo údržby se vždy ujistěte, že je přístroj vypnutý, odpojený od proudu a kazeta s baterií je odstraněna.

### **UPOZORNĚNÍ:**

Nikdy nepoužívejte benzín, ředidlo, alkohol ani podobné látky. Mohou způsobit odbarvení, deformaci nebo praskliny.

Pro zachování BEZPEČNOSTI a SPOLEHLIVOSTI zařízení by všechny opravy a další údržbu nebo nastavení měli provádět autorizovaná nebo tovární servisní centra Makita za použití původních náhradních dílů Makita.

## Čištění

### **POZOR:**

Přístroj nikdy neomývejte vodou. Často otřete vnějšík spotřebiče (tělo spotřebiče) hadříkem navlhčeným v mýdlové vodě.

## VOLITELNÉ PŘÍSLUŠENSTVÍ

### **POZOR:**

Pro použití s vaším přístrojem Makita uvedeném v tomto návodu se doporučuje následující příslušenství. Použití jiného příslušenství nebo nástavců může představovat riziko poranění osob. Příslušenství nebo nástavce používejte jenom na účel, k jakému jsou určeny.

Potřebujete-li pomoc nebo další informace o tomto příslušenství, obraťte se na místní servisní centrum Makita.

- Původní baterie a nabíječka Makita

### **POZN.:**

Některé položky na tomto seznamu mohou být součástí balení jako standardní příslušenství. To se v jednotlivých zemích může lišit.

## УКРАЇНСЬКА (Оригінальні інструкції)

1	Телескопічний гачок	2	Світлодіодний смуговий світильник	3	Кнопка	4	картридж для акумулятора	5	Червоний індикатор	6	Індикаторна лампа	7	Контрольна кнопка	8	Стационарна частина світильника (LED-24 шт.)
9	Складна частина світильника (LED-18 шт.)	10	Перемикач	11	Вибір режимів	12	Індикатор низького заряду батареї	13	Рухома частина	14	Гачок металевий	15	Ремінець	16	Кільце
17	Отвір для ремінця	18	Отвір позиціонування затискача	19	Головна смуга	20	Внутрішня планка	21	Затискач-носії	22	Гачок-тримач	23	Обрізана позиція		

## ТЕХНІЧНІ ХАРАКТЕРИСТИКИ

Модель:		DML818
Світло	Світловий потік (Н/М/Л)	1700 лм / 800 лм / 400 лм
	Розміри (Д × Ш × В) (без картриджа для акумулятора)	975 мм × 80 мм × 101 мм
	Номинальна напруга	D.C. 14,4 В / 18 В
	Вага нетто (без картриджа для акумулятора)	1,1 kg
Телескопічний гачок	Розміри (Д × Ш × В) (з затискачами)	1181 мм × 99 мм × 259 мм
	Вага нетто (з затискачами)	1,5 kg
	Доступна ширина *	1130 мм - 1900 мм

- Технічні характеристики можуть відрізнятися в залежності від країни.
- У зв'язку з нашою постійною програмою досліджень та розробок технічні характеристики можуть змінюватися без попереднього повідомлення.
- \* Фактична доступна ширина може відрізнятися залежно від розташування та форми.

## Застосовні картридж для акумулятора й зарядний пристрій

Картридж для акумулятора	14,4 В	BL1415N / BL1430B / BL1440 / BL1460B
	18 В	BL1815N / BL1820B / BL1830B / BL1840B / BL1850B / BL1860B
Зарядний пристрій	DC18RC / DC18RD / DC18RE / DC18SD / DC18SE / DC18SF / DC18SH / DC18WC	

- Залежно від регіону проживання деякі з перелічених вище акумуляторних картриджів можуть не бути у наявності.

**⚠ УВАГА:** Використовуйте лише акумуляторні картриджі, перелічені вище. Використання будь-яких інших акумуляторних картриджів може призвести до травм та/або займання.

## Час роботи

Застосовний акумуляторний картридж	Час роботи (приблизно)		
	Ціле світло ( LED -42 шт. )		
	Максимально допустимий	Середній	Мінімальний
BL1415N	1,0 година	2,2 години	4,0 година
BL1430B	1,6 годин	3,5 годин	7,0 година
BL1440	2,6 годин	5,5 годин	11 година
BL1460B	3,3 година	7,0 година	15 годин
BL1815N	1,3 година	2,8 годин	5,5 годин
BL1820B	1,7 годин	3,5 годин	7,5 годин
BL1830B	2,4 години	5,0 година	10 година
BL1840B	3,0 година	7,0 година	15 годин
BL1850B	4,0 година	9,5 годин	19 годин
BL1860B	5,0 година	11 година	23 година

- Час роботи у вищенаведеній таблиці — це приблизний орієнтир. Він може відрізнятися від фактичного часу роботи.
- Картридж для акумулятора може відрізнятися в залежності від країни.
- Час роботи може відрізнятися залежно від типу батареї, стану заряду та умови використання.



## СИМВОЛИ

Нижче показано символи, які можна використовувати для обладнання. Перед використанням переконайтеся, що ви розумієте їх значення.



- Ознайомтеся з інструкцією з експлуатації.



- Лише для країн ЄС. Через наявність в обладнанні небезпечних матеріалів, відпрацьоване електричне та електронне обладнання, акумулятори та батареї можуть негативно впливати на навколишнє середовище та здоров'я людини. Не викидайте електричні та електронні прилади або батареї разом із побутовими відходами! Відповідно до Директиви ЄС щодо утилізації електричного та електронного обладнання, акумуляторів та батарей та їх утилізації, а також адаптації Директиви до національного законодавства, відпрацьоване електричне обладнання, батареї та акумулятори слід зберігати окремо, та передавати до спеціальних пунктів прийому побутових відходів, які працюють у відповідності з положеннями охорони навколишнього середовища. Про це свідчить символ перекресленого бака для сміття, поміщений на обладнання.



- Оптичне випромінювання (УФ та ІЧ). Зведіть до мінімуму вплив на очі або шкіру.



- Не дивіться на лампу, що працює.



- Використовуйте відповідне екранування або захист очей.



- Проявляйте особливу обережність і уважність!



- Виключно для використання у приміщенні

## ВАЖЛИВІ ІНСТРУКЦІЇ З БЕЗПЕКИ

### ПОПЕРЕДЖЕННЯ:

Щоб зменшити ризик отримання травми, не дивіться на працюючі прилади. Може виникнути серйозна травма очей.

### УВАГА:

При використанні приладів завжди слід дотримуватися основних запобіжних заходів, щоб знизити ризик займання, ураження електричним струмом і отримання травм, у тому числі:

## ОЗНАЙОМТЕСЬ З УСІМА ІНСТРУКЦІЯМИ.

1. Щоб зменшити ризик отримання травм, необхідний ретельний нагляд, коли прилад використовується поблизу дітей.
2. Щоб зменшити ризик ураження електричним струмом, не занурюйте пристрій у воду чи іншу рідину. Не ставте та не зберігайте прилад у місці, де він може впасти або бути затягнутим у ванну чи раковину.
3. Не накривайте прилад тканиною, картоном тощо. Інакше це може призвести до займання.
4. Не торкайтеся деталей всередині приладу пінцетом, металевими інструментами тощо.
5. Бережіть від дощу або снігу. Не мийте його водою.
6. Не торкайтеся деталей всередині приладу пінцетом, металевими інструментами тощо.
7. Не торкайтеся гарячих частин.
8. Якщо прилад не використовується, завжди вимикайте його й витягайте акумуляторний картридж із приладу.
9. Прилад не можна кидати, ударяти тощо.
10. Використовуйте лише насадки, рекомендовані або продані виробником.
11. Зберігайте прилад у приміщенні, коли він не використовується. Зберігати в недоступному для дітей місці.
12. Інформація щодо безпеки для портативних світильників з акумуляторними батареями.
- Утилізація акумуляторної батареї повинна відповідати місцевим нормативним вимогам, які стосуються утилізації небезпечних матеріалів.
- Не спалюйте акумуляторну батарею.
13. Додаткова інформація щодо світильників.
- Джерело світла у цьому світильнику не підлягає заміні; після закінчення експлуатаційного терміну джерела світла, необхідно замінити весь світильник.
14. Користування та догляд за акумуляторним інструментом.
- **ПОПЕРЕДЖЕННЯ:** Ознайомтеся з усіма попередженнями й інструкціями з безпеки. Недотримання вимог, які містяться в попередженнях та інструкціях, може призвести до удару електричним струмом, пожежі та/або серйозних ушкоджень.
- Запобігайте ненавмисному пуску. Перед підключенням до акумуляторного блоку, підняттям чи перенесенням приладу переконайтеся, що вимикач перебуває у вимкненому положенні. Якщо при перенесенні ви будете тримати палець на вимикачі приладу або заряджати його, це може призвести до нещасних випадків.
- Перед будь-якими налаштуваннями, зміною приладдя чи зберіганням приладу від'єднайте акумуляторний блок від приладу. Такі профілактичні заходи знижують ризик випадкового запуску приладу.
- Заряджайте тільки за допомогою зарядного пристрою, вказаного виробником. Зарядний пристрій, що підходить для одного типу акумуляторних блоків, може створити небезпеку займання при використанні з іншим акумуляторним блоком.
- Використовуйте прилади лише із спеціально призначеними акумуляторними блоками. Використання будь-яких інших акумуляторних батарей може призвести до травм і займання.
- Якщо акумуляторний блок не використовується, тримайте його подалі від інших металевих предметів, таких як скріпки для паперу, монети, ключі, цвяхи, гвинти або інші дрібні металеві предмети, які можуть з'єднати один контактний вивід з іншим. Коротке замикання на клеммах акумулятора може призвести до опіків або займання.
- За неналежних умов рідина може викидатися з акумулятора; уникати контактів. Якщо контакт трапився випадково, то змийте її водою. Якщо рідина потрапила в очі, додатково зверніться за медичною допомогою. Рідина, що викидається з акумулятора, може викликати подразнення або опіки.
- Не використовуйте пошкоджений чи змінений акумуляторний блок чи прилад. У пошкоджених або змінених батареях може бути непередбачувана поведінка, що може призвести до займання, вибуху або ризику травматизму.
- Не надавайте акумуляторний блок або прилад впливу вогню або надмірної температури. Вплив вогню або температура більш 130 °C (265 °F) може призвести до вибуху.
- Дотримуйтеся усіх інструкцій по заряджанню та не заряджайте акумулятор або прилад поза діапазоном температур, зазначеним в інструкції. Неправильне заряджання або заряджання при температурах, що виходять за межі зазначеного діапазону, може призвести до пошкодження акумулятора і підвищення ризику загоряння.

- Обслуговування повинно проводитися кваліфікованим фахівцем з ремонту з використанням тільки ідентичних запасних частин. Це забезпечить збереження безпеки виробу.
  - Не змінюйте і не намагайтеся відремонтувати прилад або акумуляторний блок, за винятком випадків, зазначених в інструкції з експлуатації та обслуговування.
15. Важливі інструкції з безпеки для акумуляторного картриджа.
- Перш ніж використовувати акумуляторний картридж, ознайомтесь з усіма вказівками та попереджувальними позначками на (1) зарядному пристрої (2) акумуляторі та (3) виробі, у якому використовується акумулятор.
  - Не розбирайте й не відкривайте акумуляторний картридж. Це може призвести до пожежі, перегріву або вибуху.
  - Якщо час роботи став надмірно коротким, негайно припиніть роботу. Це може призвести до ризику перегріву, можливих опіків і навіть вибуху.
  - Якщо електроліт потрапив вам в очі, негайно промийте їх чистою водою і зверніться до лікаря. Це може призвести до втрати зору.
  - Не закорочуйте акумуляторний картридж.
  - Не зберігайте й не використовуйте інструмент і акумуляторний картридж у місцях, де температура може досягти або перевищити 50 °C (122 °F).
  - Не спалюйте акумуляторний картридж, навіть якщо він сильно пошкоджений або повністю зношений. Акумуляторний картридж може вибухнути при займанні.
  - Не прибивайте цвяхами, не ріжте, не розчавлюйте, не кидайте пристрій, не кидайте акумуляторний картридж і не бийте твердими предметами по цьому. Це може призвести до пожежі, перегріву або вибуху.
  - Не використовуйте пошкоджену батарею.
  - Літій-іонні батареї підпадають під дію вимог законодавства про небезпечні товари. При комерційних перевезеннях, наприклад, третіми особами, експедиторами, треба дотримуватися особливих вимог щодо упаковки та маркування. Для підготовки товару для відправлення необхідна консультація з експертом з питань небезпечних матеріалів. Будь ласка, дотримуйтесь, по можливості, більш детальних національних нормативів. Заклейте стрічкою або закрийте відкриті контакти й упакуйте батарею таким чином, щоб вона не могла пересуватися по упаковці.
  - Використовуйте батареї тільки з виробами, зазначеними Makita. Установка батарей на невідповідні вироби може привести до пожежі, перегріву, вибуху або витіку електроліту.
  - Якщо пристрій не використовується протягом тривалого періоду часу, батарея повинна бути витягнута з пристрою.
  - Під час і після використання акумуляторний картридж може нагріватися, що може призвести до звичайних опіків або низькотемпературних опіків. Зверніть увагу на поводження з гарячими акумуляторними картриджами.
  - Не торкайтесь клем інструменту відразу після використання, оскільки вони можуть нагрітися достатньо, щоб викликати опіки.
  - Не допускайте попадання стружки, пилу або ґрунту в клеми, отвори й пази акумуляторного картриджа. Це може призвести до поганої роботи або поломки інструмента або акумуляторного картриджа.
  - Якщо інструмент не дозволений для використання поблизу високовольтних ліній електропередачі, не використовуйте акумуляторний картридж поблизу високовольтних ліній електропередачі. Це може призвести до виникнення несправності або поломки інструмента або картриджа.
  - Зберігайте акумуляторну батарею в місцях, недоступних для дітей.

## ЗБЕРІГАЙТЕ ЦІ ІНСТРУКЦІЇ.

**⚠ ПОПЕРЕДЖЕННЯ:** Використовуйте тільки оригінальні акумулятори Makita. Використання неоригінальних акумуляторних батарей Makita або модифікованих акумуляторних батарей може призвести до розриву акумуляторної батареї, що спричинить займання, травми й пошкодження. Це також призведе до скасування гарантії Makita на прилад та зарядний пристрій Makita.

16. Поради щодо забезпечення максимального терміну служби батареї.
- Перед повним розрядженням зарядіть акумуляторний картридж. Завжди зупиняйте роботу інструменту і заряджайте акумуляторний картридж, коли ви помічаєте меншу потужність інструменту.
  - Ніколи не заряджайте повністю заряджений акумуляторний картридж. Надмірне зарядження скорочує термін служби батареї.
  - Заряджайте акумуляторний картридж при кімнатній температурі в діапазоні 10 °C - 40 °C (50 °F - 104 °F). Дайте гарячому акумуляторному картриджу охолонути перед зарядженням.
  - Якщо акумуляторний картридж не використовується, вийміть його з інструмента або зарядного пристрою.
  - Зарядіть акумуляторний картридж, якщо ви не використовуєте його протягом тривалого періоду (понад шість місяців).

## ТЕХНІЧНИЙ ОПИС

**⚠ ПОПЕРЕДЖЕННЯ:** Перед регулюванням або перевіркою функцій пристрою завжди переконайтеся в тому, що прилад вимкнений, а акумуляторний картридж витягнутий.

## Встановлення або демонтаж картриджа для акумулятора (Fig. 2)

**⚠ ПОПЕРЕДЖЕННЯ:** Завжди вимикайте прилад, перш ніж встановлювати або знімати картридж з акумулятором.

**⚠ УВАГА:** При установці або витяганні акумуляторного картриджа міцно тримайте пристрій та акумуляторний картридж. Якщо ви не будете міцно тримати прилад і акумуляторний картридж, вони можуть зісковзнути з ваших рук і призвести до пошкодження приладу і акумуляторного картриджа, а також до травм.

Щоб встановити картридж для акумулятора, вирівняйте язичок на батарейному патроні з пазом в корпусі і встановіть його на місце. Вставте його до кінця, поки він не зафіксується на місці невеликим клацанням. Якщо ви бачите червоний індикатор, як показано на малюнку, він не заблокований повністю. Щоб витягти акумуляторний картридж, висуньте його з пристрою, одночасно натискаючи кнопку на передній панелі картриджа.

**⚠ УВАГА:**

Завжди встановлюйте акумуляторний картридж повністю, поки не щезне червоний індикатор. В іншому випадку він може випадково випасти з приладу, завдавши травму вам або комусь з тих, хто оточує.

**⚠ УВАГА:**

Не встановлюйте акумуляторний картридж із застосуванням сили. Якщо картридж не ковзає легко, то він не вставляється правильно.

### Індикація залишкової ємності акумулятора (Fig. 3)

Натисніть контрольну кнопку на акумуляторному картриджі, щоб перевірити залишкову ємність акумулятора. Індикаторні лампи засвітяться на кілька секунд.

Індикаторні лампи			Залишкова ємність
Світить	Вимкнений	Блимає	
■	□	▧	75% - 100%
■	■	□	50% - 75%
■	□	□	25% - 50%
■	□	□	0% - 25%
▧	□	□	Заряджайте батарею.
■	□	□	Можливо, батарея вийшла з ладу.
□	□	■	

**ПРИМІТКА:**

Залежно від умов використання та температури навколишнього середовища індикація може дещо відрізнятися від фактичної ємності.

**ПРИМІТКА:**

Перша (крайня ліва) індикаторна лампа загориться, коли спрацює система захисту акумулятора.

### Система захисту приладу / акумулятора

Прилад оснащений системою захисту, яка автоматично відключає вихідну потужність для тривалого терміну служби.

#### Захист від перезарядження

Якщо ємність акумулятора недостатня, прилад автоматично вимикається. У цьому випадку вийміть батарею з приладу й зарядіть акумуляторну батарею.

#### Захист від інших проблем

Система захисту також розроблена для інших проблем, які можуть пошкодити прилад, і дозволяє приладу автоматично зупинитися. Виконайте всі наступні кроки, якщо прилад тимчасово зупинився або припинив роботу, щоб усунути проблему.

1. Вимкніть прилад, а потім увімкніть його знову, щоб перезапустити.
2. Зарядіть акумулятор(и) або замініть його/їх на заряджені акумулятори.
3. Дайте приладу та акумулятору охолонути.

Якщо перезапуск системи захисту не відновить роботу приладу, зверніться до місцевого сервісного центру Makita.

### Включення вибору режиму освітлення і яскравості (Fig. 4)

**⚠ УВАГА:**

Не дивіться на світло або на джерело світла напряму.

1. Перемикач: Послідовність режимів яскравості є: Високий режим ( Увімк.) / Середній режим / Низький режим / Вимк. з кожним натисканням.
2. Вибір режимів: Послідовність підсвічування така: Ціле світло / Стаціонарна частина світла / Складана частина світла з кожним натисканням, коли перемикач увімкнено.

**ПРИМІТКА:**

Коли ви вмикаєте прилад, він увімкнеться в тому ж режимі освітлення, що й під час останнього використання.

### Індикатор низького заряду батареї (Fig. 5)

Коли заряд батареї стає низьким, світлодіодні індикатори гаснуть, за винятком одного світлодіода, як показано на малюнку. Потім приблизно через п'ять-десять хвилин прилад автоматично вимикається.

## ФУНКЦІОНУВАННЯ

**⚠ УВАГА:**

Поверніть світлодіодний смуговий світильник і складіть складну світлову частину, щоб стабілізувати рівновагу приладу, коли ви ставите прилад у вертикальне положення, як показано на fig.4. Інакше прилад може впасти та можна отримати тілесні ушкодження.

### Кут світлодіодного смугового світильника (Fig. 6, Fig. 7)

**⚠ УВАГА:**

Будьте обережні, щоб не затиснути палець(пальці) при регулюванні кута нахилу світла.

**⚠ УВАГА:**

Переконайтеся, що фіксована та складана світлова частина міцно зафіксовані разом у положеннях складання та розкладання відповідно.

Світлодіодний смуговий світильник можна обертати в сім ступенів на кожні 45°. (90° праворуч і 180° ліворуч)  
Складану світлову частину можна зігнути до 0° або 180°.

### Металевий гачок (Fig. 8)

Підніміть і посуньте металевий гачок у центральне положення, коли використовуєте металевий гачок.

## Ремінь (Fig. 9)

### ⚠ УВАГА:

Не використовуйте кільце та отвір для ремінця для інших цілей, окрім встановлення ремінця. Інакше може призвести до тілесних пошкоджень.

Встановіть ремінь на прилад, як показано на малюнку.

## Встановлення затискачів-носіїв у телескопічний гачок (Fig. 10, Fig. 11)

### ⚠ УВАГА:

Будьте обережні, щоб не защемити палець (пальці), коли встановлюєте затискачі-носії в телескопічний гачок.

Встановіть затискачів-носіїв в телескопічний гачок, як показано на малюнку.

### ПРИМІТКА:

Переконайтеся, що кожен затискач-носіїв вставлено в отвір позиціонування затискача на головній планці.

### ПРИМІТКА:

Переконайтеся, що два затискачі несучої частини встановлені в одному напрямку.

## Встановлення приладу на телескопічний гачок (Fig. 12)

Встановіть прилад на телескопічний гачок за допомогою затискачів-носіїв, як показано на малюнку.

### ПРИМІТКА:

Переконайтеся, що кожен затискач-носіїв утримує закріплене положення приладу.

## Монтажний телескопічний гак (Fig. 13)

### ⚠ УВАГА:

Не вішайте нічого, крім приладу, на телескопічний гачок. Інакше можна пошкодити гачки-тримачі та отримати травму.

### ⚠ УВАГА:

Перед використанням переконайтеся, що кожна частина надійно закріплена.

### ⚠ УВАГА:

Під час кріплення телескопічного гачка тримайте головну планку та гаки-тримачі. Будьте обережні, щоб не затиснути руки та пальці, оскільки внутрішня планка повертається у вихідне положення силою пружин.

Тримайте один гачок-тримач, щоб закріпити його на потрібному місці.

Тримайте інший гачок-тримач, висуваючи телескопічний гачок, щоб закріпити його на потрібному місці (з іншої сторони).

Увімкніть прилад і відрегулюйте кут освітлення приладу, щоб освітлити потрібне місце, як показано на малюнку.

### ПРИМІТКА:

Якщо ви використовуєте важку батарею, обертайте лише світлодіодний смуговий світильник для регулювання кута освітлення.

## ТЕХНІЧНЕ ОБСЛУГОВУВАННЯ

### ⚠ УВАГА:

Перед проведенням огляду або технічного обслуговування завжди переконайтеся в тому, що прилад вимкнений, а акумуляторний картридж витягнутий.

### ПРИМІТКА:

Ніколи не використовуйте бензин, розчинник, розріджувач, спирт тощо. Це може привести до знебарвлення, деформації або утворення тріщин.

Для забезпечення БЕЗПЕКИ і НАДІЙНОСТІ виробу, ремонт, будь-яке інше технічне обслуговування або регулювання повинні виконуватися авторизованими або заводськими сервісними центрами Makita, завжди з використанням запасних частин Makita.

## Очищення

### ⚠ ПОПЕРЕДЖЕННЯ:

Ніколи не мийте прилад у воді.  
Час від часу протирайте зовнішню частину приладу (корпус приладу) тканиною, змоченою в мильному розчині.

## ДОДАТКОВЕ ПРИЛАДДЯ

### ⚠ УВАГА:

Це приладдя або насадки рекомендується використовувати з пристроєм Makita, зазначеним у цьому посібнику. Використання будь-якого іншого приладдя або пристосувань може становити небезпеку отримання травм. Використовуйте приладдя або насадку тільки за призначенням.

Якщо вам потрібна допомога для отримання більш детальної інформації про це приладдя, зверніться до місцевого сервісного центру Makita.

- Оригінальні батарея і зарядний пристрій Makita

### ПРИМІТКА:

Деякі позиції зі списку можуть входити до комплекту приладу як стандартні аксесуари.  
Вони можуть відрізнятися в залежності від країни.

## ROMÂNĂ (Instrucțiuni originale)

1	Cârlig telescopic	2	Bară de lumină LED	3	Buton	4	Blocul acumulatorului	5	Indicator roșu	6	Lampă indicatoare	7	Buton de verificare	8	Partea fixă de lumină (LED-24 buc)
9	Partea pliabilă (LED-18 buc)	10	Comutator	11	Selectare opțiuni	12	Indicator baterie scăzută	13	Partea flexibilă	14	Clema metalică	15	Bandă	16	Inel
17	Orificiu curea	18	Orificii de fixare a suportului	19	Tija principală	20	Tija interioară	21	Clemă tijă	22	Cârlig pentru tijă	23	Poziția de prindere		

## Date tehnice

Model:		DML818
Iluminare	Flux luminos (H/M/L)	1.700 lm /800 lm /400 lm
	Dimensiuni (L × l × Î) (fără blocul acumulatorului)	975 mm × 80 mm × 101 mm
	Tensiune nominală	D.C. 14,4 V / 18 V
	Greutate netă (fără blocul acumulatorului)	1,1 kg
Cârlig telescopic	Dimensiuni (L × l × Î) (cu cleme)	1.181 mm × 99 mm × 259 mm
	Greutate netă (cu cleme)	1,5 kg
	Lățimea disponibilă *	1.130 mm - 1.900 mm

- Specificațiile pot varia în funcție de țară.
- Datorită programului nostru de cercetare și dezvoltare continuă, specificațiile pot fi modificate fără emiterea în prealabil a unei înștiințări.
- \* Lățimea disponibilă reală variază în funcție de poziție și formă.

## Blocul acumulatorului și încărcătorul utilizat

Blocul acumulatorului	14,4 V	BL1415N / BL1430B / BL1440 / BL1460B
	18 V	BL1815N / BL1820B / BL1830B / BL1840B / BL1850B / BL1860B
Încărcător	DC18RC / DC18RD / DC18RE / DC18SD / DC18SE / DC18SF / DC18SH / DC18WC	

- Este posibil ca unele dintre blocurile cu acumulatori indicate mai sus să nu fie disponibile, în funcție de regiunea în care vă aflați.

**⚠️ AVERTISMENT: Utilizați numai blocuri cu acumulatori indicate mai sus.** Utilizarea oricăror alți acumulatori poate crea un risc de vătămare și/sau de incendiu.

## Durata de funcționare

Bloc acumulator utilizat	Durata de funcționare (aproximativă)		
	Toate iluminările (LED-42 buc)		
	Înaltă	Medie	Scăzută
BL1415N	1,0 ore	2,2 ore	4,0 ore
BL1430B	1,6 ore	3,5 ore	7,0 ore
BL1440	2,6 ore	5,5 ore	11 ore
BL1460B	3,3 ore	7,0 ore	15 ore
BL1815N	1,3 ore	2,8 ore	5,5 ore
BL1820B	1,7 ore	3,5 ore	7,5 ore
BL1830B	2,4 ore	5,0 ore	10 ore
BL1840B	3,0 ore	7,0 ore	15 ore
BL1850B	4,0 ore	9,5 ore	19 ore
BL1860B	5,0 ore	11 ore	23 ore

- Duratele de funcționare din tabelul de mai sus au un rol pur orientativ. Acestea pot fi diferite de duratele de funcționare efective.
- Blocul acumulatorului poate prezenta diferențe în funcție de țară.
- Duratele de funcționare pot prezenta diferite date în funcție de tipul acumulatorului, stadiul încărcării și condițiile de utilizare.

## Simboluri

Următoarele sunt simbolurile care se pot utiliza pentru acest dispozitiv. Asigurați-vă că ați înțeles semnificația acestora înainte de utilizare.



- Citiți manualul de instrucțiuni.



- Aplicabile numai pentru țările din UE. Datorită prezentei componentelor daunatoare din dispozitiv și deseurile de echipamente electrice și electronice, acumulatorii și bateriile pot avea efecte negative asupra mediului și sănătății umane. Nu aruncați echipamentele electrice și electronice sau acumulatorii împreună cu gunoii menajer! Conform Directivei Europene privind deseurile de echipamente electrice și electronice, acumulatorii, bateriile și deseurile de baterii și acumulatori, precum și modificările legislației naționale aplicabile, deseurile de echipamente electrice, bateriile și acumulatorii ar trebui depozitate separat și transportate la un punct separat de colectare a gunoii urbane, și care să respecte măsurile de protecție a mediului. Acest simbol este marcat pe cosul de gunoi cu roți tăiat de pe dispozitiv.



- Radiație optică (UV și IR).  
Reduceți la minimum expunerea ochilor și pielii.



- Nu vă uitați direct în lampa aflată în funcțiune.



- Utilizați o ecranare sau o protecție oculară adecvată.



- Manifestați precauție și atenție deosebită în utilizare!



- Numai pentru uz interior

## INSTRUCȚIUNI IMPORTANTE PRIVIND SIGURANȚA

### ⚠️ AVERTISMENT:

Pentru evitarea riscurilor de rănire, nu priviți direct la sistemele de operare. În caz contrar, pot rezulta leziuni oculare grave.

### ⚠️ ATENȚIE:

Atunci când folosiți aparate, trebuie întotdeauna respectate precauțiile de bază privitoare la siguranță pentru a reduce riscul de incendiu, electrocutare și rănire a persoanelor, incluzând următoarele:

## CITIȚI TOATE INSTRUCȚIUNILE.

1. Pentru a reduce riscul de rănire, este necesară o supraveghere atentă atunci când aparatul este utilizat în apropierea copiilor.
2. Pentru a reduce riscul de electrocutare, nu puneți aparatul în apă sau în alt lichid. Nu așezați și nu depozitați aparatul unde poate cădea sau trage într-o cadă sau o chiuvetă.
3. Nu acoperiți niciodată aparatul cu o cârpă, carton sau cu ceva asemănător. În caz contrar, poate provoca un incendiu.

4. Nu atingeți interiorul aparatului cu pensete, unelte metalice etc.
5. Nu expuneți aparatul la ploaie sau zăpadă. Nu o spălați în apă.
6. Nu atingeți interiorul aparatului cu pensete, unelte metalice etc.
7. Nu atingeți piesele fierbinți.
8. În caz de neutilizare, opriți-l întotdeauna și scoateți blocul acumulator din aparat.
9. Nu supuneți aparatul la șocuri provocate prin cădere, lovire etc.
10. Folosiți numai atașamente recomandate sau vândute de producător.
11. Depozitați dispozitivul în interior atunci când nu îl utilizați. A nu se lăsa la îndemâna copiilor.
12. Informații de siguranță pentru corpurile de iluminat portabile cu baterii.
  - La eliminarea bateriei trebuie să se respecte normele locale vizând eliminarea materialelor periculoase.
  - Nu ardeți bateria.
13. Informații suplimentare pentru corpurile de iluminat.
  - Sursa de lumină a acestui corp de iluminat nu poate fi înlocuită; la terminarea duratei de viață a sursei, trebuie înlocuit tot corpul de iluminat.
14. Folosirea și întreținerea uneltei cu acumulator.
  - **AVERTISMENT:** Citiți toate avertismentele și instrucțiunile de siguranță. Nerespectarea avertismentelor și a instrucțiunilor poate provoca electrocutare, incendiu și/sau alte vătămări grave.
  - Preveniți pornirea accidentală. Comutatorul trebuie să fie în poziția de oprire înainte de conectarea la setul de acumulatori și de ridicarea sau transportarea aparatului. Transportarea aparatului cu degetul pe comutator sau punerea sub tensiune a aparatului care are comutatorul în poziția de pornire predispune la accidente.
  - Deconectați setul de acumulatori de la aparat înainte de a efectua orice reglaje, a schimba accesoriile sau de a stoca aparatul. Astfel de măsuri preventive de siguranță reduc riscul de pornire accidentală a aparatului.
  - Reîncărcați numai cu încărcătorul specificat de producător. Un încărcător care este adecvat pentru un tip de pachet de acumulatori poate crea un risc de incendiu când este utilizat cu un alt set de acumulatori.
  - Folosiți aparatele numai cu acumulatorii special desemnați în acest sens. Utilizarea oricăror alți acumulatori poate crea un risc de vătămare și de incendiu.
  - Când bateria nu este utilizată, țineți-o departe de alte obiecte metalice, cum ar fi: agrafe, monede, chei, cuie, șuruburi sau alte obiecte metalice mici care pot face o conexiune de la un terminal la altul. Scurtcircuitarea bornelor acumulatorului poate provoca arsuri sau incendiu.
  - În condiții de utilizare greșită, lichidul poate fi proiectat din acumulator; prin urmare, evitați contactul. În caz de contact accidental, clătiți cu apă. În cazul contactului lichidului cu ochii, consultați un medic. Lichidul care este proiectat din acumulator poate provoca iritații sau arsuri.
  - Nu utilizați un set de acumulatori sau un aparat defect sau modificat. Acumulatorii defecti sau modificați vă pot expune la pericole de tipul incendiilor, exploziilor sau vătămarilor corporale.
  - Nu expuneți seturile de acumulatori sau aparatul la foc sau temperaturi excesive. Expunerea la foc sau la temperaturi de peste 130 °C (265 °F) poate cauza explozii.
  - Respectați toate instrucțiunile de încărcare și nu încărcați setul de acumulatori sau aparatul în afara domeniului de temperaturi specificat în instrucțiuni. Încărcarea inadecvată sau la temperaturi în afara domeniului specificat poate avaria acumulatorii sau poate crește riscul producerii unui incendiu.

- Solicitați efectuarea lucrărilor de service numai de către o persoană calificată în reparații, folosind numai piese de schimb identice. Acest lucru va asigura menținerea securității produsului.
- Nu modificați și nu încercați să reparați aparatul sau setul de acumulatori decât conform indicațiilor din instrucțiunile de utilizare și îngrijire.

#### 15. Instrucțiuni de siguranță importante pentru blocul acumulator.

- Înainte de a utiliza blocul acumulator, citiți toate instrucțiunile și marcajele de atenționare de pe (1) încărcătorul acumulatorului, (2) acumulator și (3) produsul alimentat de la acumulator.
- Nu demontați sau modificați blocul acumulator. Puteți provoca un incendiu, căldură excesivă sau explozie.
- Dacă durata de funcționare s-a redus excesiv, scoateți imediat din funcțiune. Aceasta poate duce la un risc de supraîncălzire, posibile arsuri și chiar o explozie.
- Dacă electrolitul vă intră în ochi, clătiți-l cu apă curată și solicitați imediat asistență medicală. Acest lucru poate duce la pierderea vederii.
- Nu scurtcircuitați blocul acumulator.
- Nu depozitați și utilizați aparatul și blocul acumulator în locuri în care temperatura poate atinge sau depăși 50 °C (122 °F).
- Nu incinerati blocul acumulator, chiar dacă este grav deteriorat sau complet uzat. Blocul acumulator poate exploda într-un incendiu.
- Nu introduceți cuie în blocul acumulator, și aveți grijă să nu tăiați, zdrobiți, scăpați sau să loviți cu un obiect dur blocul acumulator. În caz contrar, puteți provoca incendii, căldură excesivă sau explozii.
- Nu utilizați acumulatorul dacă este deteriorat.
- Acumulatorii cu litiu-ion incluse fac obiectul cerințelor legislației privind mărfurile periculoase. Pentru transporturi comerciale, de ex. transporturi efectuate de terți sau agenți de expediere, se vor respecta cerințele speciale privind ambalarea și etichetarea. Pentru pregătirea articolului expedit, este necesară consultarea unui expert în domeniul materialelor periculoase. Vă rugăm să respectați de asemenea și reglementările naționale, care pot fi mai detaliate. Acoperiți cu bandă sau mascați contactele deschise și împachetați acumulatorul în așa fel încât să nu se poată deplasa în ambalaj.
- Utilizați acumulatorii numai cu produsele specificate de Makita. Instalarea acumulatorilor în produse neconforme poate provoca incendii, căldură excesivă, explozii sau scurgeri de electrolit.
- Dacă unealta nu este utilizată pentru o perioadă lungă de timp, acumulatorul trebuie să fie scos din unealtă.
- În timpul utilizării cât și după utilizare, blocul acumulator poate înmagazina căldură, ceea ce poate provoca arsuri sau arsuri la temperaturi scăzute. Atenție la manipularea blocurilor acumulator fierbinți.
- Nu atingeți borna echipamentului imediat după utilizare, deoarece ar putea fi suficient de fierbinte pentru a provoca arsuri.
- Nu permiteți așchiilor, prafului sau pământului să se blocheze în bornele, orificiile și canelurile blocului acumulator. Poate duce la performanțe slabe sau la defectarea echipamentului sau a blocului acumulator.
- Cu excepția cazului în care echipamentul permite utilizarea în apropierea liniilor electrice de înaltă tensiune, nu folosiți blocul acumulator în apropierea liniilor electrice de înaltă tensiune. Se poate provoca defectarea sau cedarea echipamentului sau a blocului acumulator.
- Nu lăsați acumulatorul la îndemâna copiilor.

## PĂSTRAȚI ACESTE INSTRUCȚIUNI.

**⚠ ATENȚIE:** Utilizați numai acumulatori originali Makita. Utilizarea acumulatorilor Makita neoriginali sau a acumulatorilor care au fost modificați poate duce la explozia acumulatorului, provocând incendii, vătămări personale și daune. De asemenea, se va anula garanția Makita pentru unealta și încărcătorul Makita.

#### 16. Sfaturi pentru menținerea duratei maxime de viață utilă a acumulatorului.

- Încărcați blocul acumulator înainte de a fi descărcat complet.
- Opriți întotdeauna funcționarea și încărcați blocul acumulator atunci când observați mai puțină energie.
- Nu reîncărcați niciodată un bloc acumulator complet încărcat. Supraîncărcarea reduce durata de viață utilă a acumulatorului.
- Încărcați blocul acumulator la temperatura camerei, în intervalul 10 °C - 40 °C (50 °F - 104 °F). Dacă blocul acumulator s-a încălzit, lăsați-l să se răcească înainte de încărcare.
- Când nu utilizați blocul acumulator, scoateți-l din echipament sau din încărcător.
- Încărcați blocul acumulator dacă nu îl utilizați pentru o perioadă lungă de timp (mai mult de șase luni).

## DESCRIEREA FUNCȚIILOR

**⚠ ATENȚIE:** Asigurați-vă întotdeauna că aparatul este oprit și că blocul acumulator este scos înainte de reglarea sau verificarea funcțiilor aparatului.

## Montarea sau demontarea blocului acumulator (Fig. 2)

**⚠ ATENȚIE:** Opriți întotdeauna unealta înainte de instalarea sau scoaterea cartușului acumulatorului.

**⚠ ATENȚIE:** **Țineți ferm aparatul și blocul acumulator atunci când instalați sau scoateți blocul acumulator.** Dacă nu țineți ferm aparatul și blocul acumulator, acestea vă pot aluneca din mâini, putând provoca deteriorarea aparatului și a blocului acumulator, precum și vătămări.

Pentru a monta blocul acumulatorului, aliniați limba de pe blocul acumulatorului cu șanțul din carcasă și faceți-o să gliseze în poziție. Introduceți-o până când se angrenează și auziți un declic. Dacă puteți vedea indicatorul roșu, așa cum este prezentat în figura, acesta nu este blocat complet.

Pentru a scoate blocul acumulator, glisați-l din aparat în timp ce glisați butonul din partea din față a blocului.

### ⚠ ATENȚIE:

Instalați întotdeauna blocul acumulator până la capăt, până ce indicatorul roșu nu mai poate fi văzut. În caz contrar, acesta poate cădea accidental din aparat, provocând vătămări corporale dumneavoastră sau unei persoane din apropiere.

### ⚠ ATENȚIE:

Nu instalați cu forța blocul acumulatorului. Dacă blocul nu glisează ușor la introducere, atunci nu este introdus corect.

## Indicarea capacității rămase a acumulatorului (Fig. 3)

Apăsăți butonul de verificare de pe blocul acumulator pentru a vedea capacitatea rămasă a acumulatorului. Lămpile indicatoare se aprind timp de câteva secunde.

Lămpi indicatoare			Capacitate rămasă
Aprins	Oprit	Aprins intermitent	
■ ■ ■ ■			75% - 100%
■ ■ ■ □			50% - 75%
■ ■ □ □			25% - 50%
■ □ □ □			0% - 25%
▣ □ □ □			Încărcați acumulatorul.
■ ■ □ □ ↑ ↓			Este posibil ca acumulatorul să se fi defectat.

### NOTĂ:

În funcție de condițiile de utilizare și de temperatura ambiantă, indicația poate diferi ușor de capacitatea efectivă.

### NOTĂ:

Prima lampă indicatoare (la stânga) se va aprinde intermitent când funcționează sistemul de protecție a bateriei.

## Sistemul de protecție a aparatului/acumulatorului

Unealta este prevăzută cu un sistem de protecție, care întrerupe automat puterea produsă, pentru a prelungi durata de viață utilă.

### Protecție la descărcare excesivă

Când capacitatea acumulatorului nu este suficientă, aparatul se oprește automat. În acest caz, scoateți acumulatorul din aparat și încărcați acumulatorul.

### Prevenții împotriva altor cauze

Sistemul de protecție este conceput și pentru alte cauze care ar putea deteriora aparatul și are funcția de oprire automată. Urmați următoarele etape pentru a elimina cauzele de oprire temporară sau oprire în timpul funcționării.

1. Opriti aparatul, apoi porniți-l din nou pentru a reporni.
2. Incarcați bateria (bateriile) sau înlocuiți-l (înlocuiți-le) cu bateria (bateriile) reîncărcate/e.
3. Lasati aparatul și bateria (bateriile) să se racească.

Dacă prin restaurarea sistemului de protecție nu a adus nicio îmbunătățire, adresați-vă centrului local de service Makita.

## Aprinderea luminii și selectarea modului de luminozitate (Fig. 4)

### ⚠ ATENȚIE:

Nu priviți în lumină și nu vă uitați direct în sursa de lumină.

1. Comutator: Secvența de luminozitate este: Nivel înalt (Pornire) / Nivel mediu / Nivel scăzut / Oprire la fiecare apăsare.
2. Selectare mod Ordinea fazei de iluminare este: Iluminare întregă / Partea fixă de iluminare / Partea pliabilă la fiecare apăsare pe butonul de pornire.

### NOTĂ:

Când porniți dispozitivul, modul de iluminare va fi în același mod ca la ultima utilizare.

## Indicator baterie scăzută (Fig. 5)

Când bateria este scăzută, toate LED-urile, cu excepția uneia, așa cum se arată în imagine, se sting. După un timp aproximativ de cinci până la zece minute, aparatul se va opri automat.

## FUNCȚIONARE

### ⚠ ATENȚIE:

Rotiți bara de lumină LED și pliați partea luminoasă pliabilă pentru a stabiliza echilibrul aparatului atunci când așezați aparatul în poziția verticală, așa cum este ilustrat în fig.4. În caz contrar, aparatul poate cădea și poate provoca vătămări corporale.

## Unghiul tije de lumină LED (Fig. 6, Fig. 7)

### ⚠ ATENȚIE:

Aveți grijă să nu prindeți degetul(degetele) atunci când ajustați unghiul luminii.

### ⚠ ATENȚIE:

Asigurați-vă ca părțile luminoase fixe și pliabile sunt așezate ferm la poziția de pliere, și respectiv la poziția de derulare.

Bara de lumină LED poate fi rotită în șapte etape la fiecare 45°. (90° la dreapta și 180° la stânga) Partea luminoasă pliabilă poate fi îndoită la 0° sau 180°.

## Clema metalică (Fig. 8)

Când utilizați cârligul metalic, ridicați și glisați cârligul metalic în poziția centrală.

## Cureaua (Fig. 9)

### ⚠ ATENȚIE:

Nu folosiți inelul și orificiul curelei în alt scop decât la instalarea curelei. În caz contrar, poate provoca vătămări corporale.

Instalați cureaua pe aparat așa cum este ilustrat.



## Montați clema tije în interiorul cârligului telescopic (Fig. 10, Fig. 11)

### ATENȚIE:

Aveți grijă să nu prindeți degetul (degetele) atunci când instalați clemele de susținere în cârligul telescopic.

Instalați clemele de susținere în cârligul telescopic, așa cum este prezentat.

### NOTĂ:

Asigurați-vă ca fiecare clemă de susținere este glisată pe orificiul de poziționare a clemei de pe bara principală.

### NOTĂ:

Asigurați-vă ca cele două cleme de susținere sunt instalate în aceeași direcție.

## Instalarea aparatului pe cârlig telescopic (Fig. 12)

Instalați aparatul pe cârligul telescopic lângă clemele de susținere, așa cum este ilustrat.

### NOTĂ:

Asigurați-vă ca fiecare clemă de susținere este fixată în poziția de prindere a dispozitivului.

## Montarea cârligului telescopic (Fig. 13)

### ATENȚIE:

Nu agățați altceva decât aparatul pe cârligul telescopic. În caz contrar, poate provoca deteriorarea cârligului de susținere și poate cauza vătămări corporale.

### ATENȚIE:

Asigurați-vă că fiecare piesă este fixată în siguranță înainte de utilizare.

### ATENȚIE:

Operați ținând bara principală și cârligele suportului la montarea cârligului telescopic. Manipulați cu atenție pentru a evita prinderea degetelor, deoarece tija interioară se revine la poziția inițială prin forța arcurilor.

Țineți cârligul și instalați-l pe poziția dorită.

Țineți o altă clemă de susținere în timp ce extindeți cârligul telescopic pentru a-l monta pe poziția dorită (cealaltă parte).

Porniți dispozitivul și reglați unghiul de iluminare al dispozitivului pentru a vă asigura că luminează poziția dorită așa cum este ilustrat.

### OBSERVAȚIE:

Dacă utilizați o baterie grea, rotiți doar bara de lumină LED pentru reglarea iluminării.

## ÎNTREȚINEREA

### ATENȚIE:

Asigurați-vă întotdeauna că aparatul este oprit și că blocul acumulator este scos înainte de a încerca să efectuați activități de inspecție sau întreținere.

### OBSERVAȚIE:

Nu folosiți niciodată benzină, diluant, alcool sau altele asemenea. Pot rezulta decolorări, deformări sau fisuri.

Pentru a menține SIGURANȚA ȘI FIABILITATEA produsului, reparațiile și orice altă operație de întreținere sau reglare trebuie efectuate de către centrele de service autorizate sau de către centrele de producător Makita, folosindu-se întotdeauna piese de schimb Makita.

## Curățare

### ATENȚIE:

Nu spălați niciodată aparatul în apă. Din când în când, trebuie să ștergeți exteriorul aparatului (corpul aparatului) folosind o cârpă umezită în apă cu săpun.

## ACCESORII OPȚIONALE

### ATENȚIE:

Aceste accesorii sau dispozitive auxiliare sunt recomandate pentru utilizarea cu aparatul Makita specificat în acest manual. Utilizarea oricărui alt accesoriu sau dispozitiv auxiliar poate prezenta un risc de rănire pentru persoane. Utilizați accesoriile sau dispozitivele auxiliare numai în scopul declarat.

Dacă aveți nevoie de asistență pentru mai multe detalii cu privire la aceste accesorii, adresați-vă centrului de service local Makita.

- Acumulator și încărcător originale Makita

### NOTĂ:

Unele articole din listă pot fi incluse ca accesorii standard în ambalajul de scule.

Acestea pot varia în funcție de țară.

## SLOVENŠČINA (Originalna navodila)

1	Teleskopski kavelj	2	Svetlobna palica LED	3	Gumb	4	Vložek za baterije	5	Rdeči indikator	6	Kontrolne lučke	7	Gumb za preverjanje	8	Pritrjeni svetlobni del (LED-24 kosov)
9	Zložljiv svetlobni del (LED-18 kosov)	10	Stikalo	11	Izbirnik načina	12	Indikator prazne baterije	13	Premični del	14	Kovinski kavelj	15	Tračne klešče	16	Obroč
17	Odprtina za jermen	18	Odprtina za namestitev nosilne sponke	19	Glavna palica	20	Notranja palica	21	Nosilna sponka	22	Kavelj za držalo	23	Pripeti položaj		

## SPECIFIKACIJE

Model:		DML818
Svetloba	Svetlobni tok (H/M/L)	1.700 lm /800 lm /400 lm
	Mere (D × Š × V) (brez vložka za baterije)	975 mm × 80 mm × 101 mm
	Nominalna napetost	D.C. 14,4 V / 18 V
	Neto teža (brez vložka za baterije)	1,1 kg
Teleskopski kavelj	Mere (D × Š × V) (s sponkami)	1.181 mm × 99 mm × 259 mm
	Neto teža (s sponkami)	1,5 kg
	Razpoložljiva širina *	1.130 mm - 1.900 mm

- Specifikacije se med državami lahko razlikujejo.
- Zaradi našega stalnega programa raziskav in razvoja se lahko specifikacije v tem dokumentu spremenijo brez predhodnega obvestila.
- \* Dejanska razpoložljiva širina se lahko razlikuje glede na lokacijo in obliko.

## Primeren vložek za baterije in polnilnik

Vložek za baterije	14,4 V	BL1415N / BL1430B / BL1440 / BL1460B
	18 V	BL1815N / BL1820B / BL1830B / BL1840B / BL1850B / BL1860B
Polnilnik	DC18RC / DC18RD / DC18RE / DC18SD / DC18SE / DC18SF / DC18SH / DC18WC	

- Nekateri zgoraj naštetih vložki za baterije morda niso na voljo, odvisno od države, v kateri prebivate.

**⚠ OPOZORILO:** Uporabljajte le zgoraj navedene vložke za baterije. Uporaba drugih vložkov za baterije lahko povzroči poškodbe in/ali požar.

## Čas delovanja

Primeren vložek za baterije	Čas delovanja (približno)		
	Celotna svetloba (LED-42 kosov)		
	Visoko	Sredstvo	Nizko
BL1415N	1,0 ur	2,2 ur	4,0 ur
BL1430B	1,6 ur	3,5 ur	7,0 ur
BL1440	2,6 ur	5,5 ur	11 ur
BL1460B	3,3 ur	7,0 ur	15 ur
BL1815N	1,3 ur	2,8 ur	5,5 ur
BL1820B	1,7 ur	3,5 ur	7,5 ur
BL1830B	2,4 ur	5,0 ur	10 ur
BL1840B	3,0 ur	7,0 ur	15 ur
BL1850B	4,0 ur	9,5 ur	19 ur
BL1860B	5,0 ur	11 ur	23 ur

- Časi delovanja v zgornji preglednici so približne smernice. Lahko se razlikujejo od dejanskih časov delovanja.
- Vložek za baterije se lahko razlikuje od države do države.
- Časi delovanja se lahko razlikujejo glede na vrsto baterije, stanje polnjenja in pogoje uporabe.

## Simboli

V nadaljevanju so prikazani simboli, ki se lahko uporabljajo za opremo. Pred uporabo se prepričajte, da razumete njihov pomen.



- Preberite navodila za uporabo.



- Samo za EU države: Odpadna električna in elektronska oprema, akumulatorji in baterije lahko zaradi prisotnosti nevarnih sestavin v opremi negativno vplivajo na okolje in zdravje ljudi. Električnih in elektronskih naprav ter baterij ne odlagajte skupaj z gospodinjskimi odpadki! V skladu z Evropsko direktivo o odpadni električni in elektronski opremi ter o akumulatorjih in baterijah ter odpadnih akumulatorjih in baterijah, ter z njihovo prilagoditvijo nacionalni zakonodaji, je treba odpadno električno opremo, baterije in akumulatorje ločeno hraniti in jih oddati na zbirnem mestu za komunalne odpadke, ki deluje v skladu s predpisi o varstvu okolja. To je označeno s simbolom prečrtanega zabojnika na kolesih, ki je nameščen na opremi.



- Optično sevanje (UV in IR). Zmanjšajte izpostavljenost oči ali kože.



- Ne strmite se v delujočo svetilko.



- Uporabite ustrezne ščite ali zaščito za oči.



- Bodite še posebej pazljivi in pozorni!



- Samo za uporabo v zaprtih prostorih

## POMEMBNA VARNOSTNA NAVODILA

### OPOZORILO:

Da bi zmanjšali nevarnost poškodb, ne glejte v delujočo napravo. Lahko pride do resnih poškodb oči.

### POZOR:

Pri uporabi naprav je treba vedno upoštevati osnovne varnostne ukrepe za zmanjšanje nevarnosti požara, električnega udara in telesnih poškodb, vključno z naslednjim:

## PREBERITE VSA NAVODILA.

1. Da bi zmanjšali nevarnost poškodb, je pri uporabi naprave v bližini otrok potreben strog nadzor.
2. Da bi zmanjšali nevarnost električnega udara, naprave ne postavljajte v vodo ali drugo tekočino. Naprave ne postavljajte ali shranjujte tako, da bi lahko padla ali jo potegnili v kad ali umivalnik.
3. Naprave ne prekrivajte s krpo, kartonom itd. V nasprotnem primeru lahko povzroči plamen.
4. Ne dotikajte se notranjosti naprave s pinceto, kovinskim orodjem itd.
5. Naprave ne izpostavljajte dežju in snegu. Ne perite ga v vodi.
6. Ne dotikajte se notranjosti naprave s pinceto, kovinskim orodjem itd.
7. Ne dotikajte se vročih delov.
8. Kadar naprave ne uporabljate, jo vedno izklopite in odstranite vložek za baterije.
9. Pazite, da naprava ne bo podvržena udarcem zaradi padcev, trkov itd.
10. Uporabljajte samo dodatke, ki jih priporoča ali prodaja proizvajalec.
11. Kadar izdelka ne uporabljate, ga shranjujte v zaprtih prostorih. Hranite zunaj dosega otrok.
12. Varnostne informacije za prenosne svetilke z baterijami.
  - Odlaganje baterije mora biti v skladu s krajevim predpisi, ki obravnavajo odlaganje nevarnih snovi.
  - Baterije ne sežigajte.
13. Dodatne informacije za svetilke.
  - Svetlobnega vira te svetilke ni mogoče zamenjati; ko se življenjska doba svetlobnega vira izteče, je treba zamenjati celotno svetilko.
14. Uporaba in nega baterijskega orodja.
  - **OPOZORILO:** Preberite vsa varnostna opozorila in navodila. Neupoštevanje opozoril in navodil lahko povzroči električni udar, požar, in/ali resno poškodbo.
  - Izogibajte se nenamernemu vklopu orodja. Prepričajte se, da je stikalo izklopljeno, preden v orodje vstavite baterijski vložek, jo poberete ali prestavite. Pri nošnji naprave s prstom postavljenim na stikalu za vklop, oziroma pri polnjenju naprave z vklopljenim stikalom, lahko pride do nesreč.
  - Pred nastavljanjem, zamenjavo dodatkov ali skladiščenjem naprave odstranite baterijski vložek. Takšni preventivni varnostni ukrepi zmanjšajo tveganje nenamernega vklopa naprave.
  - Polnite le z napajalnikom, ki ga določi proizvajalec. Napajalnik, primeren za eno vrsto baterijskega vložka, predstavlja nevarnost požara, če ga uporabljate z drugim baterijskim vložkom.
  - Naprave uporabljajte le s predpisanimi baterijskimi vložki. Uporaba drugih baterijskih vložkov lahko predstavlja nevarnost poškodbe in požara.
  - Ko baterijskega vložka ne uporabljate, ga varujte pred stikom z drugimi kovinskimi predmeti, kot so sponke, kovanci, ključi, žebli, vijaki ali drugi majhni kovinski predmeti, ki lahko vzpostavijo povezavo med enim in drugim polom. Če kratko sklenete pola baterije, lahko pride do opeklin ali požara.
  - Pri preobremenitvi baterije lahko iz nje brizgne tekočina, katere se ne smete dotikati. Če nezgodno pridete v stik s tekočino, jo sperite z vodo. Če pride tekočina v oči, poiščite zdravniško pomoč. Tekočina, ki brizgne iz baterije, lahko povzroči draženje ali opekline.
  - Ne uporabljajte baterijskega vložka ali naprave, ki je poškodovana ali spremenjena. Poškodovane ali spremenjene baterije lahko imajo nepredvidljivo vedenje, kar lahko privede do požara, eksplozije ali nevarnosti poškodb.
  - Ne izpostavljajte baterijskega vložka ali naprave ognju ali prekomerni temperaturi. Izpostavljanje ognju ali temperaturam nad 130 °C (265 °F) lahko povzroči eksplozijo.
  - Upoštevajte vsa navodila za polnjenje in ne polnite baterijskega vložka na temperaturi, ki je izven predpisanih omejitev v teh navodilih. Nepravilno polnjenje ali pri temperaturi izven določenega obsega lahko poškoduje baterijo in poveča nevarnost požara.
  - Servis naj opravi usposobljen popravilavec, ki lahko uporabi samo originalne nadomestne dele. To bo zagotovilo, da se ohranja varnost naprave.

- Naprave ali baterijskega vložka ne poskušajte spreminjati ali popravljati, razen kot je navedeno v navodilih za uporabo in nego.
- 15. Pomembna varnostna navodila za vložek za baterije.
  - Preden uporabite vložek za baterije, preberite vsa navodila in previdnostne oznake na (1) polnilniku, (2) bateriji in (3) izdelku, ki uporablja baterijo.
  - Vložka za baterije ne razstavljajte ali spreminjajte nedovoljeno. Lahko privede do požara, prekomerne vročine ali eksplozije.
  - Če se čas delovanja občutno skrajša, uporabo takoj prenehajte. To lahko povzroči nevarnost pregrevanja, možne opekline in celo eksplozijo.
  - Če elektrolit pride v oči, jih izperite s čisto vodo in takoj poiščite zdravniško pomoč. Lahko povzroči izgubo vida.
  - Ne povzročite kratkega stika vložka za baterije.
  - Orodja in vložka za baterije ne uporabljajte in ne hranite na mestih, kjer lahko temperatura doseže ali preseže 50 °C (122 °F).
  - Vložka za baterije ne sežigate, tudi če je močno poškodovan ali je popolnoma dotrajan. Vložek za baterije lahko v požaru eksplodira.
  - Ne pribijajte, ne režite, ne drobite, ne mečite, ne spuščajte vložka za baterije in ne udarjajte s trdim predmetom v vložek. Takšno ravnanje lahko privede do požara, prekomerne vročine ali eksplozije.
  - Ne uporabljajte poškodovane baterije.
  - Vsebovane litij-ionske baterije so predmet zahtev zakonodaje za nevarne snovi. Za komercialne prevoze npr. tretje osebe, morajo prevozniki upoštevati posebne zahteve glede embalaže in etiketiranja. Za pripravo pošiljke je potrebno posvetovanje s strokovnjakom za nevarne snovi. Upoštevajte tudi podrobnejše nacionalne predpise. Odprite kontakte prelepitate ali zavarujte in pripravite baterijo tako, da se v embalaži ne more premikati.
  - Baterije uporabljajte samo z izdelki, ki jih je določil proizvajalec Makita. Nameščanje baterij na neskladne izdelke lahko povzroči požar, prekomerno gretje, eksplozijo ali uhajanje elektrolita.
  - Če orodja dlje časa ne uporabljate, odstranite baterijo iz orodja.
  - Med in po uporabi se lahko vložek za baterije segreje, kar lahko vodi do opeklina ali opeklina nizke temperature. Bodite pozorni na ravnanje z vročimi vložki.
  - Ne dotikajte se sponke orodja takoj po uporabi, saj se lahko dovolj segreje, da povzroči opekline.
  - Ne dovolite, da bi se v sponke, odprtine in utore vložka ujeli drobci, prah ali prst. Posledica tega je lahko slaba zmogljivost ali okvara orodja ali vložka.
  - Če orodje ne podpira uporabe v bližini visokonapetostnih električnih vodov, vložka za baterije ne uporabljajte v bližini visokonapetostnih električnih vodov. To lahko privede do nepravilnega delovanja ali okvare orodja ali vložka.
  - Baterijo hranite stran od otrok.

## TA NAVODILA SHRANITE.

**⚠ POZOR:** Uporabljajte samo originalne baterije Makita. Uporaba neoriginalnih baterij Makita ali spremenjenih baterij lahko povzroči, da baterija počí, kar povzroči požar, telesne poškodbe in škodo. Prav tako bo to razveljavilo garancijo Makita za orodje in polnilnik Makita.

16. Nasveti za vzdrževanje maksimalne življenjske dobe baterije.
- Vložek za baterije napolnite, preden se popolnoma izprazni. Vedno prekinite delovanje orodja in napolnite vložek za baterije, ko opazite zmanjšano moč orodja.
  - Nikoli ne polnite popolnoma napolnjenega vložka za baterije. Prekomerno polnjenje skrajša delovno dobo baterije.
  - Polnite vložek za baterije pri sobni temperaturi 10 °C - 40 °C (50 °F - 104 °F). Pred polnjenjem počakajte, da se vroč vložek za baterije ohladi.
  - Če vložka ne uporabljate, ga odstranite iz orodja ali polnilca.
  - Vložek za baterije napolnite, če ga dalj časa ne uporabljate (več kot šest mesecev).

## FUNKCIONALNI OPIS

**⚠ POZOR:** Vedno se prepričajte, da je naprava izklopljena in da je vložek za baterije odstranjen, preden nastavljate ali preverjate delovanje naprave.

## Nameščanje ali odstranjevanje vložka za baterije (Fig. 2)

**⚠ POZOR:** Preden namestite ali odstranite vložek za baterije, napravo vedno izklopite.

**⚠ POZOR:** **Pri vstavljanju ali odstranjevanju vložka za baterije trdno držite napravo in vložek.** Če naprave in vložka za baterije ne boste trdno držali, lahko zdrsne z rok, kar povzroči poškodbe naprave in vložka za baterije ter poškodbe oseb.

Za vstavljanje baterije poravnajte jeziček na vložku za baterije z utorom v ohišju in ga potisnite na svoje mesto. Vstavite ga do konca, dokler se z majhnim klikom ne zaskoči na mestu. Če vidite rdeči indikator, kot je prikazano na sliki, naprava ni popolnoma zaklenjena. Če želite odstraniti vložek za baterije, ga potisnite iz naprave, medtem ko držite gumb na sprednji strani vložka.

**⚠ POZOR:** Vložek za baterije vedno vstavite do konca, dokler rdeč pokazatelj več ni viden. V nasprotnem primeru lahko slučajno pade iz naprave in poškoduje vas ali osebe okoli vas.

**⚠ POZOR:** Vložka za baterije ne vstavljajte s silo. Če vložek v napravo ne zdrsi zlahka, ga ne vstavljate pravilno.

## Nakazuje preostalo zmogljivost baterije (Fig. 3)

Pritisnite gumb za preverjanje na vložku za baterije, da preverite preostalo zmogljivost baterije. Lučke pokazatelja zasvetijo za nekaj sekund.

Kontrolne lučke			Preostala zmogljivost
Osvetljeno	Izklopljeno	Utripanje	
■	□	▨	
■ ■ ■ ■			75 % do 100 %
■ ■ ■ □			50 % do 75 %
■ ■ □ □			25 % do 50 %
■ □ □ □			0 % do 25 %
▨ □ □ □			Napolnite baterijo.
■ ■ □ □	↑ ↓	□ □ ■ ■	Morda se je pojavilo nepravilno delovanje baterije.

### OPOMBA:

Glede na pogoje uporabe in temperaturo okolice se lahko indikacija nekoliko razlikuje od dejanske zmogljivosti.

### OPOMBA:

Prva (skrajno leva) kontrolna lučka bo utripala ob delovanju sistema za zaščito baterije.

## Sistem zaščite stroja/baterije

Orodje je opremljeno z zaščitnim sistemom, ki samodejno izklopi izhodno moč za dolgo življenjsko dobo.

### Zaščita pred prekomernim polnjenjem

Ko zmogljivost baterije ni zadostna, se naprava samodejno ustavi. V tem primeru odstranite baterijo iz naprav in jo napolnite.

### Zaščita pred drugimi vzroki

Zaščitni sistem je namenjen tudi drugim vzrokom, ki lahko škodujejo opremi in povzročijo, da se naprava ustavi samodejno. Sledite naslednjim korakom, da bi odstranili okvaro, ko se aparat zaustavi ali ustavi.

1. Izklopite napravo in ga znova vklopite, da se znova zažene.
2. Polnite baterijo ali nadomestite napolnjeno baterijo.
3. Pustite, da se oprema in baterije ohladijo.

Če se oprema ne izboljša po obnovitvi zaščitnega sistema, pokličite lokalni Makita servisni center.

## Vklop izbire načina luči in osvetlitve (Fig. 4)

### ⚠ POZOR:

Ne glejte v svetlobo ali neposredno v vir svetlobe.

1. Stikalo: Zaporedje osvetlitve je: Način Visoko(Vklopljeno) / Način Srednje / Način Nizko / Izklop za vsak pritisk.
2. Izbirnik načina: Zaporedje prižiganja luči je: Celotna svetloba / pritrjeni svetlobni del / zložljivi svetlobni del za vsak pritisk, ko je stikalo vklopljeno.

### OPOMBA:

Ko vklopite napravo, bo vklopljen v enak način osvetlitve kot ob zadnji uporabi.

## Indikator prazne baterije (Fig. 5)

Ko se baterija izprazni, luči LED ugasnejo, razen ene luči LED, kot je prikazano na sliki. Po približno petih do desetih minutah se naprava samodejno izklopi.

## UPRAVLJANJE

### ⚠ POZOR:

Zavrtite svetlobno palico LED in zložite zložljivi svetlobni del, da stabilizirate ravnotežje naprave, ko ga postavite v pokončni položaj, kot je prikazano na fig. 4. V nasprotnem primeru se lahko naprava prevrne in pride do telesnih poškodb.

## Kot svetlobne palice LED (Fig. 6, Fig. 7)

### ⚠ POZOR:

Pazite, da si med prilagajanjem kota luči ne priščipnete prsta(-ov).

### ⚠ POZOR:

Prepričajte se, da sta pritrjeni in zložljivi svetlobni del trdno zaklenjena v položaju zlaganja oziroma razlaganja.

Svetlobno palico LED lahko zavrtite v sedmih stopnjah za vsakih 45°. (90° v desno in 180° v levo) Zložljivi svetlobni del je mogoče upogniti za 0° ali 180°.

## Kovinski kavelj (Fig. 8)

Pri uporabi kovinskega kavlja ga dvignite in potisnite v sredinski položaj.

## Pas (Fig. 9)

### ⚠ POZOR:

Odprtine za obroč in pas ne uporabljajte za druge namene kot za namestitev pasu. Drugače bodo uporabniki poškodovani.

Pas namestite na napravo, kot je prikazano na sliki.

## Namestitev nosilnih sponk v teleskopski kavelj (Fig. 10, Fig. 11)

### **POZOR:**

Pri nameščanju nosilnih sponk v teleskopski kavelj pazite, da ne stisnete prstov.

Nosilne sponke namestite v teleskopski kavelj, kot je prikazano na sliki.

### **OPOMBA:**

Prepričajte se, da je vsaka nosilna sponka potisnjena v odprtino za namestitev nosilne sponke na glavni palici.

### **OPOMBA:**

Prepričajte se, da sta obe nosilni sponki nameščeni v isti smeri.

## Namestitev naprave na teleskopski kavelj (Fig. 12)

Napravo namestite na teleskopski kavelj s pomočjo nosilnih sponk, kot je prikazano na sliki.

### **OPOMBA:**

Prepričajte se, da vsaka nosilna sponka drži pripeti položaj naprave.

## Namestitev teleskopskega kavljja (Fig. 13)

### **POZOR:**

Na teleskopski kavelj ne obešajte ničesar drugega kot napravo. V nasprotnem primeru bi se kavljja za držalo poškodovali in lahko pride do telesnih poškodb.

### **POZOR:**

Pred uporabo se prepričajte, da so vsi deli varno pritrjeni.

### **POZOR:**

Pri namestitvi teleskopskega kavljja ga upravljajte tako, da držite glavno palico in kavljje za držalo. Pazite, da si ne uščipnete rok in prstov, saj se notranja palica zaradi sile vzmeti vrne v prvotni položaj.

Držite en kavelj za držalo in ga namestite na zeleno mesto.

Med iztegovanjem teleskopskega kavljja držite še en kavelj za držalo in ga namestite na zeleno mesto (drugo stran).

Vklopite napravo in nastavite kot osvetlitve naprave, da osvetli zeleno mesto, kot je prikazano na sliki.

### **OPOMBA:**

Če uporabljate težko baterijo, za nastavitve kota osvetlitve zavrtite samo svetlobno palico LED.

## VZDRŽEVANJE

### **POZOR:**

Vedno se prepričajte, da je orodje izklopljeno, izključeno iz električnega omrežja in da je vložek za baterije odstranjen, preden izvajate pregled ali vzdrževanje.

### **OPOMBA:**

Nikoli ne uporabljajte bencina, benzena, redčila, alkohola in podobnega. Posledica je lahko razbarvanje, deformacije ali razpoke.

Za ohranjanje VARNOSTI in ZANESLJIVOSTI izdelka, lahko popravila ali nastavitve izvajajo le pooblašeni ali tovarniški servisni centri Makita, ki vedno uporabljajo nadomestne dele Makita.

## Čiščenje

### **POZOR:**

Naprave nikdar ne operite z vodo. Občasno obrišite zunanji del naprave (ohišje naprave) s krpo, navlaženo v milnici.

## IZBIRNI DODATKI

### **POZOR:**

Ta dodatna oprema ali dodatki se priporočajo za uporabo z napravo Makita, ki je navedena v tem priročniku. Uporaba druge dodatne opreme ali dodatkov lahko predstavlja nevarnost za telesne poškodbe. Dodatno opremo ali dodatke uporabljajte samo za navedeni namen.

Če potrebujete kakršno koli pomoč za več podrobnosti o tej dodatni opremi, se obrnite na lokalni servisni center Makita.

- Originalna baterija in polnilnik Makita

### **OPOMBA:**

Nekateri elementi s seznama so lahko vključeni v paket naprave kot standardna dodatna oprema. Lahko se razlikujejo od države do države.

## SHQIP (Udhëzimet origjinale)

1	Kapak teleskopik	2	Shirit drite LED	3	Butoni	4	Bateria	5	Treguesi i kuq	6	Drita e treguesit	7	Butoni i kontrollit	8	Pjesa e drites fikse (LED-24 copë)
9	Pjesa e drites të përkohshme (LED-18 copë)	10	Çelësi	11	Selektuesi i modaliteteve	12	Tregues i baterisë së ulët	13	Pjesa e lëvizshme	14	Grep metal	15	Rripi	16	Unaza
17	Vrima e rripit	18	Hole pozicionimi i klipsit të transportuesit	19	Shiriti kryesor	20	Shiriti i brendshëm	21	Klipsi i transportuesit	22	Kabëlli kthyes	23	Pozicioni i kapur		

## SPECIFIKIME

Modeli:		DML818
Drita	Fluksi i drites (I/L/M)	1700 lm /800 lm /400 lm
	Përmasat (Gj × Gj × L) (pa pako baterie)	975 mm × 80 mm × 101 mm
	Voltazhi nominal	D.C. 14,4 V / 18 V
	Pesha neto (pa bateri)	1,1 kg
Kapak teleskopik	Përmasat (Gj × Gj × L) (me klipse)	1181 mm × 99 mm × 259 mm
	Pesha neto (me klipse)	1,5 kg
	Gjërësia e disponueshme *	1130 mm - 1900 mm

- Specifikimet mund të ndryshojnë nga një vend në tjetrin.
- Për shkak të programit tonë të vazhdueshëm të kërkimit dhe zhvillimit, specifikimet këtu mund të ndryshojnë pa paralajmërim.
- \* Gjërësia e vërtetë e disponueshme mund të ndryshojë në varësi të vendndodhjes dhe formës.

## Bateria përkatëse dhe karikuesi

Bateria	14,4 V	BL1415N / BL1430B / BL1440 / BL1460B
	18 V	BL1815N / BL1820B / BL1830B / BL1840B / BL1850B / BL1860B
Karikuesi	DC18RC / DC18RD / DC18RE / DC18SD / DC18SE / DC18SF / DC18SH / DC18WC	

- Disa prej bateritë të listuara më lart mund të mos jenë të disponueshme në varësi të rajonit tuaj të banimit.

**⚠ PARALAJMËRIM:** Përdorni vetëm bateritë e listuara më lart. Përdorimi i ndonjë baterie tjetër mund të shkaktojë lëndim dhe/ose zjarr.

## Koha e funksionimit

Bateria	Koha e funksionimit (përafërsisht)		
	Drita e tërë (LED-42 copë)		
	E lartë	E mesme	E ulët
BL1415N	1,0 orë	2,2 orë	4,0 orë
BL1430B	1,6 orë	3,5 orë	7,0 orë
BL1440	2,6 orë	5,5 orë	11 orë
BL1460B	3,3 orë	7,0 orë	15 orë
BL1815N	1,3 orë	2,8 orë	5,5 orë
BL1820B	1,7 orë	3,5 orë	7,5 orë
BL1830B	2,4 orë	5,0 orë	10 orë
BL1840B	3,0 orë	7,0 orë	15 orë
BL1850B	4,0 orë	9,5 orë	19 orë
BL1860B	5,0 orë	11 orë	23 orë

- Kohët e funksionimit në tabelën më sipër janë vlera të përafërta. Ato mund të ndryshojnë nga vlerat reale të kohës së funksionimit.
- Bateria mund të ndryshojë nga një shtet në tjetrin.
- Kohët e funksionimit mund të ndryshojnë në varësi të llojit të baterisë, statusit të karikimit dhe gjendjes së përdorimit.

## Simbolet

Më poshtë shfaqen simbolet që mund të përdoren për pajisjen. Sigurohuni që e kuptoni kuptimin e tyre përpara përdorimit.



- Lexoni manualin e udhëzimeve.



- Vetëm për vendet e BE-së. Për shkak të pranisë së përbërjeve të rrezikshme në pajisje, pajisjet e mbetura elektrike dhe elektronike, akumulatorët dhe bateritë mund të kenë një ndikim negativ për mjedisin dhe shëndetin e njeriut. Mos i hidhni pajisjet elektrike dhe elektronike ose bateritë me mbeturinat shtëpiake! Në përputhje me Direktivën Evropiane për pajisjet e mbetura elektrike e elektronike dhe për akumulatorët dhe bateritë edhe akumulatorët e bateritë të mbetura, si dhe përshtatjen e tyre me ligjin kombëtar, pajisjet e mbetura elektrike, bateritë dhe akumulatorët duhet të ruhen veçmas dhe të dërgohen në një pikë grumbullimi të veçantë për mbetjet komunale, duke u operuar në përputhje me rregulloret për mbrojtjen e mjedisit. Kjo tregohet nga simboli i koshit me rrota të kryqëzuar të vendosur në pajisje.



- Rrezatimi optik (UV dhe IR). Minimizoni ekspozimin ndaj syve ose lëkurës.



- Mos ia ngulni sytë llambës.



- Përdorni mbrojtje të duhur ose mbrojtjen e syve.



- Kujdes dhe vëmendje të veçantë!



- Për përdorim brenda vetëm

## UDHËZIME TË RËNDËSISHME PËR SIGURINË

### ⚠ PARALAJMËRIM:

Për të zvogëluar rrezikun e lëndimit, mos merrni parasysh pajisjet në veprim. Mund të ndodhë lëndim serioz i syve.

### ⚠ KUJDES:

Kur përdorni pajisje, duhet të ndiqen gjithmonë masat paraprake themelore të sigurisë për të zvogëluar rrezikun nga zjarri, goditjen elektrike dhe lëndimin personal, përfshirë këtu:

## LEXONI TË GJITHA UDHËZIMET.

1. Për të zvogëluar rrezikun e lëndimit, është e nevojshme mbikqyrje e vazhdueshme kur pajisja përdoret pranë fëmijëve.
2. Për të zvogëluar rrezikun e shoku elektrik, mos vendosni pajisjen në ujë ose lëng tjetër. Mos vendosni ose ruani pajisjen aty ku mund të bie ose të tërhiqet në një tabinë ose lavaman.
3. Mos e mbuloni pajisjen me leckë ose karton, etj. Përndryshe mund të shkaktojë flakë.
4. Mos prekni në pjesën e brendshme të pajisjes me pinca, vegla metalike etj.
5. Mos e ekspozoni pajisjen në shi ose borë. Mos e lani në ujë.
6. Mos prekni në pjesën e brendshme të pajisjes me pinca, vegla metalike etj.
7. Mos prekni pjesët e nxehta.
8. Kur pajisja nuk është në përdorim, gjithmonë fikeni dhe hiqni baterinë nga pajisja.
9. Mos shkaktoni goditje të pajisjes nga rrëzimet, përplasjet etj.
10. Përdorni vetëm përbërësit e rekomanduar ose të shitur nga prodhuesi.
11. Ruani produktin brenda kur nuk është në përdorim. Mbani larg nga fëmijët.
12. Informacione sigurie për ndriçuesit portativë me bateri.
  - Flakja e baterisë së përdorur duhet të bëhet në përputhje me rregulloret lokale që trajtojnë hedhjen e materialeve të rrezikshme.
  - Mos i vini flakën baterisë.
13. Informacione shtesë për ndriçuesit.
  - Burimi i dritës i këtij ndriçuesi nuk është i zëvendësueshëm; kur burimi i dritës arrin fundin e jetës së tij, i gjithë ndriçuesi duhet të ndërrohet.
14. Përdorimi dhe kujdesi për veglën me bateri.
  - PARALAJMËRIM: Lexoni të gjitha udhëzimet dhe paralajmërimet për sigurinë. Mosrespektimi i paralajmërimeve dhe udhëzimeve mund të shkaktojë goditje elektrike, zjarr dhe/ose lëndime të rënda.
  - Parandaloni ndezjen e paqëllimtë. Sigurohuni që çelësi të jetë në pozicionin e fikjes para se të vendosni paketën e baterisë, të ngrini ose mbani pajisjen. Mbatja e pajisjes me gishtin tuaj në çelës ose pajisjen energjetike që ka çelësin të ndezur bëhet shkak për aksidente.
  - Shkëputni paketën e baterisë nga pajisja përpara se të bëni ndonjë rregullim, ndërrim të aksesorëve ose magazinimin e pajisjes. Këto masa parandaluese të sigurisë zvogëlojnë rrezikun e ndezjes së pajisjes aksidentalisht.
  - Karikojeni vetëm me karikuesin e specifikuar nga prodhuesi. Një karikues i përshtatshëm për një lloj pakete baterie mund të krijojë rrezik zjarri kur përdoret me një tjetër paketë baterie.
  - Përdorni pajisje vetëm me paketa baterie të përcaktuara posaçërisht. Përdorimi i çdo tjetër pakete baterie mund të krijojë rrezik lëndimi dhe zjarri.
  - Kur paketa e baterisë nuk është në përdorim, mbajeni larg nga objektet e tjera metalike, si kapëse letre, monedha, çelësa, gozhdë, vida ose objekte të tjera të vogla metalike, të cilat mund të bëjnë lidhje nga një terminal në tjetrin. Qarku i shkurtër i terminaleve të baterisë së mund të shkaktojë djegie ose zjarr.
  - Në kushte abuzive, lëngu mund të nxirret nga bateria; shmangni kontaktin me të. Nëse kontakti ndodh rastësisht, shpëlajeni me ujë. Nëse lëngu bie në kontakt me sytë, kërkoni ndihmë mjekësore krahas kësaj. Lëngu i nxjerrë nga bateria mund të shkaktojë acarim ose djegie.
  - Mos përdorni një paketë baterie ose pajisje që është e dëmtuar ose modifikuar. Bateritë e dëmtuara ose të modifikuara mund të shfaqin sjellje të paparashikueshme që rezultojnë në zjarr, shpërthim ose rrezik dëmtimi.
  - Mos e ekspozoni një paketë baterie ose pajisje ndaj zjarrit ose temperaturës së tepruar. Ekspozimi ndaj zjarrit ose temperaturës mbi 130 °C (265 °F) mund të shkaktojë shpërthim.
  - Ndiqni të gjitha udhëzimet e karikimit dhe mos e karikoni paketën e baterisë ose pajisjen jashtë gamës së temperaturës, të specifikuar në udhëzime. Karikimi i gabuar ose në temperatura jashtë kufijve të caktuar mund të dëmtojë baterinë dhe të rrisë rrezikun e zjarrit.



- Bëni që shërbimi të kryhet nga një riparues i kualifikuar duke përdorur vetëm pjesë këmbimi identike. Kjo siguron që siguria e produktit të ruhet.
  - Mos modifikoni ose të përpiqeni të rregulloni pajisjen apo paketën e baterisë, përveç siç tregohet në udhëzimet për përdorim dhe kujdes.
15. Udhëzime të rëndësishme të sigurisë për baterinë.
- Para se të përdorni baterinë, lexoni të gjitha udhëzimet dhe shenjat paralajmëruese mbi (1) karikuesin e baterisë, (2) baterinë dhe (3) produktin që përdor baterinë.
  - Mos e çmontoni ose ndërhyri te bateria. Kjo mund të shkaktojë zjarr, nxehtësi të lartë ose shpërthim.
  - Nëse koha e funksionimit është bërë shumë më e shkurtër, ndaloni menjëherë punën. Mund të rezultojë në rrezik të mbinxehjes, djegie të mundshme, madje edhe në shpërthim.
  - Nëse elektrolitet futet në sytë tuaj, shpëlajini me ujë të pastër dhe menjëherë kërkoni kujdes mjekësor. Mund të rezultojë në humbjen e shikimit tuaj.
  - Mos bëni qark të shkurtër me baterinë.
  - Mos e mbani dhe mos e përdorni veglën dhe baterinë në vende ku temperatura mund të arrijë ose të tejkalojë 50 °C (122 °F).
  - Mos e baterinë edhe nëse është dëmtuar rëndë ose është konsumuar plotësisht. Bateria mund të shpërthejë në zjarr.
  - Mos e shpini, prisni, shtypni, hidhni, rrëzoni baterinë dhe mos e përplasni baterinë me një objekt të fortë. Një sjellje e tillë mund të shkaktojë zjarr, nxehtësi të lartë ose shpërthim.
  - Mos përdorni një bateri të dëmtuar.
  - Bateritë me jone litiumi u nënshtrohen kërkesave të legjisllacionit për mallrat e rrezikshme. Për transporte tregtare p.sh. nga palë të treta, agjentët transporti, duhet të respektohet kërkesa e veçantë për paketimin dhe etiketimin. Për përgatitjen e transportimit të artikullit, kërkohet konsultimi me një ekspert për materiale të rrezikshme. Ju lutemi respektoni rregullat kombëtare ndoshta më të detajuara. Ngjisi me shirit ngjites ose mbulon kontaktet e hapura dhe paketon baterinë në atë mënyrë që të mos lëvizë në paketim.
  - Përdorni bateritë vetëm me produktet e specifikuar nga Makita. Instalimi i baterive në produkte jo në përputhje mund të rezultojë në zjarr, mbinxehje, shpërthim ose rrjedhje të elektrolitit.
  - Nëse vegla nuk përdoret për një periudhë kohore të gjatë, bateria duhet të hiqet nga vegla.
  - Gjatë dhe pas përdorimit, bateria mund të nxehtet, gjë që mund të shkaktojë djegie nga temperatura e lartë ose edhe e ulët. Tregoni kujdes gjatë manovrimit të baterive të nxehta.
  - Mos e prekni terminalin e veglës menjëherë pas përdorimit pasi mund të nxehtet sa të shkaktojë djegie.
  - Mos lejoni ashkla, pluhura ose dhera të mbetura në terminale, vrima dhe kanale të baterisë. Kjo mund të shkaktojë rendiment të ulët ose shkatërrim të veglës ose baterisë.
  - Përveçse nëse vegla mbështet përdorimin në afërsi të linjave elektrike me voltazh të lartë, mos e përdorni baterinë në afërsi të linjave elektrike me voltazh të lartë. Kjo mund të shkaktojë defekt ose shkatërrim të veglës ose baterisë.
  - Mbajeni baterinë larg nga fëmijët.

## RUAJINI KËTO UDHËZIME.

**⚠ KUJDES:** Përdorni vetëm bateri origjinale Makita. Përdorimi i baterive jo origjinale Makita ose baterive që janë ndryshuar, mund të rezultojë në shpërthimin e baterisë duke shkaktuar zjarr, lëndim personal dhe dëmtim. Gjithashtu do të anulohet garancinë e Makita për veglën dhe karikuesin Makita.

16. Këshilla për ruajtje të jetëgjatësisë maksimale të baterisë.
- Karikoni baterinë para se të shkarkohet plotësisht. Ndaloni gjithmonë përdorimin e veglës dhe karikoni baterinë kur vini re një ulje të fuqisë së veglës.
  - Asnjëherë mos karikoni një bateri të karikuar plotësisht. Mbikarikimi shkurton jetëgjatësinë e shërbimit të baterisë.
  - Karikoni baterinë në temperaturën e dhomës në 10 °C - 40 °C (50 °F - 104 °F). Lëreni që bateria e nxehtë të ftohet para se ta karikoni.
  - Kur nuk e përdorni baterinë, hiqeni atë nga vegla ose karikuesi.
  - Karikoni baterinë nëse nuk e përdorni për një periudhë të gjatë (më shumë se gjashtë muaj).

## PËRSHKRIMI FUNKSIONAL

**⚠ KUJDES:** Gjithmonë sigurohuni që pajisja të jetë e fikur dhe bateria të jetë hequr përpara se ta rregulloni ose kontrolloni funksionin në pajisje.

## Instalimi ose heqja e baterisë (Fig. 2)

**⚠ KUJDES:** Gjithmonë çaktivizoni pajisjen para se të instaloni ose heqni kartucën e baterisë.

**⚠ KUJDES:** **Mbajeni fort pajisjen dhe baterinë kur instaloni ose hiqni baterinë.** Mosmbajtja fort e pajisjes dhe baterisë mund të bëjë që të rrëshqasin nga duart tuaja dhe të rezultojë në dëmtimin e pajisjes dhe baterisë si dhe në lëndim personal.

Për të instaluar baterinë, përputheni gjuhëzën e baterisë me kanalën e kasës dhe vendoseni me rrëshqitje. Futeni deri në fund derisa të bllokohet në vend me një klikim të vogël. Nëse mund ta shihni treguesin e kuq siç tregohet në figurë, ai nuk është i kyçur plotësisht. Për të hequr baterinë, rrëshqiteni atë nga pajisja ndërsa rrëshqitni butonin në pjesën e përparme të baterisë.

**⚠ KUJDES:** Gjithmonë instaloni baterinë mirë derisa treguesi i kuq të mos shihet. Nëse jo, mund të bjerë aksidentalisht nga pajisja, duke shkaktuar lëndimin tuaj ose të dikujt përreth jush.

**⚠ KUJDES:** Mos instaloni baterinë me forcë: Nëse bateria nuk rrëshqet lehtë, nuk po futet siç duhet.

## Tregon kapacitetin e mbetur të baterisë (Fig. 3)

Shtypni butonin e kontrollit në bateri për të treguar kapacitetin e mbetur të baterisë. Llambat treguese ndizen për disa sekonda.

Drita e treguesit			Kapaciteti i mbetur
Ndezur	Fikur	Pulsim	
■	■	■	75% deri 100%
■	■	□	50% deri 75%
■	□	□	25% deri 50%
□	□	□	0% deri 25%
▬	□	□	Karikoni baterinë.
■	■	□	Bateria mund të ketë funksionuar keq.
□	□	■	

### SHËNIM:

Në varësi të kushteve të përdorimit dhe temperaturës së ambientit, kapaciteti i treguar mund të ndryshojë pak nga kapaciteti aktual.

### SHËNIM:

Llamba e parë treguese (e fundit majtas) do të pulsojë kur është në funksionim sistemi i mbrojtjes së baterisë.

## Pajisjet / sistemi i mbrojtjes së baterisë

Kjo pajisje është e pajisur me sistem mbrojtje, i cili e ndërpret automatikisht energjinë dalëse për një jetëgjatësi më të madhe shërbimi.

### Mbrojtja nga mbingarkesa

Kur kapaciteti i baterisë nuk është i mjaftueshëm, pajisja ndalon automatikisht punën. Në këtë rast, hiqeni baterinë nga pajisja dhe karikoni baterinë.

### Mbrojtje ndaj shkaqeve të tjera

Sistemi i mbrojtjes është dizajnuar gjithashtu për shkaqe të tjera që mund të dëmtojnë pajisjen dhe lejon që pajisja të ndalohet automatikisht. Merrni të gjitha hapat e mëposhtëm për të menjanuar shkaqet, kur pajisja është ndalur ose ndaluar përkohësisht në punë.

1. Fikeni pajisjen dhe më pas ndizeni përsëri për të rifilluar.
2. Karikoni baterinë (bateritë) ose zëvendësoni me bateri të ringarkuar(a).
3. Lëreni pajisjen dhe baterinë(të) të ftohen.

Nëse nuk ka asnjë përmirësim duke rivendosur sistemin e mbrojtjes, atëherë kontaktoni qendrën tuaj lokale të shërbimit Makita.

## Ndezja e përzgjedhjes së modalitetit të dritës dhe ndriçimit(Fig. 4)

### ⚠ KUJDES:

Mos shikoni drejt dritën dhe mos shikoni drejtpërdrejt në burimin e dritës.

1. Çelësi: Sekuenca e ndriçimit është: Modaliteti i lartë (Në) / Modaliteti mesatar / Modaliteti i ulët / I çaktivizuar për secilën shtypje.
2. Selektuesi i modaliteteve: Sekuenca e ndezjes është: Drita e tërë / Pjesa e drites fikse / Pjesa e drites të përkohshme për secilën shtypje kur kyçja është në ON.

### SHËNIM:

Kur kyçni pajisjen, do të ndizet në të njëjtin modalitet drite si herën e fundit që e përdorni.

## Treguesi i baterisë së ulët (Fig. 5)

Kur bateria bëhet e ulët, dritat LED shuhet, përveç një drite LED siç është ilustruar. Pastaj, rreth pesë deri në dhjetë minuta më pas, pajisja automatikisht çaktivizohet.

## PËRDORIMI

### ⚠ KUJDES:

Rrotulloni shiritin e drites LED dhe zburoni pjesën e drites të përkohshme për të stabilizuar ekuilibrin e pajisjes kur e vendosni pajisjen në pozitën e drejtë siç është treguar në fig. 4. Përndryshe, pajisja mund të rrëzohet dhe të ndodhë lëndim personal.

## Këndi i shiritit të drites LED (Fig. 6, Fig. 7)

### ⚠ KUJDES:

Kujdesuni që të mos bllokoni gishtin(at) kur rregulloni këndin e drites.

### ⚠ KUJDES:

Sigurohuni që pjesa e drites fikse dhe e drites të përkohshme të mbahen të ngjiturë me ngulje të forta në pozicionet e përkuljes dhe zburimit respektivisht.

Shiriti i drites LED mund të rrotullohet në shtatë nivele për çdo 45°. (90° në të djathtë dhe 180° në të majtë) Pjesa e drites të përkohshme mund të përkulë në 0° ose 180°.

## Kabëll metalik (Fig. 8)

Ngrini dhe lëvizni kabëllin metalik në pozicionin qendror kur përdorni kabëllin metalik.

## Rrip (Fig. 9)

### ⚠ KUJDES:

Mos përdorni unazën dhe orificin e rripit për qëllim tjetër përveç instalimit të rripit. Përndryshe mund të ndodhë plagosje personale.

Instaloni rripin në pajisje siç është ilustruar.

## Instalimi i klipseve të transportuesit në kabëllin teleskopik (Fig. 10, Fig. 11)

### **KUJDES:**

Kujdesuni të mos këputni gishtin(e) kur instaloni klipset e transportuesit në kabëllin teleskopik.

Instaloni klipset e transportuesit në kabëllin teleskopik siç është ilustruar.

### **SHËNIM:**

Sigurohuni që çdo klip i transportuesit lëviz në orificinën e pozicionimit të klipsit të transportuesit në shiritin kryesor.

### **SHËNIM:**

Sigurohuni që dy klipset e transportuesit janë të instaluar në të njëjtin drejtim.

## Instalimi i pajisjes në kabëllin teleskopik (Fig. 12)

Instaloni pajisjen në kabëllin teleskopik me ndihmën e klipseve të transportuesit siç është ilustruar.

### **SHËNIM:**

Sigurohuni që çdo klip i transportuesit mban pozicionin e kapjes së pajisjes.

## Montimi i kabëllit teleskopik (Fig. 13)

### **KUJDES:**

Mos varni asgjë tjetër përveç pajisjes në kabëllin teleskopik. Përndryshe, kërkëset do të dëmtohen dhe mund të ndodhë lëndim personal.

### **KUJDES:**

Sigurohuni që çdo pjesë është fiksuar me siguri para përdorimit.

### **KUJDES:**

Operohuni duke mbajtur shiritin kryesor dhe kërkëset kur montoni kabëllin teleskopik. Kujdesuni të mos këputni duar dhe gishta tuaj, sepse shiriti i brendshëm kthehet në pozicionin origjinal me forcën e kangjellave.

Mbajeni një nga kërkëset për ta montuar aty ku dëshironi.

Mbani një tjetër nga kërkëset e mbajtësit ndërsa zgjatni kabëllin teleskopik për ta montuar në vendin e dëshiruar (anë tjetër).

Ndizni pajisjen dhe rregulloni këndin e ndriçimit të pajisjes për të ndriçuar vendin e dëshiruar siç është ilustruar.

### **NJOFTIM:**

Nëse përdorni baterinë e rëndë, rrotulloni vetëm shiritin e drites LED për rregullimin e këndit të ndriçimit.

## MIRËMBAJTJA

### **KUJDES:**

Sigurohuni gjithmonë që pajisja të jetë e fikur dhe bateria të jetë e hequr para se të përpiqeni të kryeni mirëmbajtjen ose inspektimin e saj.

### **NJOFTIM:**

Asnjëherë mos përdorni benzinë, vajguri, hollues, alkool ose të ngjashme. Si rezultat mund të ketë çngjyrosje, deformim ose çarje.

Për të ruajtur QËNDRUESHMËRINË dhe SIGURINË e produktit, riparimet dhe çdo rregullim ose mirëmbajtje tjetër duhet të kryhen nga qendrat e shërbimit të fabrikës ose të autorizuara nga Makita, duke përdorur gjithmonë pjesë ndërrimi Makita.

## Pastrimi

### **KUJDES:**

Asnjëherë mos e lani pajisjen në ujë. Në kohë të caktuar, pastrojeni jashtë pajisjes (trupin e pajisjes) duke përdorur një leckë të lagur në ujë me sapun.

## AKSESORË OPSIONALË

### **KUJDES:**

Këta aksesore ose pjesë shtesë rekomandohen për t'u përdorur me pajisjen tuaj Makita të specifikuar në këtë manual. Përdorimi i ndonjë aksesori ose pjesë shtesë mund të paraqesë rrezik lëndimi të personave. Përdorni vetëm aksesorin ose pjesën shtesë për qëllimin e deklaruar të tij.

Nëse keni nevojë për ndihmë për më shumë detaje në lidhje me këto pajisje, pyesni qendrën tuaj lokale të shërbimit Makita.

- Bateri dhe karikues origjinal Makita

### **SHËNIM:**

Disa artikuj në listë mund të jenë të përfshirë në paketimin e veglës si aksesore standardë.

Këto mund të ndryshojnë nga një vend në tjetrin.

## БЪЛГАРСКИ (Оригинални инструкции)

1	Телескопична кука	2	Светодиодна светлинна лента	3	Бутон	4	Модул на батерията	5	Червен индикатор	6	Индикаторни лампи	7	Бутон за проверка	8	Фиксирана светлинна част (Светодиод-24 бр.)
9	Сгъваема светлинна част (LED-18 бр.)	10	Превключвател	11	Селектор на режими	12	Индикатор за изтощена батерия	13	Подвижна част	14	Метална кука	15	Ремък	16	Пръстен
17	Отвор за захващане на презрамката	18	Отвор за позициониране на носещата скоба	19	Основна лента	20	Вътрешна лента	21	Носеща скоба	22	Кука на държача	23	Подрязана позиция		

## СПЕЦИФИКАЦИИ

Модел:		DML818
Светлина	Светлинен поток (Н/М/Л)	1 700 lm /800 lm /400 lm
	Размери (Д × Ш × В) (без касета с батерия)	975 mm × 80 mm × 101 mm
	Номинално напрежение	D.C. 14,4 V / 18 V
	Нетно тегло (без модула на батерията)	1,1 kg
Телескопична кука	Размери (Д × Ш × В) (с клипове)	1 181 mm × 99 mm × 259 mm
	Нетно тегло (с клипове)	1,5 kg
	Налична ширина *	1 130 mm - 1 900 mm

- Спецификациите могат да се различават в различните държави.
- Поради постоянната ни програма за проучвания и разработки, спецификациите, описани тук, подлежат на промяна без предизвестие.
- \* Действителната налична ширина може да се различава в зависимост от местоположението и формата.

## Приложими модул на батерията и зарядно устройство

Модул на батерията	14,4 V	BL1415N / BL1430B / BL1440 / BL1460B
	18 V	BL1815N / BL1820B / BL1830B / BL1840B / BL1850B / BL1860B
Зарядно устройство	DC18RC / DC18RD / DC18RE / DC18SD / DC18SE / DC18SF / DC18SH / DC18WC	

- Някои от изброените по-горе модули на батерии може да не са налични в зависимост от региона, в който живеете.

**⚠ ПРЕДУПРЕЖДЕНИЕ:** Използвайте само изброените по-горе модули на батерии. Използването на всякакви други модули на батерии може да причини нараняване и/или пожар.

## Време за работа

Приложим модул на батерията	Време за работа (Приблизително)		
	Цяла светлина (Светодиод-42 бр.)		
	Дълго	средно	Кратко
BL1415N	1,0 часа	2,2 часа	4,0 часа
BL1430B	1,6 часа	3,5 часа	7,0 часа
BL1440	2,6 часа	5,5 часа	11 часа
BL1460B	3,3 часа	7,0 часа	15 часа
BL1815N	1,3 часа	2,8 часа	5,5 часа
BL1820B	1,7 часа	3,5 часа	7,5 часа
BL1830B	2,4 часа	5,0 часа	10 часа
BL1840B	3,0 часа	7,0 часа	15 часа
BL1850B	4,0 часа	9,5 часа	19 часа
BL1860B	5,0 часа	11 часа	23 часа

- Времето за работа в горната таблица е за обща насока. То може да се различава от действителното време за работа.
- Модулът на батерията може да се различава в различните държави.
- Времето за работа може да се различава в зависимост от типа на батерията, състоянието на зареждане и условията на използване.

## СИМВОЛИ

По-долу показват символите, които могат да се използват за оборудването. Уверете се, че сте разбрали значението им преди употреба.



- Прочетете ръководството с инструкции.



- Само за страни от ЕС. Поради наличието на опасни компоненти в оборудването, отпадъците от електрическо и електронно оборудване, акумулаторите и батериите могат да правят отрицателно въздействие върху околната среда и човешкото здраве. Не изхвърляйте електрически и електронни уреди или батерии с битови отпадъци! Според Европейската директива за отпадъчно електрическо и електронно оборудване и за акумулатори и батерии и отпадъчни акумулатори и батерии, както и тяхното адаптиране към националното законодателство, отработеното електрическо оборудване, батериите и акумулаторите трябва да се съхраняват отделно и да се доставят до отделен пункт за събиране за битови отпадъци, работещи в съответствие с нормативната уредба за опазване на околната среда. Това се обозначава със символа на зачеркнатия кош на колела, поставен върху оборудването.



- Оптично лъчение (UV и IR). Сведете до минимум излагането на очите или кожата.



- Не гледайте директно към работеща лампа.



- Използвайте подходящи предпазни средства или защита за очите.



- Обърнете специално внимание и бъдете предпазливи!



- Само за употреба на закрито

## ВАЖНИ ИНСТРУКЦИИ ЗА БЕЗОПАСНОСТ

### ⚠ ПРЕДУПРЕЖДЕНИЕ:

За да се намали риска от нараняване, не гледайте в работещите уреди. Може да се получи сериозно нараняване на очите.

### ⚠ ВНИМАНИЕ:

Когато използвате уреди, винаги трябва да се спазват основните мерки за безопасност, за да се намали рискът от пожар, токов удар и телесни повреди, както и следното:

## ПРОЧЕТЕТЕ ВСИЧКИ ИНСТРУКЦИИ.

1. За да се намали риска от нараняване, строг надзор е необходим когато уредът се използва в близост до деца.
2. За да се намали риска от токов удар, не поставяйте уреда във вода или друга течност. Не поставяйте и не съхранявайте уреда на места, където може да падне или да бъде издърпан във вана или мивка.
3. Не покривайте уреда с кърпа, кашони и т. н. В противен случай може да се предизвика пламък.

4. Не докосвайте вътрешността на уреда с пинсети, метални инструменти и т.н.
5. Не излагайте уреда на дъжд или сняг. Не измивайте във вода.
6. Не докосвайте вътрешността на уреда с пинсети, метални инструменти и т.н.
7. Не докосвайте горещи части.
8. Когато уредът не се използва, винаги го изключвайте и изваждайте модула на батерията от него.
9. Не подлагайте уреда на разтърсване от падане, удари и т.н.
10. Използвайте само приставки, препоръчани или продавани от производителя.
11. Съхранявайте продукта на закрито, когато не го използвате. Да се съхранява на място, където недостъпно за деца.
12. Информация относно безопасността при преносими осветителни тела с батерии.
  - Изхвърлянето на батериите трябва да се извършва съгласно местните закони и наредби относно изхвърлянето на опасни материали.
  - Не изгаряйте батерията.
13. Допълнителна информация относно осветителни тела.
  - Източникът на светлина на осветителното тяло не се заменява; когато светлинният източник достигне края на живота си, цялото осветително тяло трябва да се смени.
14. Използване и грижа за инструмента на батерии.
  - **ПРЕДУПРЕЖДЕНИЕ:** Прочетете всички предупреждения за безопасност и инструкции. Неспазването на предупрежденията и инструкциите може да доведе до токов удар, пожар и/или сериозни наранявания.
  - Предотвратете неволно стартиране. Уверете се, че превключвателят е в изключено положение, преди да свържете комплекта батерии, да повдигнете или да пренесете уреда. Носенето на уреда с пръст върху превключвателя или енергизирането на уред с включен превключвател е предпоставка за инциденти.
  - Изключете комплекта батерии от уреда, преди да извършвате каквито и да било настройки, да смените аксесоарите или да оставите уреда за съхранение. Такива превантивни мерки за безопасност намаляват риска от случайно включване на уреда.
  - Презареждайте единствено със зарядното устройство, посочено от производителя. Зарядното устройство, подходящо за един тип комплект батерии, може да създаде риск от пожар, когато се използва с друг комплект батерии.
  - Използвайте уреди само със специално обозначените комплекти батерии. Използването на всякакви други комплекти батерии може да създаде риск от нараняване и пожар.
  - Когато комплектът батерии не се използва, дръжте го далеч от други метални предмети, като кламери, монети, ключове, пирони, винтове или други малки метални предмети, които могат да осъществят връзка между единия и другия терминал. Късото съединение при свързване на терминалите на батерията един към друг може да причини изгаряне или пожар.
  - При неподходящи условия от батерията може да бъде изхвърлена течност; избягвайте контакт. Ако случайно настъпи контакт, промийте мястото с вода. Ако течността влезе в контакт с очите, потърсете медицинска помощ. Изхвърлената от батерията течност може да причини дразнене или изгаряне.
  - Не използвайте повреден или модифициран уред или комплект батерии. Повредените или модифицирани батерии могат да проявят непредвидимо поведение, което да доведе до пожар, експлозия или риск от нараняване.
  - Не излагайте комплект батерии или уред на огън или прекомерна температура. Излагането на огън или температура над 130 °C (265 °F) може да причини експлозия.

- Следвайте всички инструкции за зареждане и не зареждайте комплекта батерии или уреда извън температурния диапазон, посочен в инструкциите. При неправилно зареждане или при температури извън определения диапазон батерията може да бъде повредена и това да увеличи риска от пожар.
  - Необходимо е уредът да бъде обслужван от квалифициран ремонтен персонал, използващ само идентични резервни части. Това ще гарантира запазването на безопасността на продукта.
  - Не модифицирайте и не правете опити да ремонтирате уреда или комплекта батерии по начин, различен от указания в инструкциите за употреба и безопасност.
15. Важни инструкции за безопасност за модула на батерията.
- Преди да използвате модула на батерията, прочетете всички инструкции и предпазните маркировки върху (1) зарядното устройство, (2) батерията и (3) продуктът, използващ батерията.
  - Не разглобявайте или променяйте по друг начин модула на батерията. Това може да доведе до пожар, прекомерна топлина или експлозия.
  - Ако времето за работа е станало прекомерно кратко, прекратете работата незабавно. Това може да доведе до риск от прегряване, възможни изгаряния и дори експлозия.
  - Веднага потърсете медицинска помощ и изплакнете с вода, ако в очите Ви попадне електролит. Това може да доведе до загуба на Вашето зрение.
  - Не предизвиквайте късо съединение в модула на батерията.
  - Не съхранявайте и не използвайте инструмента и модула на батерията на места, където температурата може да достигне или да надвиши 50 °C (122 °F).
  - Не изгаряйте модула на батерията, дори ако той е изключително повреден или е напълно износен. Поставен в огън, модулът на батерията може да експлодира.
  - Не пробивайте с пирони, не режете, не смачквайте, не хвърляйте и не изпускайте модула на батерията и не удряйте модула на батерията в твърди обекти. Този вид действия може да доведат до пожар, прекомерна топлина или експлозия.
  - Не използвайте повредена батерия.
  - Добавените литиево-йонни батерии са обект на изискванията на законодателството за опасни стоки. За търговски превози – напр. от трети страни, спедитори – трябва да се спазват специални изисквания за опаковане и етикетирание. Необходимо е да се консултирате с експерт по опасни материали по отношение на подготовката по изпращането на артикула. Моля, също така спазвайте наличните по-подробни национални разпоредби. Поставете тиксо или изолирайте отворените контактни пластини и опаковайте батерията по такъв начин, че тя да не може да се движи в опаковката.
  - Използвайте батериите само с продуктите, посочени от Makita. Поставянето на батериите в несъответстващи продукти може да доведе до пожар, прекомерна топлина, експлозия или изтичане на електролит.
  - Батерията трябва да бъде извадена от инструмента, ако той не се използва за дълъг период от време.
  - По време на употреба и след употреба модулът на батерията може да се нагрее, което може да доведе до изгаряния или нискотемпературни изгаряния. Внимавайте при боравенето с горещи модули на батерии.
  - Не докосвайте терминала на инструмента непосредствено след употреба, понеже той може да се нагорещи до степен да причини изгаряния.
  - Не допускайте натрупването на стърготини, прах или пръст в терминалите, отворите и жлебовете на модула на батерията. Това може да доведе до лошо функциониране или повреда на инструмента или на модула на батерията.

- Не използвайте модула на батерията в близост до електропроводни линии за високо напрежение освен в случаите когато инструментът позволява използване в близост до такива линии. Това може да доведе до неизправност или повреда на инструмента или на модула на батерията.
- Не позволявайте на деца да имат достъп до батерията.

## ЗАПАЗЕТЕ ТЕЗИ ИНСТРУКЦИИ.

**⚠ ВНИМАНИЕ:** Използвайте единствено оригинални батерии на Makita. Използването на неоригинални батерии Makita или батерии, които са променени, може да доведе до спукване на батерията, което да причини пожари, телесни наранявания и повреди. Това също така ще анулира гаранцията Makita за инструмента и зарядното устройство Makita.

16. Съвети за поддържане на максимално дълъг живот на батерията.
- Заредете модула на батерията, преди да се разрези напълно. Винаги спирайте работа и зареждайте модула на батерията, когато забележите по-малка мощност от страна на инструмента.
  - Никога не презареждайте напълно зареден модул на батерията. Прекомерното зареждане скъсява експлоатационния живот на батерията.
  - Зареждайте модула на батерията при стайна температура от 10 °C – 40 °C (50 °F – 104 °F). Оставете горещия модул на батерията да изстине, преди да го заредите.
  - Изваждайте модула на батерията от инструмента или от зарядното устройство когато не го използвате.
  - Заредете модула на батерията, ако не я използвате за дълъг период от време (повече от шест месеца).

## ФУНКЦИОНАЛНО ОПИСАНИЕ

**⚠ ВНИМАНИЕ:** Винаги се уверявайте, че уредът е изключен и че модулът на батерията е изваден, преди да настроите или проверите дадена функция на уреда.

## Поставяне или отстраняване на модула на батерията (Fig. 2)

**⚠ ВНИМАНИЕ:** Винаги изключвайте уреда, преди да поставяте или изваждате касетата с батерия.

**⚠ ВНИМАНИЕ:** Дръжте уреда и модула на батерията здраво, когато поставяте или отстранявате модула на батерията.

Ако не държите здраво уреда и модула на батерията, те могат да се изплъзнат от ръцете Ви, а това да доведе до повреда на уреда и модула на батерията, както и до телесна повреда.

За да монтирате модула на батерията, изравнете езичето на модула на батерията с жлеба в корпуса и го поставете на място. Поставете го докрай, докато се застопори на място с леко щракване. Ако можете да видите червения индикатор, както е показано на фигурата, той не е заключен напълно.

За да отстраните модула на батерията, плъзнете я от уреда, докато плъзгате бутона върху предната страна на модула.

#### **⚠ ВНИМАНИЕ:**

Винаги поставяйте модула на батерията докрай, докато червеният индикатор не може да се види. Ако не го направите, той може случайно да изпадне от уреда и да причини нараняване на Вас или на някого около Вас.

#### **⚠ ВНИМАНИЕ:**

Не поставяйте насилствено модула на батерията. Ако модулът не се плъзне лесно, значи не е поставен правилно.

### Обозначаване на оставащия капацитет на батерията (Fig. 3)

Натиснете бутона за проверка върху модула на батерията, за да се покаже оставащият капацитет на батерията. Индикаторните лампи светват за няколко секунди.

Индикаторни лампи			Оставащ капацитет
Осветени	Изключени	Мигащи	
■	□	▬	75 % до 100 %
■ ■ ■ ■	□		50 % до 75 %
■ ■ □ □			25 % до 50 %
■ □ □ □			0 % до 25 %
▬ □ □ □			Заредете батерията.
■ ■ □ □	↑ ↓	□ □ ■ ■	Възможно е батерията да е била в неизправност.

#### **ЗАБЕЛЕЖКА:**

В зависимост от условията на употреба и температурата на околната среда, индикацията може слабо да се различава от действителния капацитет.

#### **ЗАБЕЛЕЖКА:**

Първата (най-вляво) индикаторна лампа ще примигва, когато системата за защита на батерията работи.

### Уреда / система за защита на машината / батерията

Уреда е оборудван със система за защита, която автоматично изключва изходната мощност за постигане на дълъг експлоатационен живот.

#### **Защита от свръхразряд**

Когато капацитетът на батерията не е достатъчен, уредът автоматично спира. В този случай отстранете батерията от уреда и я заредете.

#### **Защита срещу други причини**

Системата за защита е проектирана и за други причини, които могат да повредят уреда и позволяват уреда да спре автоматично. Вземайте всички следващи стъпки за изчистване на причините, когато уредът е бил временно спрян или спрян в експлоатация.

1. Изключете уреда и следователно го включете отново, за да го рестартирате.
2. Заредете батериите или ги сменете с презаредени батерии.
3. Оставете уреда и батерията(ите) да изстинат.

Ако не се намери подобрене чрез възстановяване на системата за защита, свържете се с местния сервизен център на Makita.

### Включване на избора за режим на светлина и яркост(Fig. 4)

#### **⚠ ВНИМАНИЕ:**

Не гледайте директно към светлината, нито пък към нейния източник.

1. Превключвател: Последователността на яркостта е: Висок режим (Вкл. ) / Среден режим / Нисък режим / Изкл. за всяко натискане.
2. Селектор на режими: Светлинната последователност е: Цялата светлина / фиксирана светлинна част / сгъваема светлинна част за всяко натискане, когато превключвателят е включен.

#### **ЗАБЕЛЕЖКА:**

Когато включите уреда, той ще бъде включен в същия светлинен режим, както при последното използване.

### Индикатор за изтощена батерия (Fig. 5)

Когато батерията се изтощи, светодиодите изгасват, с изключение на един светодиод, както е показано на илюстрацията. След около пет до десет минути уредът се изключва автоматично.

### РАБОТА

#### **⚠ ВНИМАНИЕ:**

Завъртете светодиодната светлинна лента и сгънете надолу сгъваемата светлинна част, за да стабилизирате баланса на уреда, когато го поставите в изправено положение, както е показано на fig. 4. В противен случай уредът може да се преобърне и да се стигне до нараняване.

### Ъгъл на светодиодна светлинната лента (Fig. 6, Fig. 7)

#### **⚠ ВНИМАНИЕ:**

Внимавайте да не прищипете пръста(ите) си, когато регулирате ъгъла на светлината.

#### **⚠ ВНИМАНИЕ:**

Уверете се, че фиксираната и сгъваемата светлинна част са здраво заключени заедно съответно в сгънато и разгънато положение.

Светодиодната светлинна лента може да се завърта на седем етапа на всеки 45°. (90° надясно и 180° наляво)  
Сгъваемата светлинна част може да се огъва на 0° или 180°.

## Метална кука (Fig. 8)

Повдигайте плъзнете металната кука до централно положение когато използвате металната кука.

## Кайшка (Fig. 9)

### ⚠ ВНИМАНИЕ:

Не използвайте пръстена и отвора за ремъка за други цели, освен за монтиране на ремъка. В противен случай може да възникне телесна повреда.

Монтирайте ремъка върху уреда, както е показано на илюстрацията.

## Монтаж на носещите скоби в телескопичната кука (Fig. 10, Fig. 11)

### ⚠ ВНИМАНИЕ:

Внимавайте да не притиснете пръста(ите) си, когато поставяте щипките на носача в телескопичната кука.

Монтирайте носещите скоби в телескопичната кука, както е показано на илюстрацията.

### ЗАБЕЛЕЖКА:

Уверете се, че всяка носеща скоба е приплъзната към отвора за позициониране на носещата скоба на основната лента.

### ЗАБЕЛЕЖКА:

Уверете се, че двете носещи скоби са в една и съща посока на монтаж.

## Монтиране на уреда на телескопична кука (Fig. 12)

Монтирайте уреда върху телескопичната кука с помощта на носещите скоби, както е показано на илюстрацията.

### ЗАБЕЛЕЖКА:

Уверете се, че всяка носеща скоба задържа закрепеното положение на уреда.

## Монтиране на телескопична кука (Fig. 13)

### ⚠ ВНИМАНИЕ:

Не закачайте на телескопичната кука нищо друго освен уреда. В противен случай куките на държача ще се повредят и може да се стигне до нараняване.

### ⚠ ВНИМАНИЕ:

Уверете се, че всяка част е здраво закрепена преди употреба.

### ⚠ ВНИМАНИЕ:

Работете, като при монтиране на телескопичната кука държите основната щанга и куките на държача. Внимавайте да не притиснете ръцете и пръстите си, тъй като вътрешната лента се връща в първоначалното си положение със силата на пружините.

Задръжте една кука на държача, за да я монтирате на желаното място.

Дръжте друга кука на държача, докато удължавате телескопичната кука, за да я монтирате на желаното място (друга страна).

Включете уреда и регулирайте ъгъла на осветяване на уреда, за да осветите желаното място, както е показано на илюстрацията.

### ИЗВЕСТИЕ:

Ако използвате тежката батерия, завъртете само светодиодна светлинната лента за регулиране на ъгъла на осветяване.

## ПОДДРЪЖКА

### ⚠ ВНИМАНИЕ:

Винаги се уверявайте, че уредът е изключен и че модулът на батерията е отстранен, преди да се опитате да извършите преглед или поддръжка.

### ИЗВЕСТИЕ:

Никога не използвайте бензин, бензен, разреждател, алкохол или други подобни. Възможно е получаването на промяна в цвета, деформация или напукване.

За да запазите БЕЗОПАСНОСТТА и НАДЕЖНОСТТА на продукта, ремонтът, както и всяка друга поддръжка или настройка, трябва да се извършва от оторизирани или фабрични сервизни центрове на Makita, като винаги се използват резервни части на Makita.

## Почистване

### ⚠ ВНИМАНИЕ:

Никога не измивайте уреда във вода. От време на време избърсвайте външната част на уреда (корпуса на уреда) с кърпа, навлажнена със сапунена вода.

## ДОПЪЛНИТЕЛНИ АКСЕСОАРИ

### ⚠ ВНИМАНИЕ:

Тези аксесоари или приставки се препоръчват за използване с Вашия уред Makita, посочен в това ръководство. Използването на други аксесоари или приставки може да бъде предпоставка за риск от нараняване на хора. Използвайте аксесоар или приставка единствено според посоченото предназначение.

Ако имате нужда от помощ по отношение на повече подробности относно тези аксесоари, попитайте местния сервизен център Makita.

- Оригинална батерия и зарядно устройство Makita

### ЗАБЕЛЕЖКА:

Някои елементи от списъка може да са включени в пакета на уреда като стандартни аксесоари. Те могат да се различават в различните държави.



## HRVATSKI (Originalne upute)

1	Izvlačna kuka	2	LED cijev	3	Gumb	4	Uložak s baterijom	5	Crveni indikator	6	Lampice indikatora	7	Gumb za provjeru	8	Fiksni dio svjetiljke (LED-24 komada)
9	Sklopivi dio svjetiljke (LED-18 komada)	10	Prekidač	11	Izbornik načina rada	12	Indikator niske baterije	13	Pokretni dio	14	Metalna kuka	15	Traka	16	Prsten
17	Otvor za remen	18	Otvor za montažu nosive kopče	19	Glavna cijev	20	Unutarnja cijev	21	Nosiva kopča	22	Kuka držača	23	Zarezi na uređaju predviđeni za kopču		

## SPECIFIKACIJE

Model:		DML818
Lampa	Svjetlosni tok izvora svjetla (V/S/N)	1.700 lm / 800 lm / 400 lm
	Dimenzije (D × Š × V) (bez baterijskog uložka)	975 mm × 80 mm × 101 mm
	Nazivni napon	D.C. 14,4 V / 18 V
	Neto težina (bez uložka s baterijom)	1,1 kg
Izvlačna kuka	Dimenzije (D × Š × V) (sa kopčama)	1.181 mm × 99 mm × 259 mm
	Neto težina (sa kopčama)	1,5 kg
	Dostupna širina*	1.130 mm - 1.900 mm

- Specifikacije se mogu razlikovati od zemlje do zemlje.
- Zbog našeg kontinuiranog programa istraživanja i razvoja navedene se specifikacije mogu promijeniti bez obavijesti.
- \* Dostupna širina može varirati ovisno o lokaciji i obliku.

## Relevantni uložak s baterijom i punjač

Uložak s baterijom	14,4 V	BL1415N / BL1430B / BL1440 / BL1460B
	18 V	BL1815N / BL1820B / BL1830B / BL1840B / BL1850B / BL1860B
Punjač	DC18RC / DC18RD / DC18RE / DC18SD / DC18SE / DC18SF / DC18SH / DC18WC	

- Neki od gore navedenih uložaka s baterijom možda neće biti dostupni ovisno o vašoj regiji prebivanja.

**⚠ UPOZORENJE:** Koristite samo gore navedene uloške s baterijama. Korištenje nekih drugih uložaka s baterijom može dovesti do povrede i/ili požara.

## Vrijeme rada

Relevantni uložak s baterijom	Radno vrijeme (približno)		
	Cijela svjetiljka (LED-42 komada)		
	Visoko	Srednje	Nisko
BL1415N	1,0 sati	2,2 sati	4,0 sati
BL1430B	1,6 sati	3,5 sati	7,0 sati
BL1440	2,6 sati	5,5 sati	11 sati
BL1460B	3,3 sati	7,0 sati	15 sati
BL1815N	1,3 sati	2,8 sati	5,5 sati
BL1820B	1,7 sati	3,5 sati	7,5 sati
BL1830B	2,4 sati	5,0 sati	10 sati
BL1840B	3,0 sati	7,0 sati	15 sati
BL1850B	4,0 sati	9,5 sati	19 sati
BL1860B	5,0 sati	11 sati	23 sati

- Vrijeme rada u gornjoj tablici su približna smjernica. Može se razlikovati od stvarnog vremena rada.
- Uložak s baterijom može se razlikovati od zemlje do zemlje.
- Radna vremena se mogu razlikovati ovisno o vrsti baterije, statusu punjenja i stanju korištenja.

## Simboli

Sljedeći prikazuju simbole koji se mogu koristiti za opremu. Pobrinite se da razumijete njihovo značenje prije uporabe.



- Pročitajte priručnik s uputama.



- Samo za zemlje EU Zbog prisutnosti opasnih komponenata u opremi, otpadna električna i elektronička oprema, akumulatori i baterije mogu imati negativan utjecaj na okoliš i zdravlje ljudi. Ne bacajte električne i elektroničke uređaje ili baterije s kućnim otpadom! U skladu s Europskom direktivom o otpadnoj električnoj i elektroničkoj opremi i o akumulatorima i baterijama i otpadnim akumulatorima i baterijama, kao i njihovom prilagodnom nacionalnom zakonu, otpadnu električnu opremu, baterije i akumulatorne treba odvojeno čuvati i dostaviti na posebno sabirno mjesto za komunalni otpad, radeći u skladu s propisima o zaštiti okoliša. To je pokazano simbolom prekržiene kante na kotačima postavljenim na opremi.



- Optička radijacija (UV i IC)  
Minimalno izlaganje očiju ili kože.



- Ne gledati u radnu lampu.



- Koristite odgovarajuću zaštitu ili štitnik za oči.



- Budite iznimno oprezni!



- Samo za unutarnju upotrebu

## VAŽNE SIGURNOSNE UPUTE

### UPOZORENJE:

Kako biste smanjili rizik od ozljeda, nemojte gledati u radne uređaje. Može doći do ozbiljnih ozljeda oka.

### OPREZ:

Kad koristite uređaj, uvijek treba slijediti osnovne sigurnosne mjere opreza kako bi se smanjio rizik od požara, strujnog udara i ozljeda, uključujući sljedeće:

## PROČITAJTE SVE UPUTE.

1. Kako bi se smanjio rizik od ozljeda, potreban je strogi nadzor kada se uređaj koristi u blizini djece.
2. Kako biste smanjili rizik od električnog udara, nemojte uranjati uređaj u vodu ili drugu tekućinu. Nemojte postavljati niti spremati uređaj na mjesto gdje bi mogao pasti ili biti povučen u kadu ili umivaonik.
3. Nemojte prekrivati uređaj tkaninom ili kartonom itd. U protivnom može doći do požara.
4. Ne dodirujte unutrašnjost uređaja pincetom, metalnim alatom, itd.
5. Uređaj nemojte izlagati kiši ili snijegu. Ne perite ga u vodi.
6. Ne dodirujte unutrašnjost uređaja pincetom, metalnim alatom, itd.
7. Ne dirajte vruće dijelove.
8. Kad se uređaj ne koristi uvijek ga isključite i izvadite uložak s baterijom iz uređaja.
9. Nemojte izlagati uređaj udarcima tako da ga ispustite, udarite, itd.
10. Koristite samo dodatke koje preporučuje ili prodaje proizvođač.
11. Čuvajte proizvod u zatvorenom prostoru kada se ne koristi. Čuvati izvan dohvata djece.
12. Sigurnosne informacije za prijenosna rasvjetna tijela s baterijama.
  - Odlaganje baterija mora biti sukladno vašim lokalnim propisima koja se odnose na odlaganje opasnih materijala.
  - Nemojte spaljivati bateriju.
13. Dodatne informacije za rasvjetna tijela.
  - Izvor svjetlosti ove svjetiljke nije zamjenjiv; kada izvor svjetlosti dođe do kraja svojeg životnog vijeka, cijela se svjetiljka treba zamijeniti.
14. Korištenje i održavanje opreme na baterije.
  - UPOZORENJE: Pročitajte sva sigurnosna upozorenja i upute. Ne pridržavanje upozorenja i uputa može dovesti do udara električne struje, požara i/ili ozbiljne ozljede.
  - Spriječite nenamjerno paljenje. Provjerite je li sklopka u „off“ poziciji prije nego spojite s baterijom, prije nego dižete ili nosite uređaj. Nošenje uređaja s prstom na sklopci ili uključivanje u struju uređaja na kojem je sklopka u „on“ poziciji, izazivanje je nezgode.
  - Iskopčajte uložak s baterijom prije bilo kakvih podešavanja, izmjene dodataka ili spremanja električnog uređaja. Ove preventivne sigurnosne mjere smanjuju rizik od slučajnog uključivanja uređaja.
  - Napunite samo s punjačem kojeg je preporučio proizvođač. Punjač koji odgovara jednoj vrsti baterija može prouzročiti vatru ako se koristi s drugim baterijama.
  - Koristite uređaj samo s baterijama koje su za to namijenjene. Korištenje nekih drugih baterija može dovesti do opasnosti od povrede ili vatre.
  - Kad se baterije ne koriste, držite ih što dalje od drugih metalnih predmeta, kao što su spajalice, kovanice, čavli, šarafi ili drugi mali metalni predmeti, koji bi mogli napraviti spoj između jednog i drugog terminala. Kratki spoj između terminala baterije može dovesti do opekotina ili vatre.
  - U slučaju nasilnog postupanja s baterijom, tekućina može izaći iz baterije, izbjegavajte kontakt. Ako slučajno dođe do kontakta, isperite vodom. Ako tekućina dođe u kontakt s očima, zatražite i dodatnu medicinsku njegu. Tekućina koja izađe iz baterije može dovesti do nadražaja ili opekotina.
  - Nemojte koristiti uložak s baterijom ili uređaj koji je oštećen ili izmijenjen. Oštećene ili izmijenjene baterije se mogu ponašati nepredvidivo, što može uzrokovati požar, eksploziju ili rizik od ozljede.
  - Uložak s baterijom ili uređaj nemojte izlagati vatri ili previsokoj temperaturi. Izlaganje vatri ili temperaturi iznad 130 °C (265 °F) može uzrokovati eksploziju.
  - Slijedite sve upute za punjenje i nemojte puniti uložak s baterijom ili uređaj izvan temperaturnog raspona navedenog u uputama. Nepravilno punjenje ili punjenje na temperaturi izvan navedenog raspona može oštetiti uređaj i povećati opasnost od požara.
  - Uređaj treba servisirati kvalificirano osoblje za popravke koristeći samo identične zamjenske dijelove. To će osigurati da proizvod bude siguran.
  - Nemojte mijenjati ili pokušavati popraviti uređaj ili uložak s baterijom, osim kako je navedeno u uputama za korištenje i njegu.

## 15. Važne sigurnosne upute za uložak s baterijom.

- Prije uporabe uložka s baterijom pročitajte sve upute i oznake za oprez na (1) punjaču za bateriju, (2) bateriji i (3) proizvodu koji koristi bateriju.
- Nemojte rastavljati niti mijenjati uložak s baterijom. To može dovesti do požara, pretjerane topline ili eksplozije.
- Ako se radno vrijeme značajno skрати, odmah prestanite s radom. To može dovesti do rizika od pregrijavanja, opekline, pa čak i eksplozije.
- Ako vam u oči dospiju elektroliti, isperite ih čistom vodom i odmah potražite medicinsku pomoć. To može dovesti do gubitka vida.
- Nemojte kratko spajati uložak s baterijom.
- Alat i uložak s baterijom nemojte pohranjivati ni rabiti na mjestima na kojima temperatura može prijeći 50 °C (122 °F).
- Nemojte spaljivati uložak s baterijom čak i ako je jako oštećen ili potpuno istrošen. Uložak s baterijom može eksplodirati u vatri.
- Nemojte prignječiti, pritiskivati, bacati ili ispuštati uložak s baterijom, niti njime udarati od tvrde predmete. Takvo ponašanje može dovesti do požara, pretjerane topline ili eksplozije.
- Ne popravljajte oštećenu bateriju.
- Uključene litij-ionske baterije podliježu zahtjevima Zakona o opasnim dobrima. Za komercijalni transport putem npr. trećih strana, posredničkih agenata, moraju se poštovati posebni zahtjevi o pakiranju i označavanju. Kako biste stavku pripremili za isporuku, potrebno je obratiti se stručnjaku za opasne materijale. Također imajte na umu moguće detaljnije nacionalne propise. Zalijepite ili prekrijte sve otvorene kontakte i zapakirajte bateriju tako da se ne može pomjerati unutar paketa.
- Baterije koristite samo s proizvodima koje odredi Makita. Ugradnja baterija za nesukladne proizvode može dovesti do požara, previsoke topline, eksplozije ili curenja elektrolita.
- Ako se alat ne koristi dulje vrijeme, bateriju treba izvaditi iz alata.
- Tijekom ili nakon korištenja uložak s baterijom može preuzeti toplinu, što može dovesti do opekline ili ozeblina. Pazite kako rukujete ulošcima s baterijom.
- Nemojte dodirivati terminal alata odmah nakon upotrebe jer se može zagrijati dovoljno da uzrokuje opekline.
- Pazite da krhotine, prašina ili zemlja ne dospiju u terminale, otvore i utore na ulošku s baterijom. To može dovesti do slabijeg rada ili kvara alata ili uložka s baterijom.
- Osim ako alat podržava korištenje obližnjih visokonaponskih strujnih vodova, nemojte koristiti uložak s baterijom u njihovoj blizini. To može dovesti do kvara ili oštećenja alata ili uložka s baterijom.
- Držite bateriju dalje od djece.

## SAČUVAJTE OVE UPUTE.

**⚠ OPREZ:** Koristite isključivo Makita baterije. Uporaba baterija koje nisu original Makita ili baterija koje su mijenjanje može dovesti do pucanja baterije što može uzrokovati požar, ozljedu ili štetu. To će također poništiti Makita jamstvo za alat Makita i punjač.

## 16. Savjeti za maksimalno trajanje baterije.

- Uložak s baterijom napunite prije nego se potpuno isprazni. Uvijek prekinite rad alata i napunite uložak s baterijom kad primijetite slabiju snagu uređaja.
- Nikad nemojte puniti posve pun uložak s baterijom. Prepunjavanje skraćuje trajanje baterije.
- Uložak s baterijom puniti na sobnoj temperaturi od 10 °C - 40 °C (50 °F - 104 °F). Ostavite da se uložak s baterijom ohladi prije nego ga počnete puniti.
- Kad ne koristite uložak s baterijom, izvadite ga iz alata ili punjača.
- Uložak s baterijom napunite ako ga niste koristili dulje vrijeme (više od 6 mjeseci).

## FUNKCIONALNI OPIS

**⚠ OPREZ:** Uvijek pazite da je uređaj isključen te da je baterija uklonjena prije prilagođavanja ili provjere njegove funkcije.

## Postavljanje ili uklanjanje uložka s baterijom (Fig. 2)

**⚠ OPREZ:** Prije umetanja ili vađenja baterijskog uložka uvijek isključite uređaj.

**⚠ OPREZ:** Uređaj i uložak s baterijom držite čvrsto kad postavljate ili uklanjate uložak s baterijom. Ako uređaj i uložak s baterijom ne držite čvrsto, mogu vam iskliznuti iz ruke, što može dovesti do oštećenja uređaja i uložka s baterijom, te ozljeda.

Za umetanje uložka s baterijom poravnajte jezičac na ulošku s baterijom sa utorom na kućištu i kliznite ga na mjesto. Umetnite ga do kraja dok se ne blokira na mjestu laganim klikom. Ako možete vidjeti crveni indikator kao što je prikazano na slici, nije potpuno zaključan.

Kako biste uklonili uložak s baterijom izvucite ga s uređaja, gurajući pritom gumb s prednje strane uložka.

**⚠ OPREZ:** Uložak s baterijom uvijek umetnite do kraja, dok crveni indikator prestane biti vidljiv. Ako nije tako, može slučajno ispasti iz uređaja, uzrokujući ozljede vama ili nekome oko vas.

**⚠ OPREZ:** Nemojte uložak s baterijom umetati na silu. Ako ne ulazi lagano, ne umećete ga ispravno.

## Pokazivanje preostalog kapaciteta baterije (Fig. 3)

Pritisnite gumb za provjeru na ulošku s baterijom kako biste pokazali preostali kapacitet baterije. Lampica indikatora se uključuje na nekoliko sekundi.

Lampice indikatora			Preostali kapacitet
Osvijetljeno	Isključeno	Bljeska	
■ ■ ■ ■	□ □ □ □	▬	75% do 100%
■ ■ ■ □	□ □ □ □	▬	50% do 75%
■ ■ □ □	□ □ □ □	▬	25% do 50%
■ □ □ □	□ □ □ □	▬	0% do 25%
▬ □ □ □	□ □ □ □	▬	Napunite bateriju.
■ ■ □ □	□ □ □ □	▬	Baterija je možda u kvaru.

### NAPOMENA:

Ovisno o uvjetima korištenja i okolnoj temperaturi, indikacija se može malo razlikovati od stvarnog kapaciteta.

### NAPOMENA:

Prva (krajna lijeva) lampica indikatora će bljeskati dok sustav za zaštitu baterije radi.

## Sustav za zaštitu uređaj / baterije

Uređaj je opremljen sustavom zaštite koji automatski isključuje izlaznu snagu za dulji vijek trajanja.

### Zaštita od prepunjavanja

Kad kapacitet baterije postane nedovoljan, uređaj se automatski zaustavlja. U tom slučaju izvadite bateriju iz uređaja i napunite je.

### Zaštite od drugih uzroka

Zaštitni sustav je također dizajniran za druge uzroke koji mogu oštetiti uređaj i omogućuje automatsko zaustavljanje uređaja. Poduzmite sve sljedeće korake da biste uklonili uzroke kada je uređaj zaustavljen u radu.

1. Isključite uređaj, a zatim ga ponovno uključite za ponovno pokretanje.
2. Napunite bateriju(e) ili je/ih zamijenite napunjenom(im) baterijom(ama).
3. Pustite da se uređaj i baterija(e) ohlade.

Ako ponovno uspostavljanje zaštitnog sustava ne donese poboljšanje, obratite se svojem lokalnom Makita servisnom centru.

## Uključivanje svjetla i odabir načina svjetline (Fig. 4)

### ⚠ OPREZ:

Nemojte gledati u svjetlo niti izravno gledati u izvor svjetla.

1. Prekidač: Slijed svjetline je: Jako / Srednje / Slabo osvjetljenje / Isključeno za svaki pritisak.
2. Izbornik načina rada: Slijed osvjetljenja je sljedeći: Cijela svjetiljka / Fiksni dio svjetiljke / Preklopni dio svjetiljke pri svakom pritisku kada je prekidač uključen.

### NAPOMENA:

Kada uključite uređaj, on će uključiti isti način osvjetljenja koji ste posljednji put koristili.

## Indikator niske baterije (Fig. 5)

Kada se baterija isprazni, sva LED svjetla se gase osim jednog LED svjetla, kao što je prikazano. Zatim, oko pet do deset minuta kasnije, uređaj se automatski isključuje.

## UPORABA

### ⚠ OPREZ:

Okrenite LED cijev i preklopite preklopni dio svjetiljke kako biste uravnotežili uređaj kada postavite uređaj u uspravan položaj kao što je prikazano na fig.4. U suprotnom, uređaj može pasti i uzrokovati ozljede.

## Kut LED cijevi (Fig. 6, Fig. 7)

### ⚠ OPREZ:

Pazite da ne uhvatite prste dok prilagođavate kut svjetla.

### ⚠ OPREZ:

Provjerite jesu li fiksni i sklopivi dijelovi svjetiljke pričvršćeni zajedno u sklopivom i rasklopivom položaju.

LED cijev se može rotirati u sedam stupnjeva svakih 45°. (90° udesno i 180° ulijevo)  
Sklopivi dio svjetiljke može se saviti do 0° ili 180°.

## Metalna kuka (Fig. 8)

Podignite i pomaknite metalnu kuku u središnji položaj kada je koristite.

## Remen (Fig. 9)

### ⚠ OPREZ:

Nemojte koristiti otvor za prsten i remen u bilo koju drugu svrhu osim za pričvršćivanje remena. Inače može doći do osobne ozljede.

Postavite remen na uređaj kao što je prikazano.

## Postavljanje nosivih kopči u izvlačnu kuku (Fig. 10, Fig. 11)

### **⚠ OPREZ:**

Pazite da ne priklješćite prst(e) kada postavljate nosive kopče u izvlačnu kuku.

Ugradite nosive kopče u izvlačnu kuku kao što je prikazano.

### **NAPOMENA:**

Provjerite je li svaka nosiva kopča postavljena u otvor za pozicioniranje nosive kopče na glavnoj cijevi.

### **NAPOMENA:**

Provjerite jesu li obje nosive kopče postavljene u istom smjeru.

## Postavljanje uređaja na izvlačnu kuku (Fig. 12)

Postavite uređaj na izvlačnu kuku pomoću nosivih kopči kao što je prikazano.

### **NAPOMENA:**

Provjerite je li svaka nosiva kopča zahvaćena u urez na uređaju predviđenom za kopče.

## Montaža izvlačne kuke (Fig. 13)

### **⚠ OPREZ:**

Ne vješajte ništa osim uređaja na izvlačnu kuku. U protivnom bi se oštetile kuke držača i moglo bi doći do ozljeda.

### **⚠ OPREZ:**

Provjerite je li svaki dio dobro pričvršćen prije upotrebe.

### **⚠ OPREZ:**

Držite glavnu cijev i kuke držača kada postavljate izvlačnu kuku. Pazite da ne priklješćite ruke i prste jer se unutarnja cijev vraća u prvobitni položaj pod utjecajem opruga.

Držite jednu kuku držača kako biste ju montirali na željeno mjesto.

Držite drugu kuku držača dok izvlačite izvlačnu kuku kako biste je montirali na željeno mjesto (druga strana).

Uključite uređaj i podesite kut osvjetljenja uređaja da osvijetli željeno mjesto kao što je prikazano na slici.

### **NAPOMENA:**

Ako koristite jaču bateriju, okrenite samo LED cijev kako biste prilagodili kut osvjetljenja.

## ODRŽAVANJE

### **⚠ OPREZ:**

Uvijek pazite da je uređaj isključen, te da je uložak s baterijom uklonjen prije početka pregleda ili održavanja.

### **NAPOMENA:**

Nikad ne koristite benzin, razrjeđivač, alkohol ili nešto slično. Može doći do promjene boje, deformacije ili pukotina.

Kako bi se održavala SIGURNOST i POUZDANOST, popravke i sve ostale radove održavanja ili prilagodbe moraju izvoditi Makita ovlašteni ili tvornički servisni centri koristeći isključivo Makita zamjenske dijelove.

## Čišćenje

### **⚠ OPREZ:**

Uređaj nemojte nikad prati u vodi.

S vremena na vrijeme obrišite vanjsku stranu uređaja (tijelo uređaja) krpom natopljenom sapunicom.

## IZBORNI DODACI

### **⚠ OPREZ:**

Ovi se dodaci ili nastavci preporučuju za korištenje s vašim Makita uređajem navedenim u ovom priručniku. Korištenje drugih dodataka ili nastavaka može predstavljati rizik od ozljede. Dodatke ili nastavke koristite isključivo za njihovu namjenu.

Ako vam treba pomoć ili više pojedinosti o ovim dodacima, obratite se svom lokalnom Makita servisnom centru.

- Originalna baterija i punjač Makita

### **NAPOMENA:**

Neke stavke s popisa mogu biti uključene u paket alata kao standardni dodaci.

Mogu se razlikovati od zemlje do zemlje.

## МАКЕДОНСКИ (Оригинални упатства)

1	Телескопска кука	2	LED светлосна трака	3	Копче	4	Касета на батерија	5	Црвен индикатор	6	Сијалички на индикаторот	7	Копче за проверка	8	Фиксен дел за светлина (LED-24 бр.)
9	Склоплив дел за светлина (LED-18 бр.)	10	Прекинувач	11	Избор на режим	12	Индикатор за ниска батерија	13	Движлив дел	14	Метална кука	15	Ремен	16	Алка
17	Отвор за врвка	18	Позиција за поставување на носачот	19	Главен дел	20	Внатрешен дел	21	Носачки клип	22	Кука за држач	23	Позиција со клип		

## СПЕЦИФИКАЦИИ

Модел:		DML818
Светлина	Светлосен поток (В/С/Н)	1.700 лумена / 800 лумена / 400 лумена
	Димензии (Н × Ш × В) (без батеријска касета)	975 mm × 80 mm × 101 mm
	Номинален напон	D.C. 14,4 V / 18 V
	Нето тежина (без касета за батерија)	1,1 kg
Телескопска кука	Димензии (Н × Ш × В) (со клипси)	1.181 mm × 99 mm × 259 mm
	Нето тежина (со клипси)	1,5 kg
	Достапна широчина *	1.130 mm - 1.900 mm

- Спецификациите може да се разликуваат од држава до држава.
- Поради нашата континуирана програма за истражување и развој, спецификациите што се тука опишани се предмет на промена без најава.
- \* Вистинската достапна широчина може да се разликува во зависност од местото и обликот.

## Специјална касета на батеријата и полнач

Касета на батерија	14,4 V	BL1415N / BL1430B / BL1440 / BL1460B
	18 V	BL1815N / BL1820B / BL1830B / BL1840B / BL1850B / BL1860B
Полнач	DC18RC / DC18RD / DC18RE / DC18SD / DC18SE / DC18SF / DC18SH / DC18WC	

- Некои од касетите на батерии наведени погоре, може да не бидат достапни во зависност од вашиот регион на живеење.

**⚠ ПРЕДУПРЕДУВАЊЕ:** Користете ги само касетите на батерии коишто се погоре наведени. Користењето на било кои други касети на батерии може да предизвика повреда и/или пожар.

## Време на работење

Применлива касета на батеријата	Време на работење (приближно)		
	Цела светлина (LED-42 бр.)		
	Високо	Среден	Ниско
BL1415N	1,0 часа	2,2 часа	4,0 часа
BL1430B	1,6 часа	3,5 часа	7,0 часа
BL1440	2,6 часа	5,5 часа	11 часа
BL1460B	3,3 часа	7,0 часа	15 часа
BL1815N	1,3 часа	2,8 часа	5,5 часа
BL1820B	1,7 часа	3,5 часа	7,5 часа
BL1830B	2,4 часа	5,0 часа	10 часа
BL1840B	3,0 часа	7,0 часа	15 часа
BL1850B	4,0 часа	9,5 часа	19 часа
BL1860B	5,0 часа	11 часа	23 часа

- Времињата на работење дадени во горенаведената табела се само грубо упатство. Тие може да се разликуваат од вистинските времиња на работење.
- Касетата на батеријата може да се разликува од земја до земја.
- Времето на работење може да се разликува во зависност од видот на батеријата, статусот на полнење и условите на користење.

## Симболи

Следните прикажуваат симболите кои може да се користат за опремата. Осигурете се дека сте го разбрале нивното значење пред употребата.



- Прочитајте го упатството за користење.



- Само за земјите од ЕУ Поради присуството на опасни компоненти во опремата, отпадот од електрична и електронска опрема, акумулатори и батерии може да има негативно влијание врз животната средина и здравјето на луѓето. Не фрлајте ги електричните и електронските апарати или батериите со домашен отпад! Во согласност со Европската директива за отпадна електрична и електронска опрема и за акумулатори и батерии и отпадни акумулатори и батерии, како и нивното прилагодување кон националното законодавство, отпадната електрична опрема, батериите и акумулаторите треба да се складираат посебно и да се доставуваат до посебна собирна точка за комунален отпад кој работи согласно прописите за заштита на животната средина. Тоа го покажува симболот на пречкртаната корпа со тркала поставена на опремата.



- Оптичко зрачење (ултравиолетово-UV и инфрацрвено-IR). Смалете ја колку што е можно изложеноста на очите или кожата.



- Не гледајте во ламбата за работа.



- Користете соодветен заштитен штит или заштита за очите.



- Водете посебна грижа и внимание!



- Само за внатрешна употреба

## ВАЖНИ БЕЗБЕДНОСНИ УПАТСТВА

### ⚠ ПРЕДУПРЕДУВАЊЕ:

За намалување на ризикот од повреда, не гледајте во работење на уредите. Може да настане сериозна повреда на очите.

### ⚠ ВНИМАНИЕ:

При користењето на апаратите, основните мерки на претпазливост треба секогаш да се следат, за да се намали ризикот од пожар, електричен удар и лични повреди, вклучувајќи ги и следните нешта:

## ПРОЧИТАЈТЕ ГИ СИТЕ УПАТСТВА.

1. За намалување на ризикот од повреди, е потребен надзор кога уредот се користи во близина на деца.
2. За намалување на ризикот од електричен шок, не ставајте го уредот во вода или други течности. Не ставајте го или не го чувајте уредот таму каде може да падне или да се потегне во када или чесма.
3. Не го покривајте уредот со крпа или картон, итн. Во спротивно може да предизвика пламен.
4. Не допирајте ја внатрешноста на апаратот со пинцети, метални алатки итн.
5. Не го изложувајте апаратот на дожд или снег. Не мијте ја во вода.
6. Не допирајте ја внатрешноста на апаратот со пинцети, метални алатки итн.
7. Не допирајте ги вруците делови.
8. Кога апаратот не е во употреба, секогаш исклучете го и извадете ја касетата на батеријата од апаратот.
9. Не изложувајте ја апаратот на шок од отпуштање од раце, удар инт.
10. Користете само приклучоци кои се препорачани или продавани од производителот.
11. Чувајте го производот во затворена просторија кога не се користи. Држете го подалеку од дофат на децата.
12. Безбедносни информации за преносливи осветлувачи со батерии.
  - Фрлањето на батериите треба да биде во склад со вашите локални прописи што се однесуваат на отстранувањето на опасни материјали.
  - Не ја палете батеријата.
13. Дополнителни информации за осветлувачи.
  - Изворот на светлина на овој светилник не може да се замени; кога изворот на светлина ќе дојде до крајот на својот животен век, целата светилка ќе се замени.
14. Употреба и грижа за батериската алатка.
  - **ПРЕДУПРЕДУВАЊЕ:** Прочитајте ги упатства и предупредувања за безбедност. Доколку не ги следите предупредувањата или упатствата, може да предизвикаат електричен удар, пожар и/или сериозни повреди.
  - Спречете ненамерно стартување на апаратот. Осигурете се дека прекинувачот е во исклучена позиција пред да се поврзете со батерискиот пакет, пред да го подигнете или носите апаратот. Носете го апаратот така што ќе го држите прстот на прекинувачот или на енергетскиот апарат што има прекинувач за несреќни случаи.
  - Исклучете го батерискиот пакет од апаратот пред да направите било какви прилагодувања, да промените додатоци или да го ставите некаде апаратот. Ваквите превентивни безбедносни мерки го намалуваат ризикот од случајно вклучување на апаратот.
  - Полнете ги единствено со полнач одреден од страна на производителот. Полначот што е погоден за еден вид на батериски пакет може да предизвика ризик од пожар ако се користи со некој друг батериски пакет.
  - Користете апарати единствено со специјално одредени батериски пакети. Користењето на било кои други батериски пакети може да создаде ризик од повреди или пожар.
  - Кога батерискиот пакет не е во употреба, чувајте го подалеку од други метални објекти, како што се спојувалки, монети, клучеви, клинџи, шрафови или други мали метални предмети што можат да предизвикаат конекција на еден терминал со друг. Краткиот спој помеѓу терминалите може да предизвика изгореници или пожар.
  - Во услови на злоупотреба, течноста може да излезе од батериите; избегнувајте контакт. Ако дојде до случаен контакт, веднаш исплакнете со вода. Ако дојде до контакт на течноста со очите, дополнително побарајте и медицинска помош. Течноста исфрлена од батеријата може да предизвика иритација или изгореници.
  - Не користете го батерискиот пакет или апарат што се оштетени или изменети. Оштетените или изменети батерии можат да покажат непредвидливо однесување, што може да резултира со пожар, експлозија или ризик од повреда.
  - Не изложувајте го батерискиот пакет или апаратот на прекумерна температура. Изложеноста на пожар или на температури над 130 °C (265 °F) може да предизвика експлозија.

- Следете ги сите упатства за полнење на батериите и не полнете го батерискиот пакет или апаратот надвор од температурниот опсег одреден во упатствата. Неправилното полнење или полнењето на температури надвор од одредениот температурен опсег, може да ја оштети батеријата и да го зголеми ризикот од пожар.
  - Сервисирањето треба да биде изведено од страна на квалификувано лице за поправка, кое што користи само идентични делови за замена. Со ова ќе се осигура дека се одржува безбедноста на производот.
  - Не менувајте, ниту обидувајте се да го поправите апаратот или батерискиот пакет, освен на начинот којшто е наведен во упатствата за користење и грижа.
15. Важни безбедносни упатства за касетата на батеријата.
- Пред да ја користите касетата на батеријата, прочитајте ги сите упатства и ознаки за предупредување за (1) полначот на батериите, (2) батеријата и (3) производот што користи батериите.
  - Не ја расклопувајте и не ја оштетувајте касетата на батеријата. Тоа може да предизвика пламен, преголемо загревање или експлозија.
  - Ако времето на работење станало многу кратко, веднаш престанете со работењето. Тоа може да резултира со ризик од прегревање, можни изгореници, па дури и експлозија.
  - Ако електролитот ви влезе во очите, исплакнете ги со чиста вода и веднаш побарајте медицинска помош. Тоа може да резултира со губење на видот.
  - Не скратувајте ја касетата на батеријата.
  - Не складирајте и користете го апаратот и касетата на батеријата на места каде што температурата може да достигне или надмине 50 °C (122 °F).
  - Не палете ја касетата на батеријата дури и ако е сериозно оштетена или целосно истрошена. Касетата на батеријата може да експлодира во пожар.
  - Немојте да ја заковувате, сечете, кршите, фрлате или удирате касетата на батеријата од тврд предмет. Тоа може да предизвика пламен, преголемо загревање или експлозија.
  - Не користете оштетена батерија.
  - Содржаните литијум-јонски батериите подлежат на законските барања за опасни материи. За комерцијалните транспорти, на пример за трети страни, агентите за шпедиција, мораат да се почитуваат посебните барања за пакување и етикетирање. За подготовка на предметот којшто се испорачува, потребна е консултација со експерт за опасни материјали. Ве молиме почитувајте ги и евентуално подеталните национални регулативи. Залепете ги со лента или маскирајте ги отворените контакти и спакувајте ја батеријата на таков начин, што нема да може да се движи во пакувањето.
  - Користете ги батериите единствено со производите одредени од Makita. Инсталирањето на батериите во несоодветни производи може да резултира со пожар, прекумерна топлина, експлозија или истекување на електролитот.
  - Ако алатот не се користи подолг временски период, батеријата мора да се отстрани од него.
  - За време на употребата и после употребата, касетата на батеријата може да поприми топлина која може да предизвика изгореници. Внимавајте кога ги допирајте загреаните касети на батеријата.
  - Не допирајте го терминалот на касетата веднаш по употреба бидејќи може да биде толку загреан што ќе ви предизвика изгореници.
  - Не дозволувајте деланки, прав или нечистотија да навлезе во терминалите и отворите на касетата на батеријата. Тоа може да предизвика слаби перформанси или расипување на уредот или на касетата на батеријата.
  - Освен ако уредот не е наменет за употреба во близина на високонапонска струја, не ја користете касетата на батеријата во близина на високонапонска струја. Тоа може да предизвика лошо функционирање или расипување на уредот или на касетата на батеријата.
  - Чувајте ја батеријата подалеку од деца.

## ЗАЧУВАЈТЕ ГИ ОВИЕ УПАТСТВА.

**⚠ ВНИМАНИЕ:** Користете само оригинални Makita батериите. Користењето на неоригинални Makita батериите, или батериите што биле изменети, може да резултира со пукање на батеријата што ќе предизвика пожар, лични повреди и оштетувања. Тоа исто така ќе ја поништи Makita гаранцијата за Makita алатот и полначот.

16. Совети за одржување на максималниот рок на траење на батеријата.
- Наполнете ја касетата на батеријата пред целосно да се испразни. Секогаш запрете го работењето на алатката и наполнете ја касетата на батеријата, кога ќе забележите помала моќност на алатката.
  - Никогаш не полнете ја до крај касетата на батеријата. Преполнувањето го скратува работниот век на батеријата.
  - Касетата на батеријата полнете ја на собна температура на 10 °C - 40 °C (50 °F - 104 °F). Пред полнењето оставете ја врелата касета на батеријата да се излади.
  - Кога не ја користите касетата на батеријата, извадете ја од уредот или од полначот.
  - Наполнете ја касетата на батеријата ако не планирате да ја користите подолг временски период (повеќе од шест месеци).

## ОПИС НА ФУНКЦИЈАТА

**⚠ ВНИМАНИЕ:** Секогаш осигурете се дека апаратот е исклучен и касетата на батеријата е отстранета, пред да ја прилагодите или проверите функцијата на апаратот.

## Инсталирање или отстранување на касетата на батеријата (Fig. 2)

**⚠ ВНИМАНИЕ:** Секогаш исклучете го уредот пред да ставите или отстраните батеријска касета.

**⚠ ВНИМАНИЕ:** Држете ги цврсто апаратот и касетата на батеријата, кога ќе ја инсталирате или отстранувате касетата на батеријата. Неисполнувањето на условот за цврсто држење на апаратот и касетата на батеријата, може да предизвика нивно лизгање од вашите раце и да резултира со оштетување на апаратот и касетата на батеријата и лична повреда.

За да ја инсталирате касетата на батеријата, порамнете го јазичето на касетата на батеријата со жлебот на кукиштето и лизнете ја на своето место. Вметнете ја целосно, сè додека не легне на своето место и не се чуе мало кликување. Ако можете да го видите црвеното светло прикажано на сликата, заклучувањето не е целосно. За да ја отстраните касетата на батеријата, лизнете ја од апаратот додека го лизгате копчето на предната страна од касетата.



### **⚠ ВНИМАНИЕ:**

Секогаш инсталирајте ја во целост касетата на батеријата, сè додека црвениот индикатор не може да биде виден. Ако не постапите така, таа може случајно да испадне од апаратот, предизвикувајќи повреда кај вас или на некој кој што е околу вас.

### **⚠ ВНИМАНИЕ:**

Немојте со сила да ја инсталирате касетата на батеријата. Ако касетата на батеријата не лизне лесно внатре, тогаш не е правилно вметната.

## **Означување на преостанатиот капацитет на батеријата (Fig. 3)**

Притиснете го копчето за проверка на касетата на батеријата, за да се означи преостанатиот капацитет на батеријата. Сијаличките на индикаторот светнуваат во текот на неколку секунди.

Сијалички на индикаторот			Преостанат капацитет
Осветлено	Исклучено	Трепкање	
■ ■ ■ ■	□ □ □ □	▣	75% до 100%
■ ■ ■ □	□ □ □ □	▣	50% до 75%
■ ■ □ □	□ □ □ □	▣	25% до 50%
■ □ □ □	□ □ □ □	▣	0% до 25%
▣ □ □ □	□ □ □ □	▣	Наполни ја батеријата.
■ □ □ □ ↑ ↓ □ □ ■ ■	□ □ □ □	▣	Батеријата може да има дефект.

### **ЗАБЕЛЕШКА:**

Во зависност од условите за користење и температурата на околината, индикаторот може малку да се разликува од вистинскиот капацитет.

### **ЗАБЕЛЕШКА:**

Првата (лево на крај) светилка на индикаторот ќе светка кога ќе работи заштитниот систем на батеријата.

## **Систем за заштита на апарати / батеријата**

Апарат е опремена со систем за заштита, којшто автоматски ја прекинува излезната моќност, заради постигнување на долг работен век.

### **Заштита од преголемо празнење**

Кога капацитетот на батеријата ќе биде низок, уредот автоматски ќе престане да работи. Во тој случај, извадете ја батеријата од апаратот и наполнете ја.

### **Заштити против други причини**

Заштитниот систем е дизајниран и за други причини кои би можеле да го оштетат апаратот и дозволуваат апаратот автоматски да запре. Земете сите од следниве чекори за да ја избришете причини, кога апаратот е доведена до привремен прекин или станица во работењето.

1. Исклучете го апаратот, а потоа повторно вклучете го за да се рестартира.
2. Наполнете ги акумулаторите или заменете ги со наполнети батерии.

3. Оставете го апаратот и батеријата да се оладат.

Ако не може да се најде подобрување со обновување на системот за заштита, тогаш контактирајте го вашиот локален сервисен центар на Makita.

## **Вклучување на изборот на режим на светлина и осветленост (Fig. 4)**

### **⚠ ВНИМАНИЕ:**

Не гледајте директно во светлото или изворот на светлина.

1. Прекинувач: Секвенцата на осветленост е: Висок режим (Вклучено) / Среден режим / Нисок режим / Исклучено за секое притискање.
2. Изборник на режим: Секвенцата на светлосниот режим е: Цела светлина / Фиксен дел за светлина / Склоплив дел за светлина за секое притискање кога преклопувачот е вклучен.

### **ЗАБЕЛЕШКА:**

Кога ќе го вклучите уредот, тој ќе биде вклучен во истиот светлосен режим како последниот пат кога сте го користеле.

## **Индикатор за ниска батерија (Fig. 5)**

Кога батеријата станува ниска, светлата на LED исчезнуваат освен една LED светилка како што е илустрирано. Потоа, приближно пет до десет минути подоцна, уредот автоматски се исклучува.

## **РАБОТЕЊЕ**

### **⚠ ВНИМАНИЕ:**

Ротирајте го LED светилото и склопете го склопливиот дел за светлина за да стабилизирате балансот на уредот кога го ставате уредот во вертикална позиција како што е прикажано на fig.4. Во спротивно, уредот може да падне и да предизвика лични повреди.

## **Агол на LED светлосната трака (Fig. 6, Fig. 7)**

### **⚠ ВНИМАНИЕ:**

Внимавајте да не заглавите прст(и) при прилагодувањето на аголот на осветлувањето.

### **⚠ ВНИМАНИЕ:**

Обезбедете се дека фиксниот и склопливиот дел за светлина се затегнати здружени во склопување и расклопување позиции, соодветно.

LED светлосната трака може да се ротира во седум стапки за секои 45°. (90° надесно и 180° налево) Склопливиот дел за светлина може да се измрти на 0° или 180°.

## **Метална кука (Fig. 8)**

Подигнете и преместете го металниот кука на централна позиција кога го користите металниот кука.

## Ремен (Fig. 9)

### ⚠ ВНИМАНИЕ:

Не користете го прстенот и отворот за ремен за никаква цел освен за инсталирање на ременот. Во спротивно, може да се случи лична повреда.

Инсталирајте го ремен на уредот како што е прикажано.

## Инсталирање на носачки клипови во телескопска кука (Fig. 10, Fig. 11)

### ⚠ ВНИМАНИЕ:

Внимавајте да не се уцврстите со прсти кога ги инсталирате носачките клипови во телескопската кука.

Инсталирајте ги носачките клипови во телескопската кука како што е прикажано.

### ЗАБЕЛЕШКА:

Проверете дека секој носачки клип се придвижува до отворот за позиционирање на носачкиот клип на главниот дел.

### ЗАБЕЛЕШКА:

Проверете дека двата носачки клипови се инсталирани во иста насока.

## Инсталирање на уредот на телескопска кука (Fig. 12)

Инсталирајте го уредот на телескопската кука со помош на носачките клипови како што е прикажано.

### ЗАБЕЛЕШКА:

Проверете дека секој носачки клип држи во закачената позиција на уредот.

## Монтирање на телескопската кука (Fig. 13)

### ⚠ ВНИМАНИЕ:

Не окачувајте ништо освен уредот на телескопската кука. Инаку, држачките куки може да бидат оштетени и може да се случат лични повреди.

### ⚠ ВНИМАНИЕ:

Проверете дека секој дел е засигуран пред употреба.

### ⚠ ВНИМАНИЕ:

Управувајте го со држење на главниот дел и држачките куки кога го монтирате телескопската кука. Внимавајте да не се уцврстите со рацете и прстите, бидејќи внатрешниот дел се враќа во својата почетна позиција со сила на пружините.

Држете го едната држачка кука за да ја монтирате на местото каде што сакате.

Држете ја другата држачка кука додека го издолжувате телескопската кука за да ја монтирате на зелената локација (другата страна).

Вклучете го уредот и прилагодете го аголот на осветлување на уредот за да осветлите зелената локација како што е прикажано.

### ИЗВЕСТУВАЊЕ:

Доколку користите тежката батерија, ротирајте го само LED светлосниот дел за прилагодување на аголот на осветлување.

## ОДРЖУВАЊЕ

### ⚠ ВНИМАНИЕ:

Секогаш осигурајте се дека апаратот е исклучен и касетата на батеријата е отстранета, пред да се обидете да извршите инспекција или одржување на производот.

### ИЗВЕСТУВАЊЕ:

Никогаш не користете петрол, бензин, разредувач, алкохол или нешто слично. Може да дојде до промена на бојата, деформација или пукнатини.

За да ја одржите БЕЗБЕДНОСТА и ДОВЕРЛИВОСТА на производот, поправките и било какво друго одржување или прилагодување треба да биде изведено од страна на овластените центри на Makita или на фабричките сервисни центри, секогаш користејќи ги деловите за замена од Makita.

## Чистење

### ⚠ ВНИМАНИЕ:

Никогаш не мијте го апаратот во вода. Од време на време, испрскајте го надворешниот дел на уредот (телото на уредот) со крпа намокрена во сапунска вода.

## ОПЦИОНАЛНИ ДОДАТОЦИ

### ⚠ ВНИМАНИЕ:

Овие дополнителни додатоци или прилози се препорачуваат за користење со вашиот Makita апарат, наведени во ова упатство за употреба. Користењето на било какви други додатоци или прилози, може да претставува ризик од повреда на луѓето. Користете ги додатоците или прилозите само за нивната намена.

Ако ви треба помош за повеќе детали во врска со овие додатоци, обратете се во вашиот локален сервисен центар на Makita.

- Оригинална батерија и полнач на Makita

### ЗАБЕЛЕШКА:

Некои предмети од листата може да се вклучени во опремата како стандардни аксесоари.

Тие можат да се разликуваат од држава до држава.

## СРПСКИ (Оригинално упутство)

1	Продужива кука	2	LED цев	3	Дугме	4	Батеријски уложак	5	Црвени индикатор	6	Лампице индикатора	7	Тастер за проверу	8	Фиксни део лампе (LED-24 комада)
9	Склопиви део лампе (LED-18 комада)	10	Прекидач	11	Бирач начина рада	12	Индикатор празне батерије	13	Покретни део	14	Ментална кука	15	Трака	16	Прстен
17	Отвор за траку	18	Рула за постављање носиве копче	19	Главна цев	20	Унутрашња цев	21	Носива копча	22	Кука држача	23	Зарезано место уређаја предвиђено за копче		

## СПЕЦИФИКАЦИЈЕ

Модел:		DML818
Лампа	Светлосни ток извора светлости (В/С/Н)	1.700 lm / 800 lm / 400 lm
	Димензије (Д × Ш × В) (без батеријског уложка)	975 mm × 80 mm × 101 mm
	Номинални напон	D.C. 14,4 В / 18 В
	Нето тежина (без батеријског уложка)	1,1 kg
Продужива кука	Димензије (Д × Ш × В) (са копчама)	1.181 mm × 99 mm × 259 mm
	Нето тежина (са копчама)	1,5 kg
	Доступна ширина *	1.130 мм- 1.900 мм

- Карактеристике се могу разликовати у зависности од државе.
- Услед нашег непрекидног програма истраживања и развоја, карактеристике овде наведене могу бити промењене без обавештења.
- \* Доступна ширина може се разликовати у зависности од локације и облика.

## Odgovarajući baterijski uložak и пуњач

Батеријски уложак	14,4 В	BL1415N / BL1430B / BL1440 / BL1460B
	18 В	BL1815N / BL1820B / BL1830B / BL1840B / BL1850B / BL1860B
Пуњач	DC18RC / DC18RD / DC18RE / DC18SD / DC18SE / DC18SF / DC18SH / DC18WC	

- Неке од батерија наведених изнад можда неће бити доступне у зависности од вашег региона.

**⚠ УПОЗОРЕЊЕ:** Користите искључиво батерије наведене изнад. Употреба других батерија може проузроковати повреду и/или пожар.

## Време рада

Одговарајући батеријски уложак	Време рада (приближно)		
	Цела лампа ( LED-42 комада )		
	Високо	Средње	Ниско
BL1415N	1,0 часова	2,2 часова	4,0 часова
BL1430B	1,6 часова	3,5 часова	7,0 часова
BL1440	2,6 часова	5,5 часова	11 часова
BL1460B	3,3 часова	7,0 часова	15 часова
BL1815N	1,3 часова	2,8 часова	5,5 часова
BL1820B	1,7 часова	3,5 часова	7,5 часова
BL1830B	2,4 часова	5,0 часова	10 часова
BL1840B	3,0 часова	7,0 часова	15 часова
BL1850B	4,0 часова	9,5 часова	19 часова
BL1860B	5,0 часова	11 часова	23 часова

- Времена рада у горњој табели су приближне смернице. Могу одступати од стварног времена рада.
- Батеријски уложак се може разликовати у зависности од државе.
- Време рада се може разликовати у зависности од типа батерије, статуса напуњености и услова коришћења.

## Симболи

У наставку су приказани симболи који могу да се користе за опрему. Будите сигурни да разумете њихово значење пре употребе.



- Прочитајте приручник са упутствима.



- Само за земље ЕУ Због присутности опасних компонената у опреми, отпадна електрична и електронска опрема, акумулатори и батерије могу имати негативан утицај на животну средину и здравље људи. Не бацајте електричне и електронске уређаје или батерије са кућним отпадом! У складу са Европском директивом о отпадној електричној и електронској опреми и о акумулаторима и батеријама и отпадним акумулаторима и батеријама, као и њиховом адаптацијом националном закону, отпадну електричну опрему, батерије и акумулаторе треба одвојено чувати и доставити на посебно сабирно место за комунални отпад, радећи у складу са прописима о заштити животне средине. То је показано симболом прекрштене канте на точковима постављеним на опреми.



- Оптичко зрачење (УВ и ИЦ).  
На најмању меру смањите излагање очију и коже.



- Немојте гледати у светилку током рада.



- Користите прикладна сенила или заштиту за очи.



- Посебно водите рачуна и обратите пажњу!



- Само за употребу у затвореном простору

## ВАЖНА СИГУРНОСНА УПУТСТВА

### ⚠ УПОЗОРЕЊЕ:

Да бисте смањили ризик од повреда, не гледајте у уређаје који раде. Може доћи до тешких повреда очију.

### ⚠ ОПРЕЗ:

Приликом употребе уређаја, увек се морају поштовати основне сигурносне мере како би се смањио ризик од пожара, електричног удара и телесних повреда, укључујући следеће:

## ПРОЧИТАЈТЕ СВА УПУТСТВА.

1. Да бисте смањили ризик од повреда, неопходно је имати строг надзор када се уређај користи у близини деце.
2. Да бисте смањили ризик од струјног удара, уређај не стављајте у воду или другу течност. Не стављајте и не чувајте уређај на месту где би могао пасти или бити повучен у каду или лавабо.
3. Не прекривајте уређај тканином или картоном и сл. У супротном може доћи до запаљења.
4. Немојте додиривати унутрашњост уређаја пинцетом, металним алатом итд.

5. Уређај немојте излагати киши или снегу. Немојте га прати у води.
6. Немојте додиривати унутрашњост уређаја пинцетом, металним алатом итд.
7. Не додирујте вруће делове.
8. Када се уређај не користи, увек искључите и извадите батерију из ње.
9. Немојте изложити уређај ударима тако што ћете га испустити, ударити итд.
10. Користите само прикључке које препоручује или продаје произвођач.
11. Чувајте производ у затвореном простору када није у употреби. Држати ван домашаја деце.
12. Безбедносне информације за преносиве светилке са батеријама.
  - Одлагање батерија мора бити у саобразности са локалним прописима који се односе на одлагање опасних материја.
  - Немојте спаљивати батерију.
13. Додатне информације за светилке.
  - Извор светлости ове светилке није заменљив; када извор светлости дође до краја својег животног века, цела се светилка треба заменити.
14. Употреба и одржавање алата са батеријом.
  - УПОЗОРЕЊЕ: Прочитајте сва безбедносна упозорења и упутства. Игнорисање ових упозорења и упутстава може резултирати струјним ударом, пожаром и/или озбиљном повредом.
  - Спречите нежељено укључење. Пре прикључења батеријског паковања, подизања или ношења, водите рачуна да прекидач буде у искљученом положају. Ношење опреме са прстом на прекидачу или довођење напајања на опрему са укљученим прекидачем може изазвати незгоду.
  - Извуците батеријско паковање из уређаја пре обављања било каквих подешавања, замене додатног прибора, или складиштења. Овакве превентивне безбедносне мере смањују ризик да се уређај случајно покрене.
  - Пуњење вршите искључиво пуњачем који је одредио произвођач. Пуњач који одговара једном типу батеријског паковања може створити ризик од пожара када се користи на другом батеријском паковању.
  - Искључиво користите опрему са посебно означеним батеријским паковањима. Употреба других батеријских паковања може створити ризик од повреде и пожара.
  - Када батеријско паковање није у употреби, држите га подаље од других металних предмета као што су спајалице, новчићи, кључеви, ексери, завртњи или други мали метални предмети који могу креирати спој једног терминала са другим. Кратак спој терминала батерије може проузроковати опекотине и пожар.
  - Под неповољним условима, течност може бити избачена из батерије; избегавајте контакт. Ако дође до случајног контакта, исперите водом. Ако течност дође у контакт са очима, додатно потражите лекарску помоћ. Течност избачена из батерије може проузроковати иритацију или опекотине.
  - Немојте користити батеријско паковање или уређај која је оштећен или модификован. Оштећене или модификоване батерије могу испољити неочекивано понашање које може изазвати пожар, експлозију или повреду.
  - Батерију или уређај немојте излагати ватри или прекомерној температури. Излагање ватри или температури изнад 130 °C (265 °F) може изазвати експлозију.

- Поштујте сва упутства за пуњење и немојте га вршити када су батеријско паковање или уређај изван температурног опсега који је наведен у упутствима. Неправилно или пуњење изван наведеног опсега може оштетити батерију и повећати ризик од пожара.
  - Сервис може обављати само квалификовани сервисер који користи идентичне заменске делове. Тако ћете осигурати да се одржи безбедност уређаја.
  - Немојте модификовати или покушати да поправите уређај или батеријско паковање на други начин осим онако како је то наведено у упутствима за употребу и одржавање.
15. Важна сигурносна упутства за батеријски уложак.
- Пре употребе батеријског улошка, прочитајте сва упутства и ознаке упозорења на (1) пуњачу батерије, (2) батерији и (3) производу који користи батерију.
  - Немојте расклапати или вршити измене на батеријском улошку. То може изазвати пожар, прекомерну топлоту или експлозију.
  - Ако је време рада постало претерано краће, одмах зауставите рад. То може изазвати ризик од прегревања, могуће опекотине па чак и експлозију.
  - Ако вам електролит доспе у очи, исперите га чистом водом и одмах потражите лекарску помоћ. То може изазвати губитак вида.
  - Немојте извршити кратак спој батеријског улошка.
  - Немојте чувати и користити уређај и батеријски уложак на местима где температура може достићи или прећи 50 °C (122 °F).
  - Немојте спаљивати батеријски уложак чак иако је озбиљно оштећен или је потпуно истрошен. Батеријски уложак може експлодирати унутар ватре.
  - Немојте закуцавати, сећи, ломити, бацати, испустити батеријски уложак или ударити њиме о чврсту површину. Такав поступак може изазвати пожар, прекомерну топлоту или експлозију.
  - Немојте користити оштећену батерију.
  - Постојећа литијум-јонска батерија подлеже захтевима прописа о опасним материјама У случају комерцијалног транспорта нпр. од стране трећег лица, шпедитера, морају се поштовати специјални захтеви у вези паковања и означавања. За припрему ставке коју треба испоручити, потребно је консултовање експерта за опасне материје. Такође се придржавајте можда детаљнијих државних прописа. Облепите или прекрите отворене контакте и запакујте батерију на такав начин да се не може померати унутар паковања.
  - Батерије користите искључиво у производима које је назначила компанија Макита. Постављање батерија у неодговарајуће производе може изазвати пожар, прекомерну топлоту, експлозију или цурење електролита.
  - Ако се алат не користи у дугом временском периоду, батерија се мора извадити.
  - Током и након употребе, батеријски уложак може захватити топлоту која може изазвати опекотине или промрзине. Водите рачуна о руковању врућим батеријским улошцима.
  - Немојте додиривати терминал уређаја одмах након употребе обзиром да може бити толико врућ да изазове опекотине.
  - Немојте дозволити да се опилџи, прашина или земља накупе унутар терминала, отвора и прореза батеријског улошка. То може изазвати слаб учинак или квар уређаја или батеријског улошка.

- Осим ако уређај не подржава употребу у близини високонапонских електричних водава, немојте користити батеријски уложак у њиховој близини. То може изазвати сметње у раду или квар уређаја или батеријског улошка.
- Батерију држите подаље од деце.

## САЧУВАЈТЕ ОВА УПУТСТВА.

**⚠ ОПРЕЗ:** Искључиво користите оригиналне Макита батерије. Употреба неоригиналних Макита батерија или батерија које су измењене, може изазвати пуцање батерије проузрокујући пожар, телесне повреде и материјалну штету. То ће такође довести до губитка гаранције за Макита алат и пуњач.

16. Савети за максималан радни век батерије.
- Напуните батеријски уложак пре него што се потпуно испразни. Увек зауставите рад алата и промените батеријски уложак када приметите смањење снаге алата.
  - Никада немојте пунити потпуно напуњен батеријски уложак. Прекомерно пуњење скраћује радни век батерије.
  - Пуните батеријски уложак на собној температури при 10 °C - 40 °C (50 °F - 104 °F). Допустите врућем батеријском улошку да се охлади пре пуњења.
  - Када не користите батеријски уложак, извадите га из уређаја или пуњача.
  - Напуните батеријски уложак ако га нећете користити у дужем временском периоду (више од шест месеци).

## ОПИС ФУНКЦИЈА

**⚠ ОПРЕЗ:** Пре подешавања или провере функција на уређају увек проверите да ли је уређај искључен и да ли је батеријски уложак извађен.

## Постављање или уклањање батеријског улошка (Fig. 2)

**⚠ ОПРЕЗ:** Увек искључите уређај пре него што ставите или извадите батеријски уложак.

**⚠ ОПРЕЗ:** **Чврсто држите уређај и батеријски уложак када га постављате или вадите.** Лабаво држање уређаја и батеријског улошка може узроковати да исклизну из руку и изазову оштећење уређаја, батеријског улошка и телесну повреду.

Да бисте инсталирали батеријски уложак, поравнајте језичак на батеријском улошку са жљебом у кућишту и гурните га на место. Уметните га до краја док не легне на место уз лагано шкљоцање. Ако видите црвени индикатор као што је приказано на слици, није потпуно закључан. Да бисте извадили батеријски уложак, извучите га из уређаја померајући дугме на предњој страни улошка.

### **⚠ ОПРЕЗ:**

Увек уметните батеријски уложак до краја док се црвени индикатор не може видети. У супротном, може случајно испасти из уређаја, проузрокујући повреду вас или некога у вашој близини.

### **⚠ ОПРЕЗ:**

Батеријски уложак немојте постављати на силу. Ако уложак не може лагано клизнути унутра, значи да није правилно уметнут.

## Приказ преосталог капацитета батерије (Fig. 3)

Притисните тастер за проверу на батеријском улошку како би се приказао преостали капацитет батерије. Лампице индикатора засветле у трајању од неколико секунди.

Лампице индикатора			Преостали капацитет
Осветљена	Искључена	Трепери	
■ ■ ■ ■	□ □ □ □	▧	75% до 100%
■ ■ ■ □	□ □ □ □	▧	50% до 75%
■ ■ □ □	□ □ □ □	▧	25% до 50%
■ □ □ □	□ □ □ □	▧	0% до 25%
▧ □ □ □	□ □ □ □	▧	Напуните батерију.
■ ■ □ □ □ □ ■ ■	□ □ □ □	▧	Батерија је можда неисправна.

### **НАПОМЕНА:**

У зависности од услова употребе и температуре окружења, индикација може благо одступати од стварног капацитета.

### **НАПОМЕНА:**

Прва (крајња лева) индикациона лампица ће треперети када систем за заштиту батерије ради.

## Систем за заштиту машине / батерије

Уређај поседује систем заштите, који аутоматски искључује рад у корист дужег радног века.

### Заштита од прекомерног пражњења

Када капацитет батерије није довољан, уређај се аутоматски искључује. У овом случају, извадите батерију из уређаја и напуните је.

### Заштите од других узрока

Систем заштите је такође дизајниран за друге узроке који могу оштетити уређај и омогућује аутоматско заустављање уређаја. Предузмите све следеће кораке да бисте уклонили узроке када је уређај заустављен у раду.

1. Искључите уређај, а затим га поново укључите за поновно покретање.
2. Напуните батерију(е) или је/их замените напуњеном(им) батеријом(ама).
3. Пустите да се уређај и батерија(е) охладе.

Ако поновно успостављање система заштите не донесе побољшање, обратите се својем локалном Макита сервисном центру.

## Укључивање светла и избор режима осветљења (Fig. 4)

### **⚠ ОПРЕЗ:**

Немојте директно гледати у светло или извор осветљења.

1. Прекидач: Распоред осветљења је: Режим високог / средњег / ниског осветљења / искључено за сваки притисак.
2. Бирач начина рада: Редослед осветљења је следећи: Цела лампа / Фиксни део лампе / Склопиви део лампе при сваком притиску када је прекидач укључен.

### **НАПОМЕНА:**

Када укључите уређај, биће укључен исти режим осветљења који сте последњи пут користили.

## Индикатор празне батерије (Fig. 5)

Када се батерија испразни, сва LED светла се гасе осим једног LED светла, као што је приказано. Затим, око пет до десет минута касније, уређај се аутоматски искључује.

## РАД

### **⚠ ОПРЕЗ:**

Ротирајте LED цев и преклопите склопиви део лампе да бисте уравнотежили уређај када будете постављали уређај у усправан положај као што је приказано на fig. 4. У супротном, уређај може да падне и тиме изазове повреду.

## Угао LED цеви (Fig. 6, Fig. 7)

### **⚠ ОПРЕЗ:**

Пазите да не прикљештите прст(е) када подешавате угао осветљења.

### **⚠ ОПРЕЗ:**

Обратите пажњу на то да фиксни и склопиви део лампе буду причвршћени заједно у положајима за склапање и расклапање.

LED цев може да се ротира у седам фаза на сваких 45°. (90° удесно и 180° улево)  
Склопиви део лампе се може савити на 0° или 180°.

## Ментална кука (Fig. 8)

Подигните и померите металну куку у централни положај када је користите.

## Каиш (Fig. 9)

### **⚠ ОПРЕЗ:**

Не користите прстен и рупу за каиш у било коју другу сврху осим за постављање каиша. Иначе може доћи до личне повреде.

Поставите каиш на уређај као што је приказано.

## Постављање носивих копчи у продуживу куку (Fig. 10, Fig. 11)

### ОПРЕЗ:

Водите рачуна да не прикљештите прст(е) када уграђујете носиве копче у продуживу куку.

Уградите носиве копче у продуживу куку као што је приказано.

### НАПОМЕНА:

Обратите пажњу да свака носива копча буде постављена у рупу за позиционирање носиве копче на главној цеви.

### НАПОМЕНА:

Обратите пажњу да обе копче носача буду постављене у истом смеру.

## Постављање уређаја на продуживу куку (Fig. 12)

Поставите уређај на продуживу куку помоћу копчи носача као што је приказано.

### НАПОМЕНА:

Уверите се да је свака носива копча закачена за зарезано место уређаја предвиђено за копче.

## Монтирање продуживе куке (Fig. 13)

### ОПРЕЗ:

Не качите ништа друго осим уређаја на продуживу куку. У супротном би се куке држача оштетиле и могло би доћи до повреда.

### ОПРЕЗ:

Обратите пажњу да сваки део буде сигурно причвршћен пре употребе.

### ОПРЕЗ:

Држите главну цев и куке држача приликом монтирања продуживе куке. Пазите да не прикљештите руке и прсте јер се унутрашња цев враћа у првобитни положај под утицајем опруга.

Држите једну куку држача да бисте је монтирали на жељено место.

Држите и другу куку држача док извлачите продуживу куку да бисте је монтирали на жељено место(друга страна).

Укључите уређај и подесите угао осветљења уређаја како бисте осветлили жељено место као што је приказано на слици.

### НАПОМЕНА:

Ако користите тежу батерију, ротирајте само LED цев за прилагођавање угла осветљења.

## ОДРЖАВАЊЕ

### ОПРЕЗ:

Пре прегледа или одржавања увек проверите да ли је уређај искључен, одвојен од напајања и да ли је батеријски уложак извађен.

### НАПОМЕНА:

Никада немојте користити бензин, разређивач, алкохол и слично. Може доћи до промене боје, деформација или пуцања.

Да бисте одржали БЕЗБЕДНОСТ и ПОУЗДАНОСТ производа, поправке и било какво одржавање или подешавање морају вршити овлашћени или фабрички сервисни центри компаније Макита, уз употребу Макита заменских делова.

## Чишћење

### ОПРЕЗ:

Никада немојте прати уређај у води. С времена на време пребришите спољашњи део уређаја (тело уређаја) крпом намоченом у води са сапуном.

## ОПЦИОНИ ДОДАТНИ ПРИБОР

### ОПРЕЗ:

Овај додатни прибор или додаци се препоручују за употребу са Макита уређајем назначеним у овом упутству. Употреба другог додатног прибора или додатака може представљати ризик за повреде особља. Додатни прибор или додатак користите искључиво за намењену употребу.

Ако вам је потребна помоћ у вези више детаља који се односе на овај додатни прибор, обратите се локалном Макита сервисном центру.

- Оригинална Макита батерија и пуњач

### НАПОМЕНА:

Неке ставке са листе могу бити укључене у пакет уређаја као стандардни додаци. Она се може разликовати у зависности од државе.

## TÜRKÇE (Orijinal talimatlar)

1	Teleskopik kanca	2	LED ışık çubuğu	3	Düğme	4	Pil kartuşu	5	Kırmızı gösterge	6	Gösterge lambası	7	Kontrol düğmesi	8	Sabit ışık parçası (LED-24 adet)
9	Katlanabilir ışık parçası (LED-18 adet)	10	Şalter	11	Mod seçici	12	Düşük pil göstergesi	13	Hareketli parça	14	Metal kanca	15	Askı	16	Halka
17	Askı deliği	18	Taşıyıcı klip konumlandırma deliği	19	Ana çubuk	20	İç çubuk	21	Taşıyıcı klip	22	Tutucu kanca	23	Kırılmış konum		

## TEKNİK DEĞERLER

Model:		DML818
Işık	Işık akısı (Y/D/U)	1.700 lm /800 lm /400 lm
	Ölçüler (U x G x Y) (pil kartuşuz)	975 mm x 80 mm x 101 mm
	Nominal gerilim	D.C. 14,4 V / 18 V
	Net ağırlık (pil kartuşu olmadan)	1,1 kg
Teleskopik kanca	Ölçüler (U x G x Y) (klip ile)	1.181 mm x 99 mm x 259 mm
	Net ağırlık (klip ile)	1,5 kg
	Mevcut genişlik *	1.130 mm - 1.900 mm

- Teknik değerler ülkeden ülkeye değişebilir.
- Devam eden araştırma ve geliştirme programımız sebebiyle buradaki teknik değerler haber verilmeksizin değişikliğe tabidir.
- \* Gerçek mevcut genişlik, konuma ve şekle bağlı olarak farklılık gösterebilir.

## Kullanılabilen pil kartuşu ve şarj cihazı

Pil kartuşu	14,4 V	BL1415N / BL1430B / BL1440 / BL1460B
	18 V	BL1815N / BL1820B / BL1830B / BL1840B / BL1850B / BL1860B
Şarj cihazı	DC18RC / DC18RD / DC18RE / DC18SD / DC18SE / DC18SF / DC18SH / DC18WC	

- Yukarıda listelenen pil kartuşlarından bazıları bulunduğunuz bölgeye bağlı olarak mevcut olmayabilir.

**⚠ UYARI: Sadece yukarıda listelenen pil kartuşlarını kullanın.** Başka herhangi bir pil kartuşunun kullanılması yaralanma ve/veya yangına yol açabilir.

## Çalışma süresi

Kullanılabilen pil kartuşu	Çalışma ömrü (yaklaşık)		
	Bütün ışık (LED-42 adet)		
	Yüksek	Ortam	Düşük
BL1415N	1,0 saat	2,2 saat	4,0 saat
BL1430B	1,6 saat	3,5 saat	7,0 saat
BL1440	2,6 saat	5,5 saat	11 saat
BL1460B	3,3 saat	7,0 saat	15 saat
BL1815N	1,3 saat	2,8 saat	5,5 saat
BL1820B	1,7 saat	3,5 saat	7,5 saat
BL1830B	2,4 saat	5,0 saat	10 saat
BL1840B	3,0 saat	7,0 saat	15 saat
BL1850B	4,0 saat	9,5 saat	19 saat
BL1860B	5,0 saat	11 saat	23 saat

- Tabloda verilen çalışma süreleri ortalama bir kılavuздur. Tabloda verilen çalışma süreleri gerçek çalışma sürelerinden farklı olabilir.
- Pil kartuşları ülkeden ülkeye değişebilir.
- Çalışma ömürleri pil tipleri, şarj durumu ve kullanım şartlarına bağlı olarak değişebilir.



## Semboller

Aşağıda ekipman için kullanılacak semboller gösterilmektedir. Kullanmadan önce bunların anlamını öğrendiğinizden emin olun.



- Kullanım talimatını okuyun.



- Sadece AB ülkeleri için Ekipmanda zararlı parçaların bulunması nedeniyle atık elektrik/elektronik ekipmanlar, akümülatörler ve piller çevre ve insan sağlığını olumsuz yönde etkileyebilir. Elektrikli ve elektronik aletleri veya pilleri ev atıklarıyla bertaraf etmeyin! Atık Elektrikli ve Elektronik Cihazlar ile Akümülatörler ve Piller ve Atık Akümülatörler ve Piller hakkında Avrupa Direktifi ve ayrıca söz konusu mevzuatların ulusal hukuka adaptasyonu ile ilgili uygulamalara uyarınca , atık elektrikli ekipman, piller ve akümülatörler ayrı olarak depolanmalı ve çevre koruma yönetmeliklerine uygun olarak işletilen belediye atıkları toplama noktasına sevk edilmelidir. Bu, ekipmanın üzerine yerleştirilen üstü çizilmiş tekerlekli kutu sembolü ile ifade edilir.



- Optik Radyasyon (UV ve IR). Göz veya cilt maruziyetini en aza indirin.



- Çalışan lambaya sürekli bakmayın.



- Uygun muhafaza veya göz koruması kullanın.



- Daha dikkatli olun!



- Sadece kapalı alanda kullanım için

## ÖNEMLİ GÜVENLİK TALİMATLARI

### UYARI:

Yaralılık riskini azaltmak için çalışma aletlere bakmayın. Ciddi göz yarası olabilir.

### DİKKAT:

Cihazları kullanırken aşağıdakiler dahil olmak üzere yangın, elektrik çarpması ve kişisel yaralanma riskini azaltmak için daima temel güvenlik tedbirlerine uyulmalıdır:

## TÜM TALİMATLARI OKUYUN.

1. Yaralanma riskini azaltmak için, cihaz çocukların yakınında kullanıldığında yakın gözetim altına alınması gereklidir.
2. Elektrik çarpması riskini azaltmak için cihazı suya veya başka bir sıvı içine koymayın. Cihazı düşebileceği ya da sürüklenebileceği bir yer koymayın.
3. Cihazın üzerini bez veya karton vb. ile örtmeyin. Aksi takdirde yangın meydana gelebilir.
4. Cihazın içine cımbız, metal aletler vb. ile dokunmayın.
5. Cihazı yağmur veya kara maruz bırakmayın. Suda yıkamayın.

6. Cihazın içine cımbız, metal aletler vb. ile dokunmayın.
7. Sıcak parçalara temas etmeyin.
8. Cihaz kullanılmadığı zaman daima kapalı tutun ve pil kartuşunu cihazdan çıkarın.
9. Düşürme, çarpma vb. hareketler ile cihaza hasar vermeyin.
10. Yalnızca üretici tarafından önerilen veya satılan eklentileri kullanın.
11. Ürünü kullanmadığınız zamanlarda kapalı alanda saklayın. Çocukların erişemeyeceği yerlerde saklayın.
12. Pili, taşınabilir lambalar için güvenlik bilgileri.
- Pilin, tehlikeli materyallerin atılmasını ele alan yerel mevzuata uygun şekilde atılması gerekir.
- Pili yakmayın.
13. Lambalar için ek bilgiler.
- Bu armatürün ışık kaynağı değiştirilemez; ışık kaynağı kullanım ömrü sonunda tüm armatür değiştirilir.
14. Pil aletinin kullanımı ve bakımı.
- UYARI: Tüm güvenlik uyarılarını ve talimatlarını okuyun. Uyarıların ve talimatların uygulanmaması elektrik çarpması, yangın ve/veya ciddi yaralanma ile sonuçlanabilir.
- İstmeden çalıştırmayı önleyin. Pil grubunu bağlamadan önce, cihazı yerden kaldırmadan veya taşımadan önce şalterin kapalı olduğundan emin olun. Cihazı parmağınız şalterin üzerindeyken veya cihaza enerji verilmişken taşımak kazalara davetiye çıkarır.
- Herhangi bir ayarlama yapmadan, aksesuarları değiştirmeden ya da cihazı saklamadan önce pil grubunu cihazdan ayırın. Bu tür önleyici güvenlik tedbirleri, cihazı kazara çalıştırma riskini azaltır.
- Sadece üretici tarafından belirtilen şarj cihazıyla şarj edin. Bir pil grubuna uygun olan şarj aleti başka bir pil grubuyla kullanıldığı zaman yangın riski oluşturabilir.
- Cihazları sadece özel olarak belirlenmiş pil grubuyla kullanın. Başka herhangi bir pil grubunun kullanılması yaralanma ve yangın riski oluşturabilir.
- Pil grubu kullanılmadığı zaman, pil grubunu bir kutup ile diğeri arasında bağlantı yapabilecek ataş, madeni para, anahtar, çivi, vida veya diğer küçük metal cisimlerden uzak tutun. Pil kutuplarını kısa devre etmek yanıklara veya yangına yol açabilir.
- Yanlış kullanım şartlarında pilden sıvı kaçağı olabilir, temas etmeyin. Yanlışlıkla temas olursa suyla yıkayın. Sıvı gözlere temas ederse ayrıca bir doktordan yardım isteyin. Pilden sızan sıvı iritasyon veya yanıklara yol açabilir.
- Hasarlı veya modifiye edilmiş bir pil grubu ya da cihazı kullanmayın. Hasarlı ya da modifiye edilmiş piller yangın, patlama veya yaralanma riskiyle sonuçlanabilecek beklenmedik tepkiler verebilir.
- Pil grubunu ya da cihazı ateşe veya aşırı sıcaklığa maruz bırakmayın. Yangına ya da 130 °C'nin (265 °F) üzerindeki sıcaklıklara maruz kalma patlamaya neden olabilir.
- Tüm şarj talimatlarına uyun ve pil grubunu veya cihazı talimatlarda belirtilen sıcaklık aralığının dışında şarj etmeyin. Uygun olmayan şekilde veya belirlenmiş sıcaklık aralığının dışında şarj etmek, pile hasar verebilir ve yangın riskini yükseltebilir.
- Yalnızca aynı yedek parçaları kullanan kalifiye bir tamirci tarafından servis uygulanmasını sağlayın. Bu, ürün güvenliğinin korunmasını sağlayacaktır.
- Cihazı ya da pil grubunu kullanım ve bakım talimatlarında gösterilenin haricinde modifiye etmeyin veya tamir etmeye çalışmayın.
15. Pil kartuşu ile ilgili önemli güvenlik talimatları.

- Pil kartuşunu kullanmadan önce tüm talimatları (1) pil şarj aleti, (2) pil ve (3) pili kullanan ürün üzerindeki uyarı işaretlerini okuyun.
- Pil kartuşunu demonte etmeyin ya da kurcalamayın. Bu; yangın, aşırı ısı ya da patlama ile sonuçlanabilir.
- Çalışma süresi aşırı derecede kısalsa cihazı derhal durdurun. Aşırı ısınma, yanık ve hatta patlama riski meydana gelebilir.
- Elektrolit gözlerinize girerse temiz suyla yıkayın ve derhal tıbbi tedavi alın. Görme duyurunuzu kaybedebilirsiniz.
- Pil kartuşunda kısa devre yapmayın.
- Aleti ya da pil kartuşunu sıcaklığın 50 °C'ye (122 °F) ulaşabileceği veya bu sıcaklığı aşabileceği yerlerde saklamayın ve kullanmayın.
- Ciddi bir şekilde hasar görmüş veya tamamen yıpranmış olsa bile pil kartuşunu yakmayın. Pil kartuşu ateşe atıldığında patlayabilir.
- Pil kartuşunu çivilemeyin, kesmeyin, çarpmayın, fırlatmayın, düşürmeyin ya da sert bir nesneyi pil kartuşuna vurmeyin. Bu türde bir davranış; yangın, aşırı ısı ya da patlama ile sonuçlanabilir.
- Hasarlı bir pili kullanmayın.
- Cihazdaki lityum iyon piller Tehlikeli Maddeler Mevzuatı şartlarına tabidir. Örn. üçüncü firmalar, nakliye acentaları tarafından ticari nakliye işlemlerinde ambalajlama ve etiketleme ile ilgili özel şartlara uyulmalıdır. Gönderilen ürünün hazırlığında bir tehlikeli madde uzmanına başvurulması gerekmektedir. Lütfen aynı zamanda daha detaylı ulusal yönetmeliklere uyun. Açık kontak uçlarını bantlayın veya maskeleyin ve pili ambalaj içinde hareket edemeyecek şekilde sarın.
- Bu pilleri sadece Makita tarafından belirtilen ürünlerle birlikte kullanın. Pillerin uygun olmayan ürünlere takılması yangın, aşırı ısınma, patlama veya elektrolit kaçağına yol açabilir.
- Cihaz uzun bir süre kullanılmıyorsa pil cihazdan çıkarılmalıdır.
- Kullanım sırasında ve sonrasında pil kartuşu, yanıklara ya da düşük sıcaklık yanıklarına yol açabilecek şekilde ısınabilir. Sıcak pil kartuşlarını tutarken dikkatli olun.
- Yanıklara yol açabilecek kadar ısınmış olabileceği için kullanımdan hemen sonra alet kutbuna dokunmayın.
- Pil kartuşunun kutuplarına, deliklerine ve kanallarına parçacıkların, tozun ya da toprağın yapışmasına izin vermeyin. Bu durum, yetersiz performans ya da aletin veya pil kartuşunun bozulması ile sonuçlanabilir.
- Alet, yüksek gerilimli elektrik güç hatlarının yakınında kullanımı desteklemediği sürece pil kartuşunu, yüksek gerilimli elektrik güç hatlarının yakınında kullanmayın. Bu durum, arıza ya da aletin veya pil kartuşunun bozulması ile sonuçlanabilir.
- Pili, çocuklardan uzakta tutun.

## BU TALİMATLARI SAKLAYIN.

**⚠ DİKKAT:** Yalnızca orijinal Makita pilleri kullanın. Orijinal olmayan Makita pillerinin veya değiştirilmiş pillerin kullanımı, pilin patlamasına ve bunun sonucunda yangın, kişisel yaralanma ve hasara yol açabilir. Ayrıca Makita cihazı ve şarj cihazı için geçerli Makita garantisini geçersiz hale getirir.

16. Maksimum pil ömrünü korumak için ipuçları.
- Pil kartuşunu tamamen deşarj olmadan önce şarj edin. Düşük şarj uyarısını gördüğünüzde her zaman aletin çalışmasını durdurun ve pil kartuşunu şarj edin.
  - Tamamen şarj edilmiş bir pil kartuşunu asla tekrar şarj etmeyin. Aşırı şarj pil ömrünü kısaltır.
  - Pil kartuşunu 10 °C - 40 °C (50 °F - 104 °F) arasındaki oda sıcaklığında şarj edin. Sıcak bir pil kartuşunu şarj etmeden önce soğumaya bırakın.
  - Pil kartuşunu kullanmıyorken kartuşu, aletten ya da şarj cihazından çıkarın.
  - Pil kartuşunu uzun süre kullanmayacaksınız (altı aydan fazla) şarj edin.

## İŞLEYİŞLE İLGİLİ AÇIKLAMA

**⚠ DİKKAT:** Cihazdaki işlevi ayarlamadan veya kontrol etmeden önce daima cihazın kapalı olduğundan ve pil kartuşunun çıkarılmış olduğundan emin olun.

### Pil kartuşunun çıkarılması veya takılması (Fig. 2)

**⚠ DİKKAT:** Pil kartuşunu takmadan veya çıkarmadan önce cihazı kapatın.

**⚠ DİKKAT:** **Pil kartuşunu takarken veya çıkarırken cihazı ve pil kartuşunu sıkı tutun.** Cihaz ve pil kartuşunu sıkı tutmamak bunların elinizden kayıp düşmesine ve cihaz ile pil kartuşunun hasara uğramasına ve kişisel yaralanmaya yol açabilir.

Pil kartuşunu takmak için pil kartuşundaki dili yuvadaki olukla hizalayın ve yerine kaydırın. Küçük bir tık sesiyle tamamen yerine oturup kilitleninceye kadar yerleştirin. Şekilde görüldüğü gibi kırmızı göstereyi görebiliyorsanız tam olarak kilitlenmemiş demektir. Pil kartuşunu çıkarmak için kartuşun önündeki düğmeyi kaydırırken kartuşu cihazdan kaydırarak çekin.

**⚠ DİKKAT:** Pil kartuşunu daima kırmızı gösterge görülemeyecek şekilde tamamen yerine takın. Aksi takdirde, yanlışlıkla cihazdan düşerek sizi veya çevrenizdekileri yaralayabilir.

**⚠ DİKKAT:** Pil kartuşunu zorlayarak takmayın. Kartuşu kolayca kaymıyorsa doğru yerleştirilmemiş demektir.

## Kalan pil kapasitesinin gösterilmesi (Fig. 3)

Kalan pil kapasitesini göstermek için pil kartuşu üzerindeki kontrol tuşuna basın. Gösterge lambaları birkaç saniye boyunca yanacaktır.

Gösterge lambaları			Kalan kapasite
İşıklı	Kapalı	Yanıp sönmüyor	
■	□	□	%75 ile %100
■	■	□	%50 ile %75
■	□	□	%25 ile %50
■	□	□	%0 ile %25
■	□	□	Pili şarj edin.
■	□	□	Pil arızalanmış olabilir.

### NOT:

Kullanım koşulları ve ortam sıcaklığına bağlı olarak gösterge gerçek kapasiteden çok az farklı olabilir.

### NOT:

İlk (en sol) gösterge lambası, pil koruma sistemi çalışırken yanıp sönecektir.

## Cihaz / Pil koruma sistemi

Cihaz, uzun servis ömrü için çıkış gücünü otomatik olarak kesen koruma sistemi ile donatılmıştır.

### Aşırı boşalma koruması

Pil kapasitesi yeterli olmadığında cihaz otomatik olarak durur. Bu durumda pili cihazdan çıkarın ve pili şarj edin.

### Diğer sebeplere karşı koruma

Koruma sistemi, cihaza zarar verebilecek diğer sebeplere karşı da tasarlanmış olup, cihazın otomatik olarak durmasını sağlar. Cihaz geçici olarak durdurulduğunda veya çalışması durdurulduğunda nedenleri ortadan kaldırmak için aşağıdaki adımların tümünü uygulayın.

1. Cihazı kapatın ve yeniden başlatmak için tekrar açın.
2. Pil(ler)i şarj edin veya şarj edilmiş pil(ler)le değiştirin.
3. Cihazın ve pil(ler)in soğumasını bekleyin.

Koruma sistemini geri yükleyerek herhangi bir gelişme bulunamazsa yerel Makita Servis Merkezinizle iletişime geçin.

## Işığın açılması ve parlaklık modu seçimi (Fig. 4)

### ⚠ DİKKAT:

Işığa ya da ışığın kaynağına doğrudan bakmayın.

1. Şalter: Parlaklık sırası şöyledir: Her basıldığında Yüksek mod(Aç) / Orta modu / Düşük modu kapalı olacaktır.
2. Mod seçici: Aydınlatma sırası şu şekildedir: Her basıldığında Tüm Işık / Sabit ışık parçası / Katlanabilir ışık parçası açılabilir.

### NOT:

Cihazı açtığınızda, en son kullandığınız ışık modunda açılacaktır.

## Düşük pil göstergesi (Fig. 5)

Pil azaldığında, şekilde gösterildiği gibi bir LED ışığı dışındaki LED ışıkları söner. Yaklaşık beş ila on dakika sonra cihaz otomatik olarak kapanır.

## ÇALIŞMA ŞEKLİ

### ⚠ DİKKAT:

Cihazı fig. 4'te gösterildiği gibi dik konuma getirdiğinizde cihazın dengesini sağlamak için LED ışık çubuğunu çevirin ve katlanabilir ışık kısmını aşağı katlayın. Aksi halde cihaz düşebilir ve kişisel yaralanma meydana gelebilir.

## LED ışık çubuğun açısı (Fig. 6, Fig. 7)

### ⚠ DİKKAT:

Işık açısını ayarlarken parmaklarınızı sıkıştırmamaya dikkat edin.

### ⚠ DİKKAT:

Sabit ve katlanabilir ışık parçasının sırasıyla katlama ve açma konumlarında birbirine sıkıca kilitlendiğinden emin olun.

LED ışık çubuğu her 45° de yedi aşamada döndürülebilir. (90° ta sağa ve 180° ta sola)  
Katlanabilir ışık kısmı 0° veya 180° de bükülebilir.

## Metal kanca (Fig. 8)

Metal kancayı kullanırken metal kancayı kaldırıp orta konuma kaydırın.

## Kayış (Fig. 9)

### ⚠ DİKKAT:

Halkayı ve kayış deliğini kayışı takma dışında herhangi bir amaç için kullanmayın. Aksi takdirde kişisel yaralanma meydana gelebilir.

Şekilde gösterildiği gibi kayışı cihaza takın.

## Taşıyıcı klipslerin teleskopik kancaya takılması (Fig.10, Fig.11)

### ⚠ DİKKAT:

Taşıyıcı klipsleri teleskopik kancaya takarken parmaklarınızla sıkıştırmamada dikkat edin.

Taşıyıcı klipsleri gösterildiği gibi teleskopik kancaya takın.

### NOT:

Her bir taşıyıcı klipsin ana çubuk üzerindeki taşıyıcı klips konumlandırma deliğine kaydırıldığından emin olun.

### NOT:

İki taşıyıcı klipin aynı yönde takıldığından emin olun.

## Cihazın teleskopik kancaya takılması (Fig.12)

Cihazı şekilde gösterildiği gibi taşıma kliplerinden teleskopik kancaya takın.

### NOT:

Her bir taşıyıcı klipin cihazın kırılma konumunu tuttuğundan emin olun.

## Teleskopik kancanın montajı (Fig.13)

### ⚠ DİKKAT:

Teleskopik kancaya cihaz dışında herhangi bir şey asmayın. Aksi takdirde tutucular zarar görebilir ve kişisel yaralanmalar meydana gelebilir.

### ⚠ DİKKAT:

Kullanmadan önce her parçanın güvenli bir şekilde sabitlendiğinden emin olun.

### ⚠ DİKKAT:

Teleskopik kancayı takarken ana çubuğu ve tutucu kancaları tutarak çalıştırın. Ellerinizi ve parmaklarınızı sıkıştırmamaya dikkat edin çünkü iç çubuk yayların kuvvetiyle orijinal konumuna geri döner.

İstediğiniz yere monte etmek için bir tutucu kancayı tutun.

Teleskopik kancayı istenilen konuma (başka bir tarafa) monte etmek için uzatırken tutucu kancadan bir tane tutun.

Cihazı açın ve cihazın aydınlatma açısını şekilde gösterildiği gibi istenilen yeri aydınlatacak şekilde ayarlayın.

### BİLGİ:

Ağır pil kullanıyorsanız, aydınlatma açısını ayarlamak için yalnızca LED ışık çubuğunu döndürün.

## BAKIM

### ⚠ DİKKAT:

İnceleme ya da bakım gerçekleştirmeden önce daima cihazın kapalı olduğundan ve pil kartuşunun çıkarıldığından emin olun.

### BİLGİ:

Asla benzin, tiner, alkol veya benzeri madde kullanmayın. Renk verme, deformasyon veya çatlaklar meydana gelebilir.

Ürünün GÜVENLİK ve GÜVENİLİRLİĞİNİ korumak için onarım ve bakımlar her zaman Makita yedek parçaları kullanılarak Makita Yetkili ya da Fabrika Servis Merkezleri tarafından yapılmalıdır.

## Temizlik

### ⚠ DİKKAT:

Cihazı asla suyla yıkamayın. Zaman zaman cihazın dışını (cihazın gövdesini) sabunlu suyla nemlendirilmiş bir bez kullanarak silin.

## OPSİYONEL AKSESUARLAR

### ⚠ DİKKAT:

Bu aksesuarlar veya ataşmanlar, bu talimatta belirtilen Makita cihazınızla kullanılmak üzere tavsiye edilmektedir. Diğer aksesuarlar veya ataşmanların kullanımı kişisel yaralanma riski oluşturabilir. Aksesuar veya ataşmanı sadece belirtilen amaçla kullanın.

Bu aksesuarlar hakkında daha fazla detay konusunda herhangi bir yardıma ihtiyaç duyarsanız bulunduğunuz yerdeki Makita servis merkezine başvurun.

- Makita orijinal pil ve şarj cihazı

### NOT:

Listedeki bazı öğeler cihaz paketine standart aksesuar olarak dahil edilebilir.

Ülkeden ülkeye değişebilir.

## 中文繁體 (原本)

1	伸縮鉤	2	LED 燈條	3	按鈕	4	電池盒	5	紅色指示燈	6	指示燈	7	檢查按鈕	8	固定燈部分 (LED-24 個)
9	可折疊燈部分 (LED-18 個)	10	開關	11	模式選擇器	12	低電量指示燈	13	活動部分	14	金屬鉤	15	肩帶	16	扣環
17	吊帶孔	18	托架定位孔	19	主桿	20	內桿	21	托架夾	22	夾鉤	23	夾緊位置		

## 規格

型號：		DML818
燈	光通量 (H/M/L)	1,700 lm / 800 lm / 400 lm
	尺寸 (長 × 寬 × 高) (不含電池盒)	975 mm × 80 mm × 101 mm
	額定電壓	D.C. 14.4 V / 18 V
	淨重 (不含電池盒)	1.1 kg
伸縮鉤	尺寸 (長 × 寬 × 高) (帶夾子)	1,181 mm × 99 mm × 259 mm
	淨重 (帶夾子)	1.5 kg
	可用寬度 *	1,130 mm - 1,900 mm

- 各國家 / 地區的規格可能不同。
- 由於我們持續進行研發計畫，上述規格如有變更，恕不另行通知。
- \* 實際可用寬度因位置和形狀而不同。

## 適用的電池盒與充電器

電池盒	14.4 V	BL1415N / BL1430B / BL1440 / BL1460B
	18 V	BL1815N / BL1820B / BL1830B / BL1840B / BL1850B / BL1860B
充電器	DC18RC / DC18RD / DC18RE / DC18SD / DC18SE / DC18SF / DC18SH / DC18WC	

- 您所在的區域可能無法取得上述的部分電池盒。

**⚠ 警告：** 僅允許使用上文所列的電池盒。使用其他電池盒可能會導致受傷和 / 或火災。

## 運作時間

適用的電池盒	運作時間 (估計值)		
	整個燈具 (LED-42 個)		
	高	中	低
BL1415N	1.0 小時	2.2 小時	4.0 小時
BL1430B	1.6 小時	3.5 小時	7.0 小時
BL1440	2.6 小時	5.5 小時	11 小時
BL1460B	3.3 小時	7.0 小時	15 小時
BL1815N	1.3 小時	2.8 小時	5.5 小時
BL1820B	1.7 小時	3.5 小時	7.5 小時
BL1830B	2.4 小時	5.0 小時	10 小時
BL1840B	3.0 小時	7.0 小時	15 小時
BL1850B	4.0 小時	9.5 小時	19 小時
BL1860B	5.0 小時	11 小時	23 小時

- 上表所示的運作時間僅提供約略的參考。可能與實際運作時間有所差異。
- 各國家 / 地區的電池盒可能不同。
- 運作時間可能會因電池類型、充電狀態及使用情況而有不同。

## 符號

以下顯示了可能用於設備的符號。在使用前請務必了解這些符號的意義。



- 閱讀使用說明書。



- 僅適用於歐盟國家。設備、廢棄電氣和電子設備、蓄電池及電池中存在有害成分，可能會對環境和人體健康產生負面影響。請勿將電氣及電子設備或電池與生活垃圾一起丟棄！根據《關於廢棄電氣和電子設備、蓄電池和電池以及廢棄蓄電池和電池的歐盟指令》及適用的相關國家法律，廢棄電氣設備，電池和蓄電池應分開儲存，並投放至單獨的城市廢物收集點，按照環境保護法規進行處理。上述要求用設備上的垃圾桶畫叉符號表示。



- 光輻射（UV 和 IR），盡量避免接觸眼睛或皮膚。



- 請勿凝視運作中的燈具。



- 請使用適合的防護或護眼裝備。



- 請特別小心並注意！



- 僅供室內使用

## 重要安全指示

### 警告：

為了減少受傷風險，切勿長時間凝視運行中的設備。否則，可能造成嚴重的眼部損傷。

### 注意：

使用設備時應確實遵守基本安全預防措施，以減少火災、電擊及人身傷害的危險，包括以下項目：

## 閱讀所有說明。

1. 為了減少受傷風險，當設備在兒童附近使用時，須密切監督。
2. 為了減少觸電危險，切勿將設備置於水或其他液體中。切勿將設備放置或存放在可能掉落或被拖進浴缸或水槽的地方。
3. 不得用布或紙箱等覆蓋設備，否則可能引發火災。
4. 請勿以鑷子、金屬工具等觸碰設備內部。

5. 請勿讓本設備曝露在雨中或雪中。請勿以水清洗本設備。
6. 請勿以鑷子、金屬工具等觸碰設備內部。
7. 請勿觸碰發熱部件。
8. 不使用本設備時，務必關閉電源並從設備中取出電池盒。
9. 請勿使本設備因墜落、撞擊等而受到衝擊。
10. 僅允許使用製造商推薦或出售的附件。
11. 不使用時，請將產品置於室內保存。請將其放在兒童不能接觸到的地方。
12. 帶有燈具的可攜式燈具安全資訊。
  - 處置電池時應遵守當地有關處理危險物質的法規。
  - 請勿焚燒電池。
13. 燈具的其他資訊。
  - 該燈具的光源不可更換；當光源達到其使用壽命時，應更換整個燈具。
14. 電池設備的使用和保養。
  - 警告：請閱讀所有安全警告和指示。若未遵循所有警告和指示，可能會造成觸電、火災和 / 或嚴重傷害。
  - 防止意外啓動。在連接電池組、拿起或搬運設備之前，請確認開關位於關閉位置。搬運設備時如果將手指放在開關上，或在開關位於開啓位置時供電給設備，都可能會導致發生意外。
  - 進行任何調整、更換配件或存放設備之前，請從設備上斷開電池組的連接。上述預防性安全措施可降低意外啓動設備的風險。
  - 請務必以製造商指定的充電器進行充電。適用於特定類型電池組的充電器如果用於其它類型電池組，可能會有發生火災的風險。
  - 請務必使用專為本設備設計的電池組。使用其他電池組可能會導致受傷和火災。
  - 電池組未使用時，請使其遠離金屬物體，例如迴紋針、硬幣、鑰匙、釘子、螺絲或其他小型金屬物體，這些物體可能會導致兩個端子連通。電池端子如果短路，可能會導致燃燒或火災。
  - 在惡劣的條件下，液體可能會從電池中噴出；請避免接觸。如果意外接觸到，請用水沖洗。如果液體接觸到眼睛，請另行尋求醫療協助。從電池中噴出的液體可能會造成刺激或灼傷。
  - 請勿使用已損壞或改裝的電池組或設備。已損壞或改裝的電池可能出現不可預知的結果，進而導致起火、爆炸或受傷等風險。
  - 請勿使電池組或設備曝露於火焰中或使其過熱。曝露於火焰中或高於 130 °C (265 °F) 的溫度可能會引起爆炸。
  - 請遵守所有充電說明，並且請勿在說明書中指定的溫度範圍之外為電池組或設備充電。不正確的充電或在規定範圍之外的溫度下充電，可能會損壞電池並增加起火的危險。
  - 請由合格的維修人員進行維修，並且僅使用相同的替換零件。如此可確保產品的安全性。
  - 除了使用和保養說明中所述的項目之外，請勿修改或嘗試修理本產品或電池組。

### 15. 電池盒的重要安全指示。

- 在使用電池盒之前，請閱讀 (1) 電池充電器、(2) 電池和 (3) 使用電池的產品上的所有說明和警告標誌。
- 請勿拆卸或篡改電池盒。否則可能會導致起火、過熱或爆炸。
- 如果可運作的時間變得非常短，請立即停止操作。否則可能會導致過熱、燒傷，甚至爆炸的風險。
- 如果電解液進入眼睛，請用清水沖洗並立即就醫。這種情況可能會導致喪失視力。
- 請勿使電池盒短路。
- 請勿將設備和電池盒存放在溫度可能達到或超過 50 °C (122 °F) 的位置，也請勿在上述環境中使用。
- 即使電池盒已嚴重損壞或電力完全用盡，也不要將其焚燒。電池盒可能會著火爆炸。
- 請勿對電池盒打釘、切割、擠壓、拋擲或摔落，或以堅硬物體撞擊電池盒，這類行為可能導致起火、過熱或爆炸。
- 請勿使用損壞的電池。
- 隨附的鋰離子電池符合「危險物品法規」的要求。若要進行商業運輸，例如第三方、貨運承攬商，必須注意包裝和標籤的特殊要求。準備將要運輸的物品時，必須諮詢危險物質專家，並請遵守可能更詳細的國家法規。用膠帶黏住或遮蓋曝露的接點，並包裹電池使其不會在包裝內移動。
- 請務必僅將電池用於 Makita 指定的產品。將電池安裝至不相容的產品上，可能會導致起火、過熱、爆炸或電解液洩漏。
- 如果長時間不使用設備，必須從設備中取出電池。
- 使用期間和使用之後，電池盒可能會發熱，這可能會導致燙傷或低溫灼傷。處理高溫的電池盒時，請特別小心。
- 請勿在使用之後立即觸碰設備的端子，因為其溫度可能會很高而導致燙傷。
- 請勿讓碎屑、灰塵或泥土卡在電池盒的端子、孔洞和凹槽中，否則可能會導致性能下降或造成設備或電池盒損壞。
- 除非設備支援在高壓電源線附近使用，否則請勿在高壓電源線附近使用電池盒，否則可能會導致工具或電池盒故障或損壞。
- 請將電池放置於兒童接觸不到的地方。

### 請保存以下指示。

**警告：**請務必僅使用 Makita 原廠電池。使用非原廠的 Makita 電池或改造過的電池可能會導致電池爆炸，引起火災、人身傷害和損壞。這也將使 Makita 設備和充電器的 Makita 保固失效。

### 16. 有關維持最長電池壽命的提示。

- 在電池完全放電之前，請為電池盒充電。  
發現設備電量不足時，請務必停止設備運作並為電池盒充電。
- 請勿為已充滿電的電池盒充電。  
過度充電會縮短電池的使用壽命。
- 請在 10 °C - 40 °C (50 °F - 104 °F) 的室溫中為電池盒充電。請讓高溫的電池盒冷卻後再充電。
- 不使用電池盒時，務必將電池盒從設備或充電器中取出。
- 如果電池盒將會長時間不使用（超過六個月），請將其充電。

## 功能說明

**警告：**  
調整或檢查設備功能之前，請務必確認設備電源已關閉，並已取出電池盒。

## 安裝或取出電池盒 (Fig. 2)

**警告：**  
安裝或拆卸電池盒之前，請務必關閉設備。

**注意：**  
安裝或取出電池盒時，請確實握住設備和電池盒。  
若未確實握住設備和電池盒，可能會從手中滑落，損壞設備和電池盒並造成人身傷害。

若要安裝電池盒，請將電池盒上的榫片對準外殼上的凹槽，然後將其滑入到位。將它完全插入，直到鎖定到位並發出咔嚓聲。如果可以看到圖上所示的紅色指示燈，則表示其未完全鎖緊。  
若要取出電池盒，請滑動電池盒正面的按鈕，同時將電池盒從設備上滑出。

**注意：**  
請務必將電池盒完全裝入，直到看不見紅色指示燈為止。否則，它可能會意外掉出設備，對您或周圍的人造成傷害。

**注意：**  
請勿強行安裝電池盒。如果無法輕易滑入電池盒，表示電池盒未正確插入。

## 指示剩餘電池容量 (Fig. 3)

按下電池盒上的檢查按鈕以顯示剩餘的電池容量。指示燈會亮起幾秒鐘。

指示燈			剩餘容量
亮起	熄滅	閃爍	
■	□	◐	75% 至 100%
■	■	□	50% 至 75%
■	□	□	25% 至 50%
■	□	□	0% 至 25%
◐	□	□	為電池充電。
■	■	□	電池可能已經故障。

**注：**  
依據使用條件和環境溫度，指示的容量可能與實際容量略有不同。

**注：**  
當電池保護系統運作時，第一個（最左邊）指示燈將會閃爍。

## 設備 / 電池保護系統

設備帶有保護系統，可自動切斷輸出電源，延長使用壽命。

### 過放電保護

當電池容量不足時，設備會自動停止。此時請從設備中取出電池，並為電池充電。

### 防止其他原因

保護系統的設計還應考慮可能損害設備的其他原因，並允許設備自動停止。當設備在運行過程中發生暫停或停止時，採取以下各項步驟清除原因。

1. 關停設備，然後再次打開開關進行重啓。
2. 給電池充電或更換為已充電電池。
3. 讓設備和電池冷卻。

如果恢復保護系統無改善，請聯繫當地的 Makita 服務中心。

## 打開燈光和亮度模式選擇 (Fig. 4)

**⚠ 注意：**  
請勿直視燈光或直視燈源。

1. 開關：亮度順序為：每按一次為高模式（開）/ 中模式 / 低模式 / 關。
2. 模式選擇器：點亮順序為：開關打開時每次按壓一次為整燈 / 固定燈部分 / 可折疊燈部分。

**注：**  
打開設備時，將延續您上次使用的亮燈模式。

## 低電量指示燈 (Fig. 5)

當電池電量不足時，除如圖所示的一個 LED 燈之外，其餘 LED 燈均熄滅。隨後大約五到十分鐘後，設備自動關閉。

## 操作

**⚠ 注意：**  
如 fig. 4 所示，當設備為直立放置時，旋轉 LED 燈條並將可折疊燈部分向下折疊，可以實現設備平衡穩定。否則，設備可能會翻倒並造成人身傷害。

## LED 燈條角度 (Fig. 6, Fig. 7)

**⚠ 注意：**  
調整光線角度時，請注意不要夾住手指。

**⚠ 注意：**  
確保固定燈和可折疊燈部分分別在折疊和展開位置鎖緊。

LED 燈條每 45° 可旋轉 7 個階段。（向右 90°，向左 180°）  
可折疊燈部分可以彎曲至 0° 或 180°。

## 掛鉤 (Fig. 8)

使用金屬鉤時，需將金屬鉤抬起並滑動至中心位置。

## 皮帶 (Fig. 9)

**⚠ 注意：**  
不得將環狀孔和帶孔用於安裝綁帶之目的外的任何目的。否則，可能造成人身傷害。

如圖所示，將皮帶安裝到設備上。



## 將托架夾安裝到伸縮鉤內 (Fig. 10, Fig. 11)

**注意：**  
將托架夾安裝到伸縮鉤內時，應小心操作避免夾到手指。

如圖所示，將托架夾安裝到伸縮鉤內。

**注：**  
確保每個托架夾都滑動到主燈條上的托架夾定位孔處。  
**注：**  
確保兩個托架夾的安裝方向一致。

## 將設備安裝到伸縮鉤上 (Fig. 12)

如圖所示，通過托架夾將設備安裝到伸縮鉤上。

**注：**  
確保每個托架夾均夾在設備的夾緊位置。

## 安裝伸縮鉤 (Fig. 13)

**注意：**  
切勿在伸縮鉤上懸掛除設備以外的任何物品。否則，可能損壞托鉤並造成人身傷害。

**注意：**  
使用前請確保各部件均固定牢固。

**注意：**  
安裝伸縮鉤時，握住主桿和托鉤進行操作。務必小心操作，避免手指夾傷，因為內桿在彈簧的作用下會返回初始位置。

握住托鉤，將其安裝到預期位置。

在張開伸縮鉤時，握住另一托鉤，將其安裝到預期位置（另一側）。

啓動設備並調整設備的照明角度，確保其照射如圖所示的預定位置。

**須知：**  
如果使用重型電池，只需旋轉 LED 燈條，即可調節照明角度。

## 維護

**注意：**  
嘗試進行檢查或維護之前，請務必確認設備電源已關閉，並已取出電池盒。

**須知：**  
切勿使用汽油、石油醚、稀釋劑、酒精或類似物品，否則可能會導致變色、變形或破裂。

為維持本產品的安全與可靠性，維護或調整以外的任何維修作業，皆必須由經過 Makita 授權者或工廠服務中心執行，並且應一律使用 Makita 替換零件。

## 清潔

**警告：**  
切勿在水中清洗設備。  
使用浸濕肥皂水的布不時地擦拭設備外部（設備主體）。

## 選購配件

**注意：**  
建議將這些配件或附件搭配本手冊中指定的 Makita 設備一起使用。使用其他配件或附件可能會導致人員受傷。請務必將配件或附件用於其指定用途。

如需協助以取得有關這些配件的詳細資訊，請諮詢當地的 Makita 服務中心。

- Makita 原廠電池和充電器

**注意：**  
清單中的部分專案可能作為標準附件包含於設備套件中。各國家 / 地區的配件可能不同。

台灣RoHS限用物質含有量標示  
請掃描右方QR Code或參考下列網址：  
<https://makita.com.tw/rohs/>



生產製造商名稱：Makita Corporation  
進口商名稱：台灣牧田股份有限公司

電話：02-8601-9898 傳真機：02-8601-2266  
地址：新北市24459 林口區文化三路二段 798 號

# Makita Europe N.V.

Jan-Baptist Vinkstraat 2, 3070 Kortenberg, Belgium

# Makita Corporation

3-11-8, Sumiyoshi-cho, Anjo, Aichi 446-8502 Japan

[www.makita.com](http://www.makita.com)



DML818-EU29L-HK(CE)-2306  
GER/CRE